

# Aquatec® ORCA / ORCA F / ORCA XL



en	Bath lift User Manual . . . . .	3
de	Badewannenlifter Gebrauchsanweisung . . . . .	27
fr	Élévateur de bain Manuel d'utilisation . . . . .	53
es	Elevador de bañera Manual del usuario . . . . .	79
it	Sollevatore da vasca Manuale d'uso . . . . .	105
nl	Badlift Gebruiksaanwijzing . . . . .	131
pt	Elevador de banheira Manual de utilização . . . . .	157
da	Badekarslift Brugsanvisning . . . . .	183
no	Badekarheis Bruksanvisning . . . . .	207
sv	Badkarslyft Bruksanvisning . . . . .	233
cs	Vanový zvedák Návod k obsluze . . . . .	257



This manual **MUST** be given to the user of the product.  
BEFORE using this product, read this manual and save for future reference.

**AQUATEC**



**Yes, you can.®**

©2017 Invacare® Corporation

All rights reserved. Reproduction, duplication or modification in whole or in part is prohibited without prior written permission from Invacare. Trademarks are identified by ™ and ®. All trademarks are owned by or licensed to Invacare Corporation or its subsidiaries unless otherwise noted.

---

# Contents

---

This manual MUST be given to the user of the product.  
BEFORE using this product, read this manual and save for future reference.

<b>1 General</b>	<b>4</b>
1.1 Information about the user manual	4
1.2 Symbols in this user manual	4
1.3 Warranty	4
1.4 Compliance	4
1.5 Intended use	5
1.6 Service life	5
<b>2 Safety</b>	<b>6</b>
2.1 Safety information	6
2.2 Safety information on electromagnetic compatibility	6
2.3 Labels and symbols on the product	7
<b>3 Setup</b>	<b>9</b>
3.1 Safety information	9
3.2 Scope of delivery	9
3.3 Setting up the bath lift	10
3.4 Charging the battery	13
<b>4 Usage</b>	<b>15</b>
4.1 Safety information	15
4.2 Controlling the bath lift	15
4.3 Bathing	16
<b>5 Transport</b>	<b>18</b>
5.1 Safety information	18
5.2 Removing the bath lift	18
<b>6 Maintenance</b>	<b>20</b>
6.1 Maintenance and servicing	20
6.2 Cleaning and disinfection	20

<b>7 After Use</b>	<b>22</b>
7.1 Storage	22
7.2 Re-use	22
7.3 Disposal	22
<b>8 Troubleshooting</b>	<b>23</b>
8.1 Identifying and repairing faults	23
<b>9 Technical data</b>	<b>25</b>
9.1 Dimensions and weight	25
9.2 Electronic data	25
9.3 Materials	26
9.4 Environmental Parameters	26

# 1 General

## 1.1 Information about the user manual

This user manual contains important information about the handling of the product. In order to ensure safety when using the product, read the user manual carefully and follow the safety instructions.

The position specifications (A, B, C, etc.) in the handling instructions always refer to the preceding figure.

## 1.2 Symbols in this user manual

In this user manual, warnings are marked with symbols. The title next to the warning symbol indicates the level of danger.



### WARNING

Indicates a dangerous situation which could lead to death or serious injury if not avoided.



### CAUTION

Indicates a dangerous situation which could lead to minor injuries if not avoided.



### IMPORTANT

Indicates a dangerous situation which could lead to damage if not avoided.



Useful tips, recommendations and information to ensure efficient and smooth operation.



This product complies with the directive 93/42/EEC for medical products. The launch date for this product is specified in the CE declaration of conformity.



Manufacturer

## 1.3 Warranty

We provide a manufacturer's warranty for the product in accordance with our General Terms and Conditions of Business in the respective countries. Warranty claims can only be made through the provider from whom the appliance was obtained.

Covers and suction cups are excluded from this.

## 1.4 Compliance

Quality is of the utmost importance for our company; all processes are based on the ISO 9001 and ISO 13485 standards.

This product features the CE mark, in compliance with the Medical Device Directive 93/42/EEC Class 1.

The product meets the requirements of the standards EN ISO 14971 (Medical devices - Application of risk management to medical devices), EN ISO 10535 (Hoists for the transfer of disabled persons).

It has a lift capacity greater than 1.5 times the nominal load.

Invacare® is continuously working towards ensuring that the company's impact on the environment, locally and globally, is reduced to a minimum.

- We comply with the current environmental legislation (e.g. WEEE and RoHS directives).
- We only use REACH compliant materials and components.

For further information please contact Invacare® in your country (for addresses, see back page of this manual).

## 1.5 Intended use

Bath lifts facilitate respectively allow the entry into and exit from the bathtub. They are intended solely as a bathing aid for people with reduced mobility. Any other use is prohibited.

### Indications

- Significant reduction in function / missing functionality of the upper and/or lower extremities (such as amputations, paralysis, joint disorders, neuromuscular disorders with impairment of the extremities), when a independent entry into and exit from the bathtub respectively sitting down and up is no longer possible; Trunk control and basic functional capability of the extremities must still be sufficient.
- Chronic consequences of illness with functional limitations of the upper and/or lower extremities, that no longer permit an independent bathing, however when a largely independent bathing is possible by the use of the bath lift and other bathing aids for compensating the disability are not sufficient.

### Contraindications

There are no contraindications associated with proper use.

## 1.6 Service life

The expected service life is five years, presuming that the product is used daily and in accordance with safety instructions, maintenance instructions and intended use, stated in this manual.

## 2 Safety

### 2.1 Safety information



#### **WARNING!**

- Do not use this product or any available optional equipment without first completely reading and understanding these instructions and any additional instructional material such as user manuals, service manuals or instruction sheets supplied with this product or optional equipment. Invacare product manuals are available on the internet or your local dealer (Addresses are displayed on the back cover of this manual).
- If you are unable to understand the warnings, cautions or instructions, please contact a healthcare professional, dealer or technical personnel before attempting to use this equipment – otherwise, injury or damage may occur.



#### **WARNING!**

#### **Risk of injury**

- Do not use if defective.
- In the event of a malfunction, contact your dealer immediately.
- Do not make any unauthorized changes or alterations to the product.
- Only use spare parts intended for this product.



#### **WARNING!**

#### **Risk of injury**

- Never stand on the bath lift to get into or out of the bathtub, do not use it for climbing or descending, as a lifting platform or for any similar purpose.



#### **IMPORTANT!**

- The information contained in this document is subject to change without notice.
- Check all parts for shipping damage and test before using.

### 2.2 Safety information on electromagnetic compatibility

This product was successfully tested to international standards for its electromagnetic compatibility. However, electromagnetic fields such as those generated by radio and television transmitters, radio equipment and mobile telephones, can influence the operation of products with electrical drives. The electronics used in this product can also cause weak electromagnetic interference but this lies below the statutory limits. You should therefore observe the following warnings:



**CAUTION!**

**Electromagnetic interference**

Wireless communications equipment such as WLAN routers, mobile phones, cordless telephones and their base stations or walkie-talkies can affect this equipment.

- Make sure that such devices are kept at least in a distance of 2 m away from the bath lift.



**CAUTION!**

**Electromagnetic interference**

Electromagnetic interference could cause the device to stop suddenly or (though this is extremely unlikely) to start moving of its own accord.

- Switch off the external device and/or your Invacare® product if you notice such behavior.
- If other electrically operated medical products cause a interference or are themselves disrupted, switch off your Invacare® product and contact your dealer.

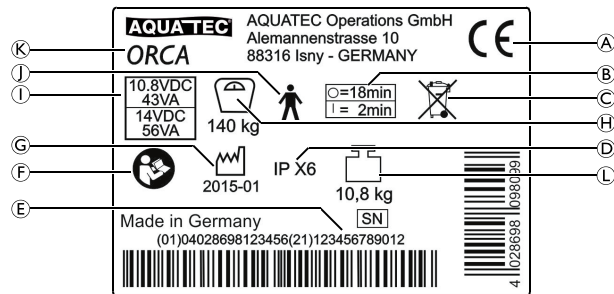


Guidance and manufacturer's declaration relating to electromagnetic emission and immunity are available on request from Invacare® in your country.

**2.3 Labels and symbols on the product**

**Identification label**

The identification label contains important information:



(A)	Conformity mark
(B)	Interval of use (continuous operation of the engine is not allowed): max. 2 minutes continuous use followed by a 18 minute break
(C)	Note (disposal)
(D)	Type of protection
(E)	Serial device number
(F)	Note (observe accompanying documents)
(G)	Production timeframe
(H)	Load capacity
(I)	Nominal voltage/ rated power, see 9.2 Electronic data, page 25
(J)	Type B applied part
(K)	Device designation
(L)	Product weight



The identification label is applied to the back of the backrest.



## 3 Setup

### 3.1 Safety information



#### IMPORTANT!

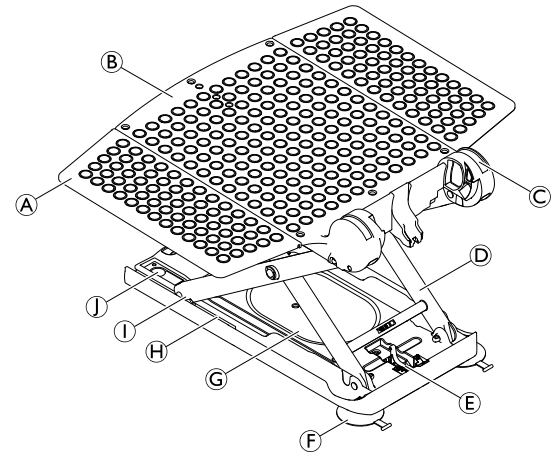
- Check the parts for transport damage before commissioning and contact the dealer if required.
- Ensure during assembly that the parts are positioned correctly with respect to one another.
- It is recommended to wash the covers before first use, see chapter 6.2 Cleaning and disinfection, page 20.

### 3.2 Scope of delivery

This user manual refers to the models ORCA, ORCA F and ORCA XL. These Models differ in weight and the maximum user weight, see section 9.1 Dimensions and weight, page 25. A seat- and backrest cover is optionally available for all three models. The backrest can not be lowered on model ORCA F.

The following components are included within the scope of delivery:

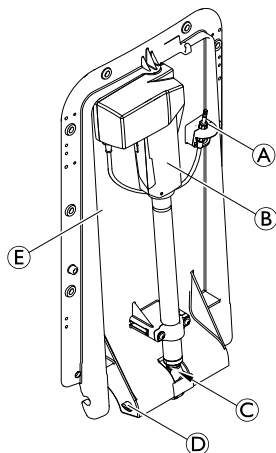
#### Seat



(A)	Side flap
(B)	Seat plate
(C)	Hinge for backrest
(D)	Lifting scissors
(E)	Spindle foot retainer
(F)	Rear suction cups (two tabs with thread)
(G)	Base plate
(H)	Guide for the sliding shoe

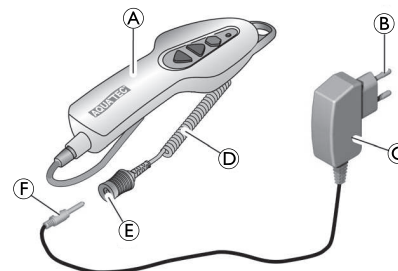
①	Sliding shoe
①	Front suction cups (one tab with head)

### Backrest



Ⓐ	Jack plug
Ⓑ	Drive
Ⓒ	Spindle foot
Ⓓ	Locking pin
Ⓔ	Plate, backrest

### Hand control and charger



Ⓐ	Hand control with battery
Ⓑ	Mains plug
Ⓒ	Charger
Ⓓ	Hand control spiral cable
Ⓔ	Jack socket of hand control
Ⓕ	Jack plug of charger

### 3.3 Setting up the bath lift



#### **WARNING!**

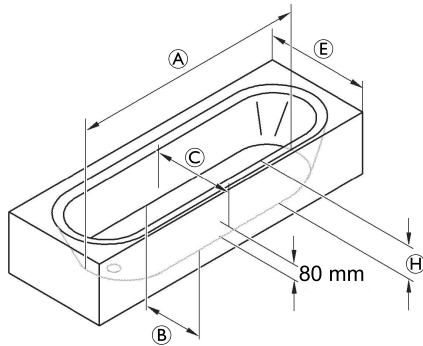
#### **Risk of slipping**

The bath lift can slip if the suction cups do not have a good hold.

- Clean the bathtub and the suction cups with a damp cloth before setting up the bath lift.
- Do not change the position of the bath lift in the bathtub once it is set up.

**WARNING!****Risk of injury and damage!**

- Only set up the bath lift in bathtubs that comply with the specifications of the following table.
- If a lateral overflow is present in the bath tub, use the special side flaps (available as an accessory).

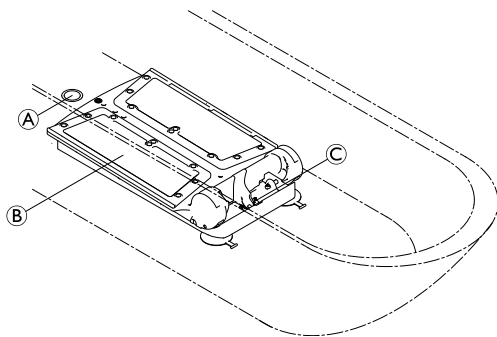


Ⓐ	Tub length, bottom	≥ 800 mm
Ⓑ	Tub width, bottom (inside)	min. 280 mm
Ⓒ	Tub width, at 80 mm height (inside)	≥ 430 mm

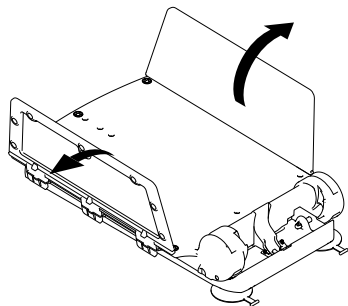
Ⓔ	Tub width (outside)	580 - 690 mm (with special side flaps) 700 - 740 mm (with standard side flaps) 750 - 1000 mm (with special side flaps)
Ⓕ	Tub height (inside)	≤ 420 mm (with height adapter, max. + 60 mm)

**IMPORTANT!**

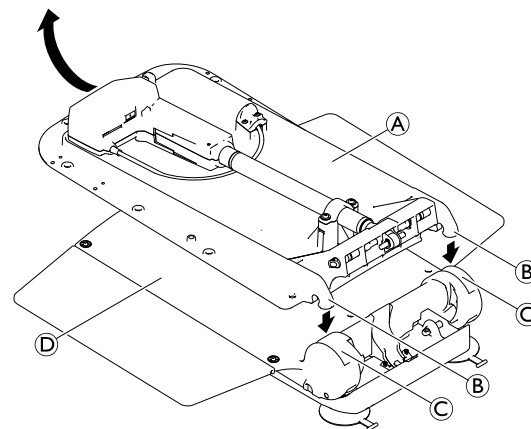
- Ensure that the suction cups are mounted.
- Ensure that the battery in the hand control is charged.
- Ensure that the spindle foot is fully inserted.
- When lifting bath lift components, remember to correctly assess the weights, see section 9.1 Dimensions and weight, page 25.
- If a handrail is mounted at the inside of the bathtub, use the side flap diverters (available as an accessory).
- Fold the side flaps outwards before raising the backrest.



1. Place the seat ② on the bottom of the empty bathtub. Ensure that the spindle foot retainer ③ is pointing towards the end of the bathtub opposite the drain ①.



2. Fold the side flaps of the seat outwards.



3. Place the backrest ① (without the hand control) onto the seat so that the hooks ② of the backrest fit into the hinges ③ of the seat plate ④.



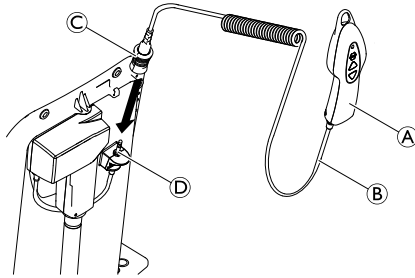
**IMPORTANT!**

**Risk of damage**

Damage to the product caused by the spindle foot slipping out.

- Ensure that the spindle is fully retracted and the spindle foot is level and not twisted, before folding up the backrest.
- Once the backrest is folded up, ensure that the spindle foot is in the spindle foot retainer.

4. Hold the backrest at the center of the head end and carefully lift it into the end position.



5. Plug the jack socket with the unlocking sleeve (C) on the spiral cable (B) of the hand control (A) to the jack plug (D) until the locking mechanism engages noticeably.

**!** **IMPORTANT!**  
**Risk of damage**

- Make sure that the backrest doesn't touch the bath tub edge.
- Place the bath lift further forwards in the bath tub, if necessary.

### 3.4 Charging the battery

The bath lift cannot be used when the battery is charging.



**WARNING!**

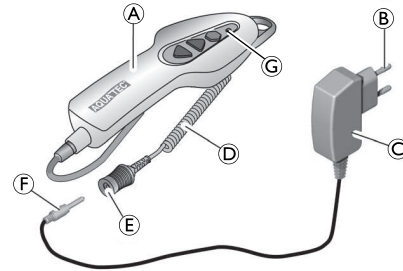
**Risk of electric shock**

- Only recharge the battery in dry rooms at room temperature (15 °C to 25 °C) and never in the bathroom.



**IMPORTANT!**

- Only use the charger supplied to charge the battery in the hand control.
- Only connect the charger to the mains when the hand control is connected to the charger.
- Make sure that the voltage specifications shown on the charger correspond to those of the mains supply.



1. Insert the jack plug (F) of the charger (C) into the jack socket (E) on the spiral cable (D) of the hand control (A) until it engages.
2. Insert the mains plug (B) of the charger into a power socket.



The red indicator lamp © on the hand control extinguishes when the battery is completely charged. It is not possible to „overcharge“ the battery.

3. Disconnect the charger from the power socket.
4. Pull the jack plug of the charger out of the jack socket of the hand control.

## 4 Usage

### 4.1 Safety information



#### CAUTION!

Overloading the bath lift can lead to damage to the device or prevent lifting.

- Do not overload the bath lift and observe the specifications on the identification label and in section 9.1 Dimensions and weight, page 25 with regard to its load capacity.



#### CAUTION!

##### Danger of pinching fingers

- Do not insert fingers into the guide between the seat plate and the backrest.
- Do not reach under the seat plate or between the lifting scissors.



#### IMPORTANT!

Moisture may penetrate into a damaged hand control, which could lead to a short circuit and fire.

- Always perform a visual inspection of the product for external damage before each use.
- If the housing of the hand control is damaged or shows cracks, do not use the hand control.
- Recharge the battery completely before each use, 3.4 Charging the battery, page 13.

1. Refer to operating conditions in section 9.4 Environmental Parameters, page 26.

### 4.2 Controlling the bath lift

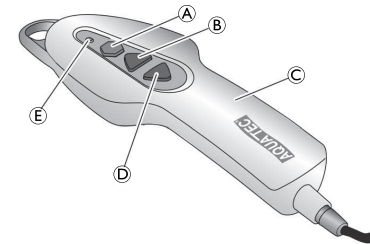
The bath lift can be moved in the following directions:



The bath lift is controlled via the hand control, either by the user or an assistant.



With a fully charged battery, the ORCA and ORCA F can perform 5 bathing operations with a load of 140 kg. The ORCA XL can perform 4 bathing operations with a load of 170 kg.



#### IMPORTANT!

##### Risk of damage

- The hand control may only be used when the backrest is properly installed and in the upright position.

**!** **IMPORTANT!**

If the battery in the hand control © is not sufficiently charged, the red indicator lamp ⑤ lights up red when the Down button ④ is pressed. In this case, the lowering function of the bath lift is disabled. You can however still raise the lift.

- Recharge the battery immediately after raising it.

### Raising the bath lift

**!** **IMPORTANT!**

If the backrest is lowered, it will move into the upright position first (not on model ORCA F).

1. Press the Up button ② on the hand control and keep it pressed.  
The backrest moves into the upright position or the seat moves upwards.
2. Release the Up button on the hand control.  
The bath lift stops in the current position.

### Lowering the bath lift

**!** **IMPORTANT!**

If the seat is already lowered, the backrest lowers towards the rear (not on model ORCA F).

1. Press the Down button ④ on the hand control and keep it pressed.  
The seat moves downwards or the backrest swivels to the rear.
2. Release the Down button on the hand control.  
The bath lift stops in the current position.

### Emergency off switch

**!** **IMPORTANT!**

Only press the Emergency Off button ① if the device does not stop immediately when the Up or Down button is released (e.g. if a button jams). The bath lift stops moving immediately and the red light integrated in the hand control lights up.

If the red indicator light goes out after the emergency off button is released, the fault has been rectified (e.g. button is released again). The device is ready to use again.

If the red indicator light stays on after the emergency off button is released, the fault has not yet been rectified. The device is not ready for use and must be repaired, e.g. in the event of damage to the electronics.



Contact your specialist dealer, if necessary.

## 4.3 Bathing



**WARNING!**

**Risk of slipping**

The bath lift can slip if the suction cups do not have a good hold.

- Before using the bath lift ensure that it is securely positioned and cannot tip over.
- Ensure that the bath lift is set up in the bathtub, → 3.3 Setting up the bath lift, page 10.



**WARNING!**


- If your condition means that you cannot take a bath on your own, only use the device with supervision.
- If operating the device without supervision, make sure to have an alarm system or telephone within reach in case of unforeseen events (e.g. malfunctions).


**CAUTION!**

- Bath oils or salts can impair the performance of the lifting scissors.
- If using such bath additives, do not exceed the recommended dose.

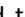
**IMPORTANT!**

- Run the unloaded lift once to the top and then back to the bottom (function test).
- Before using, check the temperature of the bath water.

1. Press and hold the Up button  until the seat is level with the edge of the bathtub.
2. Make sure that the side flaps are level with the seat and rest flat on the edge of the bathtub.
3. Fill the bath with water.
4. Sit on the side flap nearest to you as you would on a chair.
5. Slide backwards until you are sitting in the middle of the seat.
6. Turn yourself into the bathing position, by lifting one leg and then the other over the edge of the bathtub.

7. Once you are sitting correctly, press the Down button  and hold it down to lower the seat into the bathtub.




Once the seat has reached the lowest position, it is possible to recline the backrest by continuing to hold the Down button . This produces a more comfortable bathing position and allows you to immerse yourself deeper in the bath water (not on model ORCA F).

8. Keep the Down button pressed until the backrest has reached the desired position.



To get out of the bathtub, following these steps in reverse order.

9. To raise the backrest or the bath lift, press the Up button  and keep it pressed until it has reached the desired position.

**IMPORTANT!**

- Disconnect the hand control from the device when the bath lift is not in use, see section 5.2 Removing the bath lift, page 18, step 3.

## 5 Transport

### 5.1 Safety information



#### CAUTION!

The backrest is not locked on the seat when it is folded together and can come apart.

- Do not remove the suction cups when transporting the bath lift.
- Remove the hand control from the backrest for transport.
- Refer to the storage and shipping conditions in section 9.4 Environmental Parameters, page 26.

1. Remove the hand control.
2. Disassemble the bath lift into two sections for transport (seat and backrest), → 5.2 Removing the bath lift, page 18.

### 5.2 Removing the bath lift

1. Let the water out of the bathtub.
2. Lower the bath lift using the Down button until the backrest stops in the lowered end position, → 4.2 Controlling the bath lift, page 15.

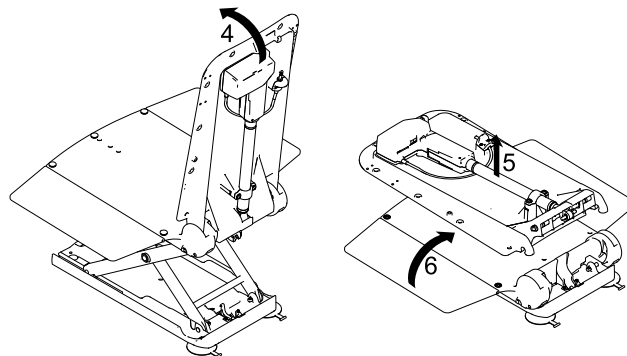
3. Unlock the jack socket on the spiral cable of the hand control by pushing up the unlocking sleeve and pull it off the jack plug.



#### IMPORTANT!

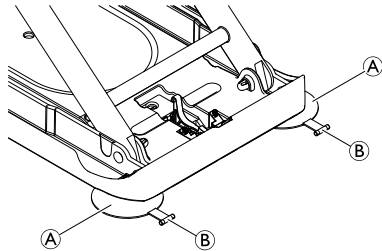
##### Risk of damage

- When folding the backrest down, ensure that spiral cable of the hand control does not become trapped.
- Do not fold the backrest down if there is water in the bathtub.



4. Hold the backrest at the head end with one hand and fold it forwards to the end position.
5. Pull the backrest up off the seat and out of the bathtub.

6. Fold the side flaps of the seat inwards.



**IMPORTANT!**

- Release both rear suction cups simultaneously.

7. Release the rear suction cup (A) by pulling up on its tab (B).
8. Lift the rear of the seat further. This releases the front suction cups.



**IMPORTANT!**

- If the height adapters have been installed (optional), you also have to pull the tabs of the front suction cups to release them.

9. Lift the seat out of the bathtub.
10. Carefully store all components of the bath lift.

## 6 Maintenance

### 6.1 Maintenance and servicing

The UK Health and Safety Executive's Lifting Operations and Lifting Equipment Regulations 1998 (LOLER), require any equipment that is used in the workplace (e.g. by a paid carer) to lift a load be subject to safety inspection on a six monthly basis. Please refer to the HSE web site for guidance [www.hse.gov.uk](http://www.hse.gov.uk). Link to HSE information document on LOLER in Health and Social Care: <http://www.hse.gov.uk/pubns/hsis4.pdf>

If the cleaning and safety notices are observed, the product will be maintenance free.

#### **!** IMPORTANT!

The hand control may only be opened by the manufacturer of the bath lift.

1. Check the product regularly for damage and to ensure that it is securely assembled.
2. In the event of damage and/or necessary repairs, contact the dealer immediately.
3. The bath lift must be checked by an authorized dealer before every re-use. It is recommended to check the bath lift after 24 months at the latest (in accordance with EN ISO 10535).
4. If the bath lift is not used for a prolonged period, charge the battery completely and then raise and lower the bath lift 3 times without load. Repeat this process every 3 months. This helps to maintain the service life of the battery.

### 6.2 Cleaning and disinfection

The product can be cleaned and disinfected using commercially available agents.

1. Disinfect the product by wiping down all generally accessible surfaces with disinfectant (after disassembling the product, if possible).

#### **!** IMPORTANT!

All cleaning agents and disinfectants used must be effective, compatible with one another and must protect the materials they are used to clean.

- For further information on decontamination in Healthcare Environments, please refer to 'The National Institute for Clinical Excellence' guidelines on Infection Control [www.nice.org.uk/CG139](http://www.nice.org.uk/CG139) and your local infection control policy.
- Clean the product regularly by hand.
- Do not use abrasive cleaning agents.

#### Cleaning the seat and backrest



#### **CAUTION!**


##### **Danger of pinching fingers**

- Be especially careful when cleaning in the area of the lifting scissors, as they may move and cause injury.

#### **!** IMPORTANT!

##### **Risk of damage**

- Never use a high-pressure cleaner to clean the backrest.

1. Wash the product using a cloth or a brush.
2. Rinse the product with warm water.
3. Dry the product with a cloth.
4. Lightly grease the guide for the sliding shoe (Fig. Sec. 3.1, ) using Vaseline.

### Cleaning the covers (optional)



It is recommended to wash the covers before first use. For hygienic reasons it is recommended to clean the covers regularly and exchange the covers yearly.

1. Unbutton the covers from the seat and backrest.
2. Wash the covers in a washing machine at max. 60 °C using a mild detergent.



#### **IMPORTANT!**

##### **Risk of damage**

- Washing at high temperatures can cause shrinkage.
- Do not dry covers in the tumble dryer.

### Cleaning the charger and hand control



#### **WARNING!**

##### **Risk of electric shock**

- Always disconnect the plug from the power socket before cleaning the charger.
- Never insert objects made of conductive material (e.g. knitting needles, metal pins) into the jack socket of the hand control.
- Never use a wet or damp cloth to clean the charger.

1. Clean the charger with a dry cloth.
2. Wipe the hand control with a damp cloth and dry it with a dry cloth.

## 7 After Use

### 7.1 Storage



#### **IMPORTANT!** **Risk of damage**

- Do not store the product near heat sources.
- Do not expose the product to direct sunlight.
- Refer to the storage and shipping conditions in section 9.4 Environmental Parameters, page 26.

### 7.2 Re-use

The product is suitable for repeated use. The number of times it can be used depends on how often and in which way the product is used. Before reuse, clean and disinfect the product thoroughly (→ 6.2 Cleaning and disinfection, page 20) and check the safety functions, and reset if necessary.

### 7.3 Disposal

The disposal and recycling of used products and packaging must be conducted in accordance with the applicable statutory regulations.



#### **WARNING!**

- Never throw the hand control into a fire or store it near naked flames.

Duty to inform in accordance with German Battery Directive, BattG:

This product contains a rechargeable lithium-ion battery. Discharged batteries or those which can no longer be

recharged must not be disposed of in domestic waste. Old batteries may contain hazardous substances which could be a danger to the environment and public health.

Please return such batteries to your retailer or to your municipal collection point. Returning them is free of charge and is required by law.

Please only throw discharged batteries into the containers provided and mask the poles of lithium batteries.

## 8 Troubleshooting

### 8.1 Identifying and repairing faults



The following table provides information on malfunctions and their possible causes. If you cannot correct the malfunction using the remedies named, please contact your dealer directly.

Fault	Possible cause	Remedy
No motor noise audible/lift does not move.	Jack socket of the hand control is not locked correctly.	Lock the jack socket, → 3.3 Setting up the bath lift, page 10.
	Battery is flat.	Recharge the battery completely, → 3.4 Charging the battery, page 13.
	Contacts are dirty.	Clean the plug on the backrest, → contact your dealer, if necessary.
	Cable is crushed/damaged.	Replace the hand control, → contact your dealer, if necessary.
The lift can be raised but not lowered.	Low-voltage protection is activated.	Recharge the battery completely, → 3.4 Charging the battery, page 13.
The lift stops while being raised.	Excessive load.	Observe maximum load, → 9.1 Dimensions and weight, page 25.
The bath lift is not adhering securely to the bathtub.	Suction cups are old or damaged.	Replace the suction cups, → contact your dealer, if necessary.
Battery is not charging and the red indicator light flashes during charging	Faulty electronics.	Have your authorized dealer check the hand control.
	Faulty battery.	Replace the hand control.

<b>Fault</b>	<b>Possible cause</b>	<b>Remedy</b>
	Faulty charger.	Have your authorized dealer check the charger.
	Battery is too hot.	Do not charge the hand control near heat sources, e.g. heating elements, in direct sunlight. Charging continues automatically once the temperature drops to within permissible limits.



## 9 Technical data

### 9.1 Dimensions and weight

Total length at lowest position	920 mm
Total length at highest position	650 mm
Total height at highest position	1075 mm
Seat length	590 mm
Seat width with side flaps folded out	715 mm
Seat width with side flaps folded in	390 mm
Seat height at lowest position	60 mm
Seat height at highest position	420 mm
Backrest width	360 mm
Minimum angle of backrest	8°
Base plate width	295 mm
Max. load (ORCA / ORCA F) Max. load (ORCA XL)	140 kg 170 kg
Total weight without hand control (ORCA) (ORCA F) (ORCA XL)	10,8 kg 11,4 kg 11,6 kg
Seat weight (ORCA) (ORCA F) (ORCA XL)	6,6 kg 7,2 kg 7,4 kg
Backrest weight (ORCA / ORCA F / ORCA XL)	4,2 kg

Hand control weight	0,4 kg
Charger weight	0,1 kg

### 9.2 Electronic data

Activation force for the buttons of the hand control	< 5 N
Hand control operating voltage <sup>1)</sup>	10.8 V DC / 14 V DC
Rated input power <sup>1)</sup>	43 VA / 56 VA
Rated current	4 A
Battery type	Lithium-ion
Charger input	100 - 240 V AC, 50 - 60 Hz
Charger output	24 V DC, 135 mA, 3 VA
Charge time from low-voltage warning	approx. 4.5 h
Type of protection, drive	IP X6 W <sup>2)</sup>
Type of protection, hand control	IP 67 <sup>3)</sup>
Type of protection, entire device	IP X6 <sup>4)</sup>
Sound power level	52 dB(A)

<sup>1)</sup> 10,8 V DC / 43 VA valid when using hand controls with voltage 10.8 V, indicated on the back of the hand control.


14 V DC / 56 VA valid when using hand controls with voltage 14 V, indicated on the back of the hand control.

- 2) Protected against the penetration of water in the event of strong jets of water, tested under stipulated weather conditions.
- 3) Dust-proof and protected against the penetration of water during temporary immersion.
- 4) Protected against the penetration of water in the event of strong jets of water.

Relative humidity	30 % - 75 %, non-condensing
Atmospheric pressure	795 - 1060 hPa

### 9.3 Materials

Backrest	PPGF
Seatplate	PPGF
Covers	PVC

 All materials used are corrosion resistant and latex free.

### 9.4 Environmental Parameters

<b>Operating conditions</b>	
Ambient temperature	10 - 40 °C
Relative humidity	15 % - 93 %, non-condensing
Atmospheric pressure	795 - 1060 hPa
<b>Storage and shipping conditions</b>	
Ambient temperature	0 - 40 °C

---

# Inhaltsverzeichnis

---

Diese Gebrauchsanweisung muss dem Benutzer des Produkts ausgehändigt werden. Lesen Sie diese Gebrauchsanweisung vor Verwendung des Produktes und bewahren Sie sie für den weiteren Gebrauch auf.

<b>1 Allgemein</b>	<b>28</b>
1.1 Allgemeine Informationen	28
1.2 Symbole in dieser Gebrauchsanweisung	28
1.3 Garantie	28
1.4 Konformität	28
1.5 Bestimmungsgemäße Verwendung	29
1.6 Nutzungsdauer	29
<b>2 Sicherheit</b>	<b>30</b>
2.1 Sicherheitsinformationen	30
2.2 Sicherheitsinformationen zur elektromagnetischen Verträglichkeit	30
2.3 Schilder und Symbole auf dem Produkt	31
<b>3 Inbetriebnahme</b>	<b>33</b>
3.1 Sicherheitsinformationen	33
3.2 Lieferumfang	33
3.3 Badewannenlifter aufbauen	34
3.4 Akku laden	37
<b>4 Verwenden</b>	<b>39</b>
4.1 Sicherheitsinformationen	39
4.2 Badewannenlifter steuern	39
4.3 Baden	41
<b>5 Transport</b>	<b>43</b>
5.1 Sicherheitsinformationen	43
5.2 Badewannenlifter abbauen	43
<b>6 Instandhaltung</b>	<b>45</b>
6.1 Wartung und Inspektion	45

6.2 Reinigung und Desinfektion	45
<b>7 Nach dem Gebrauch</b>	<b>47</b>
7.1 Lagerung	47
7.2 Wiederverwendung	47
7.3 Entsorgung	47
<b>8 Problembehandlung</b>	<b>48</b>
8.1 Störungen erkennen und beheben	48
<b>9 Technische Daten</b>	<b>50</b>
9.1 Abmessungen und Gewicht	50
9.2 Elektronische Daten	50
9.3 Materialien	51
9.4 Umweltparameter	51

# 1 Allgemein

## 1.1 Allgemeine Informationen

Diese Gebrauchsanweisung enthält wichtige Informationen zur Handhabung des Produkts. Lesen Sie die Gebrauchsanweisung sorgfältig und befolgen Sie die Sicherheitshinweise, um Ihre Sicherheit bei der Verwendung des Produkts zu gewährleisten. Die Positionsangaben (A, B, C, usw.) in den Handlungsanweisungen beziehen sich immer auf die vorangestellte Grafik.

## 1.2 Symbole in dieser Gebrauchsanweisung

Warnungen sind in dieser Gebrauchsanweisung mit Symbolen gekennzeichnet. Die Definition neben dem Warnsymbol weist auf den Grad der Gefährlichkeit hin.



### WARNUNG

Weist auf eine gefährliche Situation hin, die bei Nichtbeachtung zum Tod oder zu schweren Verletzungen führen könnte.



### VORSICHT

Weist auf eine gefährliche Situation hin, die bei Nichtbeachtung zu leichten Verletzungen führen könnte.



### WICHTIG

Weist auf eine gefährliche Situation hin, die bei Nichtbeachtung zu Beschädigungen führen könnte.



Nützliche Tipps, Empfehlungen und Informationen, um eine effiziente und reibungslose Verwendung zu gewährleisten.



Dieses Produkt entspricht der Richtlinie 93/42/EWG für Medizinprodukte. Der Markteinführungszeitpunkt für dieses Produkt ist in der CE-Konformitätserklärung festgelegt.



Hersteller

## 1.3 Garantie

Wir gewähren für das Produkt eine Herstellergarantie gemäß unseren Allgemeinen Geschäftsbedingungen für das entsprechende Land. Gewährleistungsansprüche können nur über den Händler geltend gemacht werden, von dem das Produkt bezogen wurde.

Ausgenommen hiervon sind Bezüge und Sauger.

## 1.4 Konformität

Qualität steht für unser Unternehmen an erster Stelle. Sämtliche Verfahren basieren auf den ISO-Normen 9001 und 13485.

Dieses Produkt trägt die CE-Kennzeichnung in Übereinstimmung mit der Richtlinie 93/42/EWG über Medizinprodukte, Klasse I.

Das Produkt erfüllt die Anforderungen der Normen EN ISO 14971 (Medizinprodukte – Anwendung des Risikomanagements auf Medizinprodukte) sowie EN ISO

10535 (Patientenlifter zum Umsetzen behinderter Menschen - Anforderungen und Prüfverfahren).

Die Hebekapazität des Produkts beträgt mehr als das 1,5-Fache der nominalen Belastung.

Invacare® setzt sich kontinuierlich dafür ein, die Umwelt durch seine Unternehmenstätigkeit sowohl direkt vor Ort als auch weltweit möglichst wenig zu beeinträchtigen.

- Wir halten die aktuellen Umweltschutzbestimmungen (z. B. die Richtlinien über Elektro- und Elektronik-Altgeräte (WEEE) und die RoHS-Verordnung) ein.
- Wir verwenden ausschließlich REACH-konforme Materialien und Bauteile.

Weitere Informationen erhalten Sie bei der Niederlassung von Invacare® in Ihrem Land (Anschriften finden Sie auf der Rückseite dieser Gebrauchsanweisung).

## 1.5 Bestimmungsgemäße Verwendung

Badewannenlifter erleichtern bzw. ermöglichen den Einstieg in die bzw. den Ausstieg aus der Badewanne. Sie sind ausschließlich als Badehilfe für Personen mit eingeschränkter Bewegungsfähigkeit bestimmt. Jede weitere Verwendung ist nicht erlaubt.

Der Badewannenlifter ist für den Einsatz in Kliniken, Pflegeeinrichtungen sowie im privaten, häuslichen Bereich bestimmt.

## Indikationen

- Erhebliche Funktionsminderung/fehlende Funktionsfähigkeit der oberen und/oder unteren Extremitäten (z.B. Amputationen, Lähmungen, Gelenkerkrankungen, neuromuskulären Erkrankungen mit Beeinträchtigung der Extremitäten), wenn ein weitgehend selbständiges Ein- und Aussteigen aus der Badewanne bzw. Hin- und Aufsetzen nicht mehr möglich ist; Rumpfkontrolle und eine Restfunktionsfähigkeit der Extremitäten müssen noch ausreichend vorhanden sein.
- Chronische Krankheitsfolgen mit Funktionseinschränkungen der unteren und/oder oberen Extremitäten, die ein selbständiges Baden nicht mehr zulassen, wenn durch die Benutzung des Badewannenlifters jedoch ein weitgehend eigenständiges Baden ermöglicht wird und andere Badehilfen zum Ausgleich der Behinderung nicht ausreichen.

## Kontraindikationen

Bei richtiger Anwendung sind keine Kontraindikationen bekannt.

## 1.6 Nutzungsdauer

Die zu erwartende Nutzungsdauer beträgt bei täglicher und bestimmungsgemäßer Verwendung fünf Jahre. Voraussetzung dafür sind die Einhaltung der Wartungs- und Sicherheitsvorschriften, die in dieser Gebrauchsanweisung angegeben sind.

## 2 Sicherheit

### 2.1 Sicherheitsinformationen



#### WARNUNG!

- Verwenden Sie dieses Produkt oder optionales Zubehör erst, nachdem Sie diese Anweisungen und mögliches zusätzliches Anweisungsmaterial, wie zum Produkt oder optionalen Zubehör gehörende Gebrauchsanweisungen, Servicehandbücher oder Merkblätter, vollständig gelesen und verstanden haben. Invacare-Produktanweisungen erhalten Sie im Internet oder bei Ihrem Händler vor Ort (Anschriften finden Sie auf der Rückseite dieser Gebrauchsanweisung).
- Falls die Warnungen, Sicherheitshinweise und Anweisungen unverständlich sind, wenden Sie sich bitte an einen Mitarbeiter des Pflegepersonals, den zuständigen Händler oder den technischen Kundendienst von Invacare, bevor Sie die Ausrüstung verwenden. Andernfalls kann es zu Verletzungen und Sachschäden kommen.



#### WARNUNG!

##### Verletzungsrisiko

- Defekte Produkte nicht verwenden.
- Wenden Sie sich im Falle einer Fehlfunktion bitte sofort an Ihren Händler.
- Keine unbefugten Änderungen am Produkt vornehmen.
- Nur Ersatzteile verwenden, die für dieses Produkt bestimmt sind.



#### WARNUNG!

##### Verletzungsrisiko

- Stellen Sie sich niemals auf den Badewannenlifter, um in die Badewanne ein- oder aus ihr auszusteigen; verwenden Sie ihn auch nicht zum Hoch- oder Hinabsteigen, als Hebeplattform oder für einen ähnlichen Zweck.



#### WICHTIG!

- Die in diesem Handbuch enthaltenen Informationen können jederzeit ohne vorherige Ankündigung geändert werden.
- Überprüfen Sie alle Teile vor ihrer Verwendung auf Transportschäden und testen Sie sie.

### 2.2 Sicherheitsinformationen zur elektromagnetischen Verträglichkeit

Dieses Produkt wurde erfolgreich nach internationalen Normen auf seine elektromagnetische Verträglichkeit hin geprüft. Allerdings können elektromagnetische Felder,

wie sie von Radio- und Fernsehsendern, Funkgeräten und Mobiltelefonen erzeugt werden, die Funktion von Produkten mit elektrischem Antrieb beeinflussen. Die, in diesem Produkt verwendete Elektronik kann ebenfalls schwache elektromagnetische Störungen verursachen, die aber unterhalb der gesetzlichen Grenzen liegen. Beachten Sie daher folgende Hinweise:



### VORSICHT!

#### Elektromagnetische Störungen

Drahtlose Kommunikationsgeräte wie WLAN-Router, Mobiltelefone, schnurlose Telefone und deren Basisstationen oder Walkie-Talkies können dieses Gerät beeinträchtigen.

- Sicherstellen, dass sich solche Geräte in einem Mindestabstand von 2 m zum Badewannenlifter befinden.



### VORSICHT!

#### Elektromagnetische Störungen

Durch elektromagnetische Störeinflüsse könnte der Badewannenlifter plötzlich stehen bleiben oder (äußerst unwahrscheinlich) selbstständig losfahren.

- Fremdgerät und/oder Ihren Badewannenlifter ausschalten, wenn ein solches Verhalten bemerkt wird.
- Wenn andere, mitgeführte, elektrisch betriebene Medizinprodukte eine Störung verursachen oder selber gestört werden, Badewannenlifter ausschalten und Fachhändler kontaktieren.

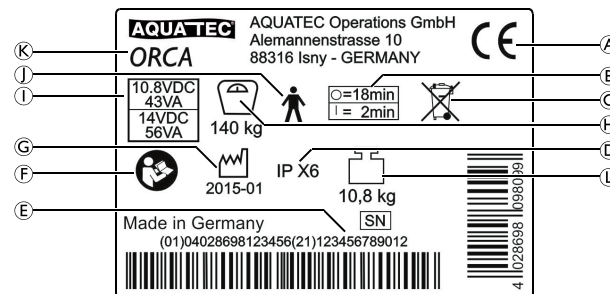


Leitlinien und Herstellererklärung bezüglich der Elektromagnetischen Aussendung und Störfestigkeit sind auf Anfrage bei der Invacare®-Niederlassung ihres Landes erhältlich.

## 2.3 Schilder und Symbole auf dem Produkt

### Typenschild

Dem Typenschild können Sie wichtige Informationen entnehmen:



Ⓐ	Konformitätskennzeichen
Ⓑ	Benutzungsintervall (Dauerbetrieb des Motors nicht zulässig): max. 2 Minuten Dauerbetrieb gefolgt von 18 Minuten Pause
Ⓒ	Hinweis (Entsorgung)
Ⓓ	Schutzart
Ⓔ	Laufende Gerätenummer

Ⓕ	Hinweis (Begleitpapiere beachten)
Ⓖ	Produktionsdatum
Ⓗ	Belastbarkeit
Ⓘ	Nennspannung / Nennaufnahmeleistung, siehe 9.2 Elektronische Daten, Seite 50
Ⓝ	Anwendungsteil des Typs B
Ⓚ	Gerätebezeichnung
Ⓛ	Produktgewicht



Das Typenschild ist auf der Rückseite der Rückenlehne angebracht.



## 3 Inbetriebnahme

### 3.1 Sicherheitsinformationen



#### WICHTIG!

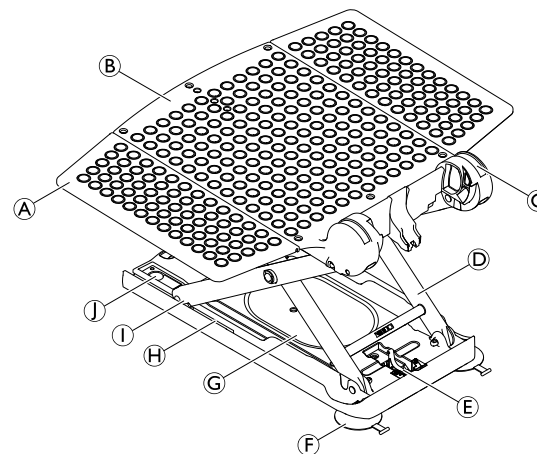
- Überprüfen Sie die Teile vor Inbetriebnahme auf Transportschäden und wenden Sie sich im Bedarfsfall an den Händler.
- Achten Sie während der Montage darauf, dass die Teile korrekt aufeinander ausgerichtet werden.
- Es wird empfohlen, die Bezüge vor dem ersten Gebrauch zu waschen (siehe Kapitel 6.2 Reinigung und Desinfektion, Seite 45).

### 3.2 Lieferumfang

Diese Gebrauchsanweisung bezieht sich auf die Modelle ORCA, ORCA F und ORCA XL. Die Modelle unterscheiden sich im Gewicht und der maximalen Belastung durch den Benutzer, siehe Abschnitt 9.1 Abmessungen und Gewicht, Seite 50. Für alle drei Modelle ist optional ein Sitz- und Rückenbezug erhältlich. Bei Modell ORCA F kann die Rückenlehne nicht abgesenkt werden.

Im Lieferumfang sind folgende Teile enthalten:

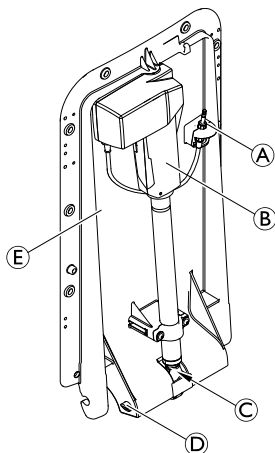
### Sitz



(A)	Seitenklappe
(B)	Sitzplatte
(C)	Scharnier für Rückenlehne
(D)	Hubschere
(E)	Spindelfußaufnahme
(F)	Hinterer Sauger (zweilaschig mit Gewinde)
(G)	Grundplatte
(H)	Führung für Gleitschuh

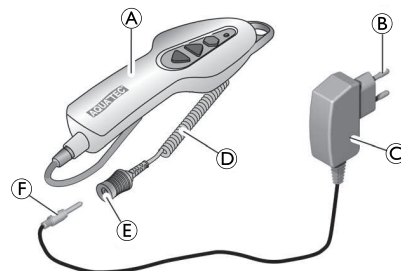
①	Gleitschuh
①	Vorderer Sauger (einlaschig mit Kopf)

## Rückenlehne



(A)	Klinkenstecker
(B)	Antrieb
(C)	Spindelfuß
(D)	Verriegelungsbolzen
(E)	Platte Rückenlehne

## Handbedienteil und Ladegerät



(A)	Handbedienteil mit Akku
(B)	Netzstecker
(C)	Ladegerät
(D)	Spiralkabel Handbedienteil
(E)	Klinkenbuchse Handbedienteil
(F)	Klinkenstecker Ladegerät

## 3.3 Badewannenlifter aufbauen



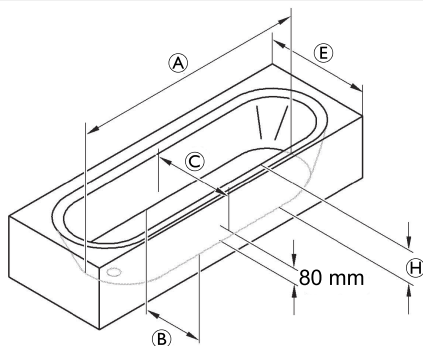
### **WARNUNG!** **Rutschgefahr!**

Der Badewannenlifter kann durch schlecht haftende Sauger wegrutschen.

- Vor dem Aufstellen die Badewanne und die Sauger mit einem feuchten Tuch reinigen.
- Position des aufgestellten Badewannenlifters in der Badewanne nicht verändern.

**WARNUNG!****Verletzungs- und Beschädigungsfahr!**

- Den Badewannenlifter nur in Badewannen aufbauen, die den Angaben der nachfolgenden Tabelle entsprechen.
- Bei seitlichen Überläufen gegebenenfalls Sonder-Seitenklappen verwenden (als Zubehör erhältlich).

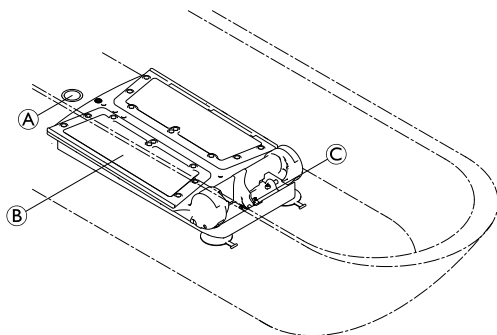


Ⓐ	Wannenlänge, unten (innen)	≥ 800 mm
Ⓑ	Wannenbreite unten (innen)	min. 280 mm
Ⓒ	Wannenbreite in 80 mm Höhe (innen)	≥ 430 mm

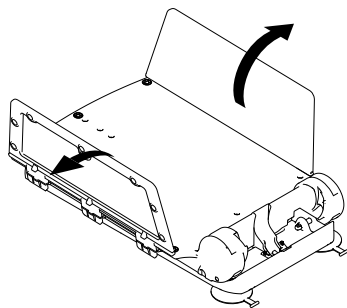
Ⓔ	Wannenbreite (außen)	580 - 690 mm (mit Sonder-Seitenklappen) 700 - 740 mm (mit Standard-Seitenklappen) 750 - 1000 mm (mit Sonder-Seitenklappen)
Ⓕ	Wannenhöhe (innen)	≤ 420 mm (mit Höhenadapter max. + 60 mm)

**WICHTIG!**

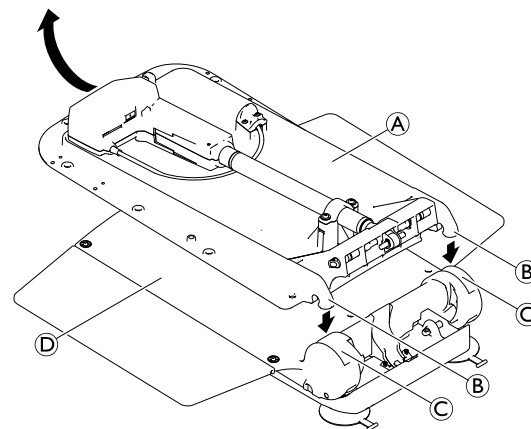
- Sicherstellen, dass die Sauger montiert sind.
- Sicherstellen, dass der Akku im Handbedienteil geladen ist.
- Sicherstellen, dass der Spindelfuß ganz eingefahren ist.
- Beim Heben der Komponenten des Badewannenlifters die Gewichte richtig einschätzen, siehe Abschnitt 9.1 Abmessungen und Gewicht, Seite 50.
- Wenn in der Badewanne ein Haltegriff montiert ist, den Seitenklappenabweiser benutzen (erhältlich als Zubehör).
- Seitenklappen vor dem Aufsetzen der Rückenlehne nach außen klappen.



1. Den Sitz **B** auf den Boden der leeren Badewanne stellen. Darauf achten, dass die Spindelfußaufnahme **C** dabei zum Badewannenende zeigt, das dem Ablauf **A** gegenüberliegt.



2. Die Seitenklappen am Sitz nach außen klappen.



3. Die Rückenlehne **A** (ohne Handbedienteil) so auf den Sitz legen, dass die Haken **B** der Rückenlehne in die Scharniere **C** der Sitzplatte **D** eingreifen.



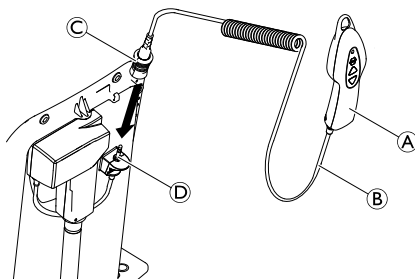
### WICHTIG!

#### Beschädigungsgefahr!

Defekt am Produkt durch Herausrutschen des Spindelfußes.

- Vor dem Hochklappen der Rückenlehne sicherstellen, dass die Spindel ganz eingefahren ist und der Spindelfuß waagrecht steht und nicht verdreht ist.
- Nach dem Hochklappen der Rückenlehne sicherstellen, dass der Spindelfuß in der Spindelfußaufnahme steht.

4. Die Rückenlehne mittig am Kopfende langsam bis in Endstellung anheben.



5. Die Klinkenbuchse mit Entriegelungshülse © am Spiralkabel © des Handbedienteils © auf den Klinkenstecker © aufstecken, bis die Verriegelung spürbar einrastet.



### WICHTIG!

#### Beschädigungsgefahr

- Sicherstellen, dass die Rückenlehne nicht am Badewannenrand anliegt.
- Gegebenenfalls den Badewannenlifter weiter vorne in der Wanne platzieren.

## 3.4 Akku laden

Während des Ladevorgangs kann der Badewannenlifter nicht verwendet werden.



### WARNUNG!

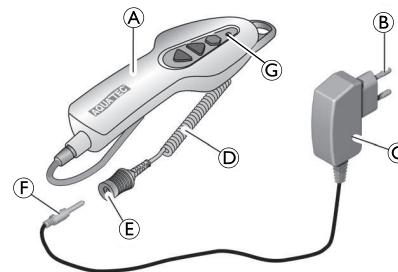
#### Stromschlaggefahr

- Den Akku nur in trockenen Räumen bei Raumtemperatur (15 – 25 °C) und nie im Badezimmer aufladen.



### WICHTIG!

- Zum Laden des Akkus im Handbedienteil ausschließlich das mitgelieferte Ladegerät (Aquatec®ORCA / ORCA F / ORCA XL) benutzen.
- Ladegerät nur mit dem Stromnetz verbinden, wenn das Handbedienteil am Ladegerät angeschlossen ist.
- Darauf achten, dass die Spannungsangabe auf dem Ladegerät mit der Spannung Ihres Stromnetzes übereinstimmt.
- Handbedienteil während dem Laden nicht abdecken.



1. Den Klinkenstecker ⑥ des Ladegeräts ③ bis zum Anschlag in die Klinkenbuchse ⑤ am Spiralkabel ④ des Handbedienteils ① stecken.
2. Den Netzstecker ② des Ladegerätes in eine Steckdose stecken.



Die rote Kontroll-Leuchte ⑦ am Handbedienteil erlischt, wenn der Akku vollständig geladen ist. Ein „Überladen“ des Akkus ist nicht möglich.

3. Den Netzstecker des Ladegerätes aus der Steckdose ziehen.
4. Den Klinkenstecker des Ladegerätes aus der Klinkenbuchse am Handbedienteil ziehen.

## 4 Verwenden

### 4.1 Sicherheitsinformationen



#### VORSICHT!

Wenn Sie den Badewannenlifter überlasten, kann dies zu Schäden am Gerät führen oder das Heben verhindern.

- Den Badewannenlifter nicht überlasten und bezüglich der Tragfähigkeit die Angaben auf dem Typschild und im Abschnitt 9.1 Abmessungen und Gewicht, Seite 50 beachten.



#### VORSICHT!

#### Einklemmgefahr der Finger

- Nicht in die Führung zwischen Sitzplatte und Rückenlehne greifen.
- Nicht unter die Sitzplatte oder zwischen die Hubscheren greifen.



#### WICHTIG!

In ein beschädigtes Handbedienteil kann Feuchtigkeit eindringen, was einen Kurzschluss mit Brandentwicklung verursachen könnte.

- Führen Sie vor jedem Einsatz des Produkts eine Sichtkontrolle auf äußere Schäden durch.
- Verwenden Sie das Handbedienteil nicht, wenn das Gehäuse des Handbedienteils beschädigt ist oder Risse aufweist.
- Laden Sie die Batterie immer vollständig auf, bevor Sie das Gerät verwenden, 3.4 Akku laden, Seite 37.

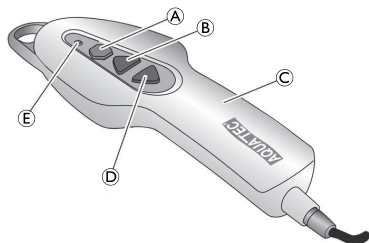
1. Beachten Sie die Betriebsbedingungen in Abschnitt 9.4 Umweltparameter, Seite 51.

### 4.2 Badewannenlifter steuern

Der Badewannenlifter kann in folgende Richtungen gesteuert werden:



Das Steuern des Badewannenlifters erfolgt über das Handbedienteil, entweder vom Anwender selbst oder von einer Hilfsperson.



**!** **WICHTIG!**  
**Beschädigungsgefahr**

– Tasten des Handbedienteils nur bei eingebauter und aufgestellter Rückenlehne betätigen.

**!** **WICHTIG!**  
Falls der Akku im Handbedienteil © nicht ausreichend geladen ist, leuchtet die rote Kontroll-Leuchte ⑤ bei gedrückter Ab-Taste ④ rot. Die Absenkfunktion des Badewannenlifthers wird gesperrt. Das Hochfahren ist jedoch noch möglich.  
– Den Akku in diesem Fall nach dem Hochfahren sofort wieder aufladen.

**i** Bei vollständig geladenem Akku können beim ORCA und ORCA F bei 140 kg Last 5 Badevorgänge ausgeführt werden. Beim ORCA XL bei 170 kg Last können 4 Badevorgänge ausgeführt werden.

### Badewannenliffter heben

**!** **WICHTIG!**  
Ist die Rückenlehne abgesenkt, schwenkt zuerst die Rückenlehne in die aufrechte Position (nicht bei ORCA F).

1. Die Auf-Taste ② am Handbedienteil drücken und gedrückt halten.  
Die Rückenlehne schwenkt in die aufrechte Position, bzw. der Sitz fährt nach oben.
2. Die Auf-Taste am Handbedienteil loslassen.  
Der Badewannenliffter stoppt in der aktuellen Position.

### Badewannenliffter senken

**!** **WICHTIG!**  
Ist der Sitz bereits abgesenkt, senkt sich die Rückenlehne nach hinten ab (nicht bei ORCA F).

1. Die Ab-Taste ④ am Handbedienteil drücken und gedrückt halten.  
Der Sitz fährt nach unten, bzw. die Rückenlehne schwenkt nach hinten.
2. Die Ab-Taste am Handbedienteil loslassen.  
Der Badewannenliffter stoppt in der aktuellen Position.



## Not-Aus-Taste



### WICHTIG!

Not-Aus-Taste (ⓐ) nur drücken, wenn das Gerät nach dem Loslassen der Auf- oder Ab-Taste nicht sofort stehen bleibt (z. B. beim Verklemmen einer Taste). Die Bewegung des Badewannenlifters wird sofort gestoppt und die rote Kontroll- Leuchte, die in das Handbedienteil integriert ist, leuchtet.

Wenn die rote Kontroll-Leuchte nach dem Loslassen der Not-Aus- Taste erlischt, wurde der Fehler behoben (z. B. Taste wieder gelöst). Das Gerät ist wieder betriebsbereit.

Wenn die rote Kontroll-Leuchte nach dem Loslassen der Not-Aus- Taste weiterhin leuchtet, wurde der Fehler noch nicht behoben. Das Gerät ist nicht betriebsbereit und muss repariert werden (z. B. bei einem Elektronikschaden).



Gegebenenfalls Fachhändler kontaktieren.

## 4.3 Baden



### WARNUNG! Rutschgefahr!

Der Badewannenlifter kann durch schlecht haftende Sauger wegrutschen.

- Vor der Benutzung den rutschsicheren und kipp-sicheren Stand des Badewannenlifters in der Badewanne sicherstellen.
- Sicherstellen, dass der Badewannenlifter wie im Abschnitt 3.3 Badewannenlifter aufbauen, Seite 34 beschrieben in der Badewanne aufgebaut ist.



### WARNUNG!

- Nur unter Aufsicht baden, wenn der Gesundheitszustand ein selbstständiges Baden nicht erlaubt.
- Wenn Sie das Gerät ohne Aufsicht benutzen, stellen Sie sicher, dass Sie im Falle eines unvorhergesehenen Ereignisses (z. B. einer Fehlfunktion) ein Alarmsystem oder ein Telefon erreichen können.



### VORSICHT!

Badeöle oder Badesalze können das Gleitverhalten der Hubschere beeinträchtigen.

- Bei der Verwendung von Badezusätzen auf die empfohlene Dosierung achten.

**!** **WICHTIG!**

- Den unbelasteten Badewannenlifter vor dem Baden einmal nach oben und wieder nach unten fahren (Funktionstest).
- Vor der Benutzung die Temperatur des Badewassers prüfen.

1. Auf-Taste **Ⓑ** solange drücken, bis der Sitz auf gleicher Höhe mit dem Badewannenrand ist.
2. Sicherstellen, dass die Seitenklappen mit dem Sitz eine Fläche bilden und eben auf dem Badewannenrand aufliegen.
3. Badewasser einlassen.
4. Auf die Ihnen zugewandte Seitenklappe wie auf einen Stuhl setzen.
5. Bis zur Mitte des Sitzes nach hinten rutschen.
6. In Badeposition drehen. Dazu das eine Bein und danach das andere über den Wannenrand schwenken.
7. Bei richtiger Sitzposition durch Drücken und gedrückt Halten der Ab-Taste **Ⓒ** den Sitz in die Badewanne absenken.

**i** Wenn der Sitz die tiefste Position erreicht hat, besteht die Möglichkeit, durch weiteres Drücken der Ab-Taste **Ⓒ** die Rückenlehne nach hinten zu neigen. Dadurch wird eine bequemere Badeposition und ein weiteres Eintauchen ins Badewasser erreicht (nicht bei ORCA F).

8. Die Ab-Taste weiter gedrückt halten, bis die gewünschte Position der Rückenlehne erreicht ist.



Das Aussteigen aus der Badewanne erfolgt in umgekehrter Reihenfolge.

9. Zum Hochfahren der Rückenlehne bzw. des Badewannenlifters die Auf-Taste **Ⓑ** drücken und bis zur gewünschten Position gedrückt halten.



**WICHTIG!**

- Entfernen Sie das Handbedienteil vom Gerät, wenn der Badewannenlifter nicht verwendet wird (siehe Abschnitt 5.2 Badewannenlifter abbauen, Seite 43, Schritt 3).

## 5 Transport

### 5.1 Sicherheitsinformationen



#### VORSICHT!

Die Rückenlehne ist im zusammengeklappten Zustand nicht am Sitz arretiert und kann sich lösen.

- Die Sauger beim Transport angebaut lassen.
- Handbedienteil beim Transport von der Rückenlehne abnehmen.
- Lesen und beachten Sie die Transport- und Lagerbedingungen im Abschnitt 9.4 Umweltparameter, Seite 51.

1. Handbedienteil abnehmen.
2. Badewannenlifter zum Transport in zwei Teile zerlegen (Sitz und Rückenlehne). Siehe Abschnitt 5.2 Badewannenlifter abbauen, Seite 43.

### 5.2 Badewannenlifter abbauen

1. Das Wasser aus der Badewanne ablassen.
2. Den Badewannenlifter mit der Ab-Taste absenken, bis die Rückenlehne in abgesenkter Endlage stoppt, → 4.2 Badewannenlifter steuern, Seite 39.

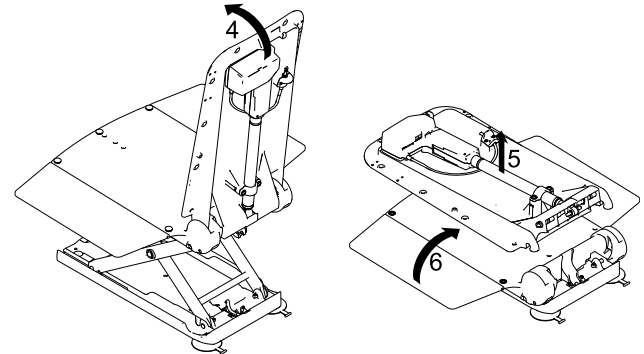
3. Die Klinkenbuchse am Spiralkabel des Handbedienteils durch Hochschieben der Entriegelungshülse entriegeln und von dem Klinkenstecker abziehen.



#### WICHTIG!

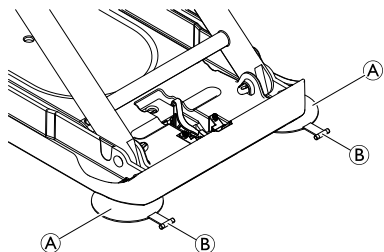
#### Beschädigungsgefahr

- Beim Umklappen der Rückenlehne darauf achten, dass das Spiralkabel des Handbedienteils nicht eingeklemmt wird.
- Rückenlehne nur umklappen, wenn sich kein Wasser mehr in der Badewanne befindet.



4. Die Rückenlehne mit einer Hand am Kopfende greifen und bis in Endstellung nach vorn klappen.
5. Die Rückenlehne nach oben vom Sitz abnehmen und aus der Badewanne herausheben.

6. Die Seitenklappen am Sitz nach innen klappen.



**WICHTIG!**

- Die beiden hinteren Sauger gleichzeitig lösen.

7. Die hinteren Sauger (A) durch Hochziehen der Lasche (B) des Saugers lösen.
8. Den Sitz hinten weiter anheben. Dadurch lösen sich die vorderen Sauger von selbst.



**WICHTIG!**

- Bei montierten Höhenadaptoren (optional), die vorderen Sauger ebenfalls durch Ziehen an ihren Laschen lösen.

9. Den Sitz aus der Badewanne herausheben.
10. Alle Teile des Badewannenlifters sorgfältig verstauen.

## 6 Instandhaltung

### 6.1 Wartung und Inspektion

Für dieses Produkt ist keine Wartung erforderlich, wenn die aufgeführten Reinigungs- und Sicherheitshinweise beachtet werden.

#### ! WICHTIG!

Das Handbedienteil darf nur vom Hersteller des Badewannenlifters geöffnet werden.

1. Überprüfen Sie das Produkt regelmäßig auf Schäden und vergewissern Sie sich, dass es ordnungsgemäß zusammengebaut ist.
2. Wenn Sie eine Beschädigung feststellen und/oder eine Reparatur erforderlich ist, wenden Sie sich umgehend an Ihren Händler.
3. Der Badewannenlifter muss vor jedem Wiedereinsatz von einem autorisierten Händler geprüft werden. Es wird empfohlen, den Badewannenlifter spätestens nach 24 Monaten (in Anlehnung an EN ISO 10535) zu überprüfen (siehe Herstellerempfehlung für Reha-Produkte des SPECTARIS-Industrieverbandes).
4. Wenn der Badewannenlifter längere Zeit nicht verwendet worden ist, laden Sie die Batterie vollständig auf und fahren Sie den Lifter dreimal ohne Last nach oben und nach unten. Wiederholen Sie diesen Vorgang alle 3 Monate. Dies wirkt sich förderlich auf die Nutzungsdauer der Batterie aus.

### 6.2 Reinigung und Desinfektion

Das Produkt kann mithilfe von handelsüblichen Mitteln gereinigt und desinfiziert werden.

1. Desinfizieren Sie das Produkt, indem Sie alle direkt zugänglichen Oberflächen mit einem Desinfektionsmittel abwischen (das Produkt möglichst vor dem Desinfizieren in seine Einzelteile zerlegen).

#### ! WICHTIG!

- Alle verwendeten Reinigungs- und Desinfektionsmittel müssen wirksam und miteinander verträglich sein und das Material schützen, das damit gereinigt wird.
- Bezüglich Einwirkzeit und Konzentration die Desinfektionsmittelliste des Verbunds für Angewandte Hygiene e.V. ([www.vah-online.de](http://www.vah-online.de)) sowie der deutschen Vereinigung zur Bekämpfung der Viruskrankheiten e.V. ([www.dvv-ev.de](http://www.dvv-ev.de)) beachten. Weitere Informationen zur Dekontamination in medizinischen Umgebungen finden Sie in den „Empfehlungen der Kommission für Krankenhaushygiene und Infektionsprävention“ auf der Internetseite des Robert Koch-Instituts: [www.rki.de](http://www.rki.de).
  - Reinigen Sie das Produkt regelmäßig von Hand.
  - Verwenden Sie keine scheuernden Reinigungsmittel.

## Reinigung des Sitzes und der Rückenlehne



### VORSICHT!

#### Einklemmgefahr für die Finger

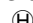
- Gehen Sie bei der Reinigung im Bereich der Hebescheren besonders vorsichtig vor, da sie beweglich sind und zu Verletzungen führen können.



### WICHTIG!

#### Gefahr von Beschädigungen

- Verwenden Sie bei der Reinigung der Rückenlehne niemals einen Hochdruckreiniger.

1. Waschen Sie das Produkt mit einem Tuch oder einer Bürste ab.
2. Spülen Sie das Produkt mit warmem Wasser ab.
3. Trocknen Sie das Produkt mit einem Tuch.
4. Schmieren Sie die Führung für den Gleitschuh (vgl. Abb. Abschn. 3.1, ) mit etwas Vaseline.

## Reinigen der Bezüge (optional)



Es wird empfohlen, die Bezüge vor dem ersten Gebrauch zu waschen. Aus Hygienegründen wird empfohlen, die Bezüge regelmäßig zu säubern und jährlich auszutauschen.

1. Knöpfen Sie die Bezüge am Sitz und an der Rückenlehne ab.
2. Waschen Sie die Bezüge mit einem milden Waschmittel bei max. 60 °C in der Waschmaschine.



### WICHTIG!

#### Gefahr von Beschädigungen

- Das Waschen bei hohen Temperaturen kann zum Einlaufen der Wäsche führen.
- Trocknen Sie die Bezüge nicht im Wäschetrockner.

## Reinigen des Ladegeräts und des Handbedienteils



### WARNUNG!

#### Stromschlaggefahr

- Ziehen Sie stets den Stecker aus der Steckdose, bevor Sie das Ladegerät reinigen.
- Stecken Sie niemals Gegenstände aus leitendem Material (z. B. Stricknadeln, Metallstifte) in die Klinkenbuchse des Handbedienteils.
- Verwenden Sie niemals ein nasses oder feuchtes Tuch zur Reinigung des Ladegeräts.

1. Trocknen Sie das Ladegerät mit einem trockenen Tuch.
2. Wischen Sie das Handbedienteil mit einem feuchten Tuch ab und trocknen Sie es mit einem trockenen Tuch.

## 7 Nach dem Gebrauch

### 7.1 Lagerung



#### **WICHTIG!**

#### **Beschädigungsgefahr**

- Produkt nicht in der Nähe von Wärmequellen lagern.
- Direkte Sonneneinstrahlung auf das Produkt vermeiden.
- Lesen und beachten Sie die Transport- und Lagerbedingungen im Abschnitt 9.4 Umweltparameter, Seite 51.

### 7.2 Wiederverwendung

Das Produkt ist für den Wiedereinsatz geeignet. Die Anzahl der Wiedereinsätze ist abhängig von der Nutzungshäufigkeit und Nutzungsweise des Produkts. Vor dem Wiedereinsatz das Produkt hygienisch aufbereiten (→ 6.2 Reinigung und Desinfektion, Seite 45) sowie die technisch-funktionelle Sicherheit des Produkts prüfen und ggf. wiederherstellen.

### 7.3 Entsorgung

Entsorgung und Recycling benutzter Produkte und Verpackungen müssen gemäß geltenden Vorschriften erfolgen.



#### **WARNUNG!**

- Handbedienteil niemals ins Feuer werfen oder in der Nähe von Feuer lagern.

Das vorliegende Produkt enthält einen wiederaufladbaren Lithium- Ionen-Akku. Sind die Batterien „leer“ oder lassen sich die Akkus nicht mehr aufladen, dürfen sie nicht in den Hausmüll. Altbatterien enthalten möglicherweise Schadstoffe, die Umwelt und Gesundheit schaden können.

Bitte geben Sie die Batterien/Akkus im Handel oder an den Recyclinghöfen der Kommunen ab. Die Rückgabe ist unentgeltlich und gesetzlich vorgeschrieben.

Bitte werfen Sie nur entladene Batterien in die aufgestellten Behälter und kleben Sie bei Lithium-Akkus die Pole ab.

Hinweispflicht gemäß BattG:

1574469-B

## 8 Problembehandlung

### 8.1 Störungen erkennen und beheben



Die folgende Tabelle gibt Ihnen Hinweise auf Störungen und deren mögliche Ursachen. Können Sie die Störung anhand der genannten Abhilfen nicht beseitigen, wenden Sie sich bitte direkt an Ihren Fachhändler.

Störung	Mögliche Ursache	Abhilfe
Kein Motorengeräusch hörbar/der Badewannenlifter bewegt sich nicht.	Klinkenbuchse des Handbedienteils nicht richtig verriegelt.	Klinkenbuchse verriegeln, → 3.3 Badewannenlifter aufbauen, Seite 34, Schritt 5.
	Akku ist leer.	Akku vollständig aufladen, → 3.4 Akku laden, Seite 37.
	Kontakte verschmutzt.	Klinkenstecker an der Rückenlehne reinigen, → Fachhändler kontaktieren.
	Kabel gequetscht.	Handbedienteil austauschen, → Fachhändler kontaktieren.
Lifter fährt nur nach oben.	Unterspannungsüberwachung hat angesprochen	Akku vollständig aufladen, → 3.4 Akku laden, Seite 37.
Lifter bleibt beim Hochfahren stehen.	Hublast zu hoch.	Max. Belastung beachten, → 9.1 Abmessungen und Gewicht, Seite 50.
Badewannenlifter haftet nicht sicher in der Badewanne.	Sauger alt oder beschädigt.	Sauger austauschen, → Fachhändler kontaktieren.
Akku lädt sich nicht auf, die rote Kontroll- Leuchte blinkt beim Ladevorgang.	Elektronik defekt.	Handbedienteil durch Fachhändler prüfen lassen.
	Akku defekt.	Handbedienteil austauschen.



<b>Störung</b>	<b>Mögliche Ursache</b>	<b>Abhilfe</b>
	Ladegerät defekt.	Ladegerät durch Fachhändler prüfen lassen.
	Temperatur des Akkus zu hoch.	Handbedienteil nicht in der Nähe von Wärmequellen (z.B. Heizkörper, direkte Sonneneinstrahlung) laden. Ladevorgang wird automatisch fortgesetzt wenn Temperatur im zulässigen Bereich ist.

## 9 Technische Daten

### 9.1 Abmessungen und Gewicht

Gesamtlänge in der niedrigsten Position	920 mm
Gesamtlänge in der höchsten Position	650 mm
Gesamthöhe in der höchsten Position	1075 mm
Länge Sitz	590 mm
Breite Sitz bei ausgeklappten Seitenklappen	715 mm
Breite Sitz bei eingeklappten Seitenklappen	390 mm
Höhe des Sitzes in tiefster Position	60 mm
Höhe des Sitzes in höchster Position	420 mm
Breite der Rückenlehne	360 mm
Mindestwinkel der Rückenlehne	8°
Breite der Grundplatte	295 mm
Belastung max. (ORCA / ORCA F) Belastung max. (ORCA XL)	140 kg 170 kg
Gesamtgewicht ohne Handbedienteil* (ORCA) (ORCA F) (ORCA XL)	10,8 kg 11,4 kg 11,6 kg
Gewicht Sitz* (ORCA) (ORCA F) (ORCA XL)	6,6 kg 7,2 kg 7,4 kg

Gewicht Rückenlehne* (ORCA / ORCA F / ORCA XL)	4,2 kg
Gewicht Handbedienteil	0,4 kg
Gewicht Ladegerät	0,1 kg

\* Für Produkte mit Produktionsdatum vor Mai 2015 gelten folgende Gewichte:

Gesamtgewicht ohne Handbedienteil	12,1 kg
Gewicht Sitz	7,5 kg
Gewicht Rückenlehne	4,6 kg



Das Produktionsdatum ist auf dem Typenschild zu finden.

### 9.2 Elektronische Daten

Betätigungskraft für d. Tasten des Handbedienteils	< 5 N
Betriebsspannung Handbedienteil <sup>1)</sup>	10,8 V DC / 14 V DC
Nennaufnahmeleistung <sup>1)</sup>	43 VA / 56 VA
Nennstrom	4 A
Akkutyp	Lithium-Ionen
Ladegerät Eingang	100 - 240 V AC, 50 - 60 Hz

Ladegerät Ausgang	24 V DC / 135 mA, 3 VA
Ladezeit ab Unterspannungsanzeige	ca. 4,5 h
Schutzart Antrieb	IP X6 W <sup>2)</sup>
Schutzart Handbedienteil	IP 67 <sup>3)</sup>
Schutzart Gesamtgerät	IP X6 <sup>4)</sup>
Schallleistungspegel	52 dB(A)

<sup>1)</sup> 10,8 V DC / 43 VA gültig bei Verwendung von Handbedienteilen mit der Spannungsangabe von 10,8 V auf der Rückseite des Handbedienteils.  
14 V DC / 56 VA gültig bei Verwendung von Handbedienteilen mit der Spannungsangabe von 14 V auf der Rückseite des Handbedienteils.

<sup>2)</sup> Geschützt gegen Eindringen von Wasser bei starkem Strahlwasser, geprüft bei festgelegten Umgebungsbedingungen.

<sup>3)</sup> Staubdicht und geschützt gegen Eindringen von Wasser bei zeitweiligem Untertauchen.

<sup>4)</sup> Geschützt gegen Eindringen von Wasser bei starkem Strahlwasser.

### 9.3 Materialien

Rückenlehne	PPGF
Sitzplatte	PPGF
Bezüge	PVC



Alle verwendeten Materialien sind korrosionsbeständig und Latex-frei.

### 9.4 Umweltparameter

<b>Betriebsbedingungen</b>	
Umgebungstemperatur	10 - 40 °C
Relative Luftfeuchtigkeit	15 % - 93 %, nicht kondensierend
Luftdruck	795 - 1060 hPa
<b>Lager- und Transportbedingungen</b>	
Umgebungstemperatur	0 - 40 °C
Relative Luftfeuchtigkeit	30 % - 75 %, nicht kondensierend
Luftdruck	795 - 1060 hPa



---

# Sommaire

---

Ce manuel DOIT être remis à l'utilisateur du produit. Lire ce manuel AVANT d'utiliser ce produit, et le conserver en cas de besoin.

<b>1 Généralités</b>	<b>54</b>
1.1 Informations générales	54
1.2 Symboles figurant dans le présent manuel d'utilisation	54
1.3 Garantie	54
1.4 Conformité	54
1.5 Utilisation conforme	55
1.6 Durée de vie	55
<b>2 Sécurité</b>	<b>56</b>
2.1 Informations de sécurité	56
2.2 Informations de sécurité relatives à la compatibilité électromagnétique	56
2.3 Étiquettes et symboles figurant sur le produit	57
<b>3 Réglages (Mise en service)</b>	<b>59</b>
3.1 Informations de sécurité	59
3.2 Volume de livraison	59
3.3 Montage de l'élévateur	61
3.4 Chargement de la batterie	63
<b>4 Utilisation</b>	<b>65</b>
4.1 Informations sur la sécurité	65
4.2 Contrôle de l'élévateur de bain	65
4.3 Bain	67
<b>5 Transport</b>	<b>69</b>
5.1 Informations sur la sécurité	69
5.2 Retrait de l'élévateur de bain	69
<b>6 Maintenance</b>	<b>71</b>
6.1 Maintenance et entretien	71
6.2 Nettoyage et désinfection	71

<b>7 Après l'utilisation</b>	<b>73</b>
7.1 Stockage	73
7.2 Réutilisation	73
7.3 Élimination	73
<b>8 Dépannage</b>	<b>74</b>
8.1 Identification et résolution des pannes	74
<b>9 Caractéristiques techniques</b>	<b>76</b>
9.1 Dimensions et poids	76
9.2 Données électroniques	76
9.3 Matériaux	77
9.4 Paramètres environnementaux	77

# 1 Généralités

## 1.1 Informations générales

Le présent manuel d'utilisation contient des informations importantes sur la manipulation du produit. Pour garantir une utilisation en toute sécurité du produit, lire attentivement le manuel d'utilisation et respecter les consignes de sécurité. Les lettres de référence (A, B, C, etc.) des instructions de montage se réfèrent toujours à la figure précédente.

## 1.2 Symboles figurant dans le présent manuel d'utilisation

Dans le présent manuel d'utilisation, les avertissements sont repérés par des symboles. Le titre à côté du symbole d'avertissement indique la gravité du danger.



### AVERTISSEMENT

Indique une situation dangereuse qui pourrait provoquer des blessures graves, voire la mort si elle n'est pas évitée.



### ATTENTION

Indique une situation dangereuse qui pourrait provoquer de légères blessures si elle n'est pas évitée.



### IMPORTANT

Indique une situation dangereuse qui pourrait provoquer des dommages si elle n'est pas évitée.



Conseils, recommandations et informations utiles pour une utilisation efficace et sans souci.



Ce produit est conforme à la directive 93/42/CEE sur les dispositifs médicaux. La date de lancement de ce produit est indiquée dans la déclaration de conformité CE.



Fabricant

## 1.3 Garantie

Nous fournissons une garantie fabricant pour le produit, conformément à nos conditions générales de vente en vigueur dans les différents pays. Les réclamations au titre de la garantie ne peuvent être adressées qu'au fournisseur auprès duquel l'appareil a été obtenu.

Les revêtements et les ventouses ne sont pas concernées.

## 1.4 Conformité

La qualité revêt une importance capitale pour notre société ; tous les procédés sont basés sur les normes ISO 9001 et ISO 13485.

Le présent produit porte le marquage CE, en conformité avec la Directive relative aux dispositifs médicaux 93/42/CEE Classe 1.

Ce produit répond aux exigences des normes EN ISO 14971 (Dispositifs médicaux - Application de la gestion des risques aux dispositifs médicaux) et EN ISO 10535 (Produits d'assistance pour personnes en situation de handicap - Exigences générales et méthodes d'essai).

La capacité de levage est supérieure à 1,5 fois la charge nominale.

Invacare® s'efforce en permanence de réduire au minimum son impact sur l'environnement, à l'échelle locale et mondiale.

- Nous respectons la législation en vigueur en matière d'environnement (notamment, les directives DEEE et RoHS).
- Nous n'utilisons que des matériaux et composants conformes au règlement REACH.

Pour obtenir de plus amples informations, veuillez contacter Invacare® dans votre pays (adresses figurant au dos du présent manuel).

## 1.5 Utilisation conforme

Les élévateurs de bain facilitent l'entrée et la sortie de la baignoire. Ils sont exclusivement conçus pour faciliter le bain des personnes à mobilité réduite. Toute autre utilisation est interdite.

### Indications

- Réduction significative de la fonction / fonctionnalités manquantes des membres supérieurs et/ou inférieurs (telles que : amputations, paralysie, troubles articulaires, troubles neuromusculaires présentant un handicap des membres), quand l'entrée et la sortie indépendantes de la baignoire qui nécessitent de s'asseoir et de se lever ne sont plus possibles ; le contrôle du tronc et la capacité fonctionnelle de base des membres doivent encore être suffisants.

- Les conséquences chroniques de la maladie présentant des limitations fonctionnelles des membres supérieurs et/ou inférieurs, qui ne permettent plus un bain indépendant, mais quand un bain largement indépendant est possible grâce l'utilisation de l'élévateur de bain et que d'autres aides au bain pour compenser le handicap ne sont pas suffisantes.

### Contre-indications

Il n'existe aucune contre-indication associée à l'utilisation appropriée de ce produit.

## 1.6 Durée de vie

La durée de vie attendue de ce produit est de cinq ans, en partant du principe qu'il est utilisé quotidiennement, dans le respect des consignes de sécurité, des instructions de maintenance et de l'usage prévu stipulés dans le présent manuel.

## 2 Sécurité

### 2.1 Informations de sécurité



#### AVERTISSEMENT !

- N'utilisez pas ce produit ni tout autre équipement disponible en option sans avoir lu et compris entièrement les présentes instructions et toute autre documentation d'instructions supplémentaire, telle que les manuels d'utilisation, les manuels d'entretien ou fiches d'instructions fournis avec ce produit ou l'équipement en option. Les manuels des produits Invacare sont disponibles sur Internet ou auprès de votre revendeur local (les adresses sont indiquées au dos du présent manuel).
- Si vous ne comprenez pas les avertissements, mises en garde ou instructions, veuillez contacter un professionnel des soins de santé, un revendeur ou un technicien avant d'essayer d'utiliser cet équipement, sous peine de dommages ou de blessures.



#### AVERTISSEMENT !

##### Risque de blessure

- N'utilisez pas le produit s'il est défectueux.
- En cas de dysfonctionnement, contactez immédiatement votre revendeur.
- Ne procédez à aucune modification non autorisée et ne transformez pas le produit.
- Utilisez uniquement les pièces de rechange conçues pour ce produit.



#### AVERTISSEMENT !

##### Risque de blessure

- Ne vous tenez jamais debout sur l'élévateur de bain pour rentrer dans la baignoire ou en sortir, ne l'utilisez pas pour monter ou descendre, ni comme plate-forme de levage ou tout autre usage similaire.



#### IMPORTANT !

- Les informations contenues dans ce document peuvent être modifiées sans préavis.
- Vérifiez l'absence de dommages dus au transport sur toutes les pièces et testez-les avant utilisation.

### 2.2 Informations de sécurité relatives à la compatibilité électromagnétique

Ce produit a passé avec succès tous les tests de compatibilité électromagnétique conformes aux normes internationales. Toutefois, les champs électromagnétiques tels que ceux générés par des radios et des télévisions, du matériel



radio et des téléphones mobiles, peuvent perturber le fonctionnement des produits comportant des commandes électriques. Le système électronique utilisé dans le présent produit peut également provoquer de faibles interférences électromagnétiques, mais celles-ci sont inférieures aux limites légales. Vous devez par conséquent respecter les avertissements suivants :



### ATTENTION !

#### Interférence électromagnétique

Les appareils de communication sans fil tels que les routeurs WLAN, les téléphones portables, les téléphones sans fil et leurs stations de recharge ou les talkies-walkies peuvent interférer avec le fonctionnement de cet appareil.

- Assurez-vous que ces appareils se trouvent à une distance supérieure à 2 m de l'élévateur de bain.



### ATTENTION !

#### Interférence électromagnétique

Les interférences électromagnétiques pourraient provoquer un arrêt brusque du dispositif ou (même si cela est peu probable) causer son déplacement de façon imprévue.

- Éteignez le dispositif externe et/ou le produit Invacare® si cela se produit.
- Si d'autres produits médicaux fonctionnant à l'électricité provoquent des interférences ou sont eux-mêmes perturbés, coupez l'alimentation électrique de votre produit Invacare® et contactez votre revendeur.

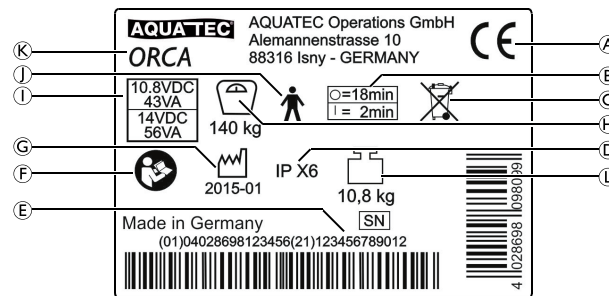


Les directives et déclarations du fabricant relatives aux émissions et immunité électromagnétiques sont disponibles sur demande auprès d'Invacare® de votre pays.

## 2.3 Étiquettes et symboles figurant sur le produit

### Autocollant d'identification

L'étiquette d'identification fournit également des informations importantes :



(A)	Marque de conformité
(B)	Cycle d'utilisation (max. 2 min / 18 min)
(C)	Remarque (élimination)
(D)	Indice de protection
(E)	Numéro de série de l'appareil
(F)	Remarque (consultez la documentation jointe)

Ⓒ	Période de production
Ⓗ	Charge utile
Ⓛ	Tension nominale / Puissance nominale, voir la section 9.2 Données électroniques, page 76
Ⓜ	Pièce appliquée de type B
Ⓚ	Désignation de l'appareil
Ⓛ	Poids du produit



L'autocollant d'identification se trouve à l'arrière du dossier.

## 3 Réglages (Mise en service)

### 3.1 Informations de sécurité



#### IMPORTANT !

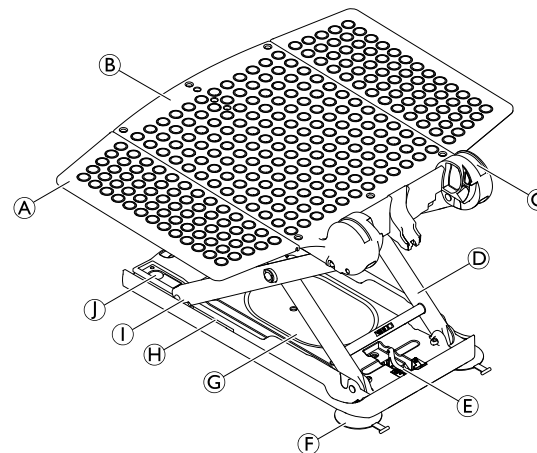
- Vérifiez les pièces afin de vous assurer de l'absence de dommages causés pendant le transport avant toute mise en service. En cas de dommages, contactez votre revendeur.
- Lors du montage, assurez-vous que les pièces sont correctement positionnées les unes par rapport aux autres.
- Il est conseillé de nettoyer les housses avant la première utilisation. Reportez-vous au chapitre 6.2 Nettoyage et désinfection, page 71.

### 3.2 Volume de livraison

Ce manuel d'utilisation se rapporte aux modèles ORCA, ORCA F et ORCA XL. Ces modèles diffèrent au niveau du poids et du poids maximum de l'utilisateur. Reportez-vous à la section 9.1 Dimensions et poids, page 76. Un revêtement d'assise et de dossier sont disponibles en option pour les trois modèles. Il n'est pas possible de baisser le dossier sur le modèle ORCA F.

Les composants suivants sont fournis à la livraison :

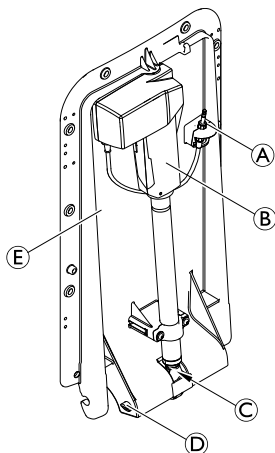
#### Assise



(A)	Rabat latéral
(B)	Plaque d'assise
(C)	Charnière du dossier
(D)	Croisillon de levage
(E)	Logement de la tige du verin
(F)	Ventouses arrière (deux languettes)
(G)	Plaque de base
(H)	Glissière du patin

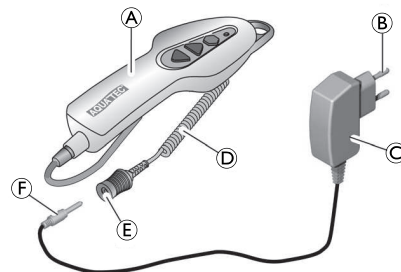
①	Patin
①	Ventouses avant (une languette)

## Dossier



(A)	Fiche jack
(B)	Verin
(C)	Tige de verin
(D)	Goupille de blocage
(E)	Plaque, dossier

## Télécommande et chargeur



(A)	Télécommande avec batterie
(B)	Fiche secteur
(C)	Chargeur
(D)	Câble spiralé de la télécommande
(E)	Prise jack de la télécommande
(F)	Fiche jack du chargeur

### 3.3 Montage de l'élévateur

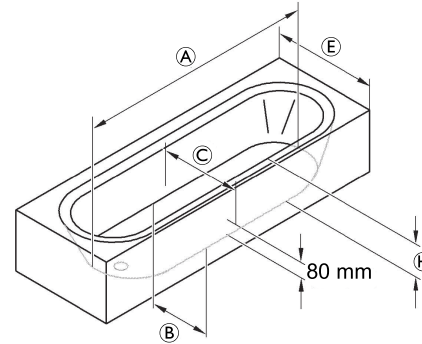


#### AVERTISSEMENT !

#### Risque de glissement

L'élévateur de bain risque de glisser si les ventouses sont mal fixées.

- Nettoyez la baignoire et les ventouses à l'aide d'un chiffon humide avant de mettre en place l'élévateur de bain.
- Ne modifiez pas la position de l'élévateur de bain dans la baignoire une fois l'installation terminée.



#### AVERTISSEMENT !

#### Risque de blessures ou de dégâts matériels !

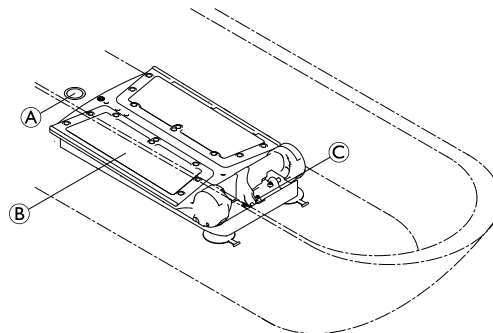
- Installez uniquement l'élévateur de bain dans des baignoires conformes aux spécifications du tableau suivant.
- Si un débordement latéral est présent dans la baignoire, utilisez les rabats latéraux spéciaux (disponibles en accessoire).

Ⓐ	A Longueur de la baignoire, fond	≥ 800 mm
Ⓑ	Largeur de la baignoire, fond (intérieur)	280 - 600 mm
Ⓒ	Largeur de la baignoire, à 80 mm de haut (intérieur)	≥ 430 mm
Ⓔ	Largeur de la baignoire (externe)	580 - 690 mm (avec rabats latéraux spéciaux) 700 - 740 mm (avec rabats latéraux standard) 750 - 1000 mm (avec rabats latéraux spéciaux)
Ⓕ	Hauteur de la baignoire (intérieur)	≤ 420 mm (avec adaptateur de hauteur, max. + 60 mm)

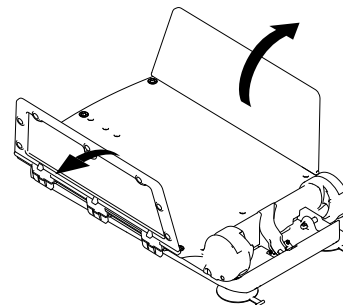


### IMPORTANT !

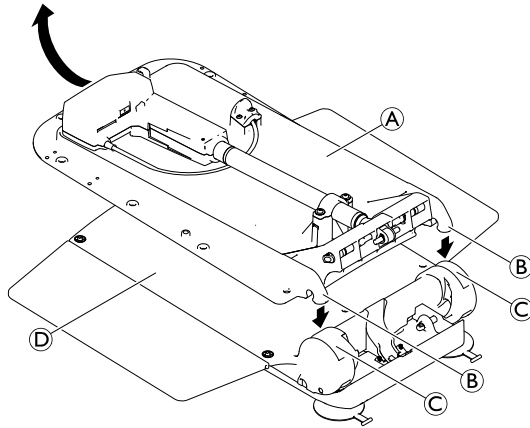
- Vérifiez si les ventouses sont installées.
- Assurez-vous que la batterie de la télécommande est chargée.
- Assurez-vous que la tige de verin soit entièrement insérée.
- Lorsque vous soulevez les composants de l'élévateur de bain, n'oubliez pas d'évaluer correctement les poids, voir la section 9.1 Dimensions et poids, page 76.
- Si la baignoire est dotée d'une main courante, utilisez les guides de rabats latéraux (disponibles en accessoire).
- Pliez les rabats latéraux vers l'extérieur avant de soulever le dossier.



1. Placez l'assise ② au fond de la baignoire vide. Assurez-vous que le logement de la tige de verin ③ est dirigé vers l'extrémité de la baignoire opposée à la bonde ①.



2. Dépliez les rabats latéraux de l'assise vers l'extérieur.



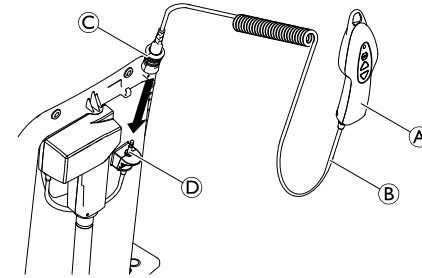
3. Placez le dossier **A** (sans la télécommande) sur l'assise afin que les crochets **B** du dossier s'adaptent sur les charnières **C** de la plaque d'assise **D**.



**IMPORTANT !**  
**Risque de détérioration**

Le produit peut être endommagé en cas de glissement de la tige de verin.  
 – Assurez-vous que la tige est entièrement rétractée et que le pied de la tige est à niveau et non tournée avant de déplier le dossier.  
 – Une fois le dossier déplié, assurez-vous que la tige de verin se trouve dans son logement.

4. Maintenez le dossier en son centre et soulevez-le avec précaution en position finale.



5. Branchez la prise jack avec le manchon de déverrouillage **C** du câble spiralé **B** de la télécommande **A** sur la fiche jack **D** jusqu'à ce que le mécanisme de blocage s'engage de manière évidente.



**IMPORTANT !**  
**Risque de détérioration**

– Veillez à ce que le dossier ne soit pas en contact avec le bord de la baignoire.  
 – Si nécessaire, positionnez l'élévateur de bain plus vers l'avant de la baignoire.

### 3.4 Chargement de la batterie

Il n'est pas possible d'utiliser l'élévateur de bain pendant la charge de la batterie.



### AVERTISSEMENT !

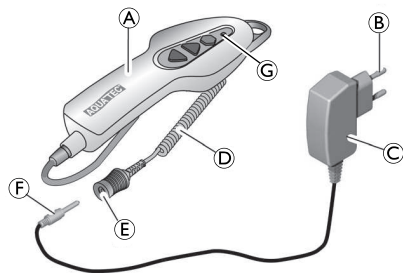
#### Risque de décharge électrique

- Rechargez uniquement la batterie dans des pièces sèches à température ambiante (15 °C à 25 °C), jamais dans la salle de bain.



### IMPORTANT!

- Utilisez uniquement le chargeur fourni (Aquatec® Orca / Orca F / Orca XL) pour charger la batterie de la télécommande.
- Branchez le chargeur sur le secteur uniquement quand la télécommande est reliée au chargeur.
- Assurez-vous que les caractéristiques de tension indiquées sur le chargeur correspondent à celles de l'alimentation secteur.



1. Insérez la fiche jack ⑥ du chargeur ③ dans la prise jack ⑤ du câble spiralé ④ de la télécommande ① jusqu'à ce qu'elle s'enclenche.
2. Branchez la fiche secteur ② du chargeur sur une prise secteur.



Le témoin lumineux rouge ③ de la télécommande s'éteint lorsque la batterie est complètement chargée. Il n'est pas possible de charger excessivement la batterie.

3. Débranchez le chargeur de la prise.
4. Débranchez la fiche jack du chargeur de la prise située sur la télécommande.



## 4 Utilisation

### 4.1 Informations sur la sécurité



#### ATTENTION !

La surcharge de l'élévateur de bain peut endommager l'appareil ou empêcher le levage.

- Ne surchargez pas l'élévateur de bain et observez les caractéristiques techniques de l'étiquette d'identification et de la section 9.1 Dimensions et poids, page 76, relativement à la charge utile maximum.



#### ATTENTION !

#### Risque de pincement pour les doigts

- Ne placez pas les doigts dans les rainures entre la plaque d'assise et le dossier.
- Ne passez pas les mains sous la plaque d'assise ni entre les croisillons de levage.



#### IMPORTANT !

De l'humidité peut pénétrer dans une télécommande endommagée, risquant d'entraîner un court-circuit et un incendie.

- Avant chaque utilisation, procédez systématiquement à un examen visuel du produit afin de vous assurer de l'absence de dommages externes.
- Si le boîtier de la télécommande est endommagé ou présente des fissures, n'utilisez pas celle-ci.
- Rechargez entièrement la batterie avant chaque utilisation, 3.4 Chargement de la batterie, page 63.

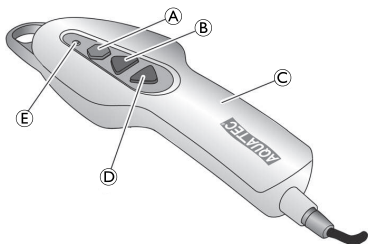
1. Se reporter aux conditions de fonctionnement figurant dans la section 9.4 Paramètres environnementaux, page 77.

### 4.2 Contrôle de l'élévateur de bain

L'élévateur de bain peut être déplacé dans les directions suivantes :



L'élévateur de bain se contrôle par le biais de la télécommande.



**!** **IMPORTANT!**

**Risque de détérioration**

– La télécommande peut uniquement être utilisée lorsque le dossier est correctement installé en position verticale.

**!** **IMPORTANT!**

Si la batterie de la télécommande © n'est pas suffisamment chargée, le témoin lumineux rouge ⑤ s'allume lorsque vous appuyez sur le bouton Bas ④. La fonction d'abaissement de l'élévateur de bain est alors désactivée. Néanmoins, il est toujours possible de lever l'élévateur.

– Rechargez immédiatement la batterie après le levage.



Avec une batterie complètement chargée, les systèmes Aquatec® Orca et Orca F peuvent servir pour cinq bains avec une charge de 140 kg. Le Orca XL peut assurer quatre bains avec une charge de 170 kg.

## Levage de l'élévateur de bain

**!** **IMPORTANT!**

Si le dossier est abaissé, il doit tout d'abord être redressé en position verticale (sauf sur le modèle Orca F).

1. Appuyez sur le bouton Haut ② de la télécommande et maintenez le enfoncé.  
Le dossier passe en position droite ou l'assise se déplace vers le haut.
2. Relâchez le bouton Haut de la télécommande.  
L'élévateur de bain s'arrête dans la position actuelle.

## Abaissement de l'élévateur de bain

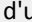
**!** **IMPORTANT!**

Si l'assise est déjà abaissée, le dossier s'abaisse vers l'arrière (sauf sur le modèle Orca F).

1. Appuyez sur le bouton Bas ④ de la télécommande et maintenez-le enfoncé.  
L'assise se déplace vers le bas ou le dossier s'incline vers l'arrière.
2. Relâchez le bouton Bas de la télécommande.  
L'élévateur de bain s'arrête dans la position actuelle.

## Interrupteur d'arrêt d'urgence

### ! IMPORTANT!

Appuyez uniquement sur le bouton d'arrêt d'urgence  si l'appareil ne s'arrête pas immédiatement lorsque le bouton Bas ou Haut est relâché (par exemple si un bouton se bloque). L'élévateur de bain s'arrête immédiatement et le témoin rouge de la télécommande s'allume.

Si le témoin lumineux rouge s'éteint après avoir relâché de bouton d'arrêt d'urgence, le problème a été résolu (p. ex. le bouton est à nouveau relâché). L'appareil peut à nouveau être utilisé.

Si le témoin lumineux rouge reste allumé après avoir relâché le bouton d'arrêt d'urgence, le problème n'a pas été résolu. L'appareil n'est pas prêt à être utilisé et doit être réparé (p. ex. problème électronique).

1. Le cas échéant, contactez votre revendeur.

## 4.3 Bain



### AVERTISSEMENT ! Risque de glissement

L'élévateur de bain risque de glisser si les ventouses sont mal fixées.

- Avant d'utiliser l'élévateur de bain, assurez-vous qu'il est bien positionné et qu'il ne risque pas de se renverser.
- Assurez-vous que l'élévateur de bain est installé dans la baignoire, → 3.3 Montage de l'élévateur, page 61.



### AVERTISSEMENT !

- Si votre état de santé ne vous permet pas de prendre un bain seul, l'appareil doit toujours être utilisé sous surveillance.
- Si le dispositif est utilisé sans surveillance, un système d'alarme ou un téléphone doit être placé à portée de main en cas de problème imprévu (dysfonctionnements par ex.)




### ATTENTION !


- Les sels et les huiles de bain peuvent nuire au fonctionnement des croisillons de levage.
- Si vous utilisez des produits de bain de ce type, ne dépassez pas la dose recommandée.





### IMPORTANT !

- Faites fonctionner l'élévateur une fois à vide jusqu'en haut puis jusqu'en bas (test de fonctionnement).
- Avant l'usage, vérifiez la température de l'eau du bain.


1. Appuyez sur le bouton Haut  et maintenez-le enfoncé jusqu'à ce que l'assise se trouve au niveau du bord de la baignoire.
2. Assurez-vous que les rabats latéraux se trouvent au niveau de l'assise et reposent à plat sur le bord de la baignoire.
3. Remplissez la baignoire d'eau.
4. Asseyez-vous sur le rabat latéral le plus proche, comme sur une chaise.

5. Glissez vers l'arrière jusqu'à ce que vous vous trouviez au milieu de l'assise.
6. Tournez-vous en position de bain en levant une jambe puis l'autre par-dessus le bord de la baignoire.
7. Une fois assis correctement, appuyez sur le bouton Bas  et maintenez-le enfoncé afin d'abaisser l'assise dans la baignoire.

 Lorsque l'assise a atteint la position la plus basse, il est possible d'incliner le dossier en continuant d'appuyer sur le bouton Bas . Ceci permet d'obtenir une position plus confortable pour le bain et de se plonger plus profondément dans l'eau du bain (sauf sur le modèle Orca F).

8. Appuyez sur le bouton Bas jusqu'à ce que le dossier se trouve à la position souhaitée.

 Pour sortir de la baignoire, procédez en sens inverse.

9. Pour soulever le dossier ou l'élévateur de bain, appuyez sur le bouton Haut  et maintenez-le enfoncé jusqu'à ce que la position souhaitée soit atteinte.

**!** **IMPORTANT !**

- Débranchez la télécommande du dispositif lorsque l'élévateur de bain n'est pas utilisé, reportez-vous au chapitre 5.2 Retrait de l'élévateur de bain, page 69, étape 3.

## 5 Transport

### 5.1 Informations sur la sécurité



#### ATTENTION !

Le dossier n'est pas bloqué sur l'assise lorsqu'il est plié et il peut se séparer.

- Ne retirez pas les ventouses lorsque vous transportez l'élévateur de bain.
- Retirez la télécommande du dossier pour le transport.
- Se reporter aux conditions de stockage et de transport figurant dans la section 9.4 Paramètres environnementaux, page 77.

1. Retirez la télécommande.
2. Démontez l'élévateur de bain en deux parties pour le transport (assise et dossier). Reportez-vous à la section 5.2 Retrait de l'élévateur de bain, page 69.

### 5.2 Retrait de l'élévateur de bain

1. Laissez l'eau s'écouler de la baignoire.
2. Abaissez l'élévateur de bain au moyen du bouton Bas jusqu'à ce que le dossier s'arrête en position inférieure. Reportez-vous à la section 4.2 Contrôle de l'élévateur de bain, page 65.

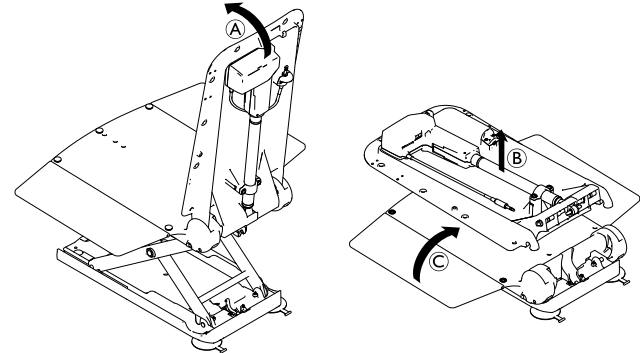
3. Dégagez la prise jack du câble spiralé de la télécommande en poussant le manchon de déverrouillage vers le haut pour le retirer de la fiche jack.



#### IMPORTANT !

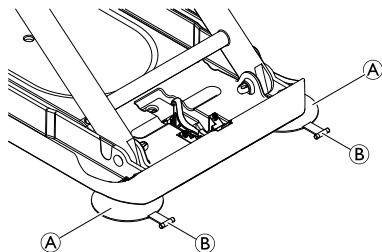
##### Risque de détérioration

- Lorsque vous repliez le dossier, veillez à ce que le câble spiralé de la télécommande ne soit pas bloqué.
- Ne repliez pas le dossier si de l'eau se trouve dans la baignoire.



4. Maintenez d'une main le dossier et rabattez le vers l'avant en position finale **A**.
5. Tirez le dossier vers le haut en dehors de l'assise et hors de la baignoire **B**.

6. Pliez les rabats latéraux de l'assise vers l'intérieur ©.



**IMPORTANT !**

- Dégagez simultanément les deux ventouses arrière.

7. Dégagez la ventouse arrière (A) en soulevant sa languette (B).
8. Soulevez davantage l'arrière de l'assise afin d'ôter les ventouses avant.



**IMPORTANT !**

- Si les rehausseurs ont été installés (facultatifs), vous devez également tirer sur les languettes des ventouses avant pour les détacher.

9. Sortez l'assise de la baignoire.
10. Rangez avec soin tous les composants de l'élévateur de bain.

## 6 Maintenance

### 6.1 Maintenance et entretien

Si les consignes de sécurité et de nettoyage sont respectées, aucune maintenance ne sera nécessaire.

#### ! IMPORTANT !

La télécommande ne peut être ouverte que par le fabricant de l'élévateur de bain.

1. Vérifiez régulièrement le produit afin de vous assurer qu'il n'est pas endommagé et qu'il est monté correctement.
2. En cas de détérioration ou de réparation éventuellement nécessaire, contactez immédiatement votre revendeur.
3. Un distributeur agréé doit vérifier l'élévateur de bain avant chaque réutilisation. Nous recommandons de vérifier l'élévateur de bain après 24 mois au plus tard (conformément à la norme En ISO 10535).
4. Si l'élévateur de bain n'est pas utilisé pendant une longue durée, chargez complètement la batterie puis levez et abaissez l'élévateur trois fois sans charge. Répétez l'opération tous les 3 mois. Ceci permet de préserver la durée de vie de la batterie.

### 6.2 Nettoyage et désinfection

Ce produit peut être nettoyé et désinfecté au moyen de produits disponibles dans le commerce.

1. Désinfectez le produit en essuyant toutes les surfaces généralement accessibles avec un désinfectant (le cas échéant, après son démontage).



#### IMPORTANT !

Tous les désinfectants et agents de nettoyage utilisés doivent être efficaces, compatibles entre eux et protéger les surfaces qu'ils sont censés nettoyer.

- Pour de plus amples informations sur la décontamination dans des environnements médicaux, veuillez vous reporter aux directives du National Institute for Clinical Excellence relatives à la prévention des infections [www.nice.org.uk/CG139](http://www.nice.org.uk/CG139) et à votre réglementation locale de prévention des infections.
- Nettoyez régulièrement le produit à la main.
- N'utilisez pas d'agents de nettoyage abrasifs.

#### Nettoyage de l'assise et du dossier



#### ATTENTION !

##### Risque de pincement des doigts

- Soyez spécialement prudent lorsque vous nettoyez la zone des ciseaux de levage, car ils risquent de bouger et de provoquer des blessures.

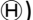


#### IMPORTANT !

##### Risque de dommage matériel

- N'utilisez jamais de nettoyeur à haute pression pour nettoyer le dossier.

1. Lavez le produit avec un chiffon ou une brosse.
2. Rincez le produit à l'eau chaude.

3. Essuyez le produit avec un chiffon.
4. Enduisez la glissière du patin (figure de la section 3.1, ) d'un peu de vaseline.

### Nettoyage des housses (facultatif)



Il est conseillé de nettoyer les housses avant la première utilisation. Par mesure d'hygiène, nous vous recommandons de nettoyer les housses régulièrement et de les changer tous les ans.

1. Déboutonnez les housses de l'assise et du dossier.
2. Lavez les housses en machine à laver à une température maximale de 60 °C et avec un détergent doux.



#### **IMPORTANT !**

##### **Risque de dommage matériel**

- Le lavage à des températures élevées peut provoquer un rétrécissement.
- Ne séchez pas les housses dans un sèche-linge.

### Nettoyage du chargeur et de la télécommande



#### **AVERTISSEMENT !**

##### **Risque de choc électrique**

- Débranchez toujours la fiche de la prise électrique avant de nettoyer le chargeur.
- N'insérez jamais d'objets réalisés en matériau conducteur (par ex. aiguilles à tricoter, fiches métalliques) dans la prise jack de la télécommande.
- N'utilisez jamais de chiffon humide ou trempé pour nettoyer le chargeur.

1. Nettoyez le chargeur avec un chiffon sec.
2. Essuyez la télécommande avec un chiffon humide et séchez-la avec un chiffon sec.



## 7 Après l'utilisation

### 7.1 Stockage



#### **IMPORTANT !**

##### **Risque de détérioration**

- N'entrez pas le produit près d'une source de chaleur.
- N'exposez pas le produit à la lumière directe du soleil.
- Se reporter aux conditions de stockage et de transport figurant dans la section 9.4 Paramètres environnementaux, page 77.

### 7.2 Réutilisation

Ce produit peut être réutilisé. Le nombre de réutilisations dépend de la fréquence et du mode d'utilisation du produit. Avant de le réutiliser, il doit subir une préparation hygiénique (→ 6.2 Nettoyage et désinfection, page 71) et être vérifié afin de s'assurer qu'il peut être employé de façon sûre. Procédez aux réparations éventuellement nécessaires.

### 7.3 Élimination

L'élimination et le recyclage des produits usagés et de leur emballage doit avoir lieu conformément à la législation en vigueur.



#### **AVERTISSEMENT !**

- Ne jetez jamais la télécommande au feu et ne la placez pas près d'une flamme nue.

Signalement obligatoire conformément à la réglementation allemande BattG :

Ce produit contient une batterie aux ions de lithium rechargeable. Les batteries déchargées ou celles ne pouvant plus être rechargées ne doivent pas être jetées avec les rebuts ménagers. Les batteries usagées peuvent contenir des substances nocives susceptibles de constituer un danger pour l'environnement et la santé publique.

Veillez les retourner à votre revendeur ou à votre point de collecte municipal. Le retour est gratuit et obligatoire.

Les batteries déchargées ne doivent être jetées que dans des conteneurs fournis à cet effet ; n'oubliez pas de masquer les pôles des batteries lithium.

## 8 Dépannage

### 8.1 Identification et résolution des pannes



Le tableau suivant fournit des informations sur les dysfonctionnements et leurs causes possibles. Si les instructions fournies ne suffisent pas pour remédier au problème, veuillez contacter directement votre revendeur.

Dysfonctionnement	Cause possible	Solution
Le verin ne fait aucun bruit / L'élévateur ne bouge pas.	La prise jack de la télécommande n'est pas insérée correctement.	Verrouillez la prise jack, → 3.3 Montage de l'élévateur, page 61.
	La batterie est déchargée.	Rechargez entièrement la batterie, → 3.4 Chargement de la batterie, page 63.
	Les contacts sont sales.	Nettoyez la fiche jack située sur le dossier, → Le cas échéant, contactez votre revendeur.
	Le câble est écrasé / endommagé.	Remplacez la télécommande, → Le cas échéant, contactez votre revendeur.
L'élévateur peut monter mais ne peut pas descendre.	La protection de basse tension est activée.	Rechargez entièrement la batterie, → 3.4 Chargement de la batterie, page 63.
L'élévateur s'arrête en cours de levage.	La charge est trop importante.	Respectez la charge maximale, → 9.1 Dimensions et poids, page 76.
L'élévateur de bain n'adhère pas correctement à la baignoire.	Les ventouses sont vieilles ou endommagées.	Remplacez les ventouses, → Le cas échéant, contactez votre revendeur.
La batterie ne se recharge pas et le témoin rouge clignote pendant le chargement.	Problème d'ordre électronique.	Contactez votre revendeur agréé afin qu'il vérifie la télécommande.
	Batterie défectueuse.	Remplacez la télécommande.

<b>Dysfonctionnement</b>	<b>Cause possible</b>	<b>Solution</b>
	Chargeur défectueux.	Contactez votre revendeur agréé afin qu'il vérifie le chargeur.
	La batterie est trop chaude.	Ne chargez pas la télécommande près de sources de chaleur (p. ex. chauffage, lumière directe du soleil). Le chargement se poursuit dès que la température passe en dessous du seuil critique.

## 9 Caractéristiques techniques

### 9.1 Dimensions et poids

Longueur totale en position la plus basse	920 mm
Longueur totale en position la plus haute	650 mm
Hauteur totale en position la plus haute	1075 mm
Longueur de l'assise	590 mm
Largeur de l'assise avec rabats latéraux dépliés vers l'extérieur	715 mm
Largeur de l'assise avec rabats latéraux dépliés vers l'intérieur	390 mm
Hauteur de l'assise en position la plus basse	60 mm
Hauteur de l'assise en position la plus haute	420 mm
Largeur du dossier	360 mm
Angle minimum du dossier	8°
Largeur de la plaque de base	295 mm
Charge maxi (ORCA / ORCA F) Charge maxi (ORCA XL)	140 kg 170 kg
Poids total sans la télécommande (ORCA) (ORCA F) (ORCA XL)	10,8 kg 11,4 kg 11,6 kg
Poids de l'assise (ORCA) (ORCA F) (ORCA XL)	6,6 kg 7,2 kg 7,4 kg

Poids du dossier (ORCA / ORCA F / ORCA XL)	4,2 kg
Poids de la télécommande	0,4 kg
Poids du chargeur	0,1 kg

### 9.2 Données électroniques

Force d'activation des boutons de la télécommande	< 5 N
Tension de fonctionnement de la télécommande <sup>1)</sup>	10,8 V DC / 14 V DC
Puissance nominale d'entrée <sup>1)</sup>	43 VA / 56 VA
Intensité nominale	4 A
Type de batterie	Ions lithium
Alimentation du chargeur	100 - 240 V AC, 50 - 60 Hz
Sortie du chargeur	24 V DC, 135 mA, 3 VA
Durée de chargement à partir de l'avertissement de faible tension	environ 4,5 h
Indice de protection, vérin	IP X6 W <sup>2)</sup>
Indice de protection, télécommande	IP 67 <sup>3)</sup>
Indice de protection, appareil complet	IP X6 <sup>4)</sup>
Niveau sonore	52 dB(A)

1) 10,8 V DC / 43 VA valide lorsque vous utilisez les télécommandes avec une tension de 10,8 V, indiquée à l'arrière de la télécommande.

14 V DC / 56 VA valide lorsque vous utilisez les télécommandes avec une tension de 14 V, indiquée à l'arrière de la télécommande.

2) Protégé contre la pénétration d'eau en cas de jets de forte pression, testé dans les conditions météorologiques stipulées.

3) À l'épreuve de la poussière et protégé contre la pénétration d'eau en cas d'immersion temporaire.

4) Protégé contre la pénétration d'eau en cas de jets de forte pression.

### 9.3 Matériaux

Dossier	PPGF
Plaque d'assise	PPGF
Revêtement	PVC



Tous les matériaux sont résistants à la corrosion et exempts de latex.

### 9.4 Paramètres environnementaux

Conditions de fonctionnement	
Température ambiante	10 °C - 40 °C
Humidité relative	15 % - 93 %, sans condensation

Pression atmosphérique	795 hPa - 1060 hPa
Conditions de stockage et de transport	
Température ambiante	0 °C - 40 °C
Humidité relative	30 % - 75 %, sans condensation
Pression atmosphérique	795 hPa - 1060 hPa



---

# Contenido

---

Este manual DEBE ser entregado al usuario final. ANTES de usar este producto lea este manual y guárdelo para futuras referencias.

<b>1 Generalidades</b>	<b>80</b>
1.1 Información general	80
1.2 Símbolos en este manual del usuario	80
1.3 Garantía	80
1.4 Cumplimiento	80
1.5 Uso previsto	81
1.6 Vida útil	81
<b>2 Seguridad</b>	<b>82</b>
2.1 Información sobre seguridad	82
2.2 Información de seguridad sobre compatibilidad electromagnética	82
2.3 Etiquetas y símbolos en el producto	83
<b>3 Instalación</b>	<b>85</b>
3.1 Información sobre seguridad	85
3.2 Volumen de entrega	85
3.3 Instalación del elevador de bañera	86
3.4 Carga de la batería	89
<b>4 Utilización</b>	<b>91</b>
4.1 Información de seguridad	91
4.2 Control del elevador de bañera	91
4.3 Baño	93
<b>5 Transporte</b>	<b>95</b>
5.1 Información de seguridad	95
5.2 Desmontaje del elevador de bañera	95
<b>6 Mantenimiento</b>	<b>97</b>
6.1 Mantenimiento y servicio	97
6.2 Limpieza y desinfección	97

<b>7 Después del uso</b>	<b>99</b>
7.1 Almacenamiento	99
7.2 Reutilización	99
7.3 Eliminación	99
<b>8 Solución de problemas</b>	<b>100</b>
8.1 Identificación y reparación de fallos	100
<b>9 Datos técnicos</b>	<b>102</b>
9.1 Dimensiones y peso	102
9.2 Datos electrónicos	102
9.3 Materiales	103
9.4 Parámetros medioambientales	103

# 1 Generalidades

## 1.1 Información general

Este manual del usuario aporta indicaciones importantes sobre el uso del mismo. Para utilizarlo de modo seguro, lea atentamente el manual del usuario en su totalidad y tenga en cuenta las indicaciones de seguridad. Las especificaciones de posición (A, B, C, etc.) que aparecen en las instrucciones de uso hacen siempre referencia a la figura anterior.

## 1.2 Símbolos en este manual del usuario

En este manual del usuario, las advertencias están marcadas con símbolos. El título junto al símbolo de advertencia indica el nivel de peligro.



### ADVERTENCIA

Indica una situación peligrosa que, si no se evita, puede tener como consecuencia la muerte o lesiones graves.



### PRECAUCIÓN

Indica una situación peligrosa que, si no se evita, puede tener como consecuencia lesiones leves.



### IMPORTANTE

Indica una situación peligrosa que, si no se evita, puede ocasionar daños.



Consejos útiles, recomendaciones e información para garantizar un funcionamiento eficaz y sin problemas.



Este producto cumple con la directiva 93/42/CEE sobre dispositivos médicos. La fecha de lanzamiento de este producto se especifica en la declaración de conformidad CE.



Fabricante

## 1.3 Garantía

Ofrecemos la garantía del fabricante del producto conforme a nuestras Condiciones generales y Condiciones comerciales en los distintos países. Las reclamaciones relativas a la garantía sólo pueden efectuarse a través del distribuidor en el que se adquirió el aparato.

Las fundas y las ventosas están excluidas.

## 1.4 Cumplimiento

La calidad es sumamente importante para nuestra empresa; todos los procesos se basan en las normas ISO 9001 e ISO 13485.

Este producto lleva la marca CE correspondiente, en cumplimiento con la Directiva sobre dispositivos médicos 93/42/CEE Clase 1.

El producto cumple los requisitos de las normas EN ISO 14971 (Dispositivos médicos - Aplicación de gestión de riesgos a dispositivos médicos), EN ISO 10535 (Grúas para el traslado de personas con discapacidad. Requisitos y métodos de ensayo).

Tiene una capacidad de elevación equivalente a más de 1,5 veces la carga nominal.



Invacare® trabaja continuamente para garantizar que se reduzca al mínimo el impacto medioambiental de la empresa, tanto a nivel local como global.

- Cumplimos con la normativa medioambiental actual (por ejemplo, las directivas RAEE y RoHS).
- Solo utilizamos materiales y componentes que cumplen con las directivas REACH.

Para obtener más información, póngase en contacto con Invacare® en su país (las direcciones de contacto se incluyen en la contraportada de este manual).

## 1.5 Uso previsto

Los elevadores de bañera facilitan la entrada y la salida de la bañera. Están pensados solamente como ayuda en el baño para personas con movilidad reducida. Se prohíbe cualquier otro uso.

### Indicaciones

- Reducción significativa de la funcionalidad o falta de funcionalidad en las extremidades superiores o inferiores (amputaciones, parálisis, trastornos articulares, trastornos neuromusculares con deficiencias en las extremidades) en casos en los que la persona no puede entrar y salir de la bañera o sentarse y levantarse por sí misma. Debe haber un control suficiente del tronco y de la funcionalidad básica de las extremidades.

- Consecuencias crónicas de una enfermedad con limitaciones funcionales de las extremidades superiores o inferiores que no permiten un baño independiente, pero sí un baño suficientemente independiente con la ayuda de un elevador de bañera en los casos en los que no es suficiente el uso de otras ayudas para compensar la discapacidad.

### Contraindicaciones

No existen contraindicaciones asociadas con el uso adecuado del producto.

## 1.6 Vida útil

La vida útil prevista es de cinco años, siempre y cuando el producto se utilice diariamente y conforme a las instrucciones de seguridad y las instrucciones de mantenimiento, y se respete el uso previsto, tal y como se indica en el presente manual.

## 2 Seguridad

### 2.1 Información sobre seguridad



#### ¡ADVERTENCIA!

- No utilice este producto ni cualquier otro equipo opcional disponible sin antes haber leído y comprendido estas instrucciones y cualquier otro material informativo adicional, como manuales del usuario, manuales de servicio u hojas de instrucciones, proporcionados con este producto o equipo opcional. Los manuales de productos de Invacare se encuentran disponibles en Internet o a través de su distribuidor local (la información de contacto se incluye en la contraportada de este manual).
- Si tiene alguna duda relacionada con las advertencias, precauciones o instrucciones, póngase en contacto con un profesional sanitario, su distribuidor o un técnico antes de intentar utilizar este equipo. De lo contrario, existe el riesgo de producirse lesiones o daños.



#### ¡ADVERTENCIA!

##### Riesgo de lesiones

- No utilice el producto si es defectuoso.
- En caso de producirse un fallo de funcionamiento, póngase en contacto con un distribuidor inmediatamente.
- No realice ningún cambio o modificación del producto sin autorización.
- Utilice únicamente recambios diseñados para este producto.



#### ¡ADVERTENCIA!

##### Riesgo de lesiones

- No se suba sobre el elevador de bañera para entrar o salir de la misma y no lo use para subir o bajar, como plataforma de elevación ni con ningún propósito similar.



#### ¡IMPORTANTE

- La información incluida en este documento está sujeta a cambios sin previo aviso.
- Compruebe que todas las piezas le hayan sido entregadas en perfecto estado y pruébelas antes de usarlas.

### 2.2 Información de seguridad sobre compatibilidad electromagnética

La compatibilidad electromagnética de este producto se ha probado con éxito según las normas internacionales. Sin embargo, existen campos electromagnéticos como los que se generan por transmisores de radio y televisión, equipo

de radio y teléfonos móviles, que pueden influir en el funcionamiento de productos con unidades eléctricas. Los componentes electrónicos que se emplean en este producto también pueden producir interferencias electromagnéticas débiles, aunque se encuentran por debajo de los límites establecidos por ley. Por lo tanto, debe tener en cuenta las siguientes advertencias:



### ¡PRECAUCIÓN!

#### Interferencia electromagnética

Los equipos de comunicación inalámbricos como, por ejemplo, enrutadores WLAN, teléfonos móviles, teléfonos inalámbricos y su base o walkie-talkies pueden afectar a este equipo.

- Asegúrese de que dichos equipos están a una distancia de 2 m como mínimo del elevador de bañera.



### ¡PRECAUCIÓN!

#### Interferencia electromagnética

La interferencia electromagnética puede provocar que el dispositivo se detenga repentinamente o que empiece a moverse por cuenta propia (aunque esto es muy improbable que suceda).

- Desconecte el dispositivo externo y/o el producto Invacare® si observa un comportamiento como este.
- Si otros productos médicos que funcionan con electricidad causan una interferencia o el funcionamiento de estos productos sufre una alteración, desconecte su producto Invacare® y póngase en contacto con el distribuidor.

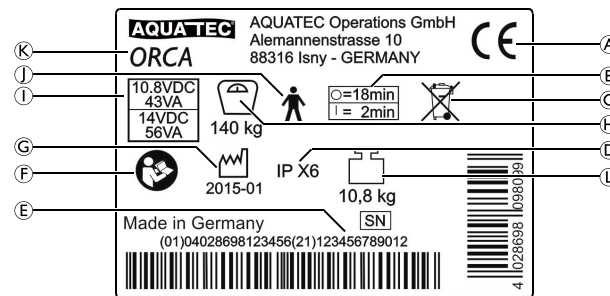


Puede solicitar la guía y la declaración del fabricante sobre inmunidad y emisiones electromagnéticas al contacto de Invacare® en su país.

## 2.3 Etiquetas y símbolos en el producto

### Placa de identificación

La placa de identificación incluye información importante:



(A)	Distintivo de conformidad
(B)	Ciclo de trabajo (operación continuada de la máquina no está permitida) : max.2 min en continuo por 18 min de descanso. (máx. 10%, máx. 2 min / 18 min)
(C)	Nota (eliminación)
(D)	Tipo de protección
(E)	Número de serie del dispositivo
(F)	Nota (consulte los documentos anexos)

Ⓒ	Periodo de fabricación
Ⓗ	Capacidad de carga
Ⓛ	Tensión nominal/potencia nominal, consulte la sección 9.2 Datos electrónicos, página 102
Ⓜ	Pieza aplicada de tipo B
Ⓚ	Designación del dispositivo
Ⓛ	Peso del producto



La placa de identificación se coloca en la parte trasera del respaldo.

## 3 Instalación

### 3.1 Información sobre seguridad



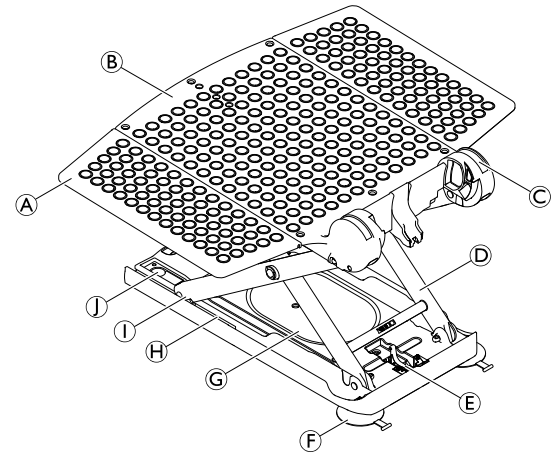
#### ¡ IMPORTANTE

- Compruebe que los componentes no se han dañado durante el transporte antes de ponerlos en funcionamiento; póngase en contacto con el distribuidor si es necesario.
- Durante el montaje, compruebe que las piezas estén correctamente colocadas unas con respecto a las otras.
- Se recomienda lavar las fundas antes de usarlas por primera vez, consulte el capítulo 6.2 Limpieza y desinfección, página 97.

### 3.2 Volumen de entrega

Este manual del usuario se refiere a los modelos ORCA, ORCA F y ORCA XL. Estos modelos difieren en lo relativo al peso y al peso máximo del usuario, consulte la sección 9.1 Dimensiones y peso, página 102. Los tres modelos disponen, como opción, de funda para el asiento y para el respaldo. El respaldo no puede bajarse en el modelo ORCA F. Los siguientes componentes se incluyen en el envío:

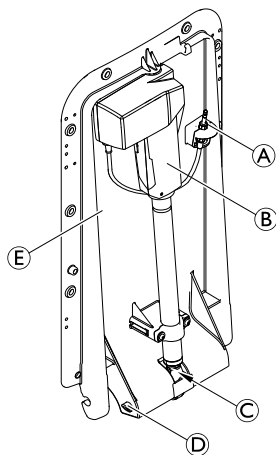
#### Asiento



(A)	Solapa lateral
(B)	Placa del asiento
(C)	Articulación para el respaldo
(D)	Mecanismo de elevación de tipo tijera
(E)	Alojamiento del pie del husillo
(F)	Ventosas traseras (dos lengüetas con rosca)
(G)	Placa base
(H)	Guía de la zapata de deslizamiento

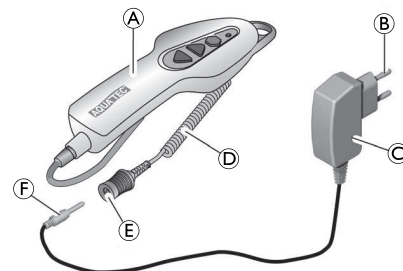
①	Zapata de deslizamiento
①	Ventosas delanteras (una lengüeta con cabezal)

## Respaldo



(A)	Clavija jack
(B)	Pistón
(C)	Pie del husillo
(D)	Pasador de bloqueo
(E)	Placa del respaldo

## Mando y cargador



(A)	Mando con batería
(B)	Enchufe de red
(C)	Cargador
(D)	Cable espiral del mando
(E)	Enchufe hembra del mando
(F)	Clavija jack del cargador

## 3.3 Instalación del elevador de bañera



### ¡ADVERTENCIA! Riesgo de deslizamiento

El elevador de bañera puede deslizarse si las ventosas no cuentan con un buen agarre.

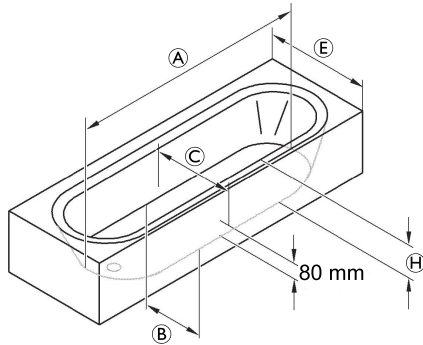
- Limpie la bañera y las ventosas con un paño húmedo antes de ajustar el elevador de bañera.
- Una vez ajustado, no cambie la posición del elevador de bañera dentro de la bañera.



**¡ADVERTENCIA!**

**Riesgo de lesiones y daños**

- Coloque el elevador de bañera solamente en bañeras que cumplan las especificaciones de la siguiente tabla.
- Si se produce un desbordamiento lateral en la bañera, utilice las solapas laterales especiales (disponibles como accesorio).



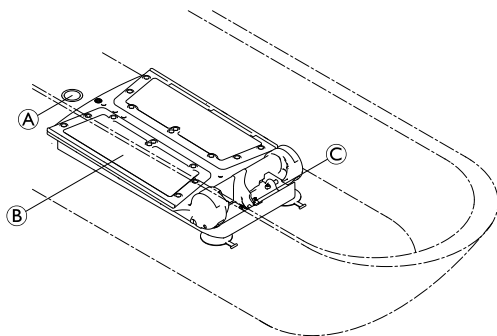
Ⓐ	Longitud de la bañera, fondo	≥ 800 mm
Ⓑ	Anchura de la bañera, fondo (interior)	280 - 600 mm
Ⓒ	Anchura de la bañera, a 80 mm de altura (interior)	≥ 430 mm

Ⓔ	Anchura de la bañera (exterior)	580 - 690 mm (con solapas laterales estándar)  700 - 740 mm (con solapas laterales estándar)  750 - 1000 mm (con solapas laterales estándar)
Ⓕ	Altura de la bañera (interior)	≤ 420 mm (con adaptador de altura, máx. + 60 mm)

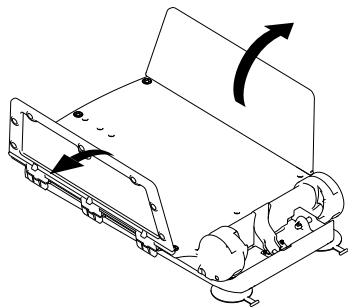


**¡IMPORTANTE!**

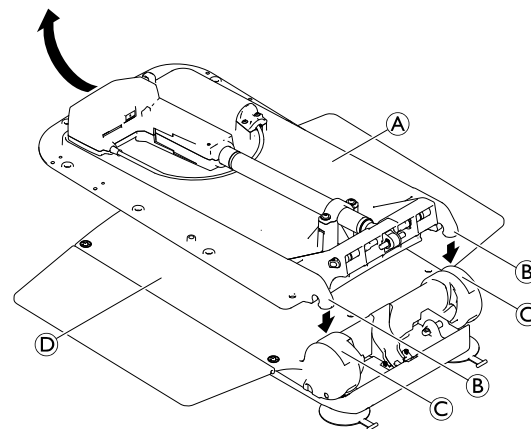
- Asegúrese de que las ventosas estén colocadas.
- Asegúrese de que la batería del mando esté cargada.
- Asegúrese de que el pie del husillo esté completamente insertado.
- Al levantar los componentes del elevador de bañera, estudie bien los pesos, consulte la sección 9.1 Dimensiones y peso, página 102
- Si la bañera dispone de una barandilla, utilice los separadores de las solapas laterales (disponibles como accesorio).
- Las solapas laterales se deben abatir hacia fuera antes de elevar el respaldo.



1. Coloque el asiento **B** sobre el fondo de la bañera vacía. Asegúrese de que el alojamiento del pie del husillo **C** esté orientado hacia el extremo de la bañera situado en el lado opuesto del desagüe **A**.



2. Abata las solapas laterales del asiento hacia fuera.



3. Coloque el respaldo **A** (sin el mando manual) sobre el asiento de tal manera que los ganchos **B** del respaldo encajen en las articulaciones **C** de la placa del asiento **D**.



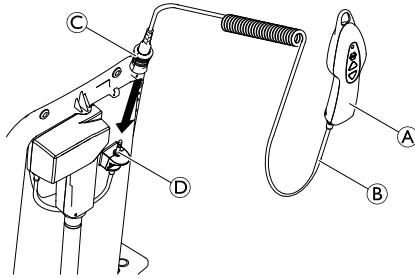
**¡IMPORTANTE!**  
**Riesgo de daños**

El producto se puede dañar a causa de un desplazamiento hacia fuera del pie del husillo.

- Antes de abatir el respaldo, compruebe que el husillo se encuentre completamente retraído y que el pie del husillo está nivelado y no torcido.
- Una vez que se haya abatido el respaldo, compruebe que el pie del husillo se encuentre dentro de su alojamiento.



4. Sujete el respaldo por el centro del extremo superior y levántelo con cuidado hasta la posición final.



5. Conecte el enchufe hembra, con el manguito de desbloqueo © correspondiente al cable espiral © del mando manual ©, en la clavija jack © hasta que el mecanismo de bloqueo encaje perceptiblemente.

**!** **¡IMPORTANTE!**  
**Riesgo de daños**

- Asegúrese de que el respaldo no toca el borde de la bañera.
- Si es necesario, ponga el elevador más hacia delante en la bañera.

### 3.4 Carga de la batería

El elevador de bañera no debe usarse cuando la batería se está cargando.



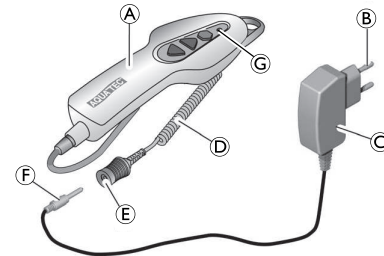
**¡ADVERTENCIA!**  
**Riesgo de descarga eléctrica**

- Recargue la batería únicamente en entornos secos a temperatura ambiente (de 15 °C a 25 °C) y bajo ningún concepto en el cuarto de baño.



**¡IMPORTANTE!**

- Para cargar la batería del mando, utilice exclusivamente el cargador suministrado (Aquatec® Orca / Orca F / Orca XL).
- Enchufe el cargador únicamente a la corriente eléctrica cuando el mando ya esté conectado al cargador.
- Asegúrese de que la especificación de tensión del cargador coincida con la tensión de la corriente eléctrica.



1. Conecte la clavija jack ⑥ del cargador ③ en el enchufe hembra ⑤ correspondiente al cable espiral ④ del mando ① hasta que encaje.
2. Conecte el enchufe de red ② del cargador en una toma de corriente.



La lámpara indicadora roja ⑦ del mando se apaga cuando la batería está completamente cargada. No es posible „sobrecargar“ la batería.

3. Desconecte el cargador de la toma de corriente.
4. Extraiga la clavija jack del cargador del enchufe hembra correspondiente al mando.

## 4 Utilización

### 4.1 Información de seguridad



#### ¡PRECAUCIÓN!

Si sobrecarga el elevador de bañera, puede provocar daños en el dispositivo o evitar que se eleve.

- No sobrecargue el elevador de bañera y tenga en cuenta las especificaciones de la placa de identificación y los datos técnicos de la sección 9.1 Dimensiones y peso, página 102 en relación con la capacidad de carga.



#### ¡PRECAUCIÓN!

##### Peligro de atraparse los dedos

- No introduzca los dedos en la guía que se encuentra entre la placa del asiento y el respaldo.
- No coloque los dedos debajo de la base del asiento o entre los mecanismos de elevación tipo tijera.



#### ¡IMPORTANTE!

La humedad puede penetrar en un mando defectuoso y dar lugar a un cortocircuito e incendio.

- Antes de utilizarlo, realice siempre una inspección visual del producto para detectar posibles daños externos.
- Si la carcasa del mando está dañada o muestra fisuras, no utilice el mando.
- Recargue completamente la batería antes de cada uso, 3.4 Carga de la batería, página 89.

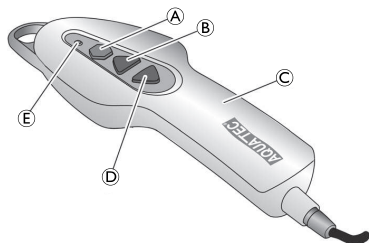
1. Consulte las condiciones de funcionamiento en la sección 9.4 Parámetros medioambientales, página 103

### 4.2 Control del elevador de bañera

El elevador de bañera puede moverse en las siguientes direcciones:




El elevador de bañera se controla por medio del mando.



**!** **¡IMPORTANTE!**  
**Riesgo de daños**

– El mando solo puede usarse cuando el respaldo está correctamente colocado y en posición vertical.

**!** **¡IMPORTANTE!**  
Si la batería del mando © no está suficientemente cargada, la lámpara indicadora roja ⑤ se encenderá cuando el botón BAJAR ④ esté pulsado. En este caso, se desactiva la función de bajada del elevador de bañera. Sin embargo, sí que podrá elevarlo.  
– Recargue la batería inmediatamente después de elevar el aparato.

 Con la batería completamente cargada, los aparatos Aquatec® Orca y Orca F se pueden utilizar en 5 baños con una carga de 140 kg. El aparato Orca XL se puede utilizar en 4 baños con una carga de 170 kg.

## Elevación del elevador de bañera

**!** **¡IMPORTANTE!**  
Cuando el respaldo esté abajo, su primer movimiento se efectúa hacia la posición vertical (excepto en el modelo Orca F).

1. Pulse el botón SUBIR ② del mando y manténgalo pulsado.  
El respaldo se moverá hasta la posición vertical o el asiento se desplazará hacia arriba.
2. Suelte el botón SUBIR del mando manual.  
El elevador de bañera se detendrá en esta posición.

## Descenso del elevador de bañera

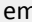
**!** **¡IMPORTANTE!**  
Si el asiento ya se ha bajado, el respaldo descende hacia atrás (excepto en el modelo Orca F).

1. Pulse el botón BAJAR ④ del mando y manténgalo pulsado.  
El asiento bajará o el respaldo girará hacia la parte posterior.
2. Suelte el botón BAJAR del mando.  
El elevador de bañera se detendrá en esta posición.

## Interruptor de parada de emergencia



### ¡IMPORTANTE!

Pulse únicamente el botón de parada de emergencia  si el aparato no se detiene en el momento de soltar el botón SUBIR o BAJAR (por ejemplo, al atascarse un botón). El movimiento del elevador de bañera se detiene al instante y el diodo emisor de luz de color rojo integrado en el mando se ilumina.

Si el fallo se ha rectificado, la luz indicadora roja se apagará tras soltar el botón de parada de emergencia (por ejemplo, el botón se suelta de nuevo). El aparato volverá a estar listo para el funcionamiento.

Si el fallo no se ha rectificado todavía, la luz indicadora roja seguirá estando encendida tras soltar el botón de parada de emergencia. El aparato no estará listo para el funcionamiento y deberá repararse, por ejemplo, en caso de daño del sistema eléctrico.

1. Si es necesario, póngase en contacto con su distribuidor.

## 4.3 Baño



### ¡ADVERTENCIA!

#### Riesgo de deslizamiento

El elevador de bañera puede deslizarse si las ventosas no cuentan con un buen agarre.

- Antes de utilizar el elevador de bañera, asegúrese de que esté colocado correctamente y de que no pueda volcarse.
- Asegúrese de que el elevador de bañera se ajuste en la bañera, → 3.3 Instalación del elevador de bañera, página 86.



### ¡ADVERTENCIA!

- Si, debido su estado, no puede bañarse por sí mismo, utilice únicamente el aparato bajo la supervisión de otra persona.
- Si maneja el dispositivo sin supervisión, asegúrese de disponer de un sistema de alarma o un teléfono a mano en caso de acontecimientos imprevistos (por ejemplo, un mal funcionamiento).



### ¡PRECAUCIÓN!

Los aceites o las sales de baño pueden perjudicar el rendimiento del mecanismo de elevación de tipo tijera.

- Si usa aceites o sales de baño, preste atención a la dosis recomendada.

**!** ¡IMPORTANTE!

- Haga que el mecanismo de elevación se mueva una vez hacia arriba y hacia abajo sin carga (prueba de funcionamiento).
- Antes de utilizarlo, compruebe la temperatura del agua del baño.

1. Mantenga pulsado el botón SUBIR **Ⓑ** hasta que el asiento quede al mismo nivel del borde de la bañera.
2. Asegúrese de que las solapas laterales queden al mismo nivel del asiento y de que se apoyen sobre el borde de la bañera.
3. Llene la bañera de agua.
4. Siéntese sobre la solapa lateral más cercana a usted, igual que si se sentara sobre una silla.
5. Deslícese hacia atrás hasta quedar sentado en la mitad del asiento.
6. Gire hasta la posición del baño. Para ello, pase primero una pierna y después la otra por encima del borde de la bañera.
7. Una vez que esté correctamente sentado, pulse el botón BAJAR **Ⓒ** y manténgalo pulsado para bajar el asiento en la bañera.

**i** Una vez que el asiento alcance la posición inferior, podrá reclinar el respaldo si sigue pulsando el botón BAJAR **Ⓒ**. Hacer esto facilita una postura de baño más cómoda y permite sumergirle aún más en el agua del baño (excepto en el modelo Orca F).

8. Continúe pulsando el botón BAJAR hasta que el respaldo alcance la posición deseada.



Para salir de la bañera, siga los mismos pasos en el orden inverso.

9. Para elevar el asiento o el elevador de bañera, pulse el botón SUBIR **Ⓑ** y manténgalo pulsado hasta alcanzar la posición deseada.



**!** ¡IMPORTANTE!

- Desconecte el mando del dispositivo cuando el elevador de bañera no este en uso, consulte la sección 5.2 Desmontaje del elevador de bañera, página 95, paso 3.

## 5 Transporte

### 5.1 Información de seguridad



#### ¡PRECAUCIÓN!

Cuando el respaldo está abatido, no se encuentra bloqueado y es posible que se desprenda.

- No extraiga las ventosas cuando transporte el elevador de bañera.
- Extraiga el mando del respaldo durante el transporte.
- Consulte las condiciones de envío y almacenamiento en la sección 9.4 Parámetros medioambientales, página 103

1. Extraiga el mando.
2. Desmonte el elevador de bañera en dos partes para efectuar el transporte (asiento y respaldo). Para obtener más información sobre cómo efectuar el desmontaje, consulte la sección 5.2 Desmontaje del elevador de bañera, página 95.

### 5.2 Desmontaje del elevador de bañera

1. Vacíe la bañera.
2. Baje el elevador de bañera con el botón BAJAR hasta que el respaldo se detenga en la posición final inferior, → 4.2 Control del elevador de bañera, página 91.

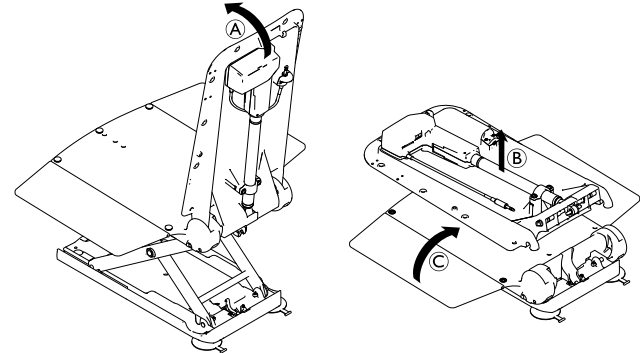
3. Desbloquee el enchufe hembra correspondiente al cable espiral del mando. Para ello, desplace el manguito de desbloqueo hacia arriba y extráigalo de la clavija jack.



#### ¡IMPORTANTE!

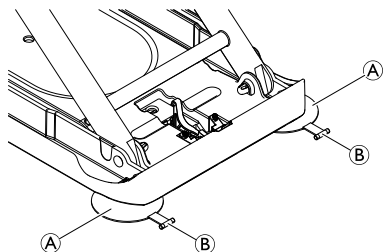
#### Riesgo de daños

- Al abatir el respaldo, asegúrese de que el cable espiral del mando no quede atrapado.
- Abata el respaldo únicamente cuando ya no quede agua en la bañera.



4. Sujete el respaldo con una mano por el extremo superior y abátalo hacia adelante hasta alcanzar la posición final **A**.
5. Levante el respaldo hasta extraerlo del asiento y sáquelo de la bañera **B**.

6. Abata las solapas laterales del asiento hacia adentro ©.



**¡IMPORTANTE!**

- Suelte las dos ventosas traseras al mismo tiempo.

7. Para soltar la ventosa trasera (A), levante la lengüeta (B).  
8. Levante un poco la parte trasera del asiento. Esto hará que se suelten las ventosas delanteras.



**¡IMPORTANTE!**

- Si los adaptadores de altura están instalados (opcional), también deberá tirar de las lengüetas de las ventosas delanteras para soltarlas.

9. Saque el asiento de la bañera.  
10. Guarde con cuidado todas las piezas del elevador de bañera.



## 6 Mantenimiento

### 6.1 Mantenimiento y servicio

Si se siguen las indicaciones de limpieza y seguridad, el producto no necesitará mantenimiento.

**!** **IMPORTANTE**  
Únicamente el fabricante del elevador de bañera puede abrir el mando.

1. Compruebe con regularidad que el producto no esté dañado y que esté montado de forma segura.
2. En caso de producirse daños y/o reparaciones necesarias, póngase en contacto de inmediato con el distribuidor.
3. El elevador de bañera debe revisarlo un distribuidor autorizado antes de cada reutilización. Se recomienda revisar el elevador de bañera tras 24 meses como máximo (de acuerdo con la norma EN ISO 10535).
4. Si no utiliza el elevador de bañera durante un periodo prolongado, cargue totalmente la batería y a continuación haga que el elevador de bañera se desplace 3 veces hacia arriba y hacia abajo sin carga alguna. Repita este proceso cada 3 meses. Así se mantendrá la vida útil de la batería.

### 6.2 Limpieza y desinfección

El dispositivo puede limpiarse y desinfectarse con productos disponibles en el mercado.

1. Desinfecte el dispositivo limpiando todas las superficies accesibles con desinfectante (después de desmontarlo, si es posible).

**!** **IMPORTANTE**  
Todos los productos de limpieza y desinfectantes empleados deben ser eficaces, compatibles entre sí y deben proteger los materiales que se van a limpiar.

- Para obtener más información sobre la descontaminación en entornos sanitarios, consulte las directrices del "Instituto nacional de excelencia clínica" sobre el control de infecciones [www.nice.org.uk/CG139](http://www.nice.org.uk/CG139), así como su política local de control de infecciones.
- Limpie el dispositivo a mano con regularidad.
- No utilice productos de limpieza abrasivos.


#### Limpieza del asiento y del respaldo



**¡PRECAUCIÓN!**  
**Peligro de atraparse los dedos**

- Al limpiar, tenga especial cuidado con el área del mecanismo de elevación de tipo tijera, ya que podría moverse y causar lesiones.

**!** **IMPORTANTE**  
**Riesgo de daños**  
– No limpie nunca el respaldo con un limpiador a alta presión.

1. Lave el producto utilizando un paño o un cepillo.
2. Enjuague el producto con agua caliente.
3. Seque el producto con un paño.
4. Engrase la guía para el patín de deslizamiento ligeramente (Figura de la Sección 3.1, ) con vaselina.

## Limpieza de las fundas (opcional)



Se recomienda lavar las fundas antes de usarlas por primera vez. Por motivos de higiene, se recomienda lavar las fundas regularmente y cambiarlas una vez al año.

1. Desabotone las fundas del asiento y del respaldo.
2. Lave las fundas en una lavadora a una temperatura máxima de 60 °C con un detergente suave.



### IMPORTANTE

#### Riesgo de daños

- Si se lava a temperaturas altas, los materiales pueden encoger.
- No seque las fundas en la secadora.

## Limpieza del cargador y del mando



### ¡ADVERTENCIA!

#### Riesgo de descarga eléctrica

- Desconecte siempre el enchufe de la toma de corriente antes de limpiar el cargador.
- No introduzca nunca objetos fabricados con materiales conductores (por ejemplo, agujas de tejer o clavos metálicos) en el jack hembra del mando.
- No limpie nunca el cargador con un trapo mojado o húmedo.

1. Limpie el cargador con un paño seco.
2. Limpie el mando con un paño húmedo y séquelo con un paño seco.

## 7 Después del uso

### 7.1 Almacenamiento



#### ¡IMPORTANTE!

#### Riesgo de daños

- No guarde el producto cerca de fuentes de calor.
- No exponga el producto a la luz solar directa.
- Consulte las condiciones de envío y almacenamiento en la sección 9.4 Parámetros medioambientales, página 103

### 7.2 Reutilización

El producto puede reutilizarse. El número de reutilizaciones depende de la frecuencia del uso y de la manera en que se haya usado el producto. Antes de una reutilización, el producto debe someterse a una preparación higiénica (→ 6.2 Limpieza y desinfección, página 97). Asimismo, debe comprobarse que se encuentra en un estado de funcionamiento adecuado y seguro. Si es necesario, repárelo.

### 7.3 Eliminación

Los productos usados y los embalajes se deben desechar y reciclar según las normas legales correspondientes.



#### ¡ADVERTENCIA!

- No arroje nunca el mando al fuego ni lo guarde cerca de una llama viva.

Obligación de informar de acuerdo con la directiva alemana sobre baterías, BattG:

Este producto incluye una batería de ión de litio recargable. Las baterías descargadas o aquellas que ya no se pueden recargar no se deben depositar en la basura doméstica. Las baterías usadas pueden incluir sustancias nocivas para el medio ambiente y la salud pública.

Devuelva estas baterías a un minorista o deposítelas en un punto de recogida municipal. La devolución de las baterías no conlleva coste alguno y está exigido por la ley.

Deposite las baterías descargadas únicamente en los contenedores previstos para ello y, en el caso de las baterías de litio, cubra los polos.

## 8 Solución de problemas

### 8.1 Identificación y reparación de fallos



En la siguiente tabla se incluye información sobre funcionamientos incorrectos y sus posibles causas. Si no puede corregir el mal funcionamiento con las soluciones indicadas, póngase en contacto directamente con su distribuidor.

Fallo	Posible causa	Solución
No se oye el ruido del motor/el elevador no se mueve.	El enchufe hembra del mando manual no se bloquea correctamente.	Bloquee el enchufe hembra, → 3.3 Instalación del elevador de bañera, página 86.
	La batería está descargada.	Recargue completamente la batería, → 3.4 Carga de la batería, página 89.
	Los contactos están sucios.	Limpie la clavija jack del respaldo, → si es necesario, póngase en contacto con su proveedor.
	El cable ha quedado prensado/se ha dañado.	Cambie el mando, → si es necesario, póngase en contacto con su proveedor.
El elevador se puede elevar, pero no bajar.	La protección de bajo voltaje se ha activado.	Recargue completamente la batería, → 3.4 Carga de la batería, página 89.
El elevador se detiene al subir.	La carga en peso es excesiva.	Tenga en cuenta la carga máxima, → 9.1 Dimensiones y peso, página 102
El aparato elevador de bañera no se adhiere a la bañera con seguridad.	Las ventosas están muy usadas o dañadas.	Cambie las ventosas, → si es necesario, póngase en contacto con su proveedor.
La batería no se carga y la luz indicadora roja parpadea durante la carga.	El sistema electrónico es defectuoso.	Solicite al distribuidor autorizado que compruebe el mando.
	La batería es defectuosa.	Cambie el mando.

<b>Fallo</b>	<b>Posible causa</b>	<b>Solución</b>
	El cargador es defectuoso.	Solicite al distribuidor autorizado que compruebe el cargador.
	La batería se calienta demasiado.	No cargue el mando cerca de fuentes de calor como, por ejemplo, aparatos que emiten calor o la luz del sol directa. La carga continúa automáticamente cuando la temperatura desciende a los límites aceptables.

## 9 Datos técnicos

### 9.1 Dimensiones y peso

Longitud total en la posición más baja	920 mm
Longitud total en la posición más alta	650 mm
Altura total en la posición más alta	1075 mm
Longitud del asiento	590 mm
Anchura del asiento con las solapas laterales desplegadas	715 mm
Anchura del asiento con las solapas laterales retraídas	390 mm
Altura del asiento en la posición más baja	60 mm
Altura del asiento en su posición más alta	420 mm
Anchura del respaldo	360 mm
Ángulo mínimo del respaldo	8°
Anchura de la placa base	295 mm
Carga máx. (ORCA / ORCA F) Carga máx. (ORCA XL)	140 kg 170 kg
Peso total sin mando (ORCA) (ORCA F) (ORCA XL)	10,8 kg 11,4 kg 11,6 kg
Peso del asiento (ORCA) (ORCA F) (ORCA XL)	6,6 kg 7,2 kg 7,4 kg

Peso del respaldo (ORCA / ORCA F / ORCA XL)	4,2 kg
Peso del mando	0,4 kg
Peso del cargador	0,1 kg

### 9.2 Datos electrónicos

Fuerza de accionamiento de los botones del mando	< 5 N
Tensión de funcionamiento del mando <sup>1)</sup>	10,8 V DC / 14 V DC
Potencia nominal de entrada <sup>1)</sup>	43 VA / 56 VA
Corriente nominal	4 A
Tipo de batería	Ión de litio
Entrada del cargador	100 - 240 V AC, 50 - 60 Hz
Salida del cargador	24 V DC, 135 mA, 3 VA
Tiempo de carga a partir de la indicación de tensión baja	aprox. 4,5 h
Tipo de protección del accionamiento	IP X6 W <sup>2)</sup>
Tipo de protección del mando	IP 67 <sup>3)</sup>
Tipo de protección de todo el dispositivo	IP X6 <sup>4)</sup>
Nivel de potencia acústica	52 dB(A)

1) 10,8 V DC / 43 VA válido si se utilizan mandos cuyo voltaje, indicado en la parte posterior del mando, sea de 10.8 V.  
14 V DC / 56 VA válido si se utilizan mandos cuyo voltaje, indicado en la parte posterior del mando, sea de 14 V.

2) Protegido para evitar la entrada de agua en el caso de producirse fuertes chorros de agua, probado en las condiciones meteorológicas estipuladas.

3) A prueba de polvo y protegido para evitar la entrada de agua en inmersiones temporales.

4) Protegido para evitar la entrada de agua en el caso de producirse fuertes chorros de agua.

### 9.3 Materiales

Respaldo	PPGF
Placa del asiento	PPGF
Fundas	PVC



Todos los materiales utilizados son resistentes a la corrosión y no contienen látex.

### 9.4 Parámetros medioambientales

Condiciones de funcionamiento	
Temperatura ambiente	De 10 a 40 °C
Humedad relativa	Del 15 % al 93 % sin condensación
Presión atmosférica	De 795 a 1060 hPa

Condiciones de envío y almacenamiento	
Temperatura ambiente	De 0 a 40 °C
Humedad relativa	Del 30 % al 75 % sin condensación
Presión atmosférica	De 795 a 1060 hPa





---

## Sommario

---

Il presente manuale deve essere fornito all'utilizzatore del prodotto. Leggere il presente manuale e conservarlo per eventuali consultazioni successive, PRIMA di utilizzare il prodotto.

<b>1 Generale</b>	<b>.106</b>
1.1 Informazioni generali	.106
1.2 Simboli in questo manuale d'uso	.106
1.3 Garanzia	.106
1.4 Conformità	.106
1.5 Uso previsto	.107
1.6 Durata	.107
<b>2 Sicurezza</b>	<b>.108</b>
2.1 Informazioni per la sicurezza	.108
2.2 Informazioni per la sicurezza relative alla compatibilità elettromagnetica	.108
2.3 Etichette e simboli presenti sul prodotto	.109
<b>3 Messa in servizio</b>	<b>.111</b>
3.1 Informazioni per la sicurezza	.111
3.2 Fornitura	.111
3.3 Installazione del sollevatore per vasca da bagno	.113
3.4 Caricamento della batteria	.115
<b>4 Uso</b>	<b>.117</b>
4.1 Informazioni sulla sicurezza	.117
4.2 Controllo del sollevatore da vasca	.117
4.3 Utilizzo mentre si fa il bagno	.119
<b>5 Trasporto</b>	<b>.121</b>
5.1 Informazioni sulla sicurezza	.121
5.2 Rimozione del sollevatore da vasca	.121
<b>6 Manutenzione</b>	<b>.123</b>
6.1 Manutenzione e assistenza	.123
6.2 Pulizia e disinfezione	.123

<b>7 Dopo l'utilizzo</b>	<b>.125</b>
7.1 Stoccaggio	.125
7.2 Riutilizzo	.125
7.3 Smaltimento	.125
<b>8 Guida alla soluzione dei problemi</b>	<b>.126</b>
8.1 Identificazione e riparazione dei guasti	.126
<b>9 Dati tecnici</b>	<b>.128</b>
9.1 Dimensioni e peso	.128
9.2 Dati elettrici	.128
9.3 Materiali	.129
9.4 Parametri ambientali	.129

# 1 Generale

## 1.1 Informazioni generali

Il presente manuale d'uso contiene informazioni importanti sulla manipolazione del prodotto. Al fine di garantire la sicurezza di utilizzo del prodotto, leggere attentamente il manuale d'uso e seguire le istruzioni per la sicurezza. Le indicazioni di posizione (A, B, C, ecc.) nelle istruzioni d'uso fanno sempre riferimento alla figura precedente.

## 1.2 Simboli in questo manuale d'uso

Nel presente manuale d'uso, le avvertenze sono contrassegnate con dei simboli. Il titolo accanto al simbolo di avvertenza indica il livello di pericolo.



### ATTENZIONE

Indica una situazione pericolosa che, se non evitata, potrebbe causare la morte o gravi lesioni.



### AVVERTENZA

Indica una situazione pericolosa che, se non evitata, potrebbe causare lesioni di lieve entità.



### IMPORTANTE

Indica una situazione pericolosa che, se non evitata, potrebbe causare danni.



Consigli utili, raccomandazioni e informazioni per garantire un funzionamento efficiente e regolare.



Questo prodotto è conforme alla direttiva 93/42/CEE riguardante i prodotti medicali. La data di lancio di questo prodotto è specificata nella dichiarazione di conformità CE.



Fabbricante

## 1.3 Garanzia

Offriamo una garanzia del produttore per il prodotto in conformità ai termini e alle condizioni generali di vendita in vigore nei rispettivi paesi. La garanzia può essere fatta valere solo attraverso il fornitore presso il quale è stato acquistato il prodotto.

I rivestimenti e le ventose ne sono esclusi.

## 1.4 Conformità

La qualità è di fondamentale importanza per la nostra azienda e tutti i processi sono basati sulle norme ISO 9001 e ISO 13485.

Il prodotto è dotato di marchio CE, in conformità con la Direttiva 93/42/CEE concernente i dispositivi medici della classe 1.

Il prodotto soddisfa i requisiti delle norme EN ISO 14971 (Dispositivi medici - Applicazione della gestione dei rischi ai dispositivi medici), EN ISO 10535 (Ausili tecnici per disabili - Requisiti generali e metodi di prova).

Ha una capacità di sollevamento superiore a 1,5 volte il carico nominale.

Invacare® lavora costantemente per garantire che l'impatto ambientale dell'azienda a livello locale e globale sia ridotto al minimo.

- Rispettiamo le normative ambientali in vigore (ad es., le direttive RAEE e RoHS).
- Garantiamo di utilizzare esclusivamente materiali e componenti conformi alla direttiva REACH.

Per ulteriori informazioni, si prega di contattare la filiale Invacare® nel proprio paese (gli indirizzi sono riportati sul retro del presente manuale).

## 1.5 Uso previsto

I sollevatori per vasca da bagno facilitano o consentono l'ingresso e l'uscita da una vasca da bagno. Essi fungono unicamente da ausilio per il bagno per persone con ridotte capacità motorie. Qualsiasi altro uso è vietato.

### Indicazioni

- Riduzione significativa delle funzioni / mancata funzionalità degli arti superiori e/o inferiori (a seguito di amputazione, paralisi, disturbi articolari, disturbi neuromuscolari con indebolimento degli arti); se non è più possibile entrare o uscire in modo autonomo dalla vasca da bagno o sedere e sollevarsi da essa; il controllo del tronco e le funzioni base degli arti devono essere sufficienti.
- Conseguente croniche di malattie con limitazioni funzionali degli arti superiori e/o inferiori che non consentono più di fare il bagno da soli, tuttavia se fare il bagno da soli è possibile in larga misura l'uso del sollevatore da vasca da bagno e di altri ausili per il bagno per compensare la disabilità non è sufficiente.

### Controindicazioni

Non ci sono controindicazioni associate con l'uso corretto del prodotto.

## 1.6 Durata

La durata prevista del prodotto è di cinque anni, ipotizzando un utilizzo quotidiano ed a condizione che sia utilizzato in conformità alle istruzioni per la sicurezza, la manutenzione e l'uso previsto indicate nel presente manuale.

## 2 Sicurezza

### 2.1 Informazioni per la sicurezza



#### ATTENZIONE!

- Non usare questo prodotto o nessun altro dispositivo opzionale disponibile senza prima aver letto attentamente e compreso fino in fondo le presenti istruzioni e ogni altro materiale informativo come il manuale d'uso, il manuale per la manutenzione o i fogli di istruzione forniti con questo prodotto o con i dispositivi opzionali. I manuali dei prodotti Invacare sono disponibili su internet o presso il rivenditore locale (gli indirizzi sono riportati sul retro di copertina del presente manuale).
- Qualora alcune avvertenze, precauzioni o istruzioni fossero di difficile comprensione, vi invitiamo a contattare un operatore sanitario qualificato, il rivenditore o tecnici qualificati prima di iniziare a utilizzare questa apparecchiatura, in modo da evitare possibili lesioni a persone o danni alle cose.



#### ATTENZIONE!

##### Pericolo di lesioni

- Non utilizzare se difettoso.
- In caso di malfunzionamento, contattare immediatamente il rivenditore.
- Non apportare modifiche o alterazioni non autorizzate al prodotto.
- Utilizzare esclusivamente pezzi di ricambio destinati a questo prodotto.



#### ATTENZIONE!

##### Pericolo di lesioni

- Non salire mai in piedi sul sollevatore per vasca da bagno per entrare o uscire dalla vasca da bagno, non usarlo per salire o scendere, come piattaforma di sollevamento né per nessuno scopo simile.



#### IMPORTANTE!

- Le informazioni contenute nel presente manuale possono essere modificate senza preavviso.
- Prima dell'utilizzo, controllare e testare tutte le parti per individuare eventuali danni dovuti al trasporto.

### 2.2 Informazioni per la sicurezza relative alla compatibilità elettromagnetica

Questo prodotto è stato testato con successo secondo le norme internazionali per la sua compatibilità elettromagnetica. Tuttavia, i campi elettromagnetici come quelli generati da trasmettitori radio e televisivi,

apparecchiature radio e telefoni cellulari possono influenzare il funzionamento dei prodotti con azionamenti elettrici. L'elettronica utilizzata in questo prodotto può inoltre causare lievi interferenze elettromagnetiche, tuttavia inferiori ai limiti di legge. Si devono pertanto rispettare le seguenti avvertenze:



#### AVVERTENZA!

##### Interferenze elettromagnetiche

I dispositivi di comunicazione wireless, quali router WLAN, telefoni cellulari, telefoni cordless e relative stazioni base o walkie-talkie, possono influenzare il funzionamento dell'apparecchiatura.

- Assicurarsi che tali dispositivi siano tenuti ad almeno 2 m di distanza dal sollevatore per vasca da bagno.



#### AVVERTENZA!

##### Interferenze elettromagnetiche

Le interferenze elettromagnetiche possono causare l'arresto improvviso oppure (sebbene questo sia altamente improbabile) un movimento autonomo dell'apparecchiatura.

- Se si riscontra tale comportamento, spegnere il dispositivo esterno e/o il prodotto Invacare® utilizzato.
- Se altri prodotti medicali ad azionamento elettrico causano interferenze o producono loro stessi dei disturbi, spegnere il prodotto Invacare® e rivolgersi al proprio rivenditore.

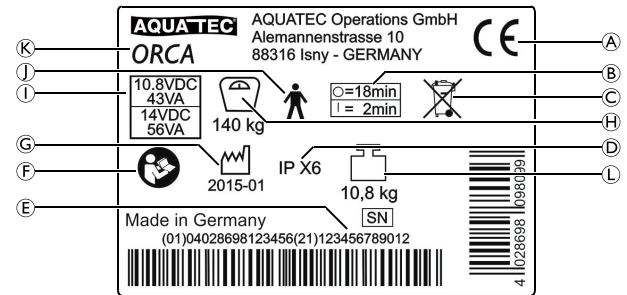


La guida e la dichiarazione del produttore in materia di emissioni elettromagnetiche e immunità alle emissioni possono essere richieste al rappresentante Invacare® nel proprio Paese.

## 2.3 Etichette e simboli presenti sul prodotto

### Etichetta modello

L'etichetta modello riporta anche informazioni importanti:



(A)	Contrassegno di conformità
(B)	Ciclo operativo (massimo 10%, massimo 2 min / 18 min)
(C)	Nota (smaltimento)
(D)	Tipo di protezione
(E)	Numero di serie del dispositivo
(F)	Nota (rispettare i documenti in dotazione)

Ⓒ	Tempo previsto di produzione
Ⓗ	Portata
Ⓛ	Tensione nominale/potenza nominale, vedere sezione 9.2 Dati elettrici, pagina 128
Ⓝ	Parte applicata di tipo B
Ⓚ	Nome del modello
Ⓛ	Peso prodotto



L'etichetta modello è applicata sul retro dello schienale.

## 3 Messa in servizio

### 3.1 Informazioni per la sicurezza



#### IMPORTANTE!

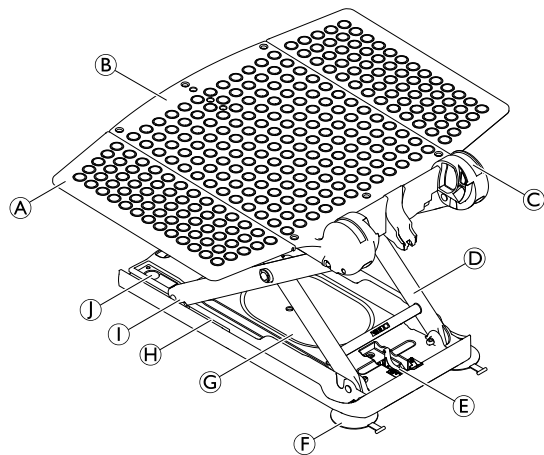
- Prima della messa in servizio controllare che le parti non presentino danni dovuti al trasporto e, se necessario, contattare il rivenditore.
- Assicurarsi che durante il montaggio le parti siano posizionate correttamente l'una rispetto all'altra.
- Si raccomanda di lavare i rivestimenti prima del primo utilizzo, vedere il capitolo 6.2 Pulizia e disinfezione, pagina 123

### 3.2 Fornitura

Il presente manuale d'uso si riferisce ai modelli ORCA, ORCA F e ORCA XL. Questi modelli si differenziano per il loro peso e per il peso massimo dell'utilizzatore, vedere la sezione 9.1 Dimensioni e peso, pagina 128 Per tutti i tre modelli è disponibile come opzione un rivestimento del sedile e dello schienale. Lo schienale non può essere abbassato nel modello ORCA F.

I seguenti componenti sono compresi nella fornitura:

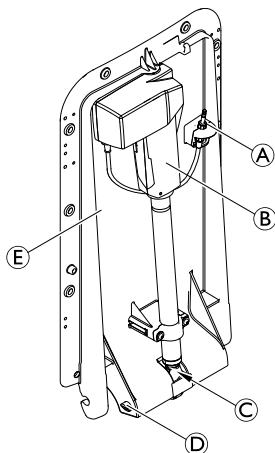
### Sedile



(A)	Ribalta laterale
(B)	Piastra del sedile
(C)	Cerniera per schienale
(D)	Forbici di sollevamento
(E)	Alloggiamento base mandrino
(F)	Ventose posteriori (due linguette con filettatura)
(G)	Piastra di base
(H)	Guida per il pattino scorrevole

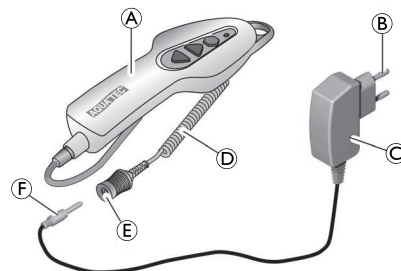
①	Pattino scorrevole
①	Ventose anteriori (una linguetta con testa)

## Schienale



Ⓐ	Spina a jack
Ⓑ	Azionamento
Ⓒ	Base mandrino
Ⓓ	Perno di chiusura
Ⓔ	Piastra, schienale

## Pulsantiera e caricabatteria



Ⓐ	Pulsantiera con batteria
Ⓑ	Spina di alimentazione
Ⓒ	Caricabatteria
Ⓓ	Cavo a spirale pulsantiera
Ⓔ	Pres a jack della pulsantiera
Ⓕ	Spina a jack del caricabatteria



### 3.3 Installazione del sollevatore per vasca da bagno



#### ATTENZIONE!

#### Rischio di scivolamento

Il sollevatore da vasca può scivolare se le ventose non hanno una buona tenuta.

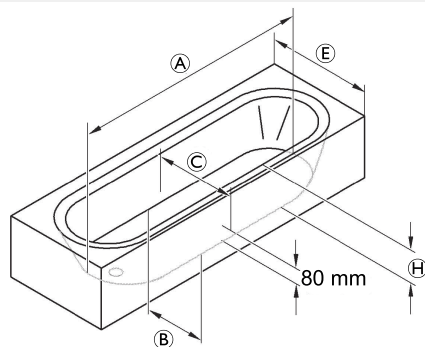
- Pulire la vasca e le ventose con un panno umido prima di installare il sollevatore da vasca.
- Non modificare la posizione del sollevatore da vasca nella vasca una volta che esso è installato.



#### ATTENZIONE!

#### Rischio di lesioni e danni

- Installare il sollevatore da vasca soltanto in vasche conformi alle specifiche della seguente tabella.
- Se la vasca da bagno è dotata di troppopieno laterale, usare le alette laterali speciali (disponibili come accessorio).

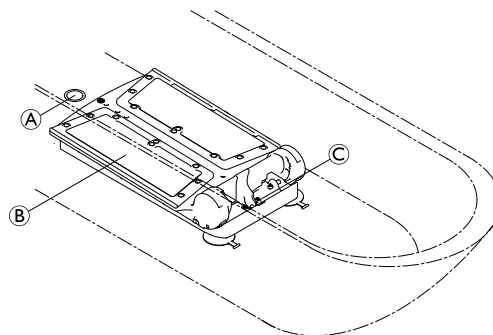


Ⓐ	A Lunghezza vasca, fondo	≥ 800 mm
Ⓑ	Larghezza vasca, fondo (interno)	280 - 600 mm
Ⓒ	Larghezza vasca, a un'altezza di 80 mm (interno)	≥ 430 mm
Ⓔ	E Larghezza vasca (esterna)	580 - 690 mm (con ribalte laterali speciali) 700 - 740 mm (con ribalte laterali standard) 750 - 1000 mm (con ribalte laterali speciali)
Ⓕ	H Larghezza vasca (interno)	≤ 420 mm (con adattatore di altezza, massimo + 60 mm)

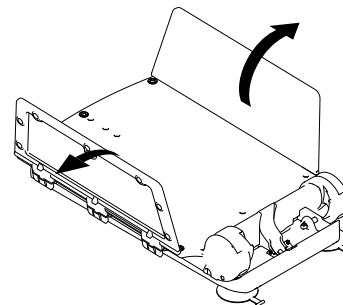


### IMPORTANTE!

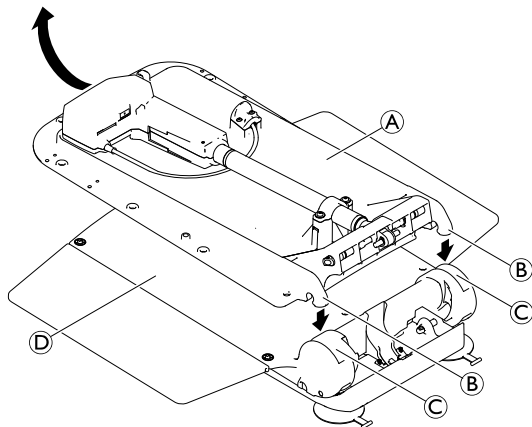
- Controllare che le ventose siano montate.
- Verificare che la batteria nella pulsantiera sia carica.
- Assicurarsi che la base del mandrino sia completamente inserita.
- Quando si sollevano i componenti del sollevatore, ricordarsi di valutare correttamente il relativo peso, vedere sezione 9.1 Dimensioni e peso, pagina 128
- Se la vasca da bagno ha un corrimano, utilizzare i deviatori delle ribalte laterali (disponibili come accessorio).
- Piegare le ribalte laterali verso l'esterno prima di sollevare lo schienale.



1. Posizionare il sedile **B** sul fondo della vasca vuota. Assicurarsi che l'alloggiamento della base del mandrino **C** sia rivolto verso l'estremità della vasca da bagno situata di fronte allo scarico **A**.



2. Piegare le ribalte laterali del sedile verso l'esterno.



3. Posizionare lo schienale **A** (senza la pulsantiera) sul sedile in modo tale che i ganci **B** dello schienale si inseriscano nelle cerniere **C** della piastra del sedile **D**.



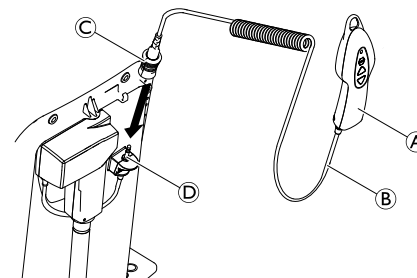
### IMPORTANTE!

#### Pericolo di danneggiamento

Danni al prodotto causati dallo scivolamento all'esterno della base del mandrino.

- Assicurarsi che il mandrino sia completamente rientrato e che la base del mandrino sia in piano e non sia attorcigliata prima di ribaltare lo schienale.
- Quando lo schienale è ribaltato, assicurarsi che la base del mandrino si trovi nel suo alloggiamento.

4. Tenere lo schienale al centro della testiera e sollevarlo con cautela nella posizione finale.



5. Collegare la presa a jack con la boccola di chiusura **C** sul cavo a spirale **B** della pulsantiera **A** alla spina a jack **D** fino a far scattare il meccanismo di chiusura.



### IMPORTANTE!

#### Pericolo di danneggiamento

- Assicurarsi che lo schienale non tocchi il bordo della vasca.
- Se necessario, collocare il sollevatore più avanti nella vasca da bagno.

## 3.4 Caricamento della batteria

Il sollevatore da vasca non può essere usato durante il caricamento della batteria.



### ATTENZIONE!

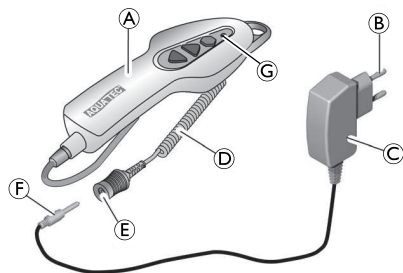
#### Rischio di scosse elettriche

- Ricaricare la batteria solo in ambienti asciutti a temperatura ambiente (15°C - 25 °C) e mai nella stanza da bagno.



### IMPORTANTE!

- Usare solo il caricabatteria in dotazione (Orca/ Orca F/ Orca XL) per caricare la batteria della pulsantiera.
- Collegare il caricabatteria alla corrente solo quando la pulsantiera è collegata al caricabatteria.
- Assicurarsi che le specifiche di tensione indicate sul caricabatteria corrispondano a quelle della rete elettrica.



1. Inserire la spina a jack ⑥ del caricabatteria ③ fino alla battuta nella presa a jack ⑤ sul cavo a spirale ④ della pulsantiera ①.
2. Inserire la spina di alimentazione ② del caricabatteria in una presa di corrente.



La spia rossa ③ della pulsantiera si spegne quando la batteria è completamente carica. Non è possibile „sovraccaricare“ la batteria.

3. Scollegare il caricabatteria dalla presa di corrente.
4. Estrarre la spina a jack del caricabatteria dalla presa a jack della pulsantiera.

## 4 Uso

### 4.1 Informazioni sulla sicurezza



#### AVVERTENZA!

Il sovraccarico del sollevatore da vasca può causare danni al dispositivo o impedire il sollevamento.

- Non sovraccaricare il sollevatore da vasca e osservare le specifiche sull'etichetta modello e nella sezione 9.1 Dimensioni e peso, pagina 128 per quanto riguarda la sua portata.



#### AVVERTENZA!

##### Pericolo di pizzicamento delle dita

- Non mettere le dita nella guida tra la piastra del sedile e lo schienale.
- Non mettere le mani sotto la piastra del sedile o tra le forbici di sollevamento.



#### IMPORTANTE!

Qualora la pulsantiera risultasse danneggiata, vi potrebbe penetrare dell'umidità, con conseguente possibilità che si verifichino cortocircuiti e incendi.

- Prima di ogni utilizzo controllare sempre visivamente che il prodotto non presenti danni esterni.
- Se l'alloggiamento della pulsantiera è danneggiato o presenta crepe non utilizzare la pulsantiera.
- Ricaricare completamente la batteria prima di ogni utilizzo, 3.4 Caricamento della batteria, pagina 115

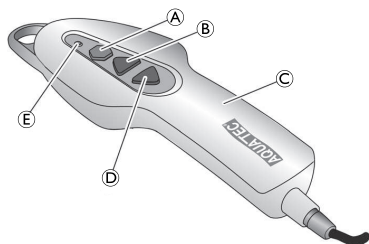
1. Fare riferimento alle condizioni di funzionamento riportate nella sezione 9.4 Parametri ambientali, pagina 129

### 4.2 Controllo del sollevatore da vasca

Il sollevatore da vasca può compiere i seguenti movimenti:



Il sollevatore da vasca è controllato tramite la pulsantiera.



**! IMPORTANTE!**  
**Pericolo di danneggiamento**

– La pulsantiera può essere utilizzata solo quando lo schienale è installato correttamente e in posizione verticale.

**! IMPORTANTE!**

Se la batteria della pulsantiera © non è sufficientemente carica, la spia rossa ⑤ si accende con il colore rosso quando il pulsante Giù ④ viene premuto. In questo caso, la funzione di abbassamento del sollevatore da vasca è disattivata. Tuttavia, è possibile continuare ad alzare il sollevatore.  
 – Ricaricare la batteria subito dopo averlo sollevato.



Con una batteria completamente carica, l'Orca e l'Orca F sono in grado di eseguire 5 cicli di funzionamento con un carico di 140 kg. L'Orca XL può eseguire 4 cicli di funzionamento con un carico di 170 kg.

## Sollevamento del sollevatore da vasca

**! IMPORTANTE!**

Se lo schienale viene abbassato, prima si sposta in posizione verticale (non sul modello Orca F).

1. Premere il pulsante Su ② della pulsantiera e tenerlo premuto.  
 Lo schienale si sposta in posizione verticale oppure il sedile si sposta verso l'alto.
2. Rilasciare il pulsante Su della pulsantiera.  
 Il sollevatore da vasca si ferma nella posizione attuale.

## Abbassamento del sollevatore da vasca

**! IMPORTANTE!**

Se il sedile è già abbassato, lo schienale si abbassa verso il retro (non sul modello Orca F).

1. Premere il pulsante Giù ④ della pulsantiera e tenerlo premuto.  
 Il sedile si sposta verso il basso oppure lo schienale ruota all'indietro.
2. Rilasciare il pulsante Giù della pulsantiera.  
 Il sollevatore da vasca si ferma nella posizione attuale.


## Interruttore di arresto d'emergenza

### ! IMPORTANTE!

Premere il pulsante di arresto d'emergenza (A) solo se il dispositivo non si ferma immediatamente quando il pulsante Su o Giù viene rilasciato (ad esempio se un pulsante si blocca). Il sollevatore da vasca si arresta immediatamente e la luce rossa integrata nella pulsantiera si accende.

Se la spia rossa si spegne dopo che il pulsante di arresto d'emergenza viene rilasciato, il guasto è stato riparato (ad esempio il pulsante viene nuovamente rilasciato). Il dispositivo è nuovamente pronto per l'uso.

Se la spia rossa rimane accesa dopo che il pulsante di arresto d'emergenza viene rilasciato, il guasto non è ancora stato riparato. Il dispositivo non è pronto per l'uso e deve essere riparato, ad esempio in caso di danni ai componenti elettronici.

 Se necessario, contattare il proprio rivenditore.

## 4.3 Utilizzo mentre si fa il bagno



### ATTENZIONE!

#### Rischio di scivolamento

Il sollevatore da vasca può scivolare se le ventose non hanno una buona tenuta.

- Prima di utilizzare il sollevatore da vasca assicurarsi che sia posizionato saldamente e che non possa ribaltarsi.
- Assicurarsi che il sollevatore da vasca sia installato nella vasca da bagno come descritto nella sezione 3.3 Installazione del sollevatore per vasca da bagno, pagina 113



### ATTENZIONE!

- Se le proprie condizioni non permettono di fare il bagno da soli, utilizzare il dispositivo solo con la supervisione di un'altra persona.
- Se si aziona il dispositivo senza supervisione, assicurarsi di tenere un sistema di allarme o un telefono a portata di mano in caso di eventi imprevisti (ad esempio malfunzionamenti).



### AVVERTENZA!

Oli o sali da bagno possono compromettere le prestazioni delle forbici di sollevamento.

- In caso di utilizzo di tali additivi da bagno, non superare la dose consigliata.

**!** **IMPORTANTE!**

- Portare il sollevatore senza carico una volta in alto e poi di nuovo in basso (test di funzionamento).
- Prima dell'uso, controllare la temperatura dell'acqua del bagno.

1. Premere e tenere premuto il pulsante Su **B** fino a quando il sedile è a livello del bordo della vasca da bagno.
2. Assicurarsi che le ribalte laterali siano a livello con il sedile e che giacciono sul bordo della vasca da bagno.
3. Riempire la vasca d'acqua.
4. Sedersi sulla ribalta laterale più vicina a se stessi come si farebbe su una sedia.
5. Scivolare all'indietro fino a quando non si è seduti al centro del sedile.
6. Girarsi nella posizione adatta per fare il bagno, sollevando una gamba e poi l'altra sopra il bordo della vasca.
7. Una volta seduti correttamente, premere il tasto Giù **D** e tenerlo premuto per abbassare il sedile nella vasca da bagno.

**i** Una volta che il sedile ha raggiunto la posizione più bassa, è possibile reclinare lo schienale continuando a tenere premuto il pulsante Giù **D**. Questo produce una posizione per fare il bagno più confortevole e permette di immergersi più in profondità nell'acqua della vasca (non sul modello ORCA F).

8. Tenere premuto il tasto Giù fino a quando lo schienale non ha raggiunto la posizione desiderata.



Per uscire dalla vasca da bagno, seguire questi passaggi nell'ordine inverso.

9. Per alzare lo schienale o il sollevatore da vasca, premere il pulsante Su **B** e tenerlo premuto fino a quando non ha raggiunto la posizione desiderata.



**IMPORTANTE!**

- Scollegare la pulsantiera dal dispositivo quando il sollevatore per vasca da bagno non è in uso, vedere la sezione 5.2 Rimozione del sollevatore da vasca, pagina 121 fase 3.



## 5 Trasporto

### 5.1 Informazioni sulla sicurezza



#### AVVERTENZA!

Lo schienale non è bloccato sul sedile quando viene ribaltato e può staccarsi.

- Non rimuovere le ventose quando si trasporta il sollevatore da vasca.
- Rimuovere la pulsantiera dallo schienale per il trasporto.
- Fare riferimento alle condizioni di conservazione e di trasporto riportate nella sezione 9.4 Parametri ambientali, pagina 129

1. Rimuovere la pulsantiera.
2. Smontare il sollevatore da vasca in due parti per il trasporto (sedile e schienale). Vedere la sezione 5.2 Rimozione del sollevatore da vasca, pagina 121

### 5.2 Rimozione del sollevatore da vasca

1. Far scaricare l'acqua dalla vasca da bagno.
2. Abbassare il sollevatore da vasca con il pulsante Giù finché lo schienale non si arresta nella posizione finale. Vedere la sezione 4.2 Controllo del sollevatore da vasca, pagina 117

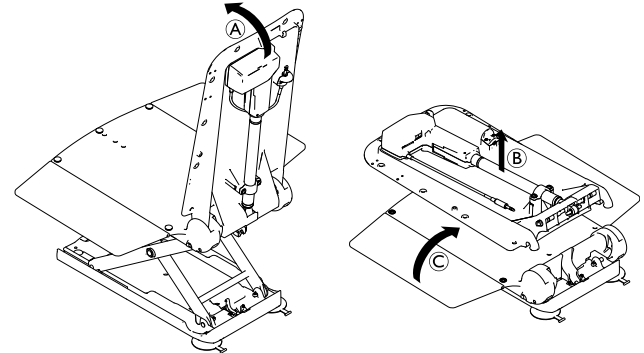
3. Sbloccare la presa a jack sul cavo a spirale della pulsantiera spingendo verso l'alto la boccola di chiusura ed estrarla dalla spina a jack.



#### IMPORTANTE!

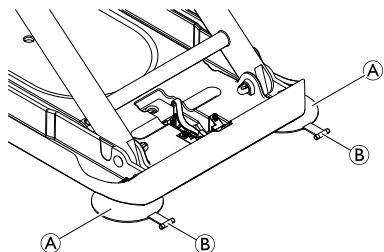
#### Pericolo di danneggiamento

- Quando si ribalta lo schienale in basso, assicurarsi che il cavo a spirale della pulsantiera non resti intrappolato.
- Non ribaltare lo schienale verso il basso se c'è acqua nella vasca da bagno.



4. Tenere lo schienale all'estremità superiore con una mano e ribaltarlo completamente in avanti **A**.
5. Estrarre lo schienale dal sedile tirandolo verso l'alto e sollevarlo dalla vasca **B**.

6. Piegare le ribalte laterali del sedile verso l'interno ©.



**IMPORTANTE!**

- Rilasciare entrambe le ventose posteriori contemporaneamente.

7. Rilasciare la ventosa posteriore ① tirando verso l'alto la sua linguetta ②.
8. Sollevare ulteriormente il retro del sedile. Questa operazione rilascia le ventose anteriori.



**IMPORTANTE!**

- Se gli adattatori di altezza sono stati installati (opzionale), è necessario anche tirare le linguette delle ventose anteriori per rilasciarle.

9. Sollevare il sedile dalla vasca da bagno.
10. Sistemare con cura tutti i componenti del sollevatore da vasca.

## 6 Manutenzione

### 6.1 Manutenzione e assistenza

L'osservanza delle note per la pulizia e la sicurezza di cui rende il prodotto esente da manutenzione.

#### **! IMPORTANTE!**

La pulsantiera può essere aperta solo dal produttore del sollevatore per vasca da bagno.

1. Controllare regolarmente che il prodotto non sia danneggiato e assicurarsi che sia assemblato in modo sicuro.
2. In caso di danni e/o necessità di riparazioni, contattare immediatamente il rivenditore.
3. Il sollevatore per vasca da bagno deve essere controllato da un rivenditore autorizzato prima del riutilizzo. Si raccomanda di controllare il sollevatore per vasca da bagno dopo 24 mesi al massimo (in conformità con EN ISO 10535).
4. Se il sollevatore per vasca da bagno non viene utilizzato per un periodo prolungato, caricare completamente la batteria, quindi alzare e abbassare il sollevatore da vasca 3 volte senza carico. Ripetere questo procedimento ogni 3 mesi. Questo aiuta a prolungare la durata della batteria.

### 6.2 Pulizia e disinfezione

Il prodotto può essere pulito e disinfettato con prodotti disponibili in commercio.

1. Disinfettare il prodotto strofinando tutte le superfici generalmente accessibili con un disinfettante (se possibile dopo aver smontato il prodotto).

#### **! IMPORTANTE!**

- Tutti i prodotti detergenti e disinfettanti utilizzati devono essere efficaci, compatibili tra loro e devono proteggere i materiali su cui vengono utilizzati durante la pulizia.
- Per ulteriori informazioni sulla decontaminazione in ambienti sanitari, si prega di fare riferimento alle linee guida in materia di controllo delle infezioni fornite dall'istituto inglese "National Institute for Clinical Excellence" (disponibili sul sito [www.nice.org.uk/CG139](http://www.nice.org.uk/CG139)) e ai protocolli locali di controllo delle infezioni.
  - Pulire il prodotto regolarmente a mano.
  - Non utilizzare prodotti detergenti abrasivi.

#### **Pulizia del sedile e dello schienale**



#### **AVVERTENZA!**

##### **Pericolo di pizzicamento delle dita**

- Prestare particolare attenzione durante la pulizia nell'area delle forbici di sollevamento, in quanto possono muoversi e provocare lesioni.


**!** **IMPORTANTE!**

**Rischio di danneggiamento**

– Non usare mai un sistema di pulizia ad alta pressione per pulire lo schienale.

1. Lavare il prodotto con un panno o una spazzola.
2. Risciacquare il prodotto con acqua calda.
3. Asciugare il prodotto con un panno.
4. Lubrificare leggermente la guida del pattino scorrevole (Fig. Sezione 3.1, Ⓟ) con vaselina.

**Pulizia dei rivestimenti (opzionale)**

 Si raccomanda di lavare le fodere prima del primo utilizzo. Per motivi igienici si raccomanda di pulire regolarmente i rivestimenti e di sostituirli ogni anno.

1. Sbottonare i rivestimenti dal sedile e dallo schienale.
2. Lavare i rivestimenti in lavatrice con detergente delicato a una temperatura massima di 60 °C.

**!** **IMPORTANTE!**

**Rischio di danneggiamento**

– Un lavaggio a temperature elevate può provocare restringimenti.  
– Non asciugare i rivestimenti nell'asciugabiancheria.

**Pulizia del caricabatteria e della pulsantiera**



**ATTENZIONE!**

**Rischio di scosse elettriche**

– Scollegare sempre la spina dalla presa di corrente prima di pulire il caricabatteria.  
– Non inserire mai oggetti di materiale conduttivo (ad esempio, ferri da maglia, perni metallici) nella presa a jack della pulsantiera.  
– Non usare mai un panno bagnato o umido per pulire il caricabatteria.

1. Pulire il caricabatteria con un panno asciutto.
2. Pulire la pulsantiera con un panno umido e asciugarla con un panno asciutto.

## 7 Dopo l'utilizzo

### 7.1 Stoccaggio



#### **IMPORTANTE!**

##### **Pericolo di danneggiamento**

- Non conservare il prodotto vicino a fonti di calore.
- Non esporre il prodotto alla luce diretta del sole.
- Fare riferimento alle condizioni di conservazione e di trasporto riportate nella sezione 9.4 Parametri ambientali, pagina 129

### 7.2 Riutilizzo

Il prodotto è adatto per essere riutilizzato. Il numero di riutilizzi dipende dalla frequenza di utilizzo e dal modo in cui è stato usato il prodotto. Prima del riutilizzo, il prodotto deve essere sottoposto a preparazione igienica (→ 6.2 Pulizia e disinfezione, pagina 123) e controllato per assicurarsi che sia in condizioni di funzionamento corretto e sicuro. Riparare se necessario.

### 7.3 Smaltimento

Lo smaltimento e il riciclaggio dei prodotti e degli imballaggi usati devono essere eseguiti conformemente alle normative di legge in vigore.



#### **ATTENZIONE!**

- Non gettare mai la pulsantiera nel fuoco né conservarla in prossimità di fiamme libere.

Obbligo di informazione conformemente alla Direttiva tedesca sulle batterie, BattG:

Questo prodotto contiene una batteria ricaricabile con ioni al litio. Le batterie scariche o che non possono più essere ricaricate non devono essere smaltite con i rifiuti domestici. Le batterie vecchie possono contenere sostanze pericolose che potrebbero costituire un pericolo per l'ambiente e la salute pubblica.

Restituire queste batterie al proprio rivenditore o al proprio punto di raccolta comunale. La loro restituzione è gratuita ed è obbligatoria per legge.

Gettare le batterie scariche esclusivamente negli appositi contenitori e mascherare i poli delle batterie al litio.

## 8 Guida alla soluzione dei problemi

### 8.1 Identificazione e riparazione dei guasti



La tabella seguente fornisce informazioni sui malfunzionamenti e le possibili cause. Qualora non fosse possibile correggere il malfunzionamento mediante i rimedi indicati, contattare direttamente il proprio rivenditore.

Guasto	Causa possibile	Rimedio
Nessun rumore del motore udibile / il sollevatore non si muove.	La presa jack della pulsantiera non è chiusa correttamente.	Bloccare la presa jack, → 3.3 Installazione del sollevatore per vasca da bagno, pagina 113
	La batteria è scarica.	Ricaricare completamente la batteria, → 3.4 Caricamento della batteria, pagina 115
	I contatti sono sporchi.	Pulire la presa jack sullo schienale, → se necessario, contattare il proprio rivenditore.
	Il cavo è schiacciato/ danneggiato.	Sostituire la pulsantiera, → se necessario, contattare il proprio rivenditore.
Il sollevatore può essere sollevato, ma non abbassato.	La protezione a bassa tensione è attivata.	Ricaricare completamente la batteria, → 3.4 Caricamento della batteria, pagina 115
Il sollevatore si ferma mentre viene sollevato.	Carico eccessivo.	Rispettare il carico massimo, → 9.1 Dimensioni e peso, pagina 128
Il sollevatore da vasca non aderisce saldamente alla vasca da bagno.	Le ventose sono vecchie o danneggiate.	Sostituire le ventose, → se necessario, contattare il proprio rivenditore.
La batteria non si carica e la spia rossa lampeggia durante la carica.	Componenti elettronici difettosi.	Far verificare la pulsantiera dal proprio rivenditore autorizzato.
	Batteria difettosa.	Sostituire la pulsantiera.

<b>Guasto</b>	<b>Causa possibile</b>	<b>Rimedio</b>
	Caricabatteria difettoso.	Far verificare il caricabatteria dal proprio rivenditore autorizzato.
	La batteria è troppo calda.	Non caricare la pulsantiera vicino a fonti di calore, ad esempio elementi termici, luce diretta del sole. La carica continua automaticamente quando la temperatura scende entro limiti ammissibili.

## 9 Dati tecnici

### 9.1 Dimensioni e peso

Lunghezza totale alla posizione più bassa	920 mm
Lunghezza totale alla posizione più alta	650 mm
Altezza totale alla posizione più alta	1075 mm
Lunghezza del sedile	590 mm
Larghezza sedile con ribalte laterali piegate verso l'esterno	715 mm
Larghezza sedile con ribalte laterali piegate verso l'interno	390 mm
Altezza sedile alla posizione più bassa	60 mm
Altezza sedile alla posizione più alta	420 mm
Larghezza dello schienale	360 mm
Massima inclinazione dello schienale	8°
Larghezza piastra di base	295 mm
Carico massimo (ORCA / ORCA F) Carico massimo (ORCA XL)	140 kg 170 kg
Peso totale senza pulsantiera (ORCA) (ORCA F) (ORCA XL)	10,8 kg 11,4 kg 11,6 kg
Peso del sedile (ORCA) (ORCA F) (ORCA XL)	6,6 kg 7,2 kg 7,4 kg

Peso dello schienale (ORCA / ORCA F / ORCA XL)	4,2 kg
Peso della pulsantiera	0,4 kg
Peso del caricabatteria	0,1 kg

### 9.2 Dati elettrici

Forza di attivazione per i pulsanti della pulsantiera	< 5 N
Tensione di esercizio della pulsantiera <sup>1)</sup>	10,8 V CC / 14 V CC
Potenza di ingresso nominale <sup>1)</sup>	43 VA / 56 VA
Corrente nominale	4 A
Tipo di batteria	Agli ioni di litio
Ingresso caricabatteria	100 - 240 V c.a., 50 - 60 Hz
Uscita caricabatteria	24 V CC, 135 mA, 3 VA
Tempo di carica da avviso bassa tensione	circa. 4,5 h
Tipo di protezione, azionamento	IP X6 W <sup>2)</sup>
Tipo di protezione, pulsantiera	IP 67 <sup>3)</sup>
Tipo di protezione, dispositivo completo	IP X6 <sup>4)</sup>
Livello di potenza sonora	52 dB(A)



1) 10,8 V CC / 43 VA in caso di utilizzo di pulsantiera con tensione di 10,8 V, come indicato sul retro della pulsantiera stessa.

14 V CC / 56 VA in caso di utilizzo di pulsantiera con tensione di 14 V, come indicato sul retro della pulsantiera stessa.

2) Protetto contro la penetrazione di acqua in caso di forti getti di acqua, testato in condizioni meteorologiche previste.

3) A prova di polvere e protetto contro la penetrazione di acqua durante l'immersione temporanea.

4) Protetto contro la penetrazione di acqua in caso di forti getti di acqua.

### 9.3 Materiali

Schienale	PPGF
Piastra del sedile	PPGF
Rivestimenti	PVC



Tutti i materiali utilizzati sono resistenti alla corrosione e privi di lattice.

### 9.4 Parametri ambientali

Condizioni di funzionamento	
Temperatura ambiente	10 - 40 °C
Umidità relativa	15% - 93% non condensante
Pressione atmosferica	795 - 1060 hPa
Condizioni di conservazione e di trasporto	

Temperatura ambiente	0 - 40 °C
Umidità relativa	30% - 75% non condensante
Pressione atmosferica	795 - 1060 hPa



---

# Inhoudsopgave

---

Deze handleiding dient te worden overhandigd aan de gebruiker van het product. Lees deze handleiding VÓÓR u het product gebruikt en bewaar hem voor eventuele raadplegingen in de toekomst.

<b>1 Algemeen</b>	<b>.132</b>
1.1 Algemene informatie	.132
1.2 Symbolen in deze gebruiksaanwijzing	.132
1.3 Garantie	.132
1.4 Naleving	.132
1.5 Bedoeld gebruik	.133
1.6 Levensduur	.133
<b>2 Veiligheid</b>	<b>.134</b>
2.1 Veiligheidsinformatie	.134
2.2 Veiligheidsinformatie over elektromagnetische compatibiliteit	.134
2.3 Labels en symbolen op het product	.135
<b>3 Montage</b>	<b>.137</b>
3.1 Veiligheidsinformatie	.137
3.2 Omvang van de levering	.137
3.3 De badlift opzetten	.139
3.4 De accu opladen	.141
<b>4 Gebruik</b>	<b>.143</b>
4.1 Veiligheidsinformatie	.143
4.2 De badlift bedienen	.143
4.3 In bad gaan	.145
<b>5 Transport</b>	<b>.147</b>
5.1 Veiligheidsinformatie	.147
5.2 De badlift verwijderen	.147
<b>6 Onderhoud</b>	<b>.149</b>
6.1 Onderhoud en service	.149
6.2 Reinigen en desinfecteren	.149

<b>7 Na gebruik</b>	<b>.151</b>
7.1 Opslag	.151
7.2 Hergebruiken	.151
7.3 Afvoeren	.151
<b>8 Problemen oplossen</b>	<b>.152</b>
8.1 Defecten identificeren en repareren	.152
<b>9 Technische Specificaties</b>	<b>.154</b>
9.1 Afmetingen en gewicht	.154
9.2 Elektronische gegevens	.154
9.3 Materialen	.155
9.4 Omgevingsparameters	.155

# 1 Algemeen

## 1.1 Algemene informatie

Deze gebruikershandleiding bevat belangrijke informatie over het gebruik van dit product. Lees de gebruikershandleiding aandachtig door en volg de veiligheidsinstructies op om zeker te zijn van een veilig gebruik van het product. De positiepecificaties (A, B, C, etc.) in de gebruiksinstructies verwijzen altijd naar de voorafgaande afbeelding.

## 1.2 Symbolen in deze gebruiksaanwijzing

Waarschuwingen in deze gebruiksaanwijzing worden aangegeven met symbolen. De titel naast een waarschuwingssymbool geeft de mate van gevaar aan.



### WAARSCHUWING

Geeft een gevaarlijke situatie aan die kan leiden tot ernstige verwondingen of zelfs tot de dood als deze waarschuwing wordt genegeerd.



### LET OP

Geeft een gevaarlijke situatie aan die kan leiden tot lichte verwondingen als deze waarschuwing wordt genegeerd.



### BELANGRIJK

Geeft een gevaarlijke situatie aan die kan leiden tot schade als deze waarschuwing wordt genegeerd.



Handige tips, aanbevelingen en informatie om een efficiënte en probleemloze werking te verzekeren.



Dit product voldoet aan richtlijn 93/42/EEG betreffende medische hulpmiddelen. De lanceringsdatum van dit product staat vermeld in de CE-verklaring van overeenstemming.



Fabrikant

## 1.3 Garantie

Wij bieden voor dit product een fabrieksgarantie in overeenstemming met onze Algemene Voorwaarden in de respectievelijke landen. Garantieclaims kunnen alleen worden ingediend via de dealer bij wie u het apparaat hebt gekocht.

Hoezen en zuignappen zijn hiervan uitgesloten.

## 1.4 Naleving

Kwaliteit is van het grootste belang voor ons bedrijf. Daarom zijn alle processen gebaseerd op ISO-normen 9001 en 13485.

Dit product is voorzien van het CE-merk, conform Richtlijn 93/42/EEG betreffende medische hulpmiddelen, klasse 1.

Dit product voldoet aan de normen EN ISO 14971 (Medische hulpmiddelen - Toepassing van risicomanagement voor medische hulpmiddelen), EN ISO 10535 (Tilliften voor het verplaatsen van gehandicapten - Eisen en beproevingsmethoden).

Het product heeft een liftcapaciteit die 1,5 keer zo groot is als de nominale belading.

Invacare® werkt er continu aan om ervoor te zorgen dat het effect van het bedrijf op het milieu, zowel lokaal als internationaal, zo veel mogelijk wordt beperkt.

- Wij leven de huidige milieuwetgeving na (bijvoorbeeld de richtlijnen inzake AEEA en RoHS).
- Wij maken uitsluitend gebruik van materialen en onderdelen die voldoen aan de REACH-richtlijnen.

Neem voor meer informatie contact op met Invacare® in uw land (zie de achterzijde van deze handleiding voor de adressen).

## 1.5 Bedoeld gebruik

Een badlift maakt het mogelijk in en uit de badkuip te komen. De lift is uitsluitend bedoeld als hulpmiddel bij het baden van mensen met een bewegingsbeperking. Elk ander gebruik is verboden.

### Indicaties

- Aanzienlijke beperking in/afwezigheid van functionaliteit in de onderste of bovenste ledematen (zoals bij amputatie, verlamming, gewrichtsafwijkingen of neuromusculaire afwijkingen), waardoor het zelfstandig in- en uit de badkuip komen of het gaan zitten en opstaan niet meer mogelijk is. Er moet nog wel controle over de romp en enige functionaliteit van de ledematen aanwezig zijn.
- Chronische gevolgen van ziekte, met functiebeperkingen in de onderste en/of bovenste ledematen, die het zelfstandig in bad gaan onmogelijk maken, waarbij de badlift het mogelijk maakt grotendeels zelfstandig in bad te gaan nadat andere hulpmiddelen de beperking onvoldoende bleken te compenseren.

### Contra-indicaties

Bij juist gebruik zijn er geen contra-indicaties.

## 1.6 Levensduur

De verwachte levensduur is vijf jaar, ervan uitgaande dat het product dagelijks wordt gebruikt volgens de veiligheids- en onderhoudsinstructies, en voor het beoogde doel (zoals vermeld in deze gebruiksaanwijzing).

## 2 Veiligheid

### 2.1 Veiligheidsinformatie



#### **WAARSCHUWING!**

- Gebruik dit product of de beschikbare optionele apparatuur alleen als u deze instructies en het eventuele aanvullende instructiemateriaal volledig hebt doorgelezen en begrepen, met inbegrip van de gebruiksaanwijzingen, servicehandleidingen of instructiebladen die bij dit product of de optionele apparatuur worden verstrekt. Producthandleidingen van Invacare zijn beschikbaar op internet of bij uw lokale dealer (adressen bevinden zich op de achterzijde van deze handleiding).
- Als u de gevaren, aandachtspunten of instructies niet begrijpt, neemt u contact op met een zorgverlener, dealer of technisch personeel voordat u dit apparaat gaat gebruiken. Er kan anders letsel of schade optreden.



#### **WAARSCHUWING!**

##### **Kans op lichamelijk letsel**

- Niet gebruiken indien defect.
- Neem direct contact op met uw dealer in geval van een defect.
- Voer geen ongeautoriseerde wijzigingen of aanpassingen uit op het product.
- Gebruik alleen reserveonderdelen die bedoeld zijn voor dit product.



#### **WAARSCHUWING!**

##### **Kans op lichamelijk letsel**

- Ga nooit op de badlift staan om in of uit het bad te stappen, gebruik de badlift nooit om te klimmen of af te dalen en gebruik deze ook niet als een liftplatform of enig ander vergelijkbaar doel.



#### **BELANGRIJK!**

- De informatie in dit document kan zonder voorafgaande kennisgeving worden gewijzigd.
- Controleer en test vóór gebruik alle onderdelen op transportschade.

### 2.2 Veiligheidsinformatie over elektromagnetische compatibiliteit

Dit product is getest op elektromagnetische compatibiliteit in overeenstemming met internationale standaarden. Elektromagnetische velden die bijvoorbeeld worden gegenereerd door radio- en televisiesignalen, radioapparatuur en mobiele telefoons, kunnen de werking van producten met elektronische aandrijving echter beïnvloeden. De elektronica in dit product kan ook zwakke elektromagnetische interferentie veroorzaken, maar deze waarden liggen beneden de wettelijke grenzen. U moet daarom de volgende waarschuwingen in acht nemen:



**LET OP!**

**Elektromagnetische interferentie**

Draadloze communicatieapparatuur, zoals WLAN-routers, mobiele telefoons, mobiele telefoons en de daarbij horende basisstations of walkietalkies, kan met deze apparatuur interfereren.

- Zorg dat dit soort apparaten altijd minimaal 2 m bij de badlift vandaan wordt gehouden.



**LET OP!**

**Elektromagnetische interferentie**

Elektromagnetische interferentie kan ervoor zorgen dat het apparaat plotseling stopt of (hoewel dit erg onwaarschijnlijk is) dat de lift uit zichzelf begint te bewegen.

- Schakel het externe apparaat en/of uw Invacare®-product uit als u dergelijk gedrag opmerkt.
- Als andere elektrische, medische producten interferentie veroorzaken of deze apparaten zelf worden verstoord, moet u uw Invacare®-product uitschakelen en contact opnemen met uw dealer.

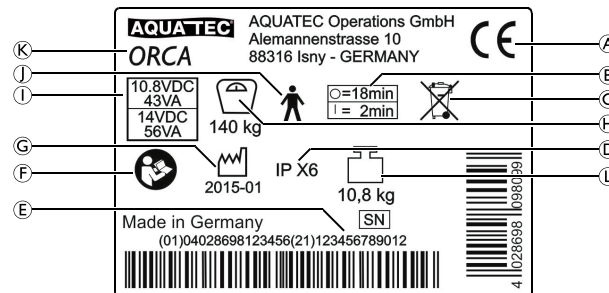


Richtlijnen en een verklaring van de fabrikant met betrekking tot elektromagnetische straling en immuniteit zijn op aanvraag beschikbaar via Invacare® in uw land.

**2.3 Labels en symbolen op het product**

**Typeplaatje**

Het typeplaatje bevat ook belangrijke informatie:



(A)	Conformiteitsmerk
(B)	Inschakelduur (max. 2 min/18 min)
(C)	Opmerking (afvoer)
(D)	Type bescherming
(E)	Serienummer van apparaat
(F)	Opmerking (bijgevoegde documenten in acht nemen)
(G)	Periode productie
(H)	Laadcapaciteit
(I)	Nominale ingangsspanning/nominaal vermogen; zie hoofdstuk 9.2 Elektronische gegevens, pagina 154

①	Toegepast onderdeel van type B
Ⓚ	Apparaataanduiding
Ⓛ	Productgewicht



Het typeplaatje is op de achterkant van rugleuning  
aangebracht.



## 3 Montage

### 3.1 Veiligheidsinformatie



#### **BELANGRIJK!**

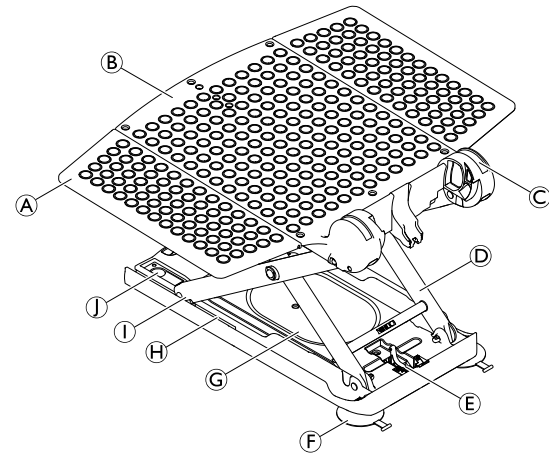
- Controleer de onderdelen op transportschade voordat u het product in gebruik neemt en neem indien nodig contact op met de dealer.
- Houd er bij de montage rekening mee dat alle onderdelen juist geplaatst dienen te worden zodat er geen beschadigingen optreden.
- Het wordt aanbevolen om de bekleding voorafgaand aan het eerste gebruik te wassen (zie hoofdstuk 6.2 Reinigen en desinfecteren, pagina 149).

### 3.2 Omvang van de levering

Deze gebruikershandleiding heeft betrekking op de modellen ORCA, ORCA F en ORCA XL. Deze modellen verschillen in gewicht en het maximale gebruikersgewicht. Zie het gedeelte 9.1 Afmetingen en gewicht, pagina 154. Een zittinghoes en rugbekleding zijn optioneel verkrijgbaar voor alle drie de modellen. Bij model ORCA F kan de rugleuning niet worden verlaagd.

De volgende onderdelen zijn inbegrepen in de levering:

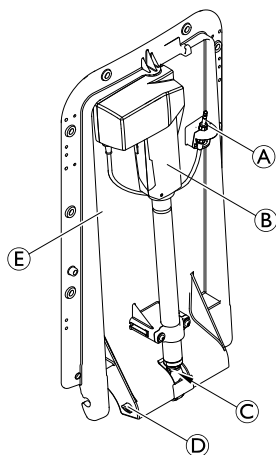
### Zitting



(A)	Zijflap
(B)	Zittingplaat
(C)	Scharnier voor rugleuning
(D)	Liftarmen
(E)	Houder van spilvoet
(F)	Zuignappen achter (twee lipjes met reliëf)
(G)	Basisplaat
(H)	Geleider voor glijshoeren

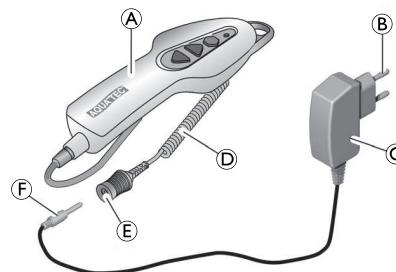
①	Glijschoen
①	Zuignappen voor (één lipje met greep)

## Rugleuning



Ⓐ	Stekkingang
Ⓑ	Aandrijving
Ⓒ	Spilvoet
Ⓓ	Borgpen
Ⓔ	Plaat, rugleuning

## Handbedieningseenheid en lader



Ⓐ	Handbedieningseenheid met accu
Ⓑ	Stekker voor lichtnet
Ⓒ	Lader
Ⓓ	Spiraalkabel voor handbedieningseenheid
Ⓔ	Stekkingang van handbedieningseenheid
Ⓕ	Stekkingang van lader

### 3.3 De badlift opzetten



#### WAARSCHUWING!

##### Risico op glijden

De badlift kan gaan glijden als deze onvoldoende grip heeft.

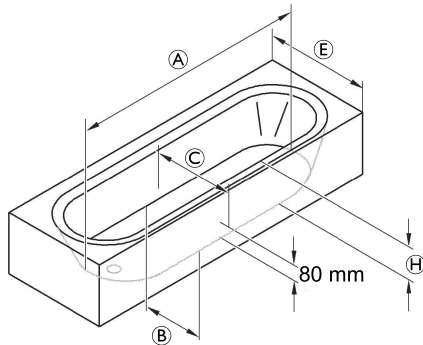
- Reinig de badkuip en de zuignappen met een vochtige doek voordat u de badlift gaat monteren.
- Verplaats de badlift niet wanneer deze eenmaal op zijn plaats is gemonteerd.



#### WAARSCHUWING!

##### Risico op letsel en beschadiging

- Plaats de badlift alleen in badkuipen die voldoen aan de specificaties zoals vermeld in de volgende tabel.
- Als de badkuip is uitgerust met een laterale overflow, kunt u de speciale zijflappen (beschikbaar als accessoire) gebruiken.

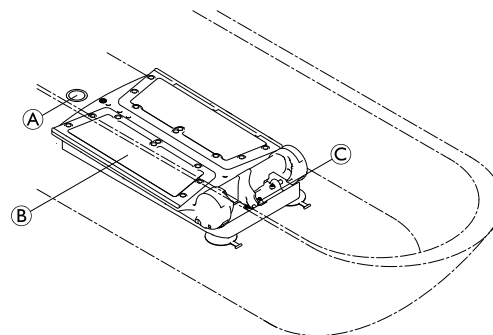


Ⓐ	Lengte van badkuip, bodem	≥ 800 mm
Ⓑ	Breedte van badkuip, bodem (binnenzijde)	280 - 600 mm
Ⓒ	Breedte van badkuip, bij een diepte van 80 mm (binnenzijde)	≥ 430 mm
Ⓔ	Breedte van badkuip, (buitenzijde)	580 - 690 mm (met speciale zijflappen) 700 - 740 mm (met standaard zijflappen) 750 - 1000 mm (met speciale zijflappen)
Ⓕ	Diepte van badkuip (binnenzijde)	≤ 420 mm (met adapter, max. + 60 mm)

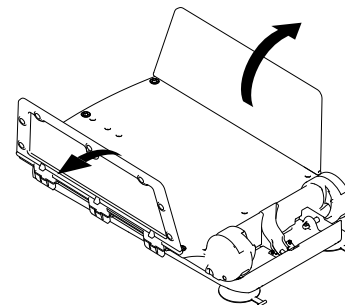


### BELANGRIJK!

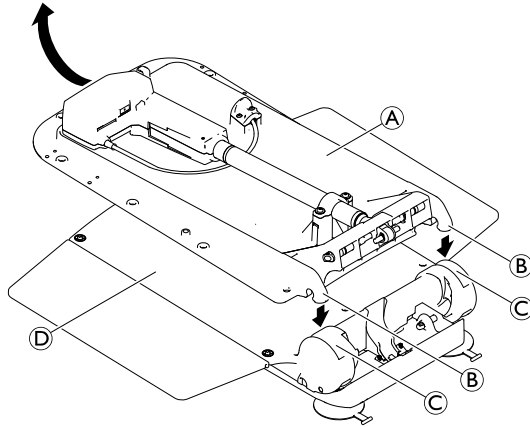
- Controleer of de zuignappen zijn bevestigd.
- Controleer of de accu in de handbedieningseenheid is opgeladen.
- Controleer of de spilvoet volledig naar binnen geschoven is.
- Denk er bij het omhoog brengen van de badliftonderdelen aan op de juiste wijze het gewicht te bepalen; zie hoofdstuk 9.1 Afmetingen en gewicht, pagina 154
- Als de badkuip is voorzien van een handgreep, dient u de zijflaphulpstukken te gebruiken (beschikbaar als accessoire).
- Vouw de flappen naar buiten voordat u de rugleuning omhoog brengt.



1. Plaats de zitting ② op de bodem van een lege badkuip. Zorg ervoor dat de spilvoethouder ③ in de richting van het uiteinde van de badkuip tegenover de afvoer ① staat.



2. Vouw de flappen aan de zijkant van de zitting naar buiten.



3. Plaats de rugleuning **A** (zonder de handbedieningseenheid) op de zitting, zodat de haken **B** van de rugleuning in de scharnieren **C** van de zittingplaat **D** passen.



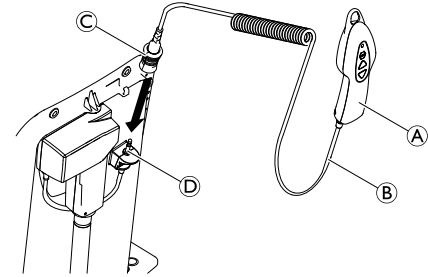
### **BELANGRIJK!**

#### **Risico op beschadiging**

Beschadiging van het product als gevolg van het wegglijden van de spilvoet.

- Controleer of de spil volledig is ingetrokken en de spilvoet gelijk is en niet gedraaid voordat u de rugleuning omhoog klapt.
- Als de rugleuning omhoog is geklapt, controleert u of de spilvoet goed in de houder is bevestigd.

4. Houd de rugleuning in het midden van het hoofdeinde vast en til deze voorzichtig op naar de eindpositie.



5. Sluit de stekkeropening met ontgrendelingshuls **C** op de spiraalkabel **B** van de handbedieningseenheid **A** aan op de contactstekker **D** totdat het vergrendelingsmechanisme hoorbaar vastklikt.



### **BELANGRIJK!**

#### **Risico op beschadiging**

- Zorg ervoor dat de rugleuning de rand van de badkuip niet raakt.
- Plaats de badlift zo nodig verder naar voren in de badkuip.

## **3.4 De accu opladen**

De badlift kan niet worden gebruikt wanneer de accu wordt opgeladen.



### WAARSCHUWING!

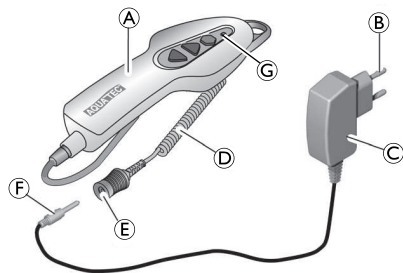
#### Risico op elektrische schokken

- Laad de accu alleen op in droge ruimtes, bij kamertemperatuur (15 tot 25 °C) en nooit in de badkamer.



### BELANGRIJK!

- Gebruik voor het opladen de accu in de handbedieningseenheid alleen de bijgeleverde lader.
- Sluit de lader alleen aan op het lichtnet als de handbedieningseenheid is aangesloten op de lader.
- Controleer of de spanningsspecificaties op de lader overeenkomen met die van het lichtnet.



1. Steek de contactstekker ⑥ van de lader ③ in de steekroeping ⑤ van de spiraalkabel ④ van de handbedieningseenheid ① totdat deze contact maakt.
2. Steek de netstekker ② van de lader in een contactdoos.



Het rode lampje ③ op de handbedieningseenheid gaat uit wanneer de accu volledig is opgeladen. ,Overladen' van de accu is niet mogelijk.

3. Haal de lader uit de contactdoos.
4. Trek de contactstekker van de lader uit de steekroeping van de handbedieningseenheid.

## 4 Gebruik

### 4.1 Veiligheidsinformatie



#### LET OP!

Overbelasting van de badlift kan leiden tot schade aan de apparatuur of niet-functioneren van de lift.

- Zorg ervoor dat u de badlift niet overbelast en neem de specificaties met betrekking tot belasting en capaciteit in acht, zoals vermeld op het typeplaatje en in hoofdstuk 9.1 Afmetingen en gewicht, pagina 154



#### LET OP!

#### Beknellingsgevaar voor de vingers

- Plaats geen vingers in de geleiding tussen de zittingplaat en de rugleuning.
- Steek geen ledematen onder de zitplaat of tussen de hefarmen.



#### BELANGRIJK!

Er kan vocht binnendringen in een beschadigde handbedieningseenheid, wat kan leiden tot kortsluiting en brand.

- Voer altijd voor elk gebruik een visuele inspectie van het product op externe beschadigingen uit.
- Als de behuizing van de handbedieningseenheid is beschadigd of als er barsten zichtbaar zijn, mag de handbedieningseenheid niet worden gebruikt.
- Laad de accu altijd volledig op voor elk gebruik, 3.4 De accu opladen, pagina 141

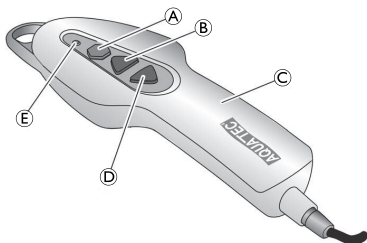
1. Raadpleeg het hoofdstuk 9.4 Omgevingsparameters, pagina 155 voor de bedrijfsomstandigheden.

### 4.2 De badlift bedienen

De badlift kan in de volgende richtingen worden verplaatst:



De badlift wordt via de handbedieningseenheid bediend.



**!** **BELANGRIJK!**  
**Risico op beschadiging**

- Gebruik de handbedieningseenheid alleen als de rugleuning op de juiste manier is geplaatst en omhoog geklapt is.

- !** **BELANGRIJK!**
- Als de accu van de handbedieningseenheid © niet volledig is opgeladen, gaat het rode lampje ⑤ branden wanneer de knop Omlaag ④ wordt ingedrukt. Als dat het geval is, wordt de functie voor neerlaten van de badlift uitgeschakeld. De lift kan dan nog wel omhoog worden gebracht.
- Laad de accu meteen op als u de lift weer omhoog hebt gebracht.



Met volledig opgeladen accu kunnen de Orca en Orca F 5 badprocedures uitvoeren met een belasting van 140 kg. De Orca XL kan 4 badprocedures uitvoeren met een belasting van 170 kg.

## De badlift omhoog brengen

- !** **BELANGRIJK!**
- Als u de rugleuning naar beneden laat zakken, beweegt deze eerst naar de rechtopstaande stand (niet op het model Orca F).

1. Druk op de knop Omhoog ② op de handbedieningseenheid en houd deze ingedrukt. De rugleuning beweegt naar de stand rechtop of de zitting beweegt naar boven.
2. Laat de knop Omhoog op de handbedieningseenheid los. De badlift stopt in de huidige stand.

## De badlift naar beneden brengen

- !** **BELANGRIJK!**
- Als u de zitting al naar beneden hebt laten zakken, zakt de rugleuning naar achteren (niet op het model Orca F).

1. Druk op de knop Omlaag ④ op de handbedieningseenheid en houd deze ingedrukt. De zitting beweegt naar beneden of de rugleuning draait naar de achterzijde.
2. Laat de knop Omlaag op de handbedieningseenheid los. De badlift stopt in de huidige stand.



## Schakelaar voor nooduitschakeling



### **BELANGRIJK!**

Druk alleen op de knop voor nooduitschakeling Ⓐ als het apparaat niet meteen stopt nadat de knop Omhoog of Omlaag is losgelaten (bijvoorbeeld als deze blokkeren). De badlift stopt onmiddellijk met bewegen en het rode lampje in de handbedieningseenheid gaat branden.

Als het rode indicatielampje uit gaat, nadat de knop voor nooduitschakeling wordt losgelaten, is de fout opgelost (de knop is bijvoorbeeld weer vrijgegeven).

Het apparaat is weer klaar om gebruikt te worden. Als het rode indicatielampje aan blijft, nadat de knop voor nooduitschakeling wordt losgelaten, is de fout nog niet opgelost. Het apparaat is niet klaar voor gebruik en moet worden gerepareerd, bijvoorbeeld in het geval van schade aan de elektronica.



Neem indien nodig contact op met uw dealer.

## 4.3 In bad gaan



### **WAARSCHUWING!**

#### **Risico op glijden**

De badlift kan gaan glijden als deze onvoldoende grip heeft.

- Controleer voor gebruik van de badlift of deze stevig staat en niet kan omvallen.
- Zorg ervoor dat de badlift in de badkuip is geplaatst zoals beschreven in hoofdstuk 3.3 De badlift opzetten, pagina 139



### **WAARSCHUWING!**

- Als u door uw fysieke gesteldheid niet in staat bent om alleen in bad te gaan, dient u het apparaat alleen te gebruiken onder toezicht.
- Zorg dat als het apparaat zonder toezicht wordt bediend, er een alarmsysteem of telefoon onder handbereik is in geval van onvoorziene omstandigheden (bv. storingen).



### **LET OP!**

Gebruik van badolie of -zout kan nadelige gevolgen hebben voor de prestaties van de liftarmen.

- Als u toch badolie of -zout wilt gebruiken, overschrijd dan niet de aanbevolen doses.

**!** **BELANGRIJK!**

- Breng als functietest de onbelaste lift eenmaal volledig naar boven en laat de lift vervolgens volledig naar beneden zakken.
- Controleer voor gebruik van de lift de temperatuur van het badwater.

1. Blijf de knop Omhoog **B** ingedrukt houden, totdat de zitting op hetzelfde niveau staat als de rand van de badkuip.
2. Zorg ervoor dat de zijflappen op dezelfde hoogte als de zitting zijn en plat op de rand van de badkuip liggen.
3. Vul het bad met water.
4. Ga op de dichtstbijzijnde zijflap zitten zoals u ook op een stoel zou gaan zitten.
5. Schuif naar achteren totdat u in het midden van de zitting zit.
6. Draai uzelf in de positie voor het baden door eerst een been over de rand van het bad te tillen en daarna het andere been.
7. Druk wanneer u goed zit op de knop Omlaag **D** en houd deze knop ingedrukt om de zitting in de badkuip te laten zakken.

**i** Wanneer de zitting de laagste stand heeft bereikt, kan de rugleuning schuiner naar achteren worden gebracht door de knop Omlaag **D** ingedrukt te houden. Op deze manier realiseert u een wat comfortabeler positie voor het nemen van uw bad en kunt u zichzelf ook dieper in het water laten zakken (niet op model ORCA F).

8. Houd de knop Omlaag ingedrukt totdat de rugleuning de gewenste stand heeft bereikt.

**i** Volg deze stappen in omgekeerde richting om uit de badkuip te komen.

9. Druk om de rugleuning of de badlift omhoog te brengen op de knop Omhoog **B** en houd deze ingedrukt totdat de gewenste stand is bereikt.

**!** **BELANGRIJK!**

- Koppel de handbedieningseenheid los van het apparaat wanneer de badlift niet wordt gebruikt. Zie het gedeelte 5.2 De badlift verwijderen, pagina 147, stap 3.

## 5 Transport

### 5.1 Veiligheidsinformatie



#### LET OP!

De rugleuning is niet vergrendeld aan de zitting wanneer de stoel samengevouwen is en kan losraken van de zitting.

- Verwijder de zuignappen niet tijdens het verplaatsen van de badlift.
- Neem de handbedieningseenheid uit de rugleuning voor het verplaatsen.
- Raadpleeg het hoofdstuk 9.4 Omgevingsparameters, pagina 155 voor de voorschriften voor opslag en transport.

1. Verwijder de handbedieningseenheid.
2. Demonteer de badlift in twee delen voor transport (zitting en rugleuning). Zie hoofdstuk 5.2 De badlift verwijderen, pagina 147.

### 5.2 De badlift verwijderen

1. Laat het bad leeglopen.
2. Breng de badlift omlaag met de knop Omlaag totdat de rugleuning in de laagste eindpositie stopt. Zie hoofdstuk 4.2 De badlift bedienen, pagina 143.

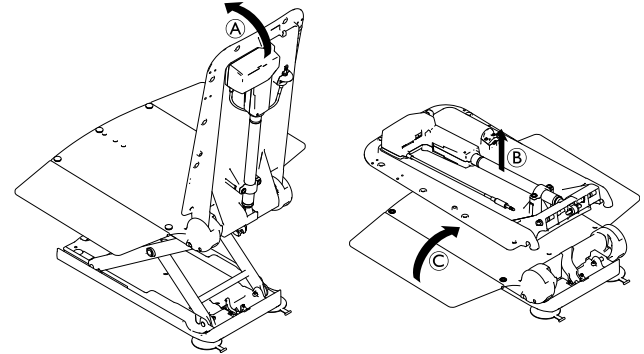
3. Maak de stekkeropening van de spiraalkabel van de handbedieningseenheid open door op de ontgrendelingslus te drukken en de afdekking van de contactstekker te trekken.



#### BELANGRIJK!

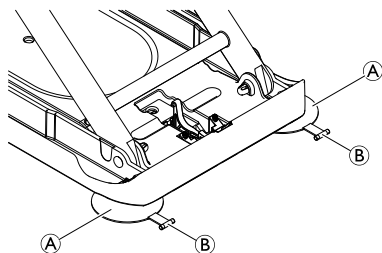
##### Risico op beschadiging

- Zorg er bij het naar beneden klappen van de rugleuning voor dat de spiraalkabel van de handbedieningseenheid niet bekneld raakt.
- Klap de rugleuning niet in als er zich water in de badkuip bevindt.



4. Houd de rugleuning met één hand in het midden van het hoofdeinde vast en vouw deze naar voren tot de eindpositie **A**.
5. Trek de rugleuning van de zitting omhoog en uit het bad **B**.

6. Vouw de flappen aan de zijkant van de zitting naar binnen ©.



**BELANGRIJK!**

- Trek beide achterste zuignappen tegelijkertijd los.

7. Maak de zuignappen aan de achterzijde Ⓐ los door aan de lus Ⓑ te trekken.
8. Til de achterzijde van de zitting verder omhoog. Hierdoor worden de zuignappen aan de voorkant losgetrokken.



**BELANGRIJK!**

- Als u de hoogte-adapters hebt ingesteld (optioneel), dient u ook de lipjes van de voorste zuignappen los te trekken om deze los te maken.

9. Til de zitting uit het bad.
10. Berg alle onderdelen van de badlift zorgvuldig op.

## 6 Onderhoud

### 6.1 Onderhoud en service

Als de meldingen voor reiniging en veiligheid in acht worden genomen, heeft het product geen onderhoud nodig.

#### ! BELANGRIJK!

De handbediening mag alleen worden opengemaakt door de fabrikant van de badlift.

1. Controleer het product regelmatig op schade en zorg ervoor dat het stevig is gemonteerd.
2. Neem direct contact op met uw dealer in geval van schade en/of vereiste reparatie.
3. De badlift moet worden gecontroleerd door een erkende dealer voor elk hergebruik. Het wordt aanbevolen de badlift na uiterlijk 24 maanden te controleren (conform EN ISO 10535).
4. Als de badlift langere tijd niet wordt gebruikt, moet de accu volledig worden opgeladen en moet de badlift drie keer zonder lading omhoog en omlaag worden gebracht. Herhaal dit proces elke 3 maanden. Dit helpt de levensduur van de accu te behouden.

### 6.2 Reinigen en desinfecteren

Het product kan worden gereinigd en gedesinfecteerd met behulp van commercieel verkrijgbare middelen.

1. Desinfecteer het product door alle algemeen toegankelijke oppervlakken af te nemen met een desinfecteermiddel (indien mogelijk na demontage van het product).

#### ! BELANGRIJK!

Alle gebruikte reinigings- en desinfecteringsmiddelen moeten effectief zijn, met elkaar gecombineerd kunnen worden en de te reinigen materialen beschermen.

- Raadpleeg voor meer informatie over goede hygiëne en desinfectie (in de intramurale gezondheidszorg) de Nederlandse Vereniging van Zeepfabrikanten (NVZ) ([www.nvz.nl](http://www.nvz.nl)).
- Reinig het product regelmatig met de hand.
- Gebruik geen schurende of bijtende reinigingsmiddelen.

### De zitting en de rugleuning reinigen



#### LET OP!


##### Beknellingsgevaar voor de vingers

– Wees met name voorzichtig bij het reinigen van het gedeelte rond de liftarmen. Deze kunnen bewegen en zo letsel veroorzaken.

#### ! BELANGRIJK!

##### Risico op beschadiging

– Gebruik nooit een hogedrukreiniger voor het reinigen van de rugleuning.

1. Reinig het product met een doek of een borstel.
2. Spoel het product met warm water af.
3. Droog het product met een doek.
4. Vet de geleiding van de glijshoek (afb. hoofdstuk 3.1, ) lichtjes met vaseline in.

## De hoezen reinigen (optioneel)



Daarnaast wordt aanbevolen om de bekleding voorafgaand aan het eerste gebruik te wassen. Om hygiënische redenen wordt het aanbevolen de bekleding regelmatig te wassen en verwisselen.

1. Maak de hoezen van de zitting en de rugleuning los.
2. Was de bekleding met een mild wasmiddel in de wasmachine op maximaal 60 °C.



### **BELANGRIJK!**

#### **Risico op beschadiging**

- Wassen op hoge temperaturen kan leiden tot het krimpen van het materiaal.
- Droog de bekleding niet in de wasdroger.

## De lader en de handbediening reinigen



### **WAARSCHUWING!**

#### **Risico op elektrische schokken**

- Haal altijd de netstekker uit het stopcontact voordat u de lader gaat reinigen.
- Plaats nooit objecten van geleidend materiaal (bijvoorbeeld breinaalden of metalen pennen) in de stekkeropening van de handbediening.
- Gebruik nooit een natte of vochtige doek voor het reinigen van de lader.

1. Reinig de lader met een droge doek.
2. Veeg de handbediening af met een vochtige doek en droog deze met een droge doek.

## 7 Na gebruik

### 7.1 Opslag



#### **BELANGRIJK!**

#### **Risico op beschadiging**

- Bewaar dit product niet in de buurt van warmtebronnen.
- Stel dit product niet bloot aan direct zonlicht.
- Raadpleeg het hoofdstuk 9.4 Omgevingsparameters, pagina 155 voor de voorschriften voor opslag en transport.

### 7.2 Hergebruiken

Dit product is geschikt voor hergebruik. Het aantal keer dat het product kan worden hergebruikt, hangt af van de frequentie van het gebruik en de manier waarop het product wordt gebruikt. Het product moet voor hergebruik een hygiënische voorbereiding ondergaan (→ 6.2 Reinigen en desinfecteren, pagina 149) en worden gecontroleerd om te verzekeren dat het product nog in goede staat is en veilig werkt. Repareer het product indien nodig.

### 7.3 Afvoeren

Het afvoeren en recyclen van gebruikte producten en verpakking moet volgens de toepasselijke wettelijke regelgevingen gebeuren.



#### **WAARSCHUWING!**

- Gooi de handbedieningseenheid niet in het vuur en bewaar hem ook niet in de buurt van open vuur.

Meldingsplicht in overeenstemming met Duitse regelgeving inzake accu's, BattG:

Dit product bevat een oplaadbare lithium-ionaccu. Lege accu's of accu's die niet langer kunnen worden opgeladen, mogen niet worden weggegooid met het huisafval. Oude accu's kunnen gevaarlijke stoffen bevatten die gevaarlijk kunnen zijn voor het milieu en de volksgezondheid.

Breng dergelijke accu's naar uw verkoper of naar het lokale verzamelpunt. Het inleveren van deze accu's is gratis en wordt door de wet vereist.

Plaats lege batterijen alleen in de geleverde containers en dek de polen van lithiumaccu's af.

## 8 Problemen oplossen

### 8.1 Defecten identificeren en repareren



In de volgende tabel vindt u een overzicht van storingen en de mogelijke oorzaken daarvan. Als u de storing niet kunt verhelpen met behulp van de gegeven oplossingen, kunt u ook rechtstreeks contact opnemen met uw dealer.

Defect	Mogelijke oorzaak	Oplossing
Er is geen motorgeluid te horen/de lift beweegt niet.	De stekkeropening van de handbedieningseenheid is niet goed gesloten.	Sluit de stekkeropening, → 3.3 De badlift opzetten, pagina 139 stap 5.
	De accu is leeg.	Laad de accu volledig op, → 3.4 De accu opladen, pagina 141
	De contactpunten zijn vuil.	Reinig de contactstekker op de rugleuning, → Neem indien nodig contact op met uw dealer.
	De kabel is bekneeld of beschadigd.	Vervang de handbedieningseenheid, → Neem indien nodig contact op met uw dealer.
De lift kan wel omhoog worden gebracht, maar niet omlaag.	De beveiliging tegen laagspanning is geactiveerd.	Laad de accu volledig op, → 3.4 De accu opladen, pagina 141
De lift stopt tijdens het naar boven brengen.	Overbelasting.	Neem de maximale belasting in acht, → 9.1 Afmetingen en gewicht, pagina 154
De badlift kan niet goed worden bevestigd in de badkuip.	De zuignappen zijn oud of beschadigd.	Vervang de zuignappen, → Neem indien nodig contact op met uw dealer.
De accu laadt niet op en het rode lampje knippert tijdens het opladen.	Defecte elektronica.	Laat uw handbedieningseenheid controleren door uw erkende dealer.
	Defecte accu.	Vervang de handbedieningseenheid.



<b>Defect</b>	<b>Mogelijke oorzaak</b>	<b>Oplossing</b>
	Defecte acculader.	Laat uw lader controleren door uw erkende dealer.
	De accu wordt te heet.	Laad de handbedieningseenheid niet op in de buurt van warmtebronnen, zoals verwarmingselementen of in direct zonlicht. Het laden wordt automatisch hervat zodra de temperatuur is gedaald tot de toegestane waarden.

## 9 Technische Specificaties

### 9.1 Afmetingen en gewicht

Totale lengte in laagste stand	920 mm
Totale lengte in hoogste stand	650 mm
Totale hoogte in hoogste stand	1075 mm
Lengte van zitting	590 mm
Breedte van zitting met zijflappen naar buiten gevouwen	715 mm
Breedte van zitting met zijflappen naar binnen gevouwen	390 mm
Hoogte van zitting in laagste stand	60 mm
Hoogte van zitting in hoogste stand	420 mm
Breedte van rugleuning	360 mm
Minimale hoek van rugleuning	8°
Breedte van basisplaat	295 mm
Maximale belasting (ORCA / ORCA F) Maximale belasting (ORCA XL)	140 kg 170 kg
Totaal gewicht zonder handbedieningseenheid (ORCA) (ORCA F) (ORCA XL)	10,8 kg 11,4 kg 11,6 kg

Gewicht van zitting (ORCA) (ORCA F) (ORCA XL)	6,6 kg 7,2 kg 7,4 kg
Gewicht van rugleuning (ORCA / ORCA F / ORCA XL)	4,2 kg
Gewicht van handbedieningseenheid	0,4 kg
Gewicht van lader	0,1 kg

### 9.2 Elektronische gegevens

Activeringsdruk voor de knoppen van de handbedieningseenheid	< 5 N
Bedrijfsspanning van handbedieningseenheid <sup>1)</sup>	10,8 V DC / 14 V DC
Nominale ingangsvoeding <sup>1)</sup>	43 VA / 56 VA
Nominale stroomwaarde	4 A
Accutype	Lithium-ion
Laderinvoer	100 - 240 V AC, 50 - 60 Hz
Laderuitvoer	24 V DC, 135 mA, 3 VA
Laadtijd vanaf waarschuwing voor laagspanning ongeveer	uur 4,5 h
Type beveiliging, aandrijving	IP X6 W <sup>2)</sup>
Type beveiliging, handbedieningseenheid	IP 67 <sup>3)</sup>

Type beveiliging, hele apparaat	IP X6 <sup>4)</sup>
Geluidsniveau	52 dB(A)

<sup>1)</sup> 10,8 V DC / 43 VA geldt voor gebruik van handbedieningen met een voltage van 10,8 V, zoals aangegeven op de achterkant van de handbediening.

14 V DC / 56 VA geldt voor gebruik van handbedieningen met een voltage van 14 V, zoals aangegeven op de achterkant van de handbediening.

<sup>2)</sup> Beschermd tegen indringen van water in geval van krachtige waterstralen, getest onder voorgeschreven wateromstandigheden.

<sup>3)</sup> Stoffbestendig en beschermd tegen indringen van water ingeval van tijdelijke onderdompeling.

<sup>4)</sup> Beschermd tegen indringen van water in geval van krachtige waterstralen.

### 9.3 Materialen

Rugleuning	PPGF
Zitplaat	PPGF
Afdekkingen	PVC



Alle gebruikte materialen zijn roestbestendig en latexvrij.

### 9.4 Omgevingsparameters

Bedrijfsomstandigheden	
Omgevingstemperatuur	10 - 40 °C
Relatieve luchtvochtigheid	15% - 93%, zonder condensvorming
Atmosferische druk	795 - 1060 hPa
Voorschriften voor opslag en transport	
Omgevingstemperatuur	0 - 40 °C
Relatieve luchtvochtigheid	30% - 75%, zonder condensvorming
Atmosferische druk	795 - 1060 hPa



---

# Índice

---

Este manual TEM de ser fornecido ao utilizador do produto. ANTES de utilizar este produto, leia este manual e guarde-o para futuras consultas.

<b>1 Geral</b>	<b>.158</b>
1.1	Informações gerais . . . . .158
1.2	Símbolos utilizados neste manual de utilização. . . . .158
1.3	Garantia . . . . .158
1.4	Conformidade . . . . .158
1.5	Utilização prevista . . . . .159
1.6	Vida útil . . . . .159
<b>2 Segurança</b>	<b>.160</b>
2.1	Informações de segurança . . . . .160
2.2	Informação de segurança sobre compatibilidade eletromagnética . . . . .160
2.3	Rótulos e símbolos no produto . . . . .161
<b>3 Configuração</b>	<b>.163</b>
3.1	Informações de segurança . . . . .163
3.2	Volume de entrega . . . . .163
3.3	Configurar o elevador de banho . . . . .165
3.4	Carregar a bateria . . . . .167
<b>4 Utilização</b>	<b>.169</b>
4.1	Informações de segurança . . . . .169
4.2	Controlar o elevador de banho . . . . .169
4.3	Tomar banho. . . . .171
<b>5 Transporte</b>	<b>.173</b>
5.1	Informações de segurança . . . . .173
5.2	Remover o elevador de banho. . . . .173
<b>6 Manutenção</b>	<b>.175</b>
6.1	Manutenção e assistência . . . . .175
6.2	Limpeza e desinfecção . . . . .175

<b>7 Após a utilização</b>	<b>.177</b>
7.1	Armazenamento . . . . .177
7.2	Reutilização. . . . .177
7.3	Eliminação . . . . .177
<b>8 Resolução de problemas</b>	<b>.178</b>
8.1	Identificar e reparar as avarias. . . . .178
<b>9 Características técnicas</b>	<b>.180</b>
9.1	Dimensões e peso. . . . .180
9.2	Dados electrónicos . . . . .180
9.3	Materiais . . . . .181
9.4	Parâmetros ambientais . . . . .181

# 1 Geral

## 1.1 Informações gerais

Este manual de utilização contém informações importantes sobre a manipulação do produto. De forma a garantir a segurança durante a utilização do produto, leia cuidadosamente o manual de utilização e siga as instruções de segurança. As especificações de posição (A, B, C, etc.) nas instruções de manipulação dizem sempre respeito à figura anterior.

## 1.2 Símbolos utilizados neste manual de utilização

Neste manual de utilização as advertências estão assinaladas com símbolos. O título junto ao símbolo de advertência indica o nível de perigo.



### ADVERTÊNCIA

Indica uma situação perigosa que pode levar a morte ou lesões graves, caso não seja evitada.



### ATENÇÃO

Indica uma situação perigosa que pode levar a ferimentos ligeiros, caso não seja evitada.



### IMPORTANTE

Indica uma situação perigosa que pode levar a danos, caso não seja evitada.



Sugestões, recomendações e informações úteis para assegurar um funcionamento eficiente e sem problemas.



Este produto está em conformidade com a directiva 93/42/CEE sobre produtos médicos. A data de lançamento deste produto está especificada na declaração de conformidade da CE.



Fabricante

## 1.3 Garantia

Facultamos uma garantia de fabrico para o produto, em conformidade com os nossos Termos e Condições Gerais de Compra nos respectivos países. As reclamações de garantia só podem ser realizadas através do fornecedor ao qual o aparelho foi adquirido.

As capas e as ventosas não estão cobertas pela garantia.

## 1.4 Conformidade

A qualidade é da máxima importância para a nossa empresa. Todos os processos têm por base as normas ISO 9001 e ISO 13485.

Este produto apresenta a marca CE, em conformidade com a Diretiva Dispositivos Médicos 93/42/CEE de Classe 1.

O produto cumpre os requisitos da norma ISO EN 14971 (Dispositivos médicos — Aplicação da gestão de risco aos dispositivos médicos), DIN EN ISO 10535 (Dispositivos de levantamento para a transferência de pessoas deficientes - Requisitos e métodos de ensaio).

Tem uma capacidade de elevação 1,5 vezes superior à carga nominal.

A Invacare® tem empreendido um esforço contínuo para reduzir ao mínimo o impacto local e global da empresa no ambiente.

- Cumprimos a legislação ambiental vigente (por exemplo, as diretivas REEE e RoHS).
- Apenas utilizamos materiais e componentes que cumprem a diretiva REACH.

Para obter mais informações, contacte a Invacare® no seu país (as moradas são indicadas na contracapa deste manual).

## 1.5 Utilização prevista

Os elevadores de banheira facilitam a entrada e saída da banheira. Destinam-se exclusivamente a servir de acessório de banho para pessoas com mobilidade reduzida. Qualquer outra utilização está interdita.

### Indicações

- Redução significativa na função / ausência de funcionalidade dos membros superiores e/ou inferiores (tais como amputações, paralisia, perturbações articulares, perturbações neuromusculares com deficiência nos membros), quando já não é possível uma entrada e saída autónoma da banheira ao, respectivamente, sentar e levantar-se; o controlo do tronco e a capacidade funcional básica dos membros ainda deve ser suficiente.
- Consequências crónicas de doença com limitações funcionais dos membros superiores e/ou inferiores que não permitam um banho autónomo; quando é possível um banho através da utilização do elevador de banheira e não suficientes outros acessórios de banho para compensação da incapacidade.

## Contra-indicações

Não há contra-indicações associadas à utilização correcta.

## 1.6 Vida útil

A vida útil prevista deste produto é de cinco anos, assumindo que o mesmo é utilizado diariamente e em conformidade com as instruções de segurança, instruções de manutenção e utilização prevista indicados neste manual.

## 2 Segurança

### 2.1 Informações de segurança



#### ADVERTÊNCIA!

- Não utilize este produto ou qualquer equipamento opcional disponível sem primeiro ler e compreender estas instruções e todo o material de instrução adicional, assim como os manuais de utilização, os manuais de assistência ou os folhetos de instruções fornecidos com este produto ou com equipamento opcional. Os manuais de produto da Invacare estão disponíveis na Internet ou através do seu fornecedor local (endereços no verso deste manual).
- Se não compreender as advertências, avisos ou instruções, contacte um profissional de cuidados de saúde, o fornecedor ou a equipa técnica antes de tentar utilizar este equipamento – caso contrário, podem ocorrer lesões ou danos.



#### ADVERTÊNCIA!

##### Risco de lesão

- Não utilizar se apresentar defeitos.
- No caso de avaria, contacte imediatamente o seu representante.
- Não faça quaisquer modificações ou alterações não autorizadas ao produto.
- Utilize apenas peças sobressalentes fabricadas para este produto.



#### ADVERTÊNCIA!

##### Risco de lesão

- Nunca se coloque de pé sobre o elevador de banheira para entrar ou sair da banheira, não o utilize para apoio ao elevar-se ou ao baixar-se, como plataforma de elevação ou com qualquer objetivo semelhante.



#### IMPORTANTE!

- As informações neste documento podem ser alteradas sem aviso prévio.
- Verifique e teste todas as peças antes da utilização para verificar se ocorreram danos no transporte.

### 2.2 Informação de segurança sobre compatibilidade eletromagnética

Este produto foi aprovado nos testes de normas internacionais sobre compatibilidade eletromagnética. No entanto, os campos eletromagnéticos como aqueles gerados por transmissores de rádio e televisão, equipamento de rádio e telefones móveis podem influenciar o funcionamento de produtos com unidades elétricas. Os componentes eletrônicos utilizados neste produto também pode causar interferências eletromagnéticas fracas, embora estas estejam abaixo dos limites legais. Por isso, deve ter em atenção as seguintes advertências:



**ATENÇÃO!****Interferência eletromagnética**

Equipamento de comunicações sem fios, tais como routers WLAN, telemóveis, telefones sem fios e as respetivas estações base ou walkie-talkies podem afetar este equipamento.

- Certifique-se de que estes dispositivos permanecem pelo menos a uma distância de 2 m do elevador de banheira.

**ATENÇÃO!****Interferência eletromagnética**

A interferência eletromagnética pode fazer com que o dispositivo pare subitamente (embora tal seja extremamente improvável) e comece a mover-se autonomamente.

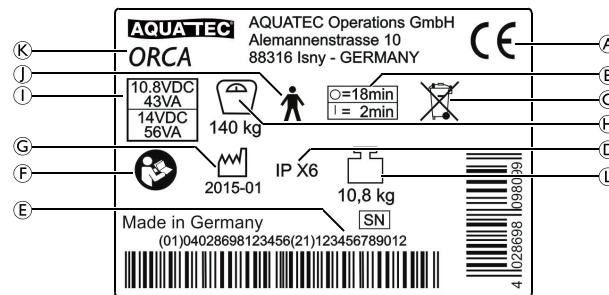
- Desligue o dispositivo externo e/ou o seu produto Invacare® se observar uma ocorrência destas.
- Se outros produtos médicos elétricos causarem interferência ou sofrerem interferências, desligue o seu produto Invacare® e contacte o seu fornecedor.



As diretrizes e a declaração do fabricante relacionadas com emissões eletromagnéticas e imunidade estão disponíveis a pedido junto da Invacare® no seu país.

**2.3 Rótulos e símbolos no produto****Etiqueta de identificação**

A etiqueta de identificação também contém informações importantes:



(A)	Marca de conformidade
(B)	Ciclo de utilização (máx. 2 min/18 min)
(C)	Observação (eliminação)
(D)	Tipo de protecção
(E)	Número de série do dispositivo
(F)	Observação (ver os documentos em anexo)
(G)	Horizonte temporal da produção
(H)	Limite de carga
(I)	Tensão nominal/potência nominal, consulte a secção 9.2 Dados electrónicos, página 180

①	Peça aplicada de tipo B
Ⓚ	Designação do dispositivo
Ⓛ	Peso do produto



A etiqueta de identificação está colocada na parte posterior do encosto.

## 3 Configuração

### 3.1 Informações de segurança



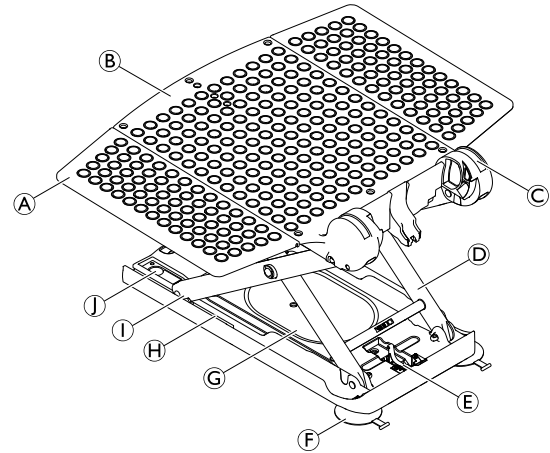
#### IMPORTANTE!

- Verifique se as peças foram danificadas durante o transporte antes de utilizar e contacte o fornecedor se necessário.
- Durante a montagem, assegure que as peças estão posicionadas corretamente em relação umas às outras.
- Recomenda-se a lavagem das capas antes da primeira utilização. Ver o capítulo 6.2 Limpeza e desinfeção, página 175

### 3.2 Volume de entrega

Este manual de utilização refere-se aos modelos ORCA, ORCA F e ORCA XL. Estes Modelos diferem no peso e no peso máximo do utilizador, consulte a secção 9.1 Dimensões e peso, página 180 Um assento e uma capa do encosto estão opcionalmente disponíveis para os três modelos. Não é possível baixar o encosto no modelo ORCA F. Os seguintes componentes são incluídos na entrega:

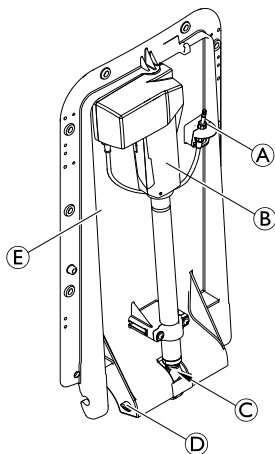
#### Assento



(A)	Aba lateral
(B)	Placa do assento
(C)	Articulação do encosto
(D)	Tesouras de elevação
(E)	Retentor do suporte de eixo
(F)	Ventosas posteriores (duas linguetas com rosca)
(G)	Placa de base
(H)	Calha para o calço de deslizamento

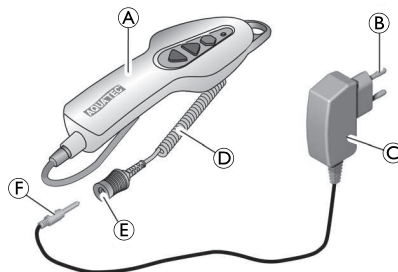
①	Calço de deslizamento
①	Ventosas frontais (uma lingueta com cabeça)

### Encosto



(A)	Ficha jack
(B)	Unidade
(C)	Suporte de eixo
(D)	Pino de engate
(E)	Placa, encosto

### Comando manual e carregador



(A)	Comando manual com bateria
(B)	Ficha de alimentação
(C)	Carregador
(D)	Comando manual com cabo em espiral
(E)	Tomada de ficha jack do comando manual
(F)	Ficha jack do carregador

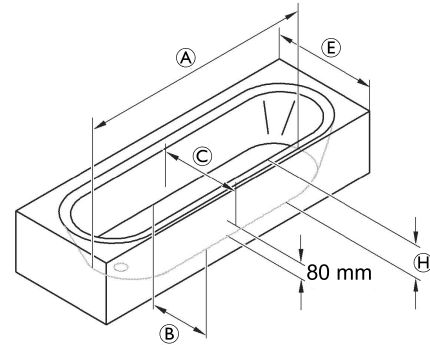
### 3.3 Configurar o elevador de banho



#### ADVERTÊNCIA!

##### Risco de desliz

- O elevador de banho pode escorregar se as ventosas não estiverem a agarrar com firmeza.
- Limpe a banheira e as ventosas com um pano húmido antes de preparar o elevador de banheira.
  - Não modifique a posição do elevador de banho na banheira depois de o mesmo estar configurado.



#### ADVERTÊNCIA!

##### Risco de lesão ou danificação

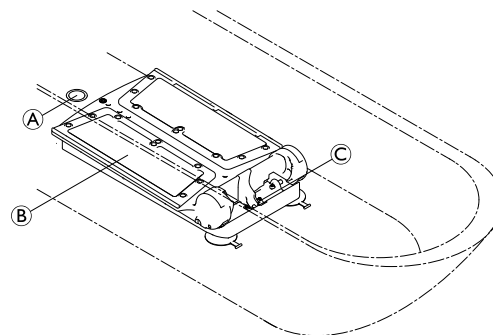
- Instale o elevador de banho apenas em banheiras que estejam em conformidade com as especificações da tabela seguinte.
- Se existir extravasão lateral na banheira, utilize as abas laterais especiais (disponíveis como acessório).

Ⓐ	Comprimento do tubo, base	≥ 800 mm
Ⓑ	Largura do tubo, base (interior)	280 - 600 mm
Ⓒ	Largura do tubo, com altura de 80 mm (interior)	≥ 430 mm
Ⓔ	E Largura do tubo (exterior)	580 - 690 mm (com abas laterais especiais) 700 - 740 mm (com abas laterais standardizadas) 750 - 1000 mm (com abas laterais especiais)
Ⓕ	Altura do tubo (interior)	≤ 420 mm (com adaptador de altura, máx. + 60 mm)

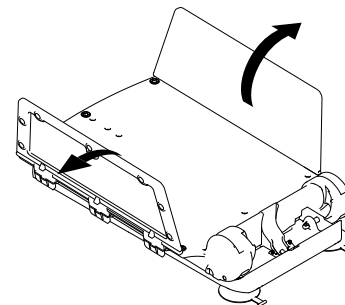


### IMPORTANTE!

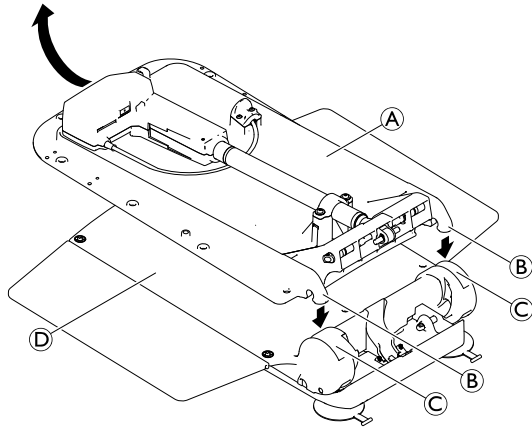
- Assegure que as ventosas estão instaladas.
- Assegure que a bateria no comando manual está carregada.
- Assegure que o suporte de eixo está completamente instalado.
- Ao levantar componentes do elevador da banheira, não se esqueça de avaliar correctamente os pesos, consulte a secção 9.1 Dimensões e peso, página 180
- Se a banheira tiver um corrimão, utilize os desviadores das abas laterais (disponíveis como acessório).
- Dobre as abas laterais para fora antes de levantar o encosto.



1. Coloque o assento **B** na base da banheira vazia. Assegure que o retedor do suporte de eixo **C** está orientado na direcção da extremidade da banheira, no sentido oposto ao ralo **A**.



2. Dobre as abas laterais do assento para fora.



3. Coloque o encosto **A** (sem o comando manual) no assento de forma que os ganchos **B** do encosto fiquem encaixados nas articulações **C** da placa do assento **D**.



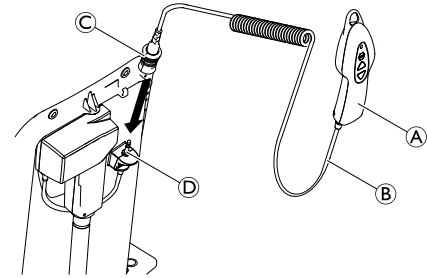
#### **IMPORTANTE!**

##### **Risco de danificação**

Danos ao produto causados pelo deslizamento do suporte de eixo.

- Antes de dobrar o encosto, certifique-se de que o eixo está totalmente retraído e de que o suporte do eixo está nivelado e não está torcido.
- Depois de o encosto estar dobrado, assegure que o suporte de eixo está no respectivo retentor.

4. Fixe o encosto no centro da extremidade da cabeça e eleve-o cuidadosamente para a posição extrema.



5. Ligue a tomada de ficha jack com manga de desbloqueio **C** no cabo em espiral **B** do comando manual **A** à ficha jack **D** até que o mecanismo de bloqueio fique engatado.



#### **IMPORTANTE!**

##### **Risco de danificação**

- Certifique-se de que o encosto não toca na extremidade da banheira.
- Se necessário, coloque o elevador de banheira na direcção da banheira.

### **3.4 Carregar a bateria**

O elevador de banho não pode ser utilizado quando a bateria está a carregar.



### ADVERTÊNCIA!

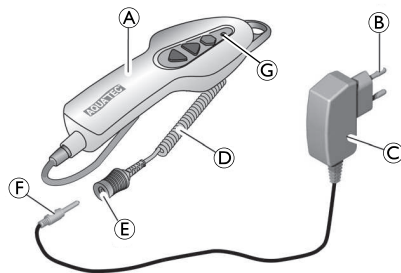
#### Risco de choque eléctrico

- Recarregue a bateria apenas em divisões secas à temperatura ambiente (15 °C a 25 °C) e nunca na casa de banho.



### IMPORTANTE!

- Utilize apenas o carregador facultado para carregar a bateria do comando manual.
- Ligue o carregador à tomada apenas quando o comando manual estiver ligado ao carregador.
- Certifique-se de que as especificações de tensão apresentadas no carregador correspondem às especificações de alimentação da tomada.



1. Insira a ficha jack (F) do carregador (C) na tomada de ficha jack (E) do cabo em espiral (D) do comando manual (A) até ficar engatada.
2. Insira a ficha de alimentação (B) do carregador na tomada.



A lâmpada de indicação vermelha (G) no comando manual apaga-se quando a bateria está completamente carregada. Não é possível „sobrecarregar“ a bateria.

3. Desligue o carregador da tomada.
4. Puxe a ficha jack do carregador para fora da tomada de ficha jack do comando manual.



## 4 Utilização

### 4.1 Informações de segurança



#### ATENÇÃO!

Sobrecarregar o elevador de banho pode causar danos ao dispositivo ou impedir a elevação.

- Não sobrecarregue o elevador de banho e tenha em atenção as especificações na etiqueta de identificação e na Secção 9.1 Dimensões e peso, página 180 com vista à capacidade de carga.



#### ATENÇÃO!

##### Perigo de trilhadeira de dedos

- Não insira os dedos na calha entre a placa do assento e o encosto.
- Não coloque os dedos por baixo da placa de assento ou entre as tesouras de elevação.



#### IMPORTANTE!

A humidade pode penetrar num comando danificado, o que pode provocar um curto-circuito e incêndio.

- Antes de cada utilização, realize sempre uma inspeção visual do produto, procurando sinais de danos exteriores.
- Se a caixa do comando estiver danificada ou apresentar fissuras, não o utilize.
- Recarregue as baterias completamente antes de cada utilização, 3.4 Carregar a bateria, página 167

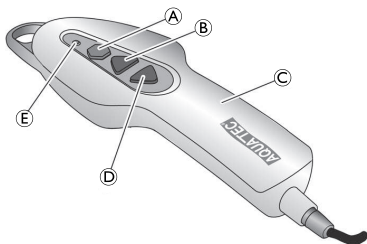
1. Consulte as condições de funcionamento na secção 9.4 Parâmetros ambientais, página 181

### 4.2 Controlar o elevador de banho

O elevador de banho move-se nas seguintes direcções:



O elevador de banho é controlado através do comando manual.



**!** **IMPORTANTE!**  
**Risco de danificação**

– O comando manual só pode ser utilizado quando o encosto está correctamente instalado e na posição vertical.

**!** **IMPORTANTE!**

Se a bateria no comando manual © não estiver suficientemente carregada, a lâmpada de indicação vermelha ⑤ acende-se quando o botão Para baixo ④ é pressionado. Neste caso, a função de abaixamento do elevador de banho é desactivada. No entanto, pode fazer subir o elevador.  
– Recarregue a bateria imediatamente depois de o elevar.



Com uma bateria completamente carregada, o Orca e Orca F conseguem realizar 5 operações de banho com uma carga de 140 kg. O Orca XL consegue realizar 4 operações de banho com uma carga de 170 kg.

## Elevar o elevador de banho

**!** **IMPORTANTE!**

Se o encosto for baixado, irá começar por mover-se, ficando na posição vertical (isto não se aplica ao modelo Orca F).

1. Prima o botão Para cima ② no comando manual e mantenha-o pressionado.  
O encosto move-se para a posição vertical ou o assento move-se para cima.
2. Solte o botão Para cima no comando manual.  
O elevador de banho fica parado na posição actual.

## Baixar o elevador de banho

**!** **IMPORTANTE!**


Se o assento já estiver descido, o encosto baixa para trás (excepto no modelo Orca F).

1. Prima o botão Para baixo ④ no comando manual e mantenha-o pressionado.  
O assento move-se para baixo ou o encosto oscila para trás.
2. Solte o botão Para baixo no comando manual.  
O elevador de banho fica parado na posição actual.

## Interruptor de encerramento de emergência



### IMPORTANTE!

Pressione o botão Encerramento de emergência  apenas se o dispositivo não parar imediatamente quando o botão Para cima ou Para baixo for solto (p. ex., se um botão ficar preso). O elevador de banho pára de se mover imediatamente e a luz vermelha integrada no comando manual acende-se.

Se a luz de indicação vermelha se apagar depois de o botão de emergência ser soltado, a falha foi rectificada (p. ex., o botão é solto novamente). O dispositivo está pronto a ser utilizado outra vez.

Se a luz de indicação vermelha se mantiver acesa depois de o botão de emergência ser soltado, a falha não foi rectificada. O dispositivo não está pronto a ser utilizado e deve ser reparado, p. ex., no caso de danos aos componentes electrónicos.



Contacte o seu fornecedor, se necessário.

## 4.3 Tomar banho



### ADVERTÊNCIA!

#### Risco de desliz

O elevador de banho pode escorregar se as ventosas não estiverem a agarrar com firmeza.

- Antes de utilizar o elevador de banho assegure que este está posicionado com segurança, não podendo tomar.
- Assegure que o elevador de banho está instalado na banheira da forma descrita na Secção 3.3 Configurar o elevador de banho, página 165



### ADVERTÊNCIA!

- Se a sua condição o impedir de tomar banho sozinho, utilize o dispositivo apenas quando estiver acompanhado.
- Se utilizar o dispositivo sem supervisão, certifique-se de que tem um sistema de alarme ou telefone ao seu alcance, em caso de acontecimentos imprevistos (por exemplo, avarias).



### ATENÇÃO!


Os óleos ou sais de banho podem comprometer o desempenho das tesouras de elevação.

- Se utilizar este tipo de suplementos de banho, não ultrapasse a dose recomendada.

**!** **IMPORTANTE!**

- Mova o elevador sem carga até ao cimo e para baixo (teste de função).
- Antes de utilizar, verifique a temperatura da água do banho.

1. Mantenha pressionado o botão Para cima **Ⓑ** até que o assento esteja ao nível da extremidade da banheira.
2. Certifique-se de que as abas laterais estão ao nível do assento e ficam em posição plana sobre a extremidade da banheira.
3. Encha a banheira de água.
4. Sente-se na aba lateral mais próxima de si como se estivesse numa cadeira.
5. Deslize para trás até ficar sentado no meio do assento.
6. Coloque-se na posição de banho, elevando uma perna de cada vez sobre a extremidade da banheira.
7. Quando estiver sentado correctamente, prima o botão Para baixo **Ⓒ** e mantenha-o pressionado para baixar o assento na banheira.

 Assim que o assento tiver chegado à posição mais baixa, é possível reclinar o encosto continuando a pressionar o botão Para baixo **Ⓒ**. Isto cria uma posição de banho mais confortável e permite que o utilizador fique mais submerso na água do banho (tal não se aplica ao modelo Orca F).

8. Mantenha o botão Para baixo pressionado até que o encosto tenha chegado à posição desejada.



Para sair da banheira, siga estes passos na ordem inversa.

9. Para elevar o encosto ou o elevador de banho, pressione o botão Para cima **Ⓑ**, mantendo-o pressionado até ter chegado à posição desejada.



**IMPORTANTE!**

- Desligue o comando do dispositivo quando o elevador de banheira não estiver a ser utilizado. Consulte a secção 5.2 Remover o elevador de banho, página 173 passo 3.

## 5 Transporte

### 5.1 Informações de segurança



#### ATENÇÃO!

O encosto não fica engatado no assento quando os dois componentes são dobrados, podendo desprender-se.

- Não retire as ventosas quando transportar o elevador de banho.
- Retire o comando manual do encosto para transporte.
- Consulte as condições de armazenamento e envio na secção 9.4 Parâmetros ambientais, página 181

1. Remover o comando manual.
2. Desmonte o elevador de banho em duas secções para transporte (assento e encosto). Ver a Secção 5.2 Remover o elevador de banho, página 173

### 5.2 Remover o elevador de banho

1. Escorra a água da banheira.
2. Baixe o elevador de banho utilizando o botão Para baixo até que o encosto fique parado na posição mais baixa. Veja a Secção 4.2 Controlar o elevador de banho, página 169

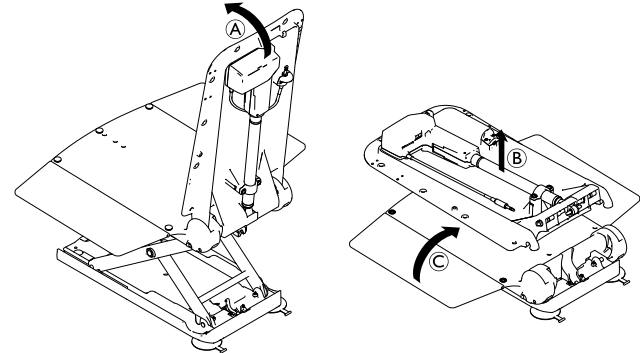
3. Desprenda a tomada de ficha jack no cabo em espiral do comando manual empurrando a manga de desbloqueio e retire-a da ficha jack.



#### IMPORTANTE!

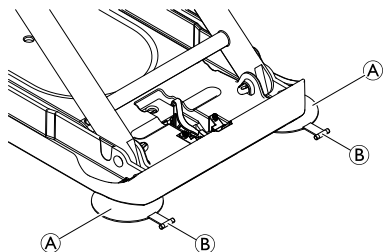
#### Risco de danificação

- Quando dobrar o encosto para baixo, assegure que o cabo em espiral do comando manual não fica preso.
- Não dobre o encosto para baixo se houver água na banheira.



4. Fixe o encosto na extremidade da cabeça com uma mão e dobre-o para a frente até à posição extrema **A**.
5. Retire o encosto do assento e da banheira **B**.

6. Dobre as abas laterais do assento para dentro ©.



**IMPORTANTE!**

- Solte as duas ventosas posteriores ao mesmo tempo.

7. Solte a ventosa posterior © puxando-a pela lingueta ©.
8. Levante a parte posterior do assento para a frente. Isto solta as ventosas dianteiras.



**IMPORTANTE!**

- Se os adaptadores de altura tiverem sido instalados (opcional), também tem de puxar as linguetas das ventosas dianteiras para as soltar.

9. Retire o assento da banheira.
10. Armazene com cuidado todos os componentes do elevador de banho.

## 6 Manutenção

### 6.1 Manutenção e assistência

Se as recomendações de limpeza e segurança forem respeitadas, o produto não exige manutenção.



#### IMPORTANTE!

O comando só pode ser operado pelo fabricante do elevador de banheira.

1. Verifique o produto regularmente, procurando sinais de danificação e assegurando que está montado de forma segura.
2. Se ocorrerem danos e/ou necessidade de reparações, contacte imediatamente o fornecedor.
3. O elevador de banheira tem de ser verificado por um fornecedor autorizado antes de cada reutilização. Recomenda-se a verificação do elevador de banheira o mais tardar após 24 meses (em conformidade com a norma EN ISO 10535).
4. Se o elevador de banheira não for utilizado durante um período prolongado, carregue a bateria completamente e eleve e baixe o elevador de banheira 3 vezes sem carga. Repita este processo de 3 em 3 meses. Isto ajuda a conservar a vida útil da bateria.

### 6.2 Limpeza e desinfeção

O produto pode ser limpo e desinfetado utilizando detergentes disponíveis comercialmente.

1. Desinfete o produto limpando com desinfetante todas as superfícies de acesso comum (se possível, desmontando primeiro o produto).



#### IMPORTANTE!

Todos os agentes de limpeza e desinfetantes utilizados devem ser eficazes, compatíveis entre si e passíveis de proteger os materiais aos quais são aplicados para limpeza.

- Para obter mais informações sobre a descontaminação em ambientes de cuidados de saúde, consulte as diretrizes sobre controlo de infeções do "National Institute for Clinical Excellence" ([www.nice.org.uk/CG139](http://www.nice.org.uk/CG139)) e as normas de controlo de infeções locais.
- Limpe o produto à mão regularmente.
- Não utilize agentes de limpeza abrasivos.

### Limpar o assento e o encosto



#### ATENÇÃO!

##### Perigo de trilhadeira de dedos

- Tenha especial cuidado quando limpar na área das tesouras de elevação, uma vez que se podem mover e causar lesões.



#### IMPORTANTE!

##### Risco de danos

- Nunca utilize um dispositivo de limpeza de alta pressão para limpar o encosto.

1. Lave o produto com um pano ou escova.
2. Enxague o produto com água quente.
3. Seque o produto com um pano.
4. Lubrifique levemente a calha para o calço de deslizamento (Fig. Sec. 3.1, ⊕) utilizando vaselina.

## Limpar as capas (opcional)



Recomenda-se a lavagem das capas antes da primeira utilização. Por motivos de higiene, recomenda-se a limpeza regular das capas e a mudança das capas anualmente.

1. Desabotoe as capas do assento e do encosto.
2. Lave as capas na máquina a uma temperatura máxima de 60 °C, usando um detergente suave.



### **IMPORTANTE!**

#### **Risco de danos**

- A lavagem a temperaturas elevadas pode causar encolhimento.
- Não seque as capas na secadora.

## Limpar o carregador e o comando



### **ADVERTÊNCIA!**

#### **Risco de choque elétrico**

- Desligue sempre a ficha da tomada antes de limpar o carregador.
- Nunca insira objetos feitos de materiais condutores (p. ex., agulhas de coser, pinos de metal) na tomada de ficha jack do comando.
- Nunca utilize um pano molhado ou húmido para limpar o carregador.

1. Limpe o carregador com um pano seco.
2. Limpe o comando com um pano húmido e seque-o com um pano seco.



## 7 Após a utilização

### 7.1 Armazenamento



#### **IMPORTANTE!**

#### **Risco de danificação**

- Não guarde o produto junto a fontes de calor.
- Não exponha o produto a luz solar directa.
- Consulte as condições de armazenamento e envio na secção 9.4 Parâmetros ambientais, página 181

### 7.2 Reutilização

O produto é adequado a reutilização. O número de vezes que pode ser reutilizado depende da frequência e forma de utilização do produto. Antes da reutilização, o produto deve ser submetido a preparação higiénica (→ 6.2 Limpeza e desinfeção, página 175), sendo verificado se está numa condição adequada e segura. Caso necessário, efectue reparações.

### 7.3 Eliminação

A eliminação e reciclagem dos produtos utilizados, bem como da embalagem, deverão ser realizadas em conformidade com os regulamentos legais aplicáveis.



#### **ADVERTÊNCIA!**

- Nunca atire o comando manual para um foco de chamas nem o guarde junto a chamas abertas.

Dever de informação em conformidade com a Directiva Alemã sobre Baterias, BattG:

Este produto contém uma bateria de iões de lítio recarregável. As baterias descarregadas ou aquelas que já não é possível recarregar não podem ser eliminadas em conjunto com o lixo doméstico. As baterias velhas podem conter substâncias nocivas potencialmente perigosas para o ambiente e a saúde pública.

Devolva as baterias deste tipo ao seu fornecedor ou deposite-as no seu centro de recolha municipal. A devolução das baterias é gratuita e exigida por lei.

Coloque nos recipientes facultados apenas as baterias descarregadas e cubra os pólos das baterias de lítio.

## 8 Resolução de problemas

### 8.1 Identificar e reparar as avarias



A tabela seguinte faculta informações sobre avarias e as suas causas possíveis. Se não conseguir corrigir a avaria utilizando as soluções indicadas, contacte directamente o seu fornecedor.

Avaria	Causa possível	Solução
Não se ouve ruído do motor/o elevador não se move.	A tomada de ficha jack do comando manual não está fechada correctamente.	Prenda a tomada de ficha jack, → 3.3 Configurar o elevador de banho, página 165 passo 5.
	A bateria está sem energia.	Recarregue as baterias completamente, → 3.4 Carregar a bateria, página 167
	Os contactos estão sujos.	Limpe a ligação jack no encosto, → contacte o seu fornecedor, se necessário.
	O cabo está esmagado/danificado.	Substitua o comando manual, → contacte o seu fornecedor, se necessário.
O elevador sobe mas não desce.	A protecção de baixa tensão está activada.	Recarregue as baterias completamente, → 3.4 Carregar a bateria, página 167
O elevador pára enquanto está a subir.	Carga excessiva.	Tenha em atenção a carga máxima, → 9.1 Dimensões e peso, página 180
O elevador de banho não está a aderir com segurança à banheira.	As ventosas estão velhas ou danificadas.	Substitua as ventosas, → contacte o seu fornecedor, se necessário.
A bateria não está a carregar e a luz de indicação vermelha pisca durante o carregamento	Componentes electrónicos avariados.	Solicite ao seu fornecedor autorizado a verificação do comando manual.
	Bateria avariada.	Substitua o comando manual.

<b>Avaria</b>	<b>Causa possível</b>	<b>Solução</b>
	Carregador avariado.	Solicite ao seu fornecedor autorizado a verificação do carregador.
	A bateria está demasiado quente.	Não carregue o comando manual junto a fontes de calos, como elementos de aquecimento, sob a luz solar directa. O carregamento continua automaticamente assim que a temperatura baixar até limites admissíveis.

## 9 Características técnicas

### 9.1 Dimensões e peso

Comprimento total na posição mais baixa	920 mm
Comprimento total na posição mais elevada	650 mm
Altura total na posição mais elevada	1075 mm
Comprimento do assento	590 mm
Largura do assento com as abas laterais dobradas para fora	715 mm
Largura do assento com as abas laterais dobradas para dentro	390 mm
Altura do assento na posição mais baixa	60 mm
Altura do assento na posição mais elevada	420 mm
Largura do encosto	360 mm
Ângulo mínimo do encosto	8°
Largura da placa de base	295 mm
Carga máx. (ORCA / ORCA F) Carga máx. (ORCA XL)	140 kg 170 kg
Peso total sem o comando manual (ORCA) (ORCA F) (ORCA XL)	10,8 kg 11,4 kg 11,6 kg
Peso do assento (ORCA) (ORCA F) (ORCA XL)	6,6 kg 7,2 kg 7,4 kg

Peso do encosto (ORCA / ORCA F / ORCA XL)	4,2 kg
Peso do comando manual	0,4 kg
Peso do carregador	0,1 kg

### 9.2 Dados electrónicos

Força de activação dos botões do comando manual	< 5 N
Tensão de funcionamento do comando manual <sup>1)</sup>	10,8 V DC / 14 V DC
Corrente de entrada nominal <sup>1)</sup>	43 VA / 56 VA
Corrente nominal	4 A
Tipo de bateria	Iões de lítio
Entrada do carregador	100 - 240 V AC, 50 - 60 Hz
Saída do carregador	24 V DC, 135 mA, 3 VA
Tempo de carregamento a partir do aviso de tensão baixa	aprox. 4,5 h
Tipo de protecção, unidade	IP X6 W <sup>2)</sup>
Tipo de protecção, comando manual	IP 67 <sup>3)</sup>
Tipo de protecção, dispositivo completo	IP X6 <sup>4)</sup>
Nível de potência sonora	52 dB(A)

1) 10,8 V DC / 43 VA válido quando utiliza comandos com tensão de 10,8 V, indicada na parte de trás do comando. 14 V DC / 56 VA válido quando utiliza comandos com tensão de 14 V, indicada na parte de trás do comando.

2) Protegido contra a penetração de água na ocorrência de fortes jactos de água, testado sob condições ambientais estipuladas.

3) À prova de pó e protegido contra a penetração de água durante imersão temporária.

4) Protegido contra a penetração de água na ocorrência de fortes jactos de água.

### 9.3 Materiais

Encosto	PP/FV (polipropileno com fibra de vidro)
Placa de assento	PP/FV
Capas	PVC (policloreto de vinilo)



Todos os materiais utilizados são resistentes à corrosão e isentos de látex.

### 9.4 Parâmetros ambientais

Condições de funcionamento	
Temperatura ambiente	10 - 40 °C
Humidade relativa	15% - 93%, sem condensação
Pressão atmosférica	795 - 1060 hPa

Condições de transporte e armazenamento	
Temperatura ambiente	0 - 40 °C
Humidade relativa	30% - 75%, sem condensação
Pressão atmosférica	795 - 1060 hPa



---

# Indholdsfortegnelse

---

Denne vejledning skal overdrages til slutbrugeren. Før du benytter dette produkt, skal du læse denne vejledning, og du bør opbevare den til senere brug.

<b>1 Generelt</b>	<b>.184</b>
1.1 Generelle oplysninger	.184
1.2 Symboler i denne brugsanvisning	.184
1.3 Garanti	.184
1.4 Overensstemmelse	.184
1.5 Tiltænkt anvendelse	.185
1.6 Servicelevetid	.185
<b>2 Sikkerhed</b>	<b>.186</b>
2.1 Sikkerhedsoplysninger	.186
2.2 Sikkerhedsoplysninger om elektromagnetisk kompatibilitet	.186
2.3 Mærkater og symboler på produktet	.187
<b>3 Udpakning</b>	<b>.188</b>
3.1 Sikkerhedsoplysninger	.188
3.2 Indeholdt i leveringen	.188
3.3 Opsætning af badekarliftten	.189
3.4 Opladning af batteriet	.192
<b>4 Brug</b>	<b>.194</b>
4.1 Sikkerhedsoplysninger	.194
4.2 Styling af badekarliftten	.194
4.3 Bad	.196
<b>5 Transport</b>	<b>.197</b>
5.1 Sikkerhedsoplysninger	.197
5.2 Fjernelse af badekarliftten	.197
<b>6 Vedligeholdelse</b>	<b>.199</b>
6.1 Vedligeholdelse og serviceeftersyn	.199
6.2 Rengøring og desinfektion	.199

<b>7 Efter brug</b>	<b>.201</b>
7.1 Opbevaring	.201
7.2 Fornyet brug	.201
7.3 Bortskaffelse	.201
<b>8 Fejlfinding</b>	<b>.202</b>
8.1 Fejlfinding og afhjælpning af fejl	.202
<b>9 Tekniske data</b>	<b>.204</b>
9.1 Mål og vægt	.204
9.2 Elektroniske data	.204
9.3 Materialer	.205
9.4 Miljøparametre	.205

# 1 Generelt

## 1.1 Generelle oplysninger

Denne brugsanvisning indeholder vigtige anvisninger om håndtering af produktet. For at garantere sikkerheden ved brug af produktet skal brugsanvisningen læses omhyggeligt, og sikkerhedsanvisningerne skal følges. Specifikationerne for position A, B, C osv. i håndteringsvejledningen henviser altid til den foregående figur.

## 1.2 Symboler i denne brugsanvisning

I denne brugsanvisning er advarsler markeret med symboler. Titlen ud for advarselssymbolet angiver fareniveauet.



### ADVARSEL

Angiver en farlig situation, som kan medføre dødsfald eller alvorlig kvæstelse, hvis den ikke forhindres.



### FORSIGTIG

Angiver en farlig situation, som kan medføre mindre kvæstelser, hvis den ikke forhindres.



### VIGTIGT

Angiver en farlig situation, som kan medføre skader, hvis den ikke forhindres.



Nyttige tip, anbefalinger og oplysninger, der sikrer en effektiv og nem betjening.



Dette produkt overholder direktivet 93/42/EØF vedrørende medicinske produkter. Lanceringsdatoen for dette produkt fremgår af CE-overensstemmelseserklæringen.



Producent

## 1.3 Garanti

Vi yder en producentgaranti på produktet i overensstemmelse med vores almindelige forretningsbetingelser og vilkår i de respektive lande. Der kan kun rejses garantikrav igennem den forhandler, som produktet er købt hos.

Dette inkluderer ikke betræk og sugekopper.

## 1.4 Overensstemmelse

Kvalitet er af største vigtighed for vores virksomhed. Alle processer er baseret på standarderne ISO 9001 og ISO 13485.

Dette produkt er CE-mærket i overensstemmelse med direktivet om medicinsk udstyr 93/42/EØF klasse 1.

Produktet opfylder kravene i standarderne DS/EN 14971 (Medicinsk udstyr – Anvendelse af risikoledeelse i forbindelse med medicinsk udstyr), DS/EN ISO 10535 (Personløftere til flytning af handicappede personer – krav og prøvningsmetoder).

Den har en løftekapacitet på mere end 1,5 gange den nominelle belastning.

Invacare® arbejder løbende på at sikre, at virksomhedens påvirkning af miljøet, lokalt og globalt, reduceres til et minimum.



- Vi overholder den gældende miljølovgivning (f.eks. WEEE- og RoHS-direktiverne).
- Vi anvender udelukkende materialer og komponenter, der overholder REACH-direktivet.

Kontakt Invacare® i dit land for at få yderligere oplysninger (se adresser på bagsiden af denne manual).

## 1.5 Tiltænkt anvendelse

En badekarlift gør det lettere/muligt at komme ned i og op af badekarret. Den er udelukkende beregnet som et hjælpemiddel til badning for personer med reduceret mobilitet. Enhver anden brug er forbudt.

### Indikationer

- Betydeligt reduceret funktion / manglende funktion af arme og/eller ben (ved amputeringer, lammelse, lidelser i leddene, neuromuskulære lidelser med svækkelse af arme og ben), når det ikke længere er muligt for patienten selv at komme ned i og op af badekarret eller at sætte sig og rejse sig. Patienten skal stadig have kontrol over kroppen og have basal funktionalitet i arme og ben.
- Kroniske følger af sygdom med funktionsbegrænsninger af arme og/eller ben, som medfører, at patienten ikke længere selv kan tage bad, men hvor patienten i vid udstrækning selv kan tage bad ved brug af badekarliften, og andre hjælpemidler til badning for at kompensere for handicappet ikke er tilstrækkelige.

### Kontraindikationer

Der er ingen kontraindikationer forbundet med korrekt brug.

## 1.6 Servicelevetid

Den forventede servicelevetid på dette produkt er fem år, hvor det forventes, at produktet anvendes dagligt og i overensstemmelse med sikkerhedsanvisningerne, vedligeholdelsesanvisningerne og den korrekte brug, der fremgår af denne vejledning.

## 2 Sikkerhed

### 2.1 Sikkerhedsoplysninger



#### ADVARSEL!

- UNDLAD at bruge dette produkt eller nogen former for ekstraudstyr uden først at have læst og forstået denne vejledning og andet instruktionsmateriale som f.eks. brugsanvisninger, servicemanualer eller instruktionsblade, der leveres sammen med dette produkt eller ekstraudstyret. Invacare produktmanualer fås på internettet eller hos din lokale forhandler (adresser findes på bagsiden af denne manual).
- Hvis du ikke kan forstå advarslerne, forsigtighedsanvisningerne eller instruktionerne, skal du kontakte en sundhedsprofessionel, forhandleren eller teknisk personale, før dette udstyr tages i brug – i modsat fald kan der opstå person- eller produktskade.



#### ADVARSEL!

##### Risiko for personskade

- Produktet må ikke anvendes, hvis det er defekt.
- I tilfælde af fejl skal du omgående kontakte din forhandler.
- Foretag ikke uautoriserede ændringer af produktet.
- Brug kun reservedele, der er beregnet til dette produkt.



#### ADVARSEL!

##### Risiko for personskade

- Stå aldrig på badekarsliften, når du stiger ned i eller op af badekarret, brug den ikke til at klatre op eller ned ad, som løfteplatform eller til lignende formål.



#### VIGTIGT!

- Oplysningerne i dette dokument kan ændres uden forudgående varsel.
- Kontrollér alle dele for transportskader, og test dem inden brug.

### 2.2 Sikkerhedsoplysninger om elektromagnetisk kompatibilitet

Dette produkt har bestået test i henhold til internationale standarder for dets elektromagnetiske kompatibilitet. Elektromagnetiske felter, der f.eks. genereres af radio- og tv-sendere, radioudstyr og mobiltelefoner, kan dog påvirke betjeningen af produkter med elmotorer. De elektroniske enheder, der er anvendt i dette produkt, kan også medføre svag elektromagnetisk forstyrrelse, men denne ligger under de lovbestemte grænser. Derfor bør du følge nedenstående advarsler:

**FORSIGTIG!****Elektromagnetisk interferens**

Dette udstyr kan blive påvirket af trådløst kommunikationsudstyr som f.eks. trådløse routere, mobiltelefoner, trådløse telefoner og deres basestationer eller walkie-talkies.

– Sørg for, at disse enheder befinder sig i en afstand på mindst 2 m fra badekarsliften.

**FORSIGTIG!****Elektromagnetisk interferens**

Elektromagnetisk interferens kan få enheden til at stoppe pludseligt eller (selv om det er yderst usandsynligt) begynde at bevæge sig af sig selv.

– Sluk for den eksterne enhed og/eller Invacare®-produktet, hvis du oplever dette.  
– Hvis andet elektrisk betjent medicinsk udstyr medfører interferens eller selv afbrydes, skal du slukke for Invacare®-produktet og kontakte din forhandler.

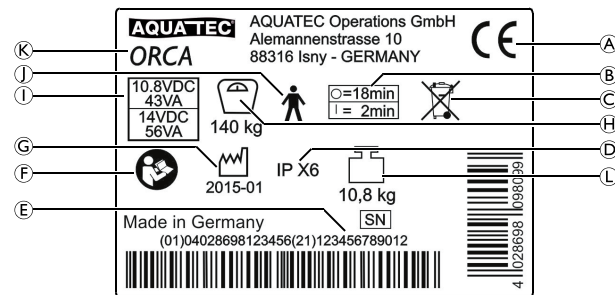


Vejledning og producentens erklæring vedrørende elektromagnetiske emissioner og immunitet kan rekvireres hos Invacare® i dit land.

## 2.3 Mærkater og symboler på produktet

### Typeskilt

Typeskiltet indeholder også vigtige oplysninger:



(A)	Overensstemmelsesmærkat
(B)	Driftscyklus (maks. 2 min./18 min.)
(C)	Bemærk: bortskaffelse
(D)	Beskyttelsestype
(E)	Serienummer
(F)	Bemærk (se de medfølgende dokumenter)
(G)	Produktionstidsramme
(H)	Belastningsevne
(I)	Nominal spænding/mærkeeffekt, se afsnit 9.2 Elektroniske data, side 204
(J)	Anvendt type B-del
(K)	Enhedens betegnelse
(L)	Produktvægt



Typeskiltet er placeret på bagsiden af ryglænet.

## 3 Udpakning

### 3.1 Sikkerhedsoplysninger



#### VIGTIGT!

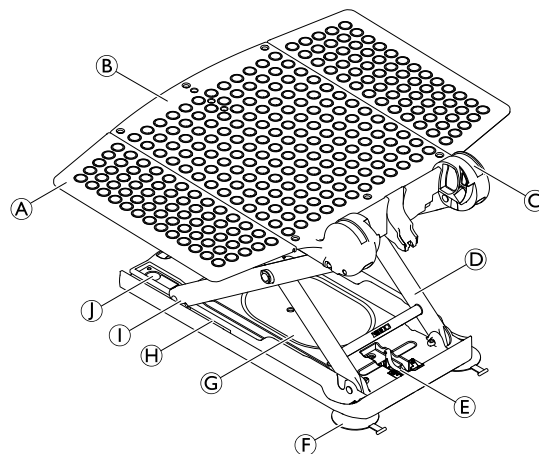
- Kontrollér delene for transportskader før ibrugtagning, og kontakt om nødvendigt din forhandler.
- Kontrollér under monteringen, at delene placeres korrekt i forhold til hinanden.
- Det anbefales at vaske polstringen før første ibrugtagning, se kapitel 6.2 Rengøring og desinfektion, side 199

### 3.2 Indeholdt i leveringen

Denne brugsanvisning vedrører modellerne ORCA, ORCA F og ORCA XL. Der er forskel på disse modeller med hensyn til vægt og maks. brugervægt, se afsnit 9.1 Mål og vægt, side 204. Til alle tre modeller fås sædebetræk og ryglæns polstring som ekstraudstyr. Ryglænet kan ikke sænkes på model ORCA F.

Følgende komponenter medfølger ved levering:

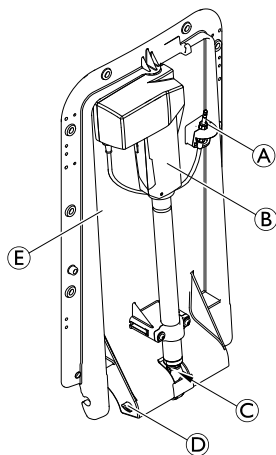
### Sæde



(A)	Sideklap
(B)	Sædeplade
(C)	Hængsel til ryglæn
(D)	Saksearme
(E)	Motorbefæstigelse
(F)	Bagerste sugekopper (to lasker med gevind)
(G)	Grundplade
(H)	Skinne til glidesko

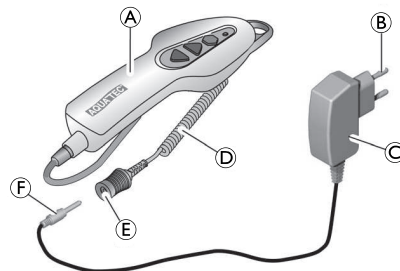
①	Glidesko
①	Forreste sugekopper (en lask med hoved)

## Ryglæn



Ⓐ	Indgangsstik
Ⓑ	Motor
Ⓒ	Spindelfod
Ⓓ	Låsebolt
Ⓔ	Plade til ryglæn

## Håndbetjening og oplader



Ⓐ	Håndbetjening med batteri
Ⓑ	Strømstik
Ⓒ	Oplader
Ⓓ	Spiralkabel til håndbetjening
Ⓔ	Indgangsstik til håndbetjening
Ⓕ	Indgangsstik til oplader

## 3.3 Opsætning af badekarsliften



### ADVARSEL!

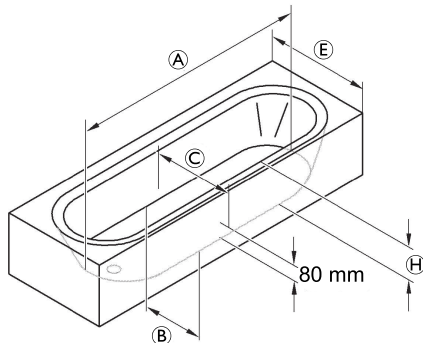
#### Risiko for at skride

Badekarsliften kan skride, hvis sugekopperne ikke har ordentlig fat.

- Rengør badekarret og sugekopperne med en fugtig klud, før badekarsliften sættes op.
- Flyt aldrig badekarsliftens placering i badekarret, efter den er sat op.

**ADVARSEL!****Risiko for personskade og produktskade**

- Sæt kun badekarsliften op i badekar, der overholder specifikationerne i nedenstående tabel.
- Hvis badekarret har sideoverløb, skal specialsideklapperne bruges (fås som tilbehør).

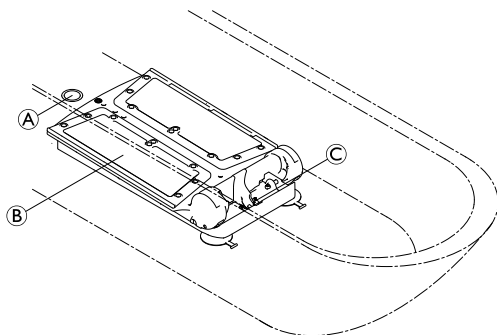


Ⓐ	Badekarslængde bund	≥ 800 mm
Ⓑ	Badekarsbredde bund (indvendig)	280 - 600 mm
Ⓒ	Badekarsbredde ved 80 mm højde (indvendig)	≥ 430 mm

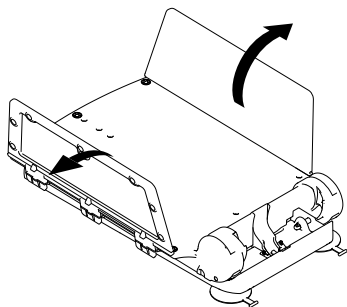
Ⓔ	Badekarsbredde (udvendig)	580 - 690 mm (inkl. specielle sideklapper)  700 - 740 mm (inkl. alm. sideklapper)  750 - 1000 mm (inkl. specielle sideklapper)
Ⓕ	Badekarshøjde (indvendig)	≤ 420 mm (med højdeindstilling, maks. + 60 mm)

**VIGTIGT!**

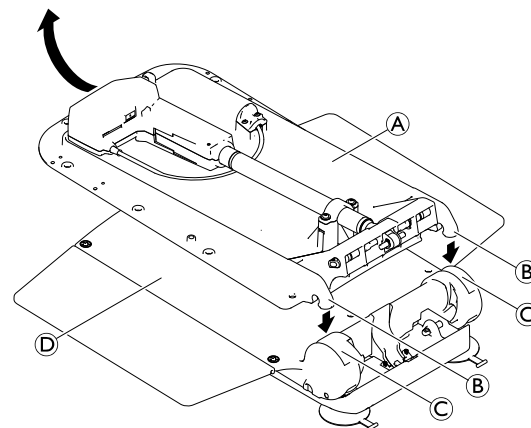
- Sørg for, at sugekopperne er monterede.
- Sørg for, at batteriet i håndbetjeningen er opladet.
- Sørg for, at motoren er ordentlig isat.
- Husk at beregne vægten af komponenterne, når badekarsliften løftes, se afsnit 9.1 Mål og vægt, side 204
- Anvend sideklapaflederne, hvis badekarret er udstyret med gelænder (fås som tilbehør).
- Fold sideklapperne udad, før ryglænet hæves.



1. Placér sædet ② på bunden af det tomme badekar. Sørg for, at motorbefæstigelsen ③ vender imod den ende af badekarret, der er modsat afløbet ①.



2. Fold sideklapperne udad.



3. Placér ryglænet ① (uden håndbetjening) på sædet, så krogene ② på ryglænet passer i hængslerne ③ på sædepladen ④.

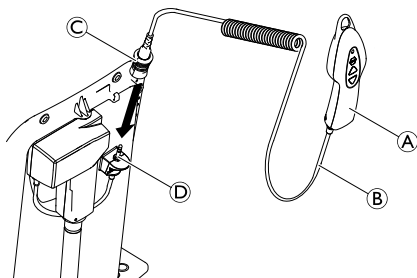


### VIGTIGT!

#### Risiko for produktskade

- Produktskade som følge af, at motoren glider ud.
- Kontrollér, om spindlen er kørt helt ind, og om motoren er lige og ikke drejet, før ryglænet klappes op.
  - Når ryglænet er foldet op, skal motoren sidde i sin holder.

- Tag fat i ryglænet på midten af den ende, hvor personens hoved er, og løft det forsigtigt op til slutpositionen.



- Forbind spiralkablets © stikindgang med frigørelsesbøsningen © til stikket © på håndbetjeningen ©, og kontrollér, at låsemekanismen er i indgreb.



#### VIGTIGT!

##### Risiko for produktskade

- Sørg for at ryglænet ikke berører kanten af badekarret.
- Flyt eventuelt badekarsliften længere frem i badekarret.

## 3.4 Opladning af batteriet

Badekarsliften kan ikke anvendes, mens batteriet oplades.



#### ADVARSEL!

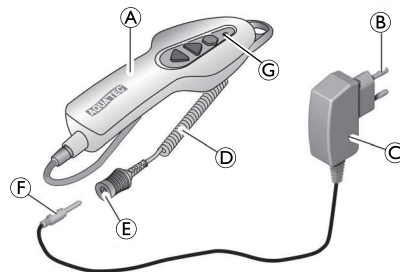
##### Risiko for elektrisk stød

- Genopladningen af batteriet må kun foretages i et tørt rum ved rumtemperatur (15 °C til 25 °C) og aldrig på badeværelset.



#### VIGTIGT!

- Anvend kun den medfølgende oplader til at oplade batteriet i håndbetjeningen.
- Slut kun opladeren til lysnettet, efter håndbetjeningen er tilsluttet opladeren.
- Sørg for, at opladerens og netforsyningens spændingsspecifikationer stemmer overens.



- Sæt opladerens © stik © i spiralkablets © stikindgang © på håndbetjeningen ©, og kontrollér, at den er i indgreb.
- Sæt opladerens netledning © i en stikkontakt.



Den røde indikatorlampe © på håndbetjeningen slukker, når batteriet er helt opladet. Det er ikke muligt at „overlade“ batteriet.



3. Træk stikket fra opladeren ud af stikkontakten.
4. Træk stikket fra opladeren ud af stikindgangen på håndbetjeningen.

## 4 Brug

### 4.1 Sikkerhedsoplysninger



#### FORSIGTIG!

Overbelastning af badekarsliften kan medføre produktskade eller -nedbrud.

- Undlad at overbelaste badekarsliften, og overhold specifikationerne om belastningsevne på typeskiltet og i afsnit 9.1 Mål og vægt, side 204



#### FORSIGTIG!

#### Fare for klemte fingre

- Stik aldrig fingrene ind i skinnen mellem sædepladen og ryglænet.
- Ræk ikke ind under sædepladen eller ind imellem løftesaksene.



#### VIGTIGT!

Der kan trænge fugt ind i en beskadiget håndbetjening, hvilket kan forårsage kortslutning og brand.

- Inspicer altid produktet visuelt for at afsløre udvendige skader før hver brug.
- Hvis håndbetjeningens hus er beskadiget eller har revner, må håndbetjeningen ikke bruges.
- Oplad batteriet helt før hver brug, 3.4 Opladning af batteriet, side 192

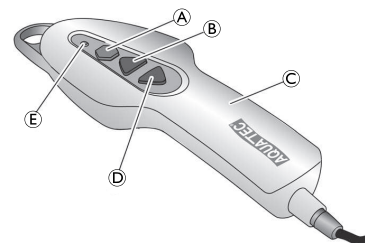
1. Læs om betingelserne for betjening i afsnit 9.4 Miljøparametre, side 205

### 4.2 Styring af badekarsliften

Badekarsliften kan flyttes i følgende retninger:



Badekarsliften styres ved hjælp af håndbetjeningen.



#### VIGTIGT!

#### Risiko for produktskader

- Håndbetjeningen må kun anvendes, hvis ryglænet er installeret korrekt og i lodret position.

**!** **VIGTIGT!**

Hvis batteriet i håndbetjeningen © ikke er opladet tilstrækkeligt, lyser den røde indikatorlampe ☹, mens der trykkes på ned-knappen ☹. I dette tilfælde er badekarliftens sænkefunktion deaktiveret. Det er dog stadig muligt at hæve liften.  
– Genoplad batteriet umiddelbart efter hævning.



Med et fuldt opladet batteri kan Orca og Orca F udføre fem badesekvenser med en belastning på 140 kg. Orca XL kan udføre fire badesekvenser med en belastning på 170 kg.

**Hævning af badekarliften****!** **VIGTIGT!**

Hvis ryglænet er sænket, bevæges det i lodret position først (undtagen på Orca F).

1. Hold op-knappen ☺ nede på håndbetjeningen. Ryglænet indstilles til lodret position, eller sædet bevæger sig opad.
2. Slip op-knappen på håndbetjeningen. Badekarliften standser i den aktuelle position.

**Sænkning af badekarliften****!** **VIGTIGT!**

Hvis sædet allerede er sænket, sænkes ryglænet bagud (undtagen på Orca F).

1. Hold ned-knappen ☹ nede på håndbetjeningen. Sædet bevæger sig nedad, eller ryglænet drejer bagud.
2. Slip ned-knappen på håndbetjeningen. Badekarliften standser i den aktuelle position.

**Nødstopknop****VIGTIGT!**

Tryk kun på nødstopknappen Ⓜ, hvis enheden ikke standser øjeblikkeligt, efter op- eller ned-knappen slippes (f.eks. hvis en knap sidder fast). Badekarliften standser øjeblikkeligt, og den røde indikatorlampe i håndbetjeningen lyser.

Hvis den røde indikatorlampe slukkes, efter nødstopknappen er sluppet, er fejlen udbedret (knappen slipper f.eks. igen). Enheden er igen klar til brug.

Hvis den røde indikatorlampe forbliver tændt, efter nødstopknappen er sluppet, er fejlen endnu ikke udbedret. Enheden er ikke klar til brug og skal serviceres for bl.a. at undgå elektroniskader.



Kontakt evt. forhandleren.

## 4.3 Bad



### ADVARSEL!

#### Risiko for at skride

Badekarsliften kan skride, hvis sugekopperne ikke har ordentlig fat.

- Sørg for, at badekarsliften er placeret stabilt og sikkert, inden den tages i brug.
- Sørg for, at badekarsliften er opsat i badekarret som beskrevet i afsnit 3.3 Opsætning af badekarsliften, side 189



### ADVARSEL!

- Produktet skal anvendes under opsyn, hvis personen ikke selv er i stand til at tage et bad.
- Hvis anordningen betjenes uden opsyn, skal du sørge for at have et alarmsystem eller en telefon inden for rækkevidde i tilfælde af uforudsete hændelser (f.eks. fejlfunktion).



### FORSIGTIG!

Badeolie og badesalt kan forringe saksearmenes effektivitet.

- Hvis disse badeprodukter anvendes, bør den anbefalede mængde aldrig overskrides.



### VIGTIGT!

- Kør den ubelastede lift helt op én gang og derefter helt ned (funktionstest).
- Kontrollér vandtemperaturen i badekarret, inden liften tages i brug.

1. Hold op-knappen **B** nede, indtil sædet er i samme højde som kanten af badekarret.
2. Sørg for, at sideklapperne flugter med sædet og hviler på kanten af badekarret.
3. Fyld badekarret med vand.
4. Sid på sideklappen tættest på dig, som du ville sidde i en stol.
5. Sørg for at sidde midt på sædet.
6. Drej dig selv i badeposition ved at løfte det ene ben og derefter det andet over kanten af badekarret.
7. Hold derefter ned-knappen **D** nede for at sænke sædet ned i vandet.



Ryglænet kan tippes tilbage, når sædet er i laveste position, ved at holde ned-knappen **D** nede. Dette giver en mere behagelig badeposition og giver personen mulighed for at komme længere ned under vandet (funktionen er ikke tilgængelig på Orca F).

8. Hold ned-knappen nede, indtil ryglænet har den ønskede position.



Følg ovennævnte trin i omvendt rækkefølge for at komme op af badekarret igen.

9. Hold op-knappen **B** nede for at hæve ryglænet eller badekarsliften, indtil ryglænet har den ønskede position.



### VIGTIGT!

- Tag stikket til håndbetjeningen ud af enheden, når badekarsliften ikke er i brug, se afsnit 5.2 Fjernelse af badekarsliften, side 197, trin 3.

## 5 Transport

### 5.1 Sikkerhedsoplysninger



#### FORSIGTIG!

Ryglænet er ikke fastgjort til sædet i sammenfoldet position og kan derfor skille ad.

- Fjern ikke sugekopperne, når badekarsliften transporteres.
- Fjern håndbetjeningen fra ryglænet før transport af badekarsliften.
- Se forhold i forbindelse med opbevaring og transport i afsnittet 9.4 Miljøparametre, side 205

1. Fjern håndbetjeningen.
2. Skil badekarsliften ad i to sektioner – sæde og ryglæn – før transport. Se afsnit 5.2 Fjernelse af badekarsliften, side 197.

### 5.2 Fjernelse af badekarsliften

1. Luk vandet ud af badekarret.
2. Sænk badekarsliften ved hjælp af knappen Ned, indtil ryglænet standser i sænket slutposition. Se afsnit 4.2 Styling af badekarsliften, side 194

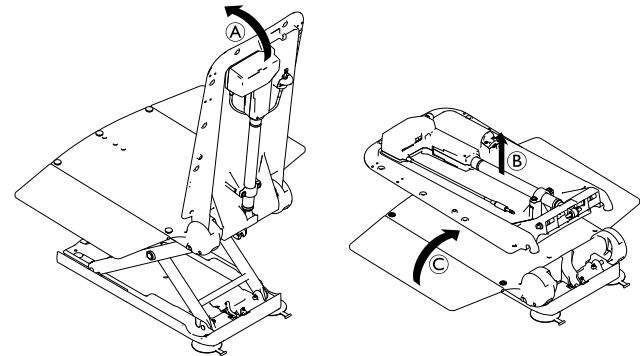
3. Frigør spiralkablets stik ved at trykke frigørelsesbøsningen opad og fjerne den fra stikket.



#### VIGTIGT!

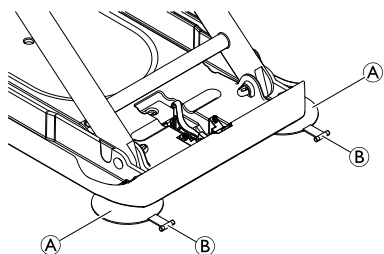
#### Risiko for produktskade

- Sørg for, at håndbetjeningens spiralkabel ikke kommer i klemme, når ryglænet foldes ned.
- Fold ikke ryglænet ned, hvis der er vand i badekarret.



4. Tag fat i ryglænet på midten af den ende, hvor personens hoved er, med den ene hånd, og fold det fremad i slutposition A.
5. Træk ryglænet op af sædet og op af badekarret B.

6. Fold sideklapperne indad ③.



**VIGTIGT!**

- Slip begge de bagerste sugeskopper samtidig.

7. Frigør den bagerste sugekop ① ved at trække dens laske op ②.
8. Løft bagenden af sædet yderligere. Dette får de forreste sugeskopper til at slippe.



**VIGTIGT!**

- Hvis højdeindstillingen er installeret (valgfrit), skal der trækkes i laskene på de forreste sugeskopper for at få sugeskopperne til at slippe.

9. Løft sædet op af badekarret.
10. Sørg for at opbevare alle badekarsliftens dele.

## 6 Vedligeholdelse

### 6.1 Vedligeholdelse og serviceeftersyn

Hvis rengørings- og sikkerhedsvejledning følges, er produktet vedligeholdelsesfrit.

#### ! VIGTIGT!

Håndbetjeningen må kun åbnes af producenten af badekarsliften.

1. Efterse produktet jævnligt for skader og for at sikre, at det er forsvarligt monteret.
2. I tilfælde af skader og/eller nødvendige reparationer skal du omgående kontakte forhandleren.
3. Badekarsliften skal altid efterses af en autoriseret forhandler før genbrug. Det anbefales senest at efterse badekarsliften efter 24 måneder (i henhold til EN ISO 10535).
4. Hvis badekarsliften ikke har været brugt i længere tid, skal batteriet oplades helt, og badekarsliften skal hæves og sænkes tre gange uden belastning. Denne procedure skal gentages én gang hver tredje måned. Dette er med til at forlænge batteriets servicelevetid.

### 6.2 Rengøring og desinfektion

Produktet kan rengøres og desinficeres med almindeligt tilgængelige rengøringsmidler.

1. Produktet desinficeres ved at aftørre alle generelt tilgængelige overflader med desinficerende middel (hvis det er muligt, bør produktet adskilles først).

#### ! VIGTIGT!

De anvendte rengørings- og desinfektionsmidler skal være effektive og kunne anvendes sammen, og de må ikke angribe de materialer, der rengøres.

- Læs mere om forurening i sundhedsmiljøer i retningslinjerne om infektionskontrol fra "The National Institute for Clinical Excellence" på [www.nice.org.uk/CG139](http://www.nice.org.uk/CG139) samt de lokale retningslinjer for infektionskontrol.
- Rengør produktet jævnlige med håndkraft.
- Brug ikke slibende rengøringsmidler.

#### Rengøring af sædet og ryglænet



#### FORSIGTIG!

##### Fare for at få fingrene i klemme

– Vær særlig omhyggelig ved rengøring i området omkring løftesaksen, da den kan bevæge sig og medføre personskade.




#### VIGTIGT!

##### Risiko for beskadigelse

– Brug aldrig en højtryksrenser til rengøring af ryglænet.

1. Vask produktet med en klud eller en børste.
2. Skyl produktet med varmt vand.
3. Tør produktet med en klud.
4. Smør styreskinne til glideskoene (Fig. Ⓜ, afsnit 3.1) let med vaseline.

## Rengøring af polstringen (valgfrit)

 Det anbefales at vaske polstringen før første ibrugtagning. Af hygiejniske årsager anbefales det at vaske polstringen regelmæssigt og udskifte den en gang om året.

1. Knap polstringen af sædet og ryglænet.
2. Vask polstringen i vaskemaskinen ved maks. 60 °C med et mildt vaskemiddel.



### **VIGTIGT!**

#### **Risiko for beskadigelse**

- Vask ved høje temperaturer kan medføre krympning.
- Polstringen må ikke tørres i tørretumbler.

## Rengøring af opladeren og håndbetjeningen



### **ADVARSEL!**

#### **Risiko for elektrisk stød**

- Tag altid stikket ud af stikkontakten, før opladeren rengøres.
- Stik aldrig genstande, der er fremstillet af ledende materiale, f.eks. strikkepinde og metalstifter, ind i håndbetjeningens jack-hunстик.
- Brug aldrig en våd eller fugtig klud til rengøring af opladeren.

1. Opladeren må kun rengøres med en tør klud.
2. Aftør håndbetjeningen med en fugtig klud, og tør efter med en tør klud.



## 7 Efter brug

### 7.1 Opbevaring



#### VIGTIGT!

#### Risiko for produktskade

- Opbevar ikke produktet i nærheden af varmekilder.
- Udsæt ikke produktet for direkte sollys.
- Se forhold i forbindelse med opbevaring og transport i afsnittet 9.4 Miljøparametre, side 205

### 7.2 Fornyet brug

Produktet er egnet til gentagen brug. Hvor mange gange, det kan bruges, afhænger af, hvor ofte og på hvilken måde produktet anvendes. Før gentagen brug bør produktet rengøres (→ 6.2 Rengøring og desinfektion, side 199) og kontrolleres for at sikre, at det fungerer og er sikkert at anvende. Servicér om nødvendigt produktet.

### 7.3 Bortskaffelse

Bortskaffelse og genbrug af brugte produkter og emballage skal ske i overensstemmelse med den gældende lovgivning.



#### ADVARSEL!

- Håndbetjeningen må aldrig afbrændes eller opbevares i nærheden af åben ild.

Pligt til at oplyse i henhold til det tyske batteridirektiv BattG:

Dette produkt indeholder et genopladeligt litium-ion-batteri. Afladede batterier eller batterier, som ikke længere kan oplades, må ikke bortskaffes med almindeligt husholdningsaffald. Gamle batterier kan indeholde farlige stoffer, som kan være både sundheds- og miljøskadelige.

Sådanne batterier skal bortskaffes på genbrugsstationer eller ved returnering til forhandleren, hvilket er gratis og påkrævet ifølge lovgivningen.

Smid venligst kun kasserede batterier i de dertilhørende beholdere, og sørg for at afdække polerne på litiumbatterier.

## 8 Fejlfinding

### 8.1 Fejlfinding og afhjælpning af fejl



Nedenstående tabel indeholder oplysninger om fejl og mulige årsager til fejlene. Hvis du ikke kan afhjælpe fejlen med de angivne forslag til afhjælpning, skal du kontakte forhandleren direkte.

Fejl	Mulig årsag	Afhjælpningsmetode
Ingen motorstøj/liften kan ikke bevæges.	Stikindgangen på håndbetjeningen er ikke ordentlig låst.	Lås stikindgangen, → 3.3 Opsætning af badekarsliften, side 189 trin 5).
	Batteriet er afladet.	Oplad batteriet helt, → 3.4 Opladning af batteriet, side 192
	Kontaktfladerne er beskidte.	Rengør jackstikket på ryglænet, → kontakt evt. forhandleren.
	Kablet er knust/beskadiget.	Udskift håndbetjeningen, → kontakt evt. forhandleren.
Liften kan hæves, men ikke sænkes.	Lavspændingsbeskyttelse er aktiveret.	Oplad batteriet helt, → 3.4 Opladning af batteriet, side 192
Liften standser under hævnning.	For stor belastning.	Overhold den maksimale belastning, → 9.1 Mål og vægt, side 204
Badekarsliften er ikke ordentlig fastgjort i badekarret.	Sugekopperne er for gamle eller beskadigede.	Udskift sugekopperne, → kontakt evt. forhandleren.
Batteriet kan ikke oplades, og den røde indikatorlampe blinker under opladning.	Fejl i elektronikken.	Bed forhandleren om at kontrollere håndbetjeningen.
	Defekt batteri.	Udskift håndbetjeningen.

<b>Fejl</b>	<b>Mulig årsag</b>	<b>Afhjælpningsmetode</b>
	Defekt oplader.	Bed forhandleren om at kontrollere opladeren.
	Batteriet er for varmt.	Oplad ikke håndbetjeningen i nærheden af varmekilder, f.eks. varmeelementer, eller i direkte sollys. Opladning fortsætter automatisk, så snart temperaturen falder til et acceptabelt niveau.

## 9 Tekniske data

### 9.1 Mål og vægt

Samlet længde ved laveste position	920 mm
Samlet længde ved højeste position	650 mm
Samlet højde ved højeste position	1075 mm
Sædelængde	590 mm
Sædebredde med sideklapperne foldet ud	715 mm
Sædebredde med sideklapperne foldet ind	390 mm
Sædehøjde ved laveste position	60 mm
Sædehøjde ved højeste position	420 mm
Ryglænets bredde	360 mm
Ryglænets minimumsvinkel	8°
Bundpladens bredde	295 mm
Maks. belastning (ORCA / ORCA F) Maks. belastning (ORCA XL)	140 kg 170 kg
Samlet vægt uden håndbetjening (ORCA) (ORCA F) (ORCA XL)	10,8 kg 11,4 kg 11,6 kg
Sædets vægt (ORCA) (ORCA F) (ORCA XL)	6,6 kg 7,2 kg 7,4 kg
Ryglænets vægt (ORCA / ORCA F / ORCA XL)	4,2 kg

Håndbetjeningens vægt	0,4 kg
Opladerens vægt	0,1 kg

### 9.2 Elektroniske data

Nødvendig trykkraft til håndbetjeningens knapper	< 5 N
Håndbetjeningens driftsspænding <sup>1)</sup>	10,8 V DC / 14 V DC
Nominel indgangseffekt <sup>1)</sup>	43 VA / 56 VA
Nominel strøm	4 A
Batteritype	Litium-ion
Opladerindgang	100 - 240 V AC, 50 - 60 Hz
Opladerudgang	24 V DC, 135 mA, 3 VA
Opladningstid fra advarsel om lavt batteriniveau	ca. 4,5 timer
Beskyttelsestype, motor	IP X6 W <sup>2)</sup>
Beskyttelsestype, håndbetjening	IP 67 <sup>3)</sup>
Beskyttelsestype, hele enheden	IP X6 <sup>4)</sup>
Lydstyrke	52 dB(A)

<sup>1)</sup> 10,8 V DC / 43 VA gyldig ved brug af håndbetjeninger med 10,8 V spænding (anført på bagsiden af håndbetjeningen).

14 V DC / 56 VA gyldig ved brug af håndbetjeninger med 14 V spænding (anført på bagsiden af håndbetjeningen).

2) Beskyttet mod vandindtrængning i form af stråler og testet under særlige vejrforhold.

3) Støvtæt og beskyttet mod vandindtrængning ved midlertidig neddykning.

4) Beskyttet mod vandgennemtrængning i form af stråler.

### 9.3 Materialer

Ryglæn	PPGF
Sædeplade	PPGF
Polstring	PVC



Alle de anvendte materialer er rustbeskyttede og latexfrie.

### 9.4 Miljøparametre

<b>Driftsforhold</b>	
Omgivende temperatur	10-40 °C
Relativ luftfugtighed	15 %-93 %, ikke-kondenserende
Atmosfærisk tryk	795-1060 hPa
<b>Forhold i forbindelse med opbevaring og transport</b>	
Omgivende temperatur	0-40 °C

Relativ luftfugtighed	30 %-75 %, uden kondens
Atmosfærisk tryk	795-1060 hPa



---

# Innholdsfortegnelse

---

Denne veiledningen skal overleveres til sluttbrukeren. Les denne veiledningen FØR du bruker produktet, og behold den for fremtidig referanse.

<b>1</b>	<b>Generell informasjon</b>	<b>.208</b>
1.1	Generell informasjon	.208
1.2	Symboler i denne bruksanvisningen	.208
1.3	Garanti	.208
1.4	Samsvar	.208
1.5	Bruksområde	.209
1.6	Levetid	.209
<b>2</b>	<b>Sikkerhet</b>	<b>.210</b>
2.1	Sikkerhetsinformasjon	.210
2.2	Sikkerhetsinformasjon om elektromagnetisk kompatibilitet	.210
2.3	Merking og symboler på produktet	.211
<b>3</b>	<b>Montering</b>	<b>.213</b>
3.1	Sikkerhetsinformasjon	.213
3.2	Leveringsomfang	.213
3.3	Montere badekarløfteren	.214
3.4	Lade batteriet	.217
<b>4</b>	<b>Bruk</b>	<b>.219</b>
4.1	Sikkerhetsinformasjon	.219
4.2	Styre badekarløfteren	.219
4.3	Bading	.221
<b>5</b>	<b>Transport</b>	<b>.223</b>
5.1	Sikkerhetsinformasjon	.223
5.2	Fjerne badekarløfteren	.223
<b>6</b>	<b>Vedlikehold</b>	<b>.225</b>
6.1	Vedlikehold og service	.225
6.2	Rengjøring og desinfisering	.225

<b>7</b>	<b>Etter bruk</b>	<b>.227</b>
7.1	Oppbevaring	.227
7.2	Gjenbruk	.227
7.3	Avfallshåndtering	.227
<b>8</b>	<b>Feilsøking</b>	<b>.228</b>
8.1	Avdekke og reparere feil	.228
<b>9</b>	<b>Tekniske data</b>	<b>.230</b>
9.1	Dimensjoner og vekt	.230
9.2	Elektroniske data	.230
9.3	Materialer	.231
9.4	Miljøparametere	.231

# 1 Generell informasjon

## 1.1 Generell informasjon

Denne bruksanvisningen inneholder viktig informasjon om hvordan du håndterer produktet. Les bruksanvisningen nøye og følg sikkerhetsinstruksjonene i den, slik at du kan bruke produktet på en trygg måte. Henvisningene til posisjoner (A, B, C osv.) i bruksanvisningen referer alltid til den foregående illustrasjonen.

## 1.2 Symboler i denne bruksanvisningen

Advarslene i denne bruksanvisningen er angitt med symboler. Tittelen ved siden av advarselsymbolene angir alvorlighetsgraden.



### ADVARSEL

Angir en potensielt farlig situasjon som, hvis man ikke unngår den, kan føre til død eller alvorlig personskade.



### FORSIKTIG

Angir en farlig situasjon som, hvis man ikke unngår den, kan føre til lettere personskade.



### VIKTIG

Angir en farlig situasjon som, hvis man ikke unngår den, kan føre til skade.



Nyttige tips, anbefalinger og opplysninger for effektiv og problemfri bruk.



Dette produktet er i samsvar med EU-direktivet 93/42/EØF om medisinsk utstyr. Lanseringsdatoen for dette produktet er oppgitt i CE-samsvarserklæringen.



Produsent

## 1.3 Garanti

Vi gir alltid en produsentgaranti for produktet i samsvar med våre retningslinjer for forretningsdrift i det aktuelle landet. Garantikrav kan bare rettes gjennom den aktuelle leverandøren av produktet.

Trekk og sugekopper dekkes ikke av garantien.

## 1.4 Samsvar

Vårt selskap setter kvalitet i høysetet. Alle prosesser utføres i samsvar med standardene ISO 9001 og ISO 13485.

Dette produktet er CE-merket i samsvar med EU-direktivet 93/42/EØF om medisinsk utstyr, klasse 1.

Produktet oppfyller kravene i standardene ISO EN 14971 (Medisinsk utstyr – Bruk av risikostyring for medisinsk utstyr) og EN ISO 10535 (Personløftere til forflytning av funksjonshemmede - Krav og prøvingsmetoder).

Badekarheisens løftekapasitet er 1,5 gang så stor som den angitte maksimalbelastningen.

Invacare® arbeider kontinuerlig for å sikre at selskapets miljøpåvirkning, lokalt og globalt, reduseres til et minimum.



- Vi overholder gjeldende miljølovgivning (f.eks. WEEE- og RoHS-direktivene).
- Vi bruker kun materialer og komponenter som er i samsvar med REACH-forskriftene.

Dersom du ønsker ytterligere informasjon, kan du kontakte Invacare i landet ditt (kontaktadressen står på baksiden av denne håndboken).

## 1.5 Bruksområde

En badekarheis gjør det mulig for brukeren å komme seg ned i og ut av badekaret. Den skal kun brukes som hjelpemiddel ved bading for personer med redusert førlighet. All annen bruk er forbudt.

### Indikasjoner

- Betydelig nedsatt funksjon / manglende funksjon i lemmene på overkroppen og/eller underkroppen (f.eks. på grunn av amputasjon, lammelse, leddsykdommer, nevromuskulære sykdommer som svekker lemmene) som medfører at brukeren ikke lenger kan komme seg ned i eller opp av badekaret på egen hånd. Brukeren må allikevel ha tilstrekkelig kontroll over overkroppen og grunnleggende funksjonalitet i lemmene.
- Kroniske følger av sykdom med funksjonsbegrensninger som rammer lemmene på over- og/eller underkroppen og medfører at brukeren ikke lenger kan bade på egen hånd, eller der brukeren i stor grad kan bade på egen hånd ved hjelp av en badekarheis, mens andre hjelpemidler for bading ikke er tilstrekkelige.

### Kontraindikasjoner

Ved riktig bruk finnes det ingen kontraindikasjoner.

## 1.6 Levetid

Forventet levetid er fem år når produktet brukes daglig og i samsvar med anvisningene i denne bruksanvisningen om sikkerhet, vedlikehold og beregnet bruk.

## 2 Sikkerhet

### 2.1 Sikkerhetsinformasjon



#### ADVARSEL!

- Du må ikke bruke dette produktet eller annet tilgjengelig ekstrautstyr hvis du ikke først har lest og forstått disse instruksjonene og eventuelt tilleggsmateriale, for eksempel bruksanvisninger, servicehåndbøker eller instruksjonsdokumenter som følger med dette produktet eller ekstrautstyr. Veiledninger for Invacare-produkter er tilgjengelige på Internett eller fra din lokale forhandler (kontaktadresser står på baksiden av denne veiledningen).
- Hvis du har vanskeligheter med å forstå advarslene, forholdsreglene eller instruksjonene, må du ta kontakt med kvalifisert helsepersonell, en forhandler eller teknisk personell før du bruker dette utstyret. Hvis du ikke overholder dette, kan det oppstå personskade eller skade på utstyret.



#### ADVARSEL!

##### Skaderisiko

- Bruk ikke produktet hvis det er skadet.
- Dersom det oppstår en feil, må du kontakte en forhandler umiddelbart.
- Ikke utfør noen endringer på produktet uten tillatelse.
- Bruk bare reservedeler som er beregnet på dette produktet.



#### ADVARSEL!

##### Skaderisiko

- Stå aldri på badekarheisen når du skal opp i eller ut av badekaret. Ikke bruk den til å klatre opp eller ned, som løfteplattform eller til lignende formål.



#### VIKTIG!

- Informasjonen i dette dokumentet kan endres uten varsel.
- Kontroller at INGEN av delene er skadet under frakt, og test utstyret før bruk.

### 2.2 Sikkerhetsinformasjon om elektromagnetisk kompatibilitet

Dette produktet har blitt testet i henhold til internasjonale standarder for elektromagnetisk kompatibilitet. Elektromagnetiske felter, f.eks. fra radio- og tv-apparater, radioutstyr og mobiltelefoner, kan imidlertid påvirke elektrisk drevne produkter. Elektronikken som brukes i dette produktet, kan også forårsake svake elektromagnetiske forstyrrelser, men disse ligger under grenseverdiene fastsatt i forskrift. Du bør derfor overholde følgende advarsler:

**FORSIKTIG!****Elektromagnetiske forstyrrelser**

Trådløst kommunikasjonsutstyr som rutere for trådløse hjemmenettverk, mobiltelefoner, trådløse telefoner med basestasjoner og walkie-talkier kan påvirke dette utstyret.

- Sørg for at avstanden mellom slike enheter og badekarheisen er minst 2 m.

**FORSIKTIG!****Elektromagnetiske forstyrrelser**

Elektromagnetiske forstyrrelser kan føre til at produktet brått stopper eller (svært lite sannsynlig) begynner å bevege seg av seg selv.

- Slå av det eksterne utstyret og/eller Invacare®-produktet dersom du merker slik atferd.
- Dersom annet elektrisk drevet medisinsk utstyr forårsaker støy eller selv blir forstyrret, skal du slå av Invacare®-produktet og kontakte forhandleren.

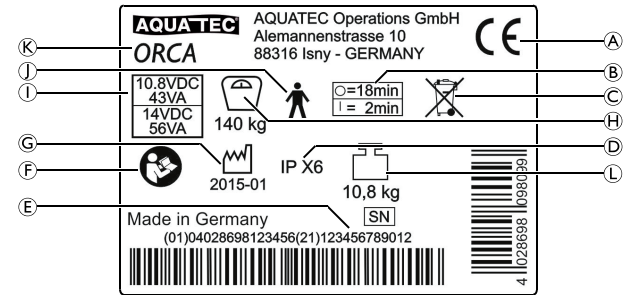


En veiledning og produsenterklæring angående elektromagnetisk stråling og immunitet er tilgjengelig på forespørsel fra Invacare® i landet ditt.

## 2.3 Merking og symboler på produktet

### Identifikasjonsmerke

Identifikasjonsmerket inneholder også viktig teknisk informasjon:



(A)	Samsvarsmerke
(B)	Driftssyklus (2 min/18 min)
(C)	Merknad (avfallshåndtering)
(D)	Beskyttelsesklasse
(E)	Enhetens serienummer
(F)	Merknad (les medfølgende dokumenter)
(G)	Produksjonsperiode
(H)	Lastekapasitet
(I)	Nominell nettspenning / nominell inngangseffekt, se avsnitt 9.2 Elektroniske data, side 230
(J)	Type B anvendt del
(K)	Enhetsbetegnelse
(L)	Produktvekt



Identifikasjonsetiketten er plassert på baksiden av ryggstøtten.

## 3 Montering

### 3.1 Sikkerhetsinformasjon



#### VIKTIG!

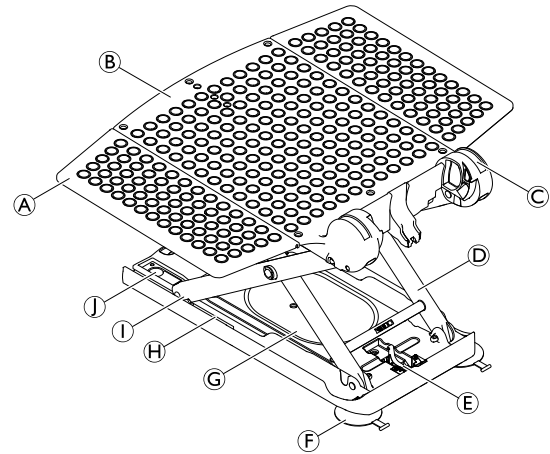
- Før du tar i bruk produktet, må du kontrollere at delene ikke har blitt skadet under transport. Kontakt om nødvendig forhandleren.
- Sørg for at dusj- og toalettstolens enkelte deler settes sammen på korrekt måte.
- Vi anbefaler at trekk vaskes før de tas i bruk første gang, se kapittel 6.2 Rengjøring og desinfisering, side 225

### 3.2 Leveringsomfang

Denne bruksanvisningen gjelder for modellene ORCA, ORCA F og ORCA XL. Disse modellene varierer i vekt og maksimal brukervekt. Se avsnitt 9.1 Dimensjoner og vekt, side 230. Setetrekk og ryggtrekk er ekstrautstyr som kan kjøpes separat til alle de tre modellene. Ryggen kan ikke senkes på modellen ORCA F.

Produktet leveres med følgende deler:

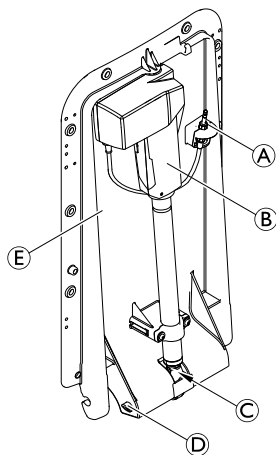
### Sete



(A)	Sideklaff
(B)	Seteplate
(C)	Hengsel for ryggstøtte
(D)	Hevekryss
(E)	Spindelfotholder
(F)	Sugekopper bak (dobbel lask med gjenger)
(G)	Grunnplate
(H)	Føring for glidesko

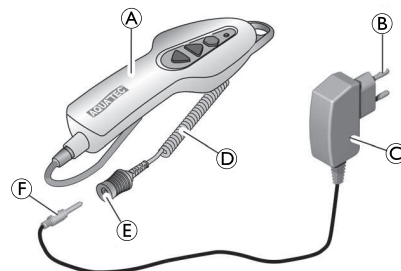
①	Glidesko
①	Sugekopper foran (enkel lask med hode)

### Ryggstøtte



Ⓐ	Jakkplugg
Ⓑ	Drev
Ⓒ	Spindelfot
Ⓓ	Låsestift
Ⓔ	Plate, ryggstøtte

### Manuell betjeningsenhet og lader



Ⓐ	Manuell betjeningsenhet med batteri
Ⓑ	Støpsel
Ⓒ	Lader
Ⓓ	Spiralkabel for manuell betjeningsenhet
Ⓔ	Jakkontakt på manuell betjeningsenhet
Ⓕ	Jakkplugg på lader

### 3.3 Montere badekarløfteren



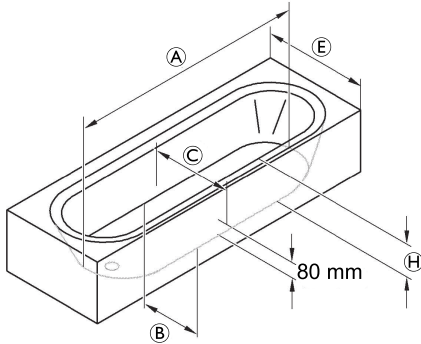
#### ADVARSEL! Sklifare

Badekarløfteren kan gli hvis sugekoppene ikke er godt nok festet.

- Rengjør badekaret og sugekoppene med en fuktig klut før du monterer badekarheisen.
- Ikke endre badekarløfterens plassering i badekaret etter at den er montert.

**ADVARSEL!****Fare for personskade og skade på materiell**

- Badekarløfteren skal kun monteres i badekar med de samme spesifikasjonene som i tabellen nedenfor.
- Hvis badekaret er utstyrt med en overløpsventil på siden, brukes spesialsideklaffene (tilgjengelige som ekstrautstyr).

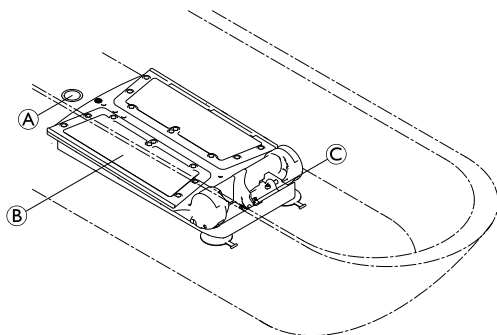


Ⓐ	Karlengde nede	≥ 800 mm
Ⓑ	Karbredde nede (innvendig)	280 - 600 mm
Ⓒ	Karbredde i 80 mm høyde (innvendig)	≥ 430 mm

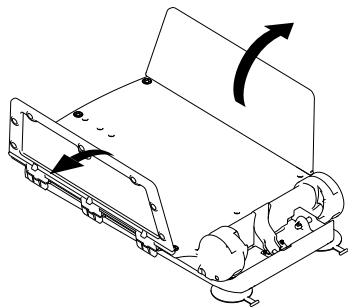
Ⓔ	Karbredde (utvendig)	580 - 690 mm (med spesialsideklaffer) 700 - 740 mm (med standardsideklaffer) 750 - 1000 mm (med spesialsideklaffer)
Ⓕ	Karhøyde (innvendig)	≤ 420 mm (med høydejusterer maks. +60 mm)

**VIKTIG!**

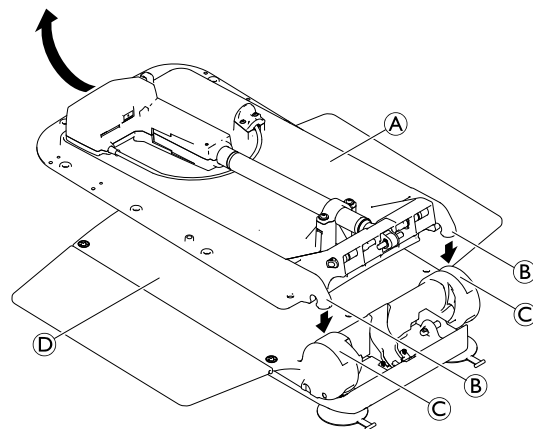
- Kontroller at sugekoppene er montert.
- Kontroller at batteriet i den manuelle betjeningsenheten er ladet.
- Kontroller at spindelfoten er satt ordentlig på plass.
- Når komponentene i badekarheisen løftes, må du huske å vurdere vekten korrekt. Se avsnitt 9.1 Dimensjoner og vekt, side 230
- Hvis badekaret har rekkverk, må sideklaffavlederne benyttes (tilgjengelige som ekstrautstyr).
- Slå ut sideklaffene før ryggstøtten heves.



1. Plasser setet ② i bunnen av det tomme badekaret. Kontroller at spindelfotholderen ③ er vendt mot den enden av badekaret som ligger på motsatt side av avløpet ①.



2. Slå ut sideklaffene på setet.



3. Plasser ryggstøtten ① (uten den manuelle betjeningsenheten) på setet slik at krokene ② på ryggstøtten passer inn i hengslene ③ på seteplaten ④.



### VIKTIG!

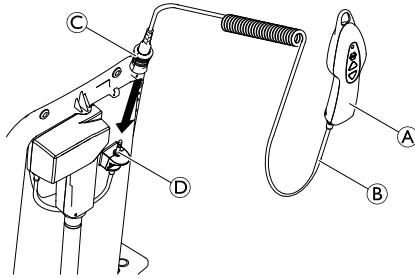
#### Fare for skade

Skade på produktet forårsaket av at spindelfoten glir ut.

- Kontroller at spindelen er trukket helt tilbake og at spindelfoten er stabil og ikke vridd, før du legger sammen ryggstøt.
- Når ryggstøtten er slått opp, kontroller at spindelfoten er plassert i spindelfotholderen.



4. Hold ryggstøtten i midten av hodeenden og løft den forsiktig i endeosisjon.



5. Stikk jakkpluggen (D) inn i kontakten med frigjøringshylse (C) på spiralkabelen (B) til den manuelle betjeningsenheten (A), til låsemekanismen går i inngrep.



#### VIKTIG!

##### Fare for skade

- Pass på at ryggen på heisen ikke berører kanten på badekaret.
- Plasser om nødvendig badekarheisen lenger fram i badekaret.

### 3.4 Lade batteriet

Badekarløfteren kan ikke brukes når batteriet lades.



#### ADVARSEL!

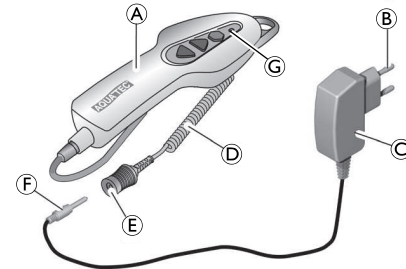
##### Fare for elektrisk støt

- Batteriet skal kun lades i tørre omgivelser ved romtemperatur (15 °C til 25 °C) og aldri på badet.



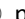
#### VIKTIG!

- Bruk kun den medfølgende laderen til å lade batteriet i den manuelle betjeningsenheten.
- Den manuelle betjeningsenheten må være koblet til laderen før laderen kobles til strømmettet.
- Kontroller at spesifikasjonene for nettspenning som vises på laderen, samsvarer med det aktuelle strømnettet.



1. Sett jakkpluggen (F) på laderen (C) inn i kontakten (E) på spiralkabelen (D) på den manuelle betjeningsenheten (A), og påse at den sitter fast.
2. Koble støpselet (B) på laderen til et strømmuttak.



Den røde indikatorlampen  på den manuelle betjeningsenheten slukkes når batteriet er fulladet. Det er ikke mulig å „overlade“ batteriet.

3. Koble laderen fra strømuttaket.
4. Dra jakkpluggen på laderen ut av kontakten på den manuelle betjeningsenheten.

## 4 Bruk

### 4.1 Sikkerhetsinformasjon



#### FORSIKTIG!

Hvis badekarløfteren overbelastes, kan dette forårsake skade på enheten eller forhindre løfting.

- Påse at badekarløfteren ikke overbelastes, og ta hensyn til spesifikasjonene på identifikasjonsetiketten og i kapittel 9.1 Dimensjoner og vekt, side 230 når det gjelder lastekapasitet.



#### FORSIKTIG!

#### Klemfare

- Ikke plasser fingrene i føringen mellom seteplaten og ryggstøtten.
- Ikke stikk hendene inn under seteplaten eller inn i løftemekanismen.



#### VIKTIG!

Fukt kan trenge inn i en skadet håndkontroll, noe som kan føre til kortslutning og brann.

- Før du bruker produktet, må du alltid sjekke at det ikke har utvendige skader.
- Hvis huset til håndkontrollen er skadet eller har sprekker, må du ikke bruke håndkontrollen.
- Lad alltid batteriet helt opp før bruk, 3.4 Lade batteriet, side 217.

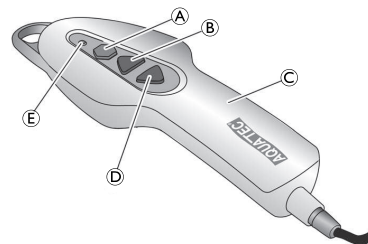
1. Se driftsforhold i avsnittet 9.4 Miljøparametere, side 231

### 4.2 Styre badekarløfteren

Badekarløfteren kan beveges i følgende retninger:



Badekarløfteren styres via den manuelle betjeningsenheten.



#### VIKTIG!

#### Fare for skade

- Den manuelle betjeningsenheten kan kun brukes når ryggstøtten er ordentlig installert og i loddrett stilling.



### VIKTIG!

Hvis batteriet i den manuelle betjeningsenheten © ikke er tilstrekkelig ladet, lyser den røde indikatorlampen ⑤ rødt når du trykker på Ned-knappen ②. Det vil si at badekarløfterens nedsenkingsfunksjon er deaktivert. Du kan imidlertid fremdeles heve løfteren.  
– Lad batteriet umiddelbart etter at du har hevet løfteren.



Når batteriet er fulladet, kan Orca og Orca F utføre 5 badeoperasjoner med en belastning på 140 kg. Orca XL kan utføre 4 badeoperasjoner med en belastning på 170 kg.

### Heve badekarløfteren



### VIKTIG!

Hvis ryggstøtten senkes, vil den først bevege seg i loddrett stilling (ikke på Orca F-modellen).

1. Trykk på Opp-knappen ③ på den manuelle betjeningsenheten, og hold den inne. Ryggstøtten rettes opp eller setet beveges oppover.
2. Slipp Opp-knappen på den manuelle betjeningsenheten. Badekarløfteren stanser i denne posisjonen.

### Senke badekarløfteren



### VIKTIG!

Hvis setet er senket allerede, senkes ryggstøtten bakover (ikke på Orca F-modellen).

1. Trykk på Ned-knappen ② på den manuelle betjeningsenheten, og hold den inne. Setet beveger seg nedover eller ryggstøtten dreier bakover.
2. Slipp Ned-knappen på den manuelle betjeningsenheten. Badekarløfteren stanser i denne posisjonen.

### Nødstoppbryter



### VIKTIG!

Nødstoppknappen ④ skal kun trykkes inn hvis enheten ikke stopper umiddelbart når Opp- eller Ned-knappen frigjøres (f.eks. hvis en knapp setter seg fast). Badekarløfteren slutter umiddelbart å bevege seg, og det røde lyset på den manuelle betjeningsenheten lyser.

Hvis den røde indikatorlampen slukkes når du slipper nødstoppbryteren, er feilen rettet opp (f.eks. knappen er frigjort igjen). Enheten er igjen klar for bruk.

Hvis den røde indikatorlampen fremdeles lyser når du slipper nødstoppknappen, er feilen ikke rettet opp enda. Enheten er ikke klar for bruk og må repareres, f.eks. dersom elektronikken er skadet.



Ta om nødvendig kontakt med forhandleren.

### 4.3 Bading



#### ADVARSEL! Sklifare

Badekarløfteren kan gli hvis sugekoppene ikke er godt nok festet.

- Kontroller at badekarløfteren sitter godt fast og at den ikke kan velte.
- Kontroller at badekarløfteren er montert i badekaret som beskrevet i kapittel 3.3 Montere badekarløfteren, side 214



#### ADVARSEL!

- Hvis din tilstand tilsier at du ikke kan bade alene, må du kun bruke badekarløfteren under tilsyn.
- Hvis du bruker utstyret uten tilsyn, må du sørge for å ha et alarmsystem eller en telefon innen rekkevidde i tilfelle noe uforutsett skulle skje (f.eks. at utstyret svikter).



#### FORSIKTIG!

Bruk av badeoljer eller badesalt kan føre til at hevekrysset ikke fungerer optimalt.

- Ved bruk av denne typen tilsetninger i badet, må anbefalt dosering ikke overskrides.



#### VIKTIG!

- Kjør badekarløfteren uten belastning én gang helt opp, og deretter helt ned igjen (funksjonstest).
- Kontroller temperaturen på badevannet før bruk.

1. Trykk og hold inne Opp-knappen **Ⓑ** til setet er på nivå med kanten av badekaret.
2. Pass på at sideklaffene er på nivå med setet, og hvilere flatt på kanten av badekaret.
3. Fyll karet med vann.
4. Sitt på sideklaffen nærmest deg, på samme måte som på en stol.
5. Skyv deg selv bakover til du sitter midt på setet.
6. Vri deg over i badestilling, ved å løfte først én fot og deretter den andre over kanten på badekaret.
7. Når du sitter i riktig stilling, trykker du på Ned-knappen **Ⓓ** og holder den inne for å senke setet ned i badekaret.
  - i** Når setet har nådd laveste stilling, kan du ved å holde inne Ned-knappen **Ⓓ** legge ryggstøtten bakover. Da får du en mer komfortabel badestilling, og kommer lenger ned i badevannet (ikke på Orca F-modellen).
8. Hold Ned-knappen inne til ryggstøtten har nådd ønsket posisjon.
  - i** Når du skal ut av badekaret igjen, følger du disse trinnene i motsatt rekkefølge.
9. Du kan heve ryggstøtten eller badekarløfteren ved å trykke på Oppknappen **Ⓑ** og holde den inne til ønsket posisjon er nådd.



**VIKTIG!**

- Koble håndkontrollen fra enheten når badekarheisen ikke er i bruk, se avsnittet 5.2 Fjerne badekarløfteren, side 223 trinn 3.

## 5 Transport

### 5.1 Sikkerhetsinformasjon



#### FORSIKTIG!

Ryggstøtten er ikke låst fast til setet når den slås sammen, og kan falle av.

- Ikke fjern sugekoppene under transport av badekarløfteren.
- Fjern den manuelle betjeningsenheten fra ryggstøtten under transport.
- Se betingelsene for oppbevaring og transport i avsnittet 9.4 Miljøparametere, side 231

1. Fjern den manuelle betjeningsenheten.
2. Demonter badekarløfteren i to deler for transport (sete og ryggstøtte). Se kapittel 5.2 Fjerne badekarløfteren, side 223

### 5.2 Fjerne badekarløfteren

1. Tapp vannet ut av badekaret.
2. Senk badekarløfteren ved å bruke Ned-knappen til ryggstøtten stopper i nedre endeposisjon. Se kapittel 4.2 Styre badekarløfteren, side 219

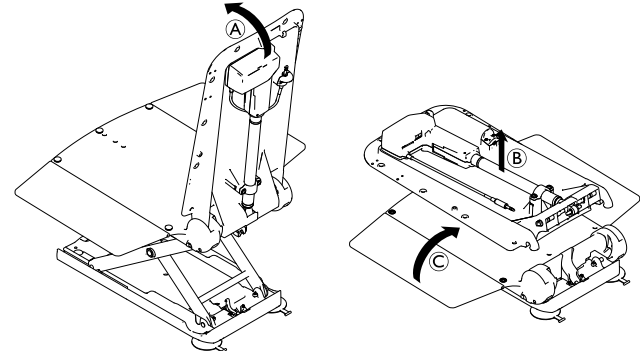
3. Frigjør kontakten på spiralkabelen til den manuelle betjeningsenheten ved å skyve opp frigjøringshylsen og trekke den av jakkpluggen.



#### VIKTIG!

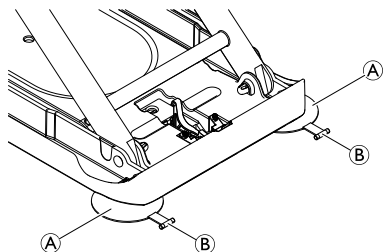
##### Fare for skade

- Når ryggstøtten slås ned, kontroller at spiralkabelen til den manuelle betjeningsenheten ikke kommer i klem.
- Ikke slå ned ryggstøtten hvis det er vann i badekaret.



4. Hold ryggstøtten i hodeenden med én hånd, og fold den forover til endeposisjonen **A**.
5. Dra ryggstøtten opp fra setet og ut av badekaret **B**.

6. Slå inn sideklaffene på setet ©.



**VIKTIG!**

- Frigjør begge de bakre sugekoppene samtidig.

7. Frigjør sugekoppen på baksiden ① ved å trekke tappen ② oppover.
8. Løft bakenden av setet enda litt opp. Da løsner de fremre sugekoppene.



**VIKTIG!**

- Hvis det er installert høydejusteringsenheter (valgfritt), må du også dra i tappene på sugekoppene foran for å frigjøre dem.

9. Løft setet ut av badekaret.
10. Oppbevar alle komponentene i badekarløfteren på et egnet sted.



## 6 Vedlikehold

### 6.1 Vedlikehold og service

Dersom du følger rengjørings- og sikkerhetsanvisningene, vil produktet være vedlikeholdsfritt.



#### VIKTIG!

Håndkontrollen kan bare åpnes av produsenten av badekarheisen.

1. Kontroller regelmessig at produktet er uten skader, og at alle deler er festet slik de skal.
2. Dersom det oppstår skader eller reparasjonsbehov, må du kontakte forhandleren umiddelbart.
3. Badekarheisen skal kontrolleres av en autorisert forhandler før den går over til en ny bruker. Vi anbefaler at badekarheisen kontrolleres når det har gått senest 24 måneder (i samsvar med EN ISO 10535).
4. Dersom badekarheisen står ubrukt en lengre periode, må batteriet lades helt opp, og badekarheisen må heves og senkes 3 ganger uten last. Gjenta denne prosedyren hver 3. måned. Denne prosedyren bidrar til å opprettholde batteriets levetid.

### 6.2 Rengjøring og desinfisering

Produktet kan rengjøres og desinfiseres ved hjelp av kommersielt tilgjengelige rengjørings- og desinfeksjonsmidler.

1. Desinfiser produktet ved å tørke over alle tilgjengelige overflater med et desinfeksjonsmiddel (fortrinnsvis etter at produktet har blitt demontert).



#### VIKTIG!

Alle rengjørings- og desinfeksjonsmidler må være av god kvalitet og kompatible med hverandre. I tillegg må de beskytte materialene de skal rengjøre.

- Når det gjelder kontakttid og konsentrasjon kan du se listen over desinfeksjonsmidler som er utgitt av Statens legemiddelverk (<https://legemiddelverket.no/Documents/Bivirkninger%20og%20sikkerhet/R%C3%A5d%20til%20helsepersonell/liste%20over%20godkjente%20desinfeksjonsmidler%20januar%202017.pdf>).
- Rengjør produktet regelmessig for hånd.
- Ikke bruk slipende rengjøringsmidler.

### Rengjøre setet og rygglenet



#### FORSIKTIG!

##### Klemfare

- Vær særlig forsiktig når du rengjør i området rundt løftearmene, da disse kan bevege seg og forårsake skade.




#### VIKTIG!

##### Fare for skade

- Bruk aldri en høytrykksvasker til å rengjøre rygglenet.

1. Vask produktet med en klut eller en børste.
2. Skyll produktet med varmt vann.

3. Tørk produktet med en klut.
4. Smør glideskinnene for glideskoene (fig. pkt. 3.1, ) lett med vaselin.

### Rengjøre trekk (ekstraustyr)



Vi anbefaler at trekk vaskes før de tas i bruk første gang. Av hygieniske grunner anbefaler vi at trekkene rengjøres regelmessig, og at de skiftes ut hvert år.

1. Knapp opp trekket på setet og rygglenet.
2. Vask trekkene i vaskemaskin ved maks. 60 °C med et mildt vaskemiddel.



#### **VIKTIG!**

##### **Fare for skade**

- Vask ved høye temperaturer kan forårsake krymping.
- Tørk ikke trekk i tørketromler.

### Rengjøre lader og håndkontroll



#### **ADVARSEL!**

##### **Fare for elektrisk støt**

- Koble alltid laderen fra stikkkontakten før du rengjør den.
- Stikk aldri gjenstander som består av ledende materialer (f.eks. strikkepinner eller metallstifter), inn i kontakten på håndkontrollen.
- Bruk aldri en våt eller fuktig klut til å rengjøre laderen.

1. Rengjør laderen med en tørr klut.
2. Tørk av håndkontrollen med en fuktig klut, og tørk den med en tørr klut.

## 7 Etter bruk

### 7.1 Oppbevaring



#### VIKTIG!

#### Fare for skade

- Ikke lagre produktet i nærheten av varmekilder.
- Ikke utsett produktet for direkte sollys.
- Se betingelsene for oppbevaring og transport i avsnittet 9.4 Miljøparametere, side 231

### 7.2 Gjenbruk

Produktet er egnet for gjenbruk. Hvor mange ganger det kan brukes, avhenger av hvor ofte og på hvilken måte produktet blir brukt. Før gjenbruk må produktet gjennomgå en hygienisk klargjøring (→ 6.2 Rengjøring og desinfisering, side 225) og det må kontrolleres for å sikre at det fungerer på en sikker og riktig måte. Reparer produktet hvis det er nødvendig.

### 7.3 Avfallshåndtering

Kassering og resirkulering av brukte produkter og emballasje må utføres i samsvar med gjeldende forskrifter.



#### ADVARSEL!

- Ikke kast den manuelle betjeningsenheten på et bål eller oppbevar den nær åpen ild.

Informasjonsplikt i samsvar med det tyske batteridirektivet, BattG:

Dette produktet inneholder et oppladbart li-ion-batteri. Utladete batterier eller batterier som ikke kan lades opp flere ganger, skal ikke kastes i husholdningsavfallet. Gamle batterier kan inneholde farlige stoffer som kan være skadelige for miljøet og folks helse.

Denne typen batterier skal leveres inn til forhandleren eller til det kommunale returpunktet. Det er lovpålagt og kostnadsfritt å returnere batteriene.

Kast kun utladete batterier i de aktuelle avfallskontainerene og masker polene på litiumbatterier.

## 8 Feilsøking

### 8.1 Avdekke og reparere feil



I tabellen nedenfor finner du informasjon om funksjonssvikt og mulige årsaker. Hvis funksjonssvikten ikke rettes opp ved hjelp av de angitte løsningene, må du kontakte forhandleren direkte.

Feil	Mulig årsak	Løsning
Ingen hørbar motorlyd / løfteren beveger seg ikke.	Kontakten til den manuelle betjeningsenheten er ikke satt ordentlig på plass.	Sett kontakten ordentlig på plass, → 3.3 Montere badekarløfteren, side 214 trinn 5.
	Batteriet er flatt.	Fullad batteriet, → 3.4 Lade batteriet, side 217
	Kontaktene er skitne.	Rengjør pluggen på ryggen, → og kontakt om nødvendig forhandleren.
	Kabelen er klemt/skadet.	Skift ut den manuelle betjeningsenheten, → og kontakt om nødvendig forhandleren.
Løfteren kan heves, men ikke senkes.	Lavspenningsvernet er aktivert.	Fullad batteriet, → 3.4 Lade batteriet, side 217
Løfteren stanser under heving.	For tung belastning.	Ta hensyn til maks. belastning, → 9.1 Dimensjoner og vekt, side 230
Badekarløfteren står ustøtt eller glir i badekaret.	Sugekoppene er gamle eller skadet.	Bytt sugekopper, → og kontakt om nødvendig forhandleren.
Batteriet lades ikke, og den røde lampen blinker under lading.	Elektronikken er defekt.	Be forhandleren teste den manuelle betjeningsenheten.
	Defekt batteri.	Skift ut den manuelle betjeningsenheten.

<b>Feil</b>	<b>Mulig årsak</b>	<b>Løsning</b>
	Defekt lader.	Be forhandleren teste laderen.
	Batteriet er for varmt.	Ikke lade den manuelle betjeningsenheten i nærheten av varmekilder, f.eks. varmeovner eller direkte sollys. Ladingen fortsetter automatisk når temperaturen faller under tillatt grense.

## 9 Tekniske data

### 9.1 Dimensjoner og vekt

Total lengde i laveste stilling	920 mm
Total lengde i høyeste stilling	650 mm
Total høyde i høyeste stilling	1075 mm
Lengde sete	590 mm
Bredde sete ved utslåtte sideklaffer	715 mm
Bredde sete med innslåtte seteklaffer	390 mm
Setehøyde i laveste stilling	60 mm
Setehøyde i høyeste stilling	420 mm
Bredde ryggstøtte	360 mm
Minste vinkel på ryggstøtte	8°
Bredde grunnplate	295 mm
Maks. belastning (ORCA / ORCA F) Maks. belastning (ORCA XL)	140 kg 170 kg
Total vekt uten manuell betjeningsenhet (ORCA) (ORCA F) (ORCA XL)	10,8 kg 11,4 kg 11,6 kg
Vekt sete (ORCA) (ORCA F) (ORCA XL)	6,6 kg 7,2 kg 7,4 kg

Vekt ryggstøtte (ORCA / ORCA F / ORCA XL)	4,2 kg
Vekt manuell betjeningsenhet	0,4 kg
Vekt lader	0,1 kg


### 9.2 Elektroniske data

Betjeningskraft for knapper på den manuelle betjeningsenheten	< 5 N
Driftsspenning manuell betjeningsenhet <sup>1)</sup>	10,8 V DC / 14 V DC
Nominell inngangseffekt <sup>1)</sup>	43 VA / 56 VA
Nominell strøm	4 A
Batteritype	Lithium-ion
Batterilader inngang	100 - 240 V AC, 50 - 60 Hz
Batterilader utgang	24 V DC, 135 mA, 3 VA
Ladetid fra advarsel om lavspenning	ca 4,5 t
Beskyttelsesklasse drev	IP X6 W <sup>2)</sup>
Beskyttelsesklasse manuell betjeningsenhet	IP 67 <sup>3)</sup>
Beskyttelsesklasse for hele enheten	IP X6 <sup>4)</sup>
Støynivå	52 dB(A)

- 1) 10,8 V DC / 43 VA gjelder ved bruk av håndkontroller med 10,8 V spenning, angitt på baksiden av håndkontrollen.  
14 V DC / 56 VA gjelder ved bruk av håndkontroller med 14 V spenning, angitt på baksiden av håndkontrollen.
- 2) Beskyttet mot inntrengning av vann i tilfelle det skulle oppstå kraftige vannstråler, testet under fastsatte værforhold.
- 3) Støvtett og beskyttet mot inntrengning av vann ved midlertidig nedsenkning.
- 4) Beskyttet mot inntrengning av vann i tilfelle det skulle oppstå kraftige vannstråler.

### 9.3 Materialer

Rygglene	Glassfiberarmert polypropylen
Seteplate	Glassfiberarmert polypropylen
Trekk	PVC

 Alle materialer som benyttes, er korrosjonsbestandige og lateksfrie.

### 9.4 Miljøparametere

Driftsforhold	
Omgivelsestemperatur	10–40 °C
Relativ luftfuktighet	15–93 %, ikke-kondenserende
Atmosfærisk trykk	795–1060 hPa

Forhold under oppbevaring og transport	
Omgivelsestemperatur	0–40 °C
Relativ luftfuktighet	30–75 %, ikke-kondenserende
Atmosfærisk trykk	795–1060 hPa





---

# Innehållsförteckning

---

Denna handbok MÅSTE levereras till slutanvändaren. INNAN produkten används, läs handboken och spara den för framtida referens.

<b>1 Allmänt</b>	<b>.234</b>
1.1 Allmän information	.234
1.2 Symboler som används i den här bruksanvisningen	.234
1.3 Garanti	.234
1.4 Överensstämmelse	.234
1.5 Avsedd användning	.235
1.6 Produktlivslängd	.235
<b>2 Säkerhet</b>	<b>.236</b>
2.1 Säkerhetsinformation	.236
2.2 Säkerhetsinformation om elektromagnetisk kompatibilitet	.236
2.3 Etiketter och symboler på produkten	.237
<b>3 Inställningar</b>	<b>.239</b>
3.1 Säkerhetsinformation	.239
3.2 Innehåll vid leverans	.239
3.3 Montera badkarslyften	.240
3.4 Ladda batteriet	.243
<b>4 Användande</b>	<b>.244</b>
4.1 Säkerhetsinformation	.244
4.2 Hantera badkarslyften	.244
4.3 Bada	.246
<b>5 Transport</b>	<b>.248</b>
5.1 Säkerhetsinformation	.248
5.2 Ta ur badkarslyften	.248
<b>6 Underhåll</b>	<b>.250</b>
6.1 Underhåll och service	.250
6.2 Rengöring och desinfektion	.250

<b>7 Återanvändning</b>	<b>.252</b>
7.1 Förvaring	.252
7.2 Återinstallation	.252
7.3 Kassering	.252
<b>8 Felsökning</b>	<b>.253</b>
8.1 Hitta och åtgärda problem	.253
<b>9 Teknisk data</b>	<b>.255</b>
9.1 Mått och vikt	.255
9.2 Elektroniska data	.255
9.3 Material	.256
9.4 Miljöparametrar	.256

# 1 Allmänt

## 1.1 Allmän information

Den här bruksanvisningen innehåller viktig information om hur produkten ska hanteras. Läs igenom bruksanvisningen noga och följ säkerhetsinstruktionerna för att försäkra dig om att du använder produkten på ett säkert sätt. Lägesangivelserna (A, B, C osv.) i hanteringsinstruktionerna hänvisar alltid till den föregående bilden.

## 1.2 Symboler som används i den här bruksanvisningen

I den här bruksanvisningen är alla varningar markerade med symboler. Rubriken bredvid varningssymbolen anger nivå av fara.



### VARNING

Anger en riskfylld situation som kan leda till dödsfall eller allvarliga personskador om den inte undviks.



### FÖRSIKTIGT

Anger en riskfylld situation som kan leda till lättare personskador om den inte undviks.



### VIKTIGT

Anger en riskfylld situation som kan leda till saksador om den inte undviks.



Praktiska råd, rekommendationer och information för effektiv och smidig användning.



Den här produkten uppfyller kraven i direktiv 93/42/EEG om medicintekniska produkter. Produktens lanseringsdatum anges i CE-försäkran om överensstämmelse.



Tillverkare

## 1.3 Garanti

Vi ger en tillverkargaranti för produkten i enlighet med våra allmänna affärsvillkor i respektive land. Garantianspråk kan endast göras genom den aktuella leverantören av produkten.

Överdrag och sugkoppar omfattas inte av garantin.

## 1.4 Överensstämmelse

Kvaliteten är alltid av yttersta vikt för vårt företag. Alla processer baseras på standarderna ISO 9001 och ISO 13485.

Den här produkten är CE-märkt i enlighet med direktiv 93/42/EEG om medicintekniska produkter av klass 1.

Produkten uppfyller kraven i standarderna EN ISO 14971 (Medicintekniska produkter – Tillämpning av ett system för riskhantering för medicintekniska produkter) och EN ISO 10535 (Lyftar för personer med funktionshinder - Krav och provningsmetoder).

Den har en lyftkapacitet som överstiger 1,5 gånger den nominella lasten.

Invacare® arbetar ständigt för att se till att företaget påverkar lokal och global miljö så lite som möjligt.

- Vi följer gällande miljölagstiftning (t.ex. WEEE- och RoHS-direktiven).
- Vi använder endast material och komponenter som följer REACH-direktivet.

Om du vill ha mer information kan du kontakta Invacare® i ditt land (adresser finns på baksidan av den här manualen).

## 1.5 Avsedd användning

Badkarslyftar förenklar och möjliggör i- och urstigning ur badkaret. De är endast avsedda som badhjälpmedel för personer med minskad rörlighet. All annan användning är förbjuden.

### Indikationer

- Betydande funktionsnedsättning/avsaknad av funktion i övre och/eller nedre extremiteter (t.ex. amputeringar, förlamning, ledbesvär, neuromuskulära störningar med försvagade extremiteter), när en självständig i- och urstigning ur badkaret inte längre är möjlig samt man inte kan sätta sig ner och ställa sig upp själv, bålkontroll och grundläggande funktionskapacitet i extremiteterna måste fortfarande vara tillräcklig.
- Kroniska konsekvenser av sjukdom med funktionsbegränsningar i övre och/eller nedre extremiteterna, som inte längre möjliggör självständigt bad, däremot när ett till stor del självständigt bad är möjligt med hjälp av badkarslyften och andra badhjälpmedel för att kompensera funktionsnedsättningen inte är tillräckliga.

### Kontraindikationer

Det finns inga kontraindikationer om produkten används korrekt.

## 1.6 Produktlivslängd

Produktens förväntade livslängd är fem år förutsatt att produkten används dagligen och i enlighet med säkerhetsinstruktioner, underhållsinstruktioner och avsedd användning som anges i den här bruksanvisningen.

## 2 Säkerhet

### 2.1 Säkerhetsinformation



#### **VARNING!**

- Använd inte produkten eller någon tillvalsutrustning innan du har läst och förstått de här instruktionerna och eventuellt ytterligare instruktionsmaterial som bruksanvisningar, servicemanualer eller instruktionsblad som medföljer produkten eller tillvalsutrustningen. Manualer för produkter från Invacare finns på Internet och hos din lokala återförsäljare (adresser finns på baksidan av den här manualen).
- Om du inte kan förstå varningarna eller instruktionerna ska du kontakta hälso- och sjukvårdspersonal, återförsäljaren eller teknisk personal innan du använder utrustningen – annars kan det orsaka personskador eller skador på produkten.



#### **VARNING!**

##### **Risk för personskador**

- Använd inte produkten om den är defekt.
- Kontakta genast din återförsäljare i händelse av fel.
- Försök inte laga eller utföra obehöriga ändringar på produkten.
- Använd endast reservdelar som är avsedda för denna produkt.



#### **VARNING!**

##### **Risk för personskador**

- Stå aldrig på badkarslyften för att komma i eller ur badkaret, och använd den inte för att klättra upp eller ned, eller som lyftredskap eller andra liknande ändamål.



#### **VIKTIGT!**

Informationen i det här dokumentet kan ändras utan föregående meddelande.

- Kontrollera alla delar för att se om de har skadats under leveransen och testa dem innan de används.

### 2.2 Säkerhetsinformation om elektromagnetisk kompatibilitet

Produkten har godkänts i test enligt internationella standarder för elektromagnetisk kompatibilitet. Elektromagnetiska fält, t.ex. sådana som genereras av radio- och tv-sändare, radioutrustning och mobiltelefoner, kan dock påverka funktionen hos eldrivna produkter. Elektroniken som används i den här produkten kan också orsaka svaga elektromagnetiska störningar, men de underskrider gränsvärdena i bestämmelserna. Du bör därför observera följande varningar:

**FÖRSIKTIGT!****Elektromagnetiska störningar**

Trådlös kommunikationsutrustning, t.ex. nätverksroutrar, mobiltelefoner, sladdlösa telefoner och tillhörande basstationer eller walkie-talkies, kan störa denna utrustning.

- Se till att sådana enheter befinner sig på minst 2 meters avstånd från badkarslyften.

**FÖRSIKTIGT!****Elektromagnetiska störningar**

Elektromagnetiska störningar kan medföra att enheten plötsligt stannar eller (även om detta är högst osannolikt) börjar röra sig på egen hand.

- Stäng av den externa enheten och/eller produkten från Invacare® om detta skulle inträffa.
- Om andra elektriskt drivna medicintekniska produkter orsakar störningar eller påverkas ska du stänga av produkten från Invacare® och kontakta en återförsäljare.

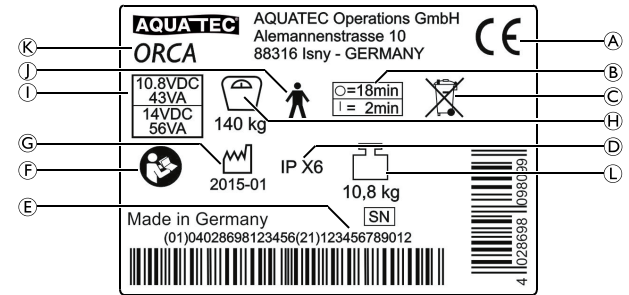


Mer information och tillverkarens deklaration om elektromagnetisk utstrålning och immunitet kan fås på begäran från Invacare® i ditt land.

## 2.3 Etiketter och symboler på produkten

### Märkplåt

Märkplåten innehåller också viktig information:



(A)	Överensstämmelsemärke
(B)	Driftstid (högst 2 min/18 min)
(C)	Anmärkning (kassering)
(D)	Skyddstyp
(E)	Serienummer för enhet
(F)	Anmärkning (uppmärksamma bifogade handlingar)
(G)	Produktionstidsram
(H)	Belastningskapacitet
(I)	Nominell spänning/nominell effekt, se avsnitt 9.2 Elektroniska data, sida 255
(J)	Användningsområde typ B
(K)	Enhetsbeteckning
(L)	Produktvikt



Identifikationsetiketten sitter på ryggstödet baksida.

## 3 Inställningar

### 3.1 Säkerhetsinformation



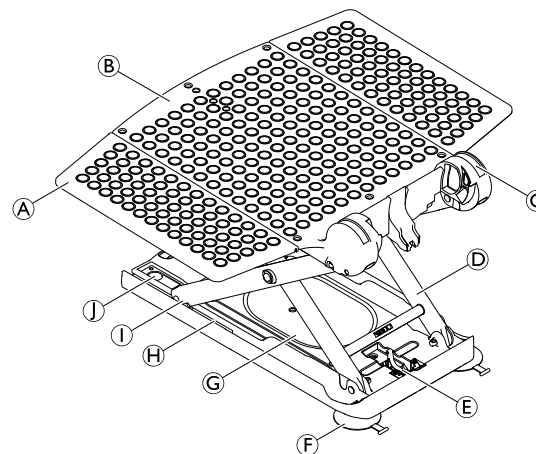
#### VIKTIGT!

- Kontrollera delarna för transportskador före användning och kontakta återförsäljaren vid behov.
- Se till att delarna är rätt placerade i förhållande till varandra under monteringen.
- Vi rekommenderar att överdragen tvättas före den första användningen. Se avsnittet 6.2 Rengöring och desinfektion, sida 250

### 3.2 Innehåll vid leverans

Den här bruksanvisningen hänvisar till modellerna ORCA, ORCA F och ORCA XL. Dessa modeller skiljer sig åt vad gäller vikt och brukarens maxvikt, se avsnitt 9.1 Mått och vikt, sida 255 En sits- och ryggstödsklädsel finns som tillval för alla tre modellerna. Ryggstödet kan inte sänkas på modellen ORCA F. Följande delar ingår i leveransen:

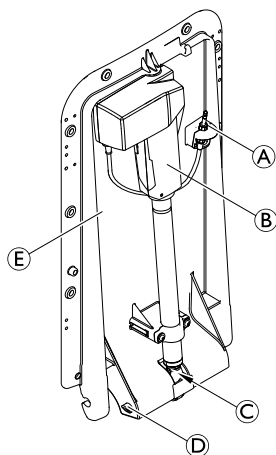
### Sits



(A)	Sidoklaff
(B)	Sittplatta
(C)	Gångjärn för ryggstöd
(D)	Lyftsaxar
(E)	Fotspolens hållare
(F)	Bakre sugkoppar (två flikar med gänga)
(G)	Basplatta
(H)	Spår för glidsko

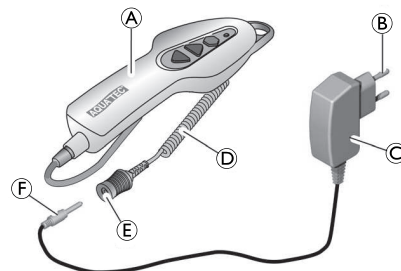
①	Glidsko
①	Främre sugkoppar (en flik med gänga)

## Ryggstöd



Ⓐ	Kontakt
Ⓑ	Drivenhet
Ⓒ	Fotspole
Ⓓ	Låspinne
Ⓔ	Platta, ryggstöd

## Handkontroll och laddare



Ⓐ	Handkontroll med batteri
Ⓑ	Elkontakt
Ⓒ	Laddare
Ⓓ	Handkontrollens spiralsladd
Ⓔ	Handkontrollens uttag
Ⓕ	Laddarens kontakt

## 3.3 Montera badkarslyften



### VARNING!

#### Halkrisk

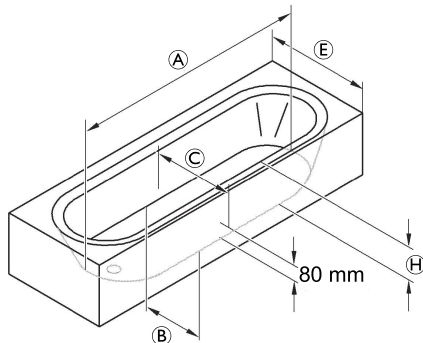
Badkarslyften kan glida om sugkopparna inte har ett fast grepp.

- Rengör badkaret och sugkopparna med en fuktig trasa innan du monterar badkarslyften.
- Ändra inte lyftens läge i badkaret efter att den har satts upp.



**VARNING!****Risk för person- och sakskada**

- Montera endast lyften i badkar som uppfyller de specifikationer som anges i följande tabell.
- Om det har uppstått ett lateralt överflöde i badkaret ska specialsidosflikarna (finns som tillbehör) användas.

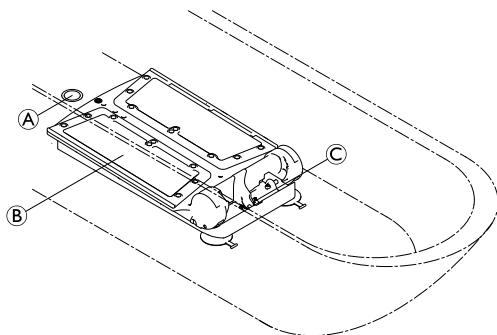


Ⓐ	Badkarets längd, botten	≥ 800 mm
Ⓑ	Badkarets bredd, botten (invändigt)	280 - 600 mm
Ⓒ	Badkarets bredd vid 80 mm höjd (invändigt)	≥ 430 mm

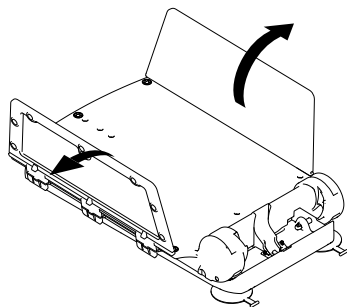
Ⓔ	Badkarets bredd (utvändigt)	580 - 690 mm (med specialsidosklaffar) 700 - 740 mm (med standardsidosklaffar) 750 - 1000 mm (med specialsidosklaffar)
Ⓕ	Badkarets höjd (invändigt)	≤ 420 mm (med höjdjustering högst +60 mm)

**VIKTIGT!**

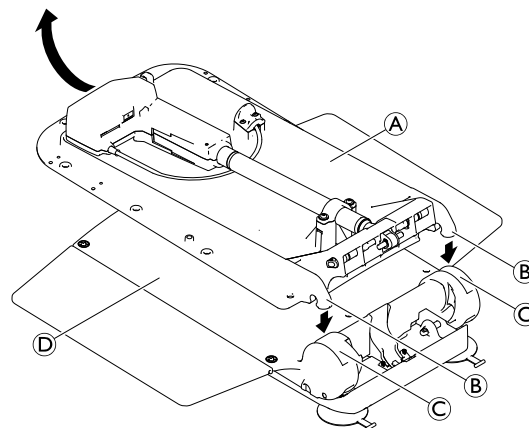
- Se till att sugkopparna är monterade.
- Se till att batteriet i handkontrollen är laddat.
- Se till att fotspolen är helt inskjuten.
- Kom ihåg att bedöma vikterna korrekt när badkarslyftens komponenter lyfts upp, se avsnitt 9.1 Mått och vikt, sida 255
- Om badkaret har ett handtag ska du använda sidoklaffarnas fördelare (finns som tillbehör).
- Vik ut sidoklaffarna innan du reser upp ryggsätet.



1. Placera sitsen ② på botten av det tomma badkaret. Se till att fotspolens hållare ③ är riktad mot badkarets bakdel mitt emot avloppet ①.



2. Vik ut sitsens sidoklaffar.



3. Lägg ryggstödet ① (utan handkontroll) på sitsen så att hakarna ② på ryggstödet passar i gångjärnen ③ på sittplattan ④.



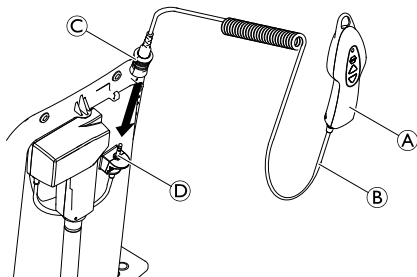
**VIKTIGT!**

**Risk för sakskada**

Skada på produkten till följd av att fotspolen glidit ur.

- Se till att spindeln är helt indragen och att spindelfoten inte lutar eller är vriden innan du fäller upp ryggstödet.
- Se till att fotspolen är i sin hållare när ryggstödet är uppfällt.

4. Håll ryggstödet i mitten av huvudänden och lyft det försiktigt på plats i ändläget.



5. Anslut uttaget med upplåsningshylsan © som sitter på spiralsladden ② till kontakten ④ som sitter på handkontrollen ① tills låsmekanismen tydligt slår till.



#### VIKTIGT!

##### Risk för sakskada

- Se till att ryggstödet inte vidrör badkarskanten.
- Placera badkarslyften längre fram i badkaret, vid behov.

### 3.4 Ladda batteriet

Badkarslyften får inte användas medan batteriet laddas.



#### VARNING!

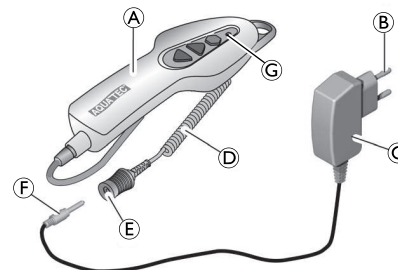
##### Risk för elektriska stötar

- Ladda alltid batteriet i ett torrt rum i rumstemperatur (15–25 °C) och aldrig i badrummet.



#### VIKTIGT!

- Använd endast den medföljande laddaren vid laddning av batteriet i handkontrollen.
- Anslut laddaren till eluttaget endast när handkontrollen är kopplad till laddaren.
- Se till att spänningsspecifikationerna på laddaren överensstämmer med de för eluttaget.



1. Sätt i kontakten ⑥ på laddaren ③ i uttaget ⑤ på spiralsladden ② till handkontrollen ① och se till att den sitter i ordentligt.
2. Anslut nätkabeln ② från laddaren till ett eluttag.



Den röda indikatorlampan ③ på handkontrollen släcks när batteriet är fullständigt laddat. Det är ingen risk för att batteriet „överladdas“.

3. Koppla ur laddaren ur eluttaget.
4. Dra ut laddarens kontakt ur uttaget på handkontrollen.

## 4 Användande

### 4.1 Säkerhetsinformation



#### FÖRSIKTIGT!

Överbelastning av badkarslyften kan orsaka skada på enheten eller förhindra att den kan höjas.

- Överbelasta inte badkarslyften och uppmärksamma specifikationerna på identifikationsetiketten och i avsnitt 9.1 Mått och vikt, sida 255 avseende dess belastningskapacitet.



#### FÖRSIKTIGT!

#### Risk för att klämma fingrarna

- För inte in fingrarna i spåret mellan sitsen och ryggstödet.
- Sträck inte in handen under sittplattan eller mellan lyftsaxarna.



#### VIKTIGT!

Fukt kan tränga in i handkontrollen om den är skadad, vilket kan leda till kortslutning och brand.

- Utför alltid en visuell inspektion av produkten beträffande externa skador före varje användningstillfälle.
- Om handkontrollens kåpa skadas eller har sprickor ska handkontrollen inte användas.
- Ladda batteriet helt före varje användningstillfälle, 3.4 Ladda batteriet, sida 243

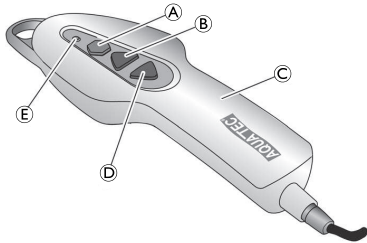
1. Se driftförhållanden i avsnittet 9.4 Miljöparametrar, sida 256

### 4.2 Hantera badkarslyften

Badkarslyften kan styras i följande riktningar:



Badkarslyften styrs via handkontrollen.

**VIKTIGT!****Risk för sakskada**

- Handkontrollen får endast användas när ryggstödet är ordentligt installerat och i upprätt läge.

**VIKTIGT!**

- Om batteriet i handkontrollen © inte är tillräckligt laddat tänds den röda indikatorlampan ⑤ när Ned-knappen ④ trycks ned. I så fall inaktiveras badkarslyftens sänkningsfunktion. Du kan dock fortfarande höja lyften.
- Ladda batteriet direkt efter att ha höjt den.



När batteriet är fullt laddat kan Orca och Orca F klara 5 badmanövrer med en last på 140 kg. Orca XL kan klara 4 badmanövrer med en last på 170 kg.

**Höja badkarslyften****VIKTIGT!**

- Om ryggstödet är nedfällt reser det sig till upprätt läge först (gäller ej modellen Orca F).

1. Tryck på Upp-knappen ② på handkontrollen och håll den nedtryckt.  
Ryggstödet reser sig till upprätt läge och sitsen höjer sig uppåt.
2. Släpp Upp-knappen på handkontrollen.  
Badkarslyften stannar i det aktuella läget.

**Sänka badkarslyften****VIKTIGT!**

- Om sitsen redan är nedsänkt faller sig ryggstödet bakåt (gäller ej modellen Orca F).

1. Tryck på Ned-knappen ④ på handkontrollen och håll den nedtryckt.  
Sitsen sänker sig nedåt eller också faller sig ryggstödet bakåt.
2. Släpp Ned-knappen på handkontrollen.  
Badkarslyften stannar i det aktuella läget.

**Nödstopp****VIKTIGT!**

- Tryck endast på nödstoppsknappen ① om enheten inte stannar omedelbart när du släpper Upp- eller Ned-knappen (t.ex. om en knapp fastnar). Badkarslyften stannar omedelbart och den röda lampan på handkontrollen tänds.

Om den röda indikatorlampan slocknar efter att nödstoppsknappen har släppts upp, har felet korrigerats (t.ex. knappen släpps upp igen). Anordningen är redo att användas igen.

Om den röda indikatorlampan fortsätter att lysa efter att nödstoppsknappen har släppts upp, har felet inte korrigerats ännu. Anordningen får inte användas utan måste repareras, till exempel om elektroniken har skadats.

 Kontakta återförsäljaren om det behövs.

### 4.3 Bada



#### **VARNING!**

##### **Halkrisk**

Badkarslyften kan glida om sugkopparna inte har ett fast grepp.

- Se till innan du använder badkarslyften att den sitter säkert och inte kan tippa omkull.
- Se till att badkarslyften är installerad i badkaret enligt beskrivningen i avsnitt 3.3 Montera badkarslyften, sida 240



#### **VARNING!**

- Om ditt tillstånd innebär att du inte kan bada på egen hand ska du endast använda lyften med någon annan närvarande.
- Om du använder enheten utan uppsikt ska du se till att ha ett larmsystem eller en telefon inom räckhåll om något oförutsett skulle hända (t.ex. funktionsfel).



#### **FÖRSIKTIG!**

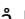
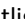
Badolja eller -salt kan försämra funktionen i lyftsaxarna.

- Om du använder sådana tillsatser i badet bör du inte överskrida den rekommenderade doseringen.

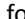


#### **VIKTIG!**

- Kör den tomma lyften upp till toppen en gång och sedan ned till botten (funktionstest).
- Kontrollera temperaturen på badvattnet innan du badar.

1. Tryck på Upp-knappen  och håll den nedtryckt tills sitsen kommer i jämnhöjd med badkarskanten.
2. Se till att sidoklaffarna är i nivå med sitsen och att de vilar plant mot badkarskanten.
3. Tappa upp badvattnet i karet.
4. Sätt dig på sidoklaffen närmast dig på samma sätt som du sätter dig på en stol.
5. Glid bakåt tills du sitter på mitten av sitsen.
6. Vrid kroppen till badläge genom att lyfta först det ena och sedan det andra benet över badkarskanten.
7. När du sitter ordentligt trycker du på Ned-knappen  och håller den nedtryckt så att sitsen sänks ned i karet.



När sitsen har nått bottenläget kan du luta ryggstödet bakåt genom att fortsätta att hålla Ned-knappen  nedtryckt. Det ger en bekvämare badställning och gör det möjligt att komma djupare ned i badvattnet (gäller ej modellen Orca F).

8. Håll Ned-knappen nedtryckt tills ryggstödet når önskat läge.



När du ska stiga ur badkaret följer du dessa steg i omvänd ordning.

9. När du vill resa upp ryggstödet eller höja lyften trycker du på Uppknappen **B** och håller den nedtryckt tills önskat läge uppnås.



**VIKTIGT!**

– Koppla bort handkontrollen från enheten när badkarslyften inte används, se avsnitt 5.2 Ta ur badkarslyften, sida 248 steg 3.

## 5 Transport

### 5.1 Säkerhetsinformation



#### FÖRSIKTIGT!

Ryggstödet är inte låst vid sitsen när det är hopfällt och kan lossna.

- Ta inte av sugkopporna under transport av badkarslyften.
- Avlägsna handkontrollen från ryggstödet före transport.
- Se förvarings- och transportförhållanden i avsnittet 9.4 Miljöparametrar, sida 256

1. Ta bort handkontrollen.
2. Demontera badkarslyften i två delar för transport (sits och ryggstöd). Se avsnitt 5.2 Ta ur badkarslyften, sida 248

### 5.2 Ta ur badkarslyften

1. Släpp ut vattnet ur badkaret.
2. Sänk badkarslyften med Ned-knappen tills ryggstödet stannar i sänkt ändläge. Se avsnitt 4.2 Hantera badkarslyften, sida 244

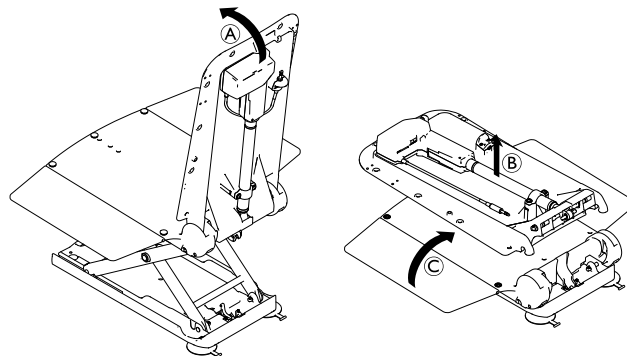
3. Frigör jacket på spiralsladden till handkontrollen genom att föra upplåsningshylsan uppåt och dra av den från kontakten.



#### VIKTIGT!

#### Risk för sakskada

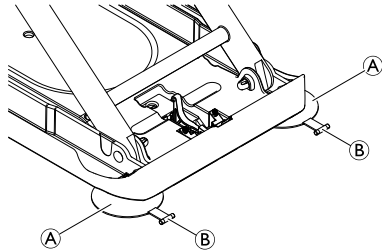
- Se till så att handkontrollens spiralsladd inte hamnar i kläm när ryggstödet fälls ned.
- Fäll inte ned ryggstödet medan det är vatten i badkaret.



4. Håll ryggstödet i huvudänden med en hand och vik det framåt mot ändläget **A**.
5. Dra upp ryggstödet ur sitsen och badkaret **B**.



6. Vik in sitsens sidoklaffar ©.



**VIKTIGT!**

– Lossa båda sugkopparna samtidigt.

7. Lossa den bakre sugkoppen (A) genom att dra dess klaff uppåt (B).
8. Lyft den bakre delen av sitsen ytterligare. De främre sugkopparna lossar då av sig själv.



**VIKTIGT!**

– Om höjjusterare har installerats (valfritt) måste du också dra i flikarna på de främre sugkopparna för att de ska lossa.

9. Lyft upp sitsen ur badkaret.
10. Förvara alla delar till badkarslyften omsorgsfullt.

## 6 Underhåll

### 6.1 Underhåll och service

Om rengörings- och säkerhetsinstruktioner följs behöver produkten inget underhåll.

#### ! VIKTIGT!

Handkontrollen får endast öppnas av badkarslyftens tillverkare.

1. Kontrollera regelbundet att produkten inte är skadad och att den är monterad på ett säkert sätt.
2. Kontakta genast återförsäljaren i händelse av skada och/eller behov av reparation.
3. Badkarslyften måste kontrolleras av en auktoriserad återförsäljare innan den kan återanvändas. Badkarslyften bör kontrolleras minst en gång per 24 månader (i enlighet med EN ISO 10535).
4. Om badkarslyften inte har använts under en längre tid bör batteriet laddas helt och lyften höjas och sänkas 3 gånger utan last. Upprepa detta var 3:e månad. Det bidrar till att hålla batteriet i fungerande skick.

### 6.2 Rengöring och desinfektion

Produkten kan rengöras och desinficeras med vanliga rengöringsmedel.

1. Desinficera produkten genom att torka av alla åtkomliga ytor med desinfektionsmedel (efter att produkten har monterats isär, om möjligt).

#### ! VIKTIGT!

Alla rengöringsmedel och desinfektionsmedel som används måste vara effektiva, kompatibla med varandra och måste skydda de material som de är avsedda att rengöra.

- Ytterligare information om dekontaminering i vårdmiljö finns i riktlinjerna för hur smittspridning förhindras som sammanställts av brittiska National Institute for Clinical Excellence på [www.nice.org.uk/CG139](http://www.nice.org.uk/CG139). Se även er lokala smittskyddspolicy.
- Rengör produkten regelbundet för hand.
- Använd inte slipande rengöringsmedel.

### Rengöra sitsen och ryggstödet



#### FÖRSIKTIGT!

##### Risk för att klämma fingrarna

- Var extra försiktig när du rengör området runt lyftaxarna eftersom de kan röra sig och orsaka personskada.

#### ! VIKTIGT!

##### Risk för skador

- Använd aldrig högtryckstvätt för att rengöra ryggstödet.

1. Rengör produkten med en trasa eller borste.
2. Skölj produkten med varmt vatten.
3. Torka produkten med en trasa.
4. Smörj spåret till glidskon (Fig. avsn. 3.1, ⊕) lätt med vaselin.

## Rengöra överdragen (tillval)



Vi rekommenderar att överdragen tvättas före den första användningen. Överdragen bör tvättas regelbundet och bytas ut en gång per år av hygieniska skäl.

1. Knäpp loss överdragen från sitsen och ryggstödet.
2. Tvätta överdragen i tvättmaskin i max 60 °C med mild tvättmedel.



### **VIKTIGT!**

#### **Risk för skador**

- Hög tvättemperatur kan orsaka krympning.
- Torka inte överdragen i torktumlare.

## Rengöra laddaren och handkontrollen



### **VARNING!**

#### **Risk för elektriska stötar**

- Dra alltid ut kontakten ur eluttaget innan du rengör laddaren.
- Infoga aldrig material som är ledande (t.ex. stickor, metallnålar) i handkontrollens uttag.
- Använd aldrig en blöt eller fuktig trasa vid rengöring av laddaren.

1. Rengör laddaren med en torr trasa.
2. Torka av handkontrollen med en fuktig trasa och torka den sedan med en torr trasa.

## 7 Återanvändning

### 7.1 Förvaring



#### VIKTIGT!

#### Risk för sakskada

- Förvara inte produkten nära värmekällor.
- Exponera inte produkten för direkt solljus.
- Se förvarings- och transportförhållanden i avsnittet 9.4 Miljöparametrar, sida 256

### 7.2 Återinstallation

Produkten kan återinstalleras. Antalet återinstallationer beror på hur ofta och på vilket sätt produkten har använts. Före återinstallation bör produkten genomgå hygienisk förberedelse (→ 6.2 Rengöring och desinfektion, sida 250) samt mekanisk kontroll för att försäkra att den är i fungerande och säkert skick. Reparera vid behov.

### 7.3 Kassering

Kassering och återvinning av begagnade produkter och förpackningar ska ske i enlighet med gällande tillämpliga bestämmelser.



#### VARNING!

- Släng aldrig handkontrollen i eller förvara den nära öppen eld.

Informationsplikt enligt tyska direktiv angående batterier;  
BattG:

Produkten innehåller ett uppladdningsbart litiumjonbatteri. Urladdade batterier eller de som inte längre kan laddas får inte kasseras i hushållssoporna. Gamla batterier kan innehålla skadliga ämnen som kan utgöra en fara för miljön och folkhälsan.

Återlämna sådana batterier till din återförsäljare eller till den lokala batteriinsamlingen. Det kostar inget att lämna tillbaka dem, och det är en skyldighet enligt lag.

Släng endast urladdade batterier i samlingsbehållare och tejpa över polerna på litiumbatterier.

## 8 Felsökning

### 8.1 Hitta och åtgärda problem



I följande tabell finns information om fel och möjliga orsaker till dessa. Kontakta din återförsäljare direkt om du inte kan åtgärda felen med hjälp av lösningarna i tabellen.

Problem	Möjlig orsak	Lösning
Inget motorljud hörs/lyften rör sig inte.	Uttaget på handkontrollen är inte helt låst.	Lås uttaget, → 3.3 Montera badkarslyften, sida 240 steg 5.
	Batteriet är slut.	Ladda batteriet helt fullt, → 3.4 Ladda batteriet, sida 243
	Polerna är smutsiga.	Rengör kontakten på ryggstödet, → kontakta återförsäljaren om det behövs.
	Sladden är hopklämd / skadad.	Byt ut handkontrollen, → kontakta återförsäljaren om det behövs.
Lyften kan höjas men inte sänkas.	Lågspänningsskyddet har aktiverats.	Ladda batteriet helt fullt, → 3.4 Ladda batteriet, sida 243
Lyften stannar när den höjs.	Överbelastning.	Observera högsta belastning, → 9.1 Mått och vikt, sida 255
Badkarslyften fäster inte ordentligt i badkaret.	Sugkopporna är gamla eller skadade.	Byt ut sugkopporna, → kontakta återförsäljaren om det behövs.
Batteriet laddas inte och den röda indikatorlampan blinkar under laddningen.	Fel på elektroniken.	Be en auktoriserad återförsäljare att undersöka handkontrollen.
	Fel på batteriet.	Byt ut handkontrollen.

<b>Problem</b>	<b>Möjlig orsak</b>	<b>Lösning</b>
	Fel på laddaren.	Be en auktoriserad återförsäljare att undersöka laddaren.
	Batteriet är överhettat.	Ladda inte handkontrollen i närheten av värmekällor som element eller i direkt solljus. Laddningen fortsätter automatiskt när temperaturen sjunker till inom de tillåtna gränserna.

## 9 Teknisk data

### 9.1 Mått och vikt

Total längd i det lägsta läget	920 mm
Total längd i det högsta läget	650 mm
Total höjd i det högsta läget	1075 mm
Sitsens längd	590 mm
Sitsens bredd med sidoklaffar utvikta	715 mm
Sitsens bredd med sidoklaffar invikta	390 mm
Sitsens höjd i det lägsta läget	60 mm
Sitsens höjd i det högsta läget	420 mm
Ryggstödetets bredd	360 mm
Ryggstödetets minsta vinkel	8°
Basplattans bredd	295 mm
Högsta belastning (ORCA / ORCA F) Högsta belastning (ORCA XL)	140 kg 170 kg
Total vikt utan handkontroll (ORCA) (ORCA F) (ORCA XL)	10,8 kg 11,4 kg 11,6 kg
Sitsens vikt (ORCA) (ORCA F) (ORCA XL)	6,6 kg 7,2 kg 7,4 kg
Ryggstödetets vikt (ORCA / ORCA F / ORCA XL)	4,2 kg

Handkontrollens vikt	0,4 kg
Laddarens vikt	0,1 kg

### 9.2 Elektroniska data

Aktiveringskraft för handkontrollens knappar	< 5 N
Handkontrollens driftspänning <sup>1)</sup>	10,8 V DC / 14 V DC
Anslutningseffekt <sup>1)</sup>	43 VA / 56 VA
Märkström	4 A
Batterityp	Litiumjon
Laddarens ingång	100 - 240 V AC, 50 - 60 Hz
Laddarens utgång	24 V DC, 135 mA, 3 VA
Laddningstid från lågspänningsvarning	ca. 4,5 tim
Skyddstyp, drivenhet	IP X6 W <sup>2)</sup>
Skyddstyp, handkontroll	IP 67 <sup>3)</sup>
Skyddstyp, hela enheten	IP X6 <sup>4)</sup>
Ljudstyrkenivå	52 dB(A)

<sup>1)</sup> 10,8 V DC / 43 VA gäller vid användning av handkontroller med 10,8 V spänning, som anges på baksidan av handkontrollen.

14 V DC / 56 VA gäller vid användning av handkontroller med 14 V spänning, som anges på baksidan av handkontrollen.

2) Skyddad mot intrång av vatten i händelse av starka vattenstrålar, testad under föreskrivna väderförhållanden.

3) Dammtålig och skyddad mot intrång av vatten under tillfällig nedsänkning.

4) Skyddad mot intrång av vatten i händelse av starka vattenstrålar.

### 9.3 Material

Ryggstöd	PPGF
Sittplatta	PPGF
Överdrag	PVC



Alla material som används är rostbeständiga och latexfria.

### 9.4 Miljöparametrar

<b>Driftförhållanden</b>	
Omgivande temperatur	10–40 °C
Relativ luftfuktighet	15 %–93 % icke-kondenserande
Atmosfäriskt tryck	795–1 060 hPa
<b>Förvarings- och transportförhållanden</b>	
Omgivande temperatur	0–40 °C

Relativ luftfuktighet	30 %–75 % icke-kondenserande
Atmosfäriskt tryck	795–1 060 hPa



---

# Obsah

---

Tento návod k použití MUSÍ být poskytnut každému uživateli tohoto výrobku. PED použitím výrobku si nvod prostudujte a pot ho uschovejte pro budouc pouit.

<b>1 Všeobecně</b>	<b>.258</b>
1.1 Všeobecné informace	.258
1.2 Symboly použité v tomto návodu	.258
1.3 Záruka	.258
1.4 Soulad s předpisy	.258
1.5 Účel použití	.259
1.6 Doba životnosti	.259
<b>2 Bezpečnost</b>	<b>.260</b>
2.1 Bezpečnostní informace	.260
2.2 Bezpečnostní informace o elektromagnetické kompatibilitě	.260
2.3 Štítky a symboly na výrobku	.261
<b>3 Nastavení</b>	<b>.263</b>
3.1 Bezpečnostní informace	.263
3.2 Rozsah dodávky	.263
3.3 Sestavení zvedače do vany	.264
3.4 Nabíjení baterie	.267
<b>4 Použití</b>	<b>.269</b>
4.1 Bezpečnostní informace	.269
4.2 Ovládání zvedače do vany	.269
4.3 Koupání	.271
<b>5 Přesun</b>	<b>.272</b>
5.1 Bezpečnostní informace	.272
5.2 Demontáž zvedače do vany	.272
<b>6 Údržba</b>	<b>.274</b>
6.1 Údržba a obsluha	.274
6.2 Čištění a dezinfekce	.274

<b>7 Po použití</b>	<b>.276</b>
7.1 Skladování	.276
7.2 Opakované použití	.276
7.3 Likvidace	.276
<b>8 Odstraňování potíží</b>	<b>.277</b>
8.1 Rozpoznávání a oprava závad	.277
<b>9 Technické údaje</b>	<b>.279</b>
9.1 Rozměry a hmotnost	.279
9.2 Elektronické údaje	.279
9.3 Materiály	.280
9.4 Parametry prostředí	.280

# 1 Všeobecně

## 1.1 Všeobecné informace

V tomto návodu k použití naleznete důležité informace o správném použití výrobku. Pečlivě si tento návod přečtěte a dodržujte bezpečnostní pokyny, aby byla zajištěna bezpečnost při používání tohoto výrobku. Údaje v pokynech pro manipulaci, které se týkají pozic (A), (B), (C atd.), se vždy vztahují k předcházejícímu obrázku.

## 1.2 Symboly použité v tomto návodu

Výstrahy jsou v tomto návodu k použití značeny pomocí symbolů. Výstražné symboly jsou doprovázeny textem, který určuje závažnost hrozícího nebezpečí.



### VAROVÁNÍ

Označuje nebezpečnou situaci, která by v případě vzniku mohla zapříčinit vážný nebo smrtelný úraz.



### UPOZORNĚNÍ

Označuje nebezpečnou situaci, která by v případě vzniku mohla zapříčinit méně závažná zranění.



### DŮLEŽITÉ

Označuje nebezpečnou situaci, která by v případě vzniku mohla vést k poškození.



Uvádí užitečné tipy, doporučení a informace důležité k zajištění účinné a hladké obsluhy.



Výrobek splňuje požadavky směrnice 93/42/EHS o zdravotnických prostředcích. Datum uvedení tohoto výrobku na trh je uvedeno v prohlášení CE o shodě.



Výrobce

## 1.3 Záruka

Poskytujeme záruku výrobce na výrobek v souladu s našimi všeobecnými obchodními podmínkami platnými v jednotlivých zemích. Záruční reklamace lze uplatňovat pouze prostřednictvím poskytovatele, od něhož bylo zařízení zakoupeno.

Toto se nevztahuje na potahy a přísavky.

## 1.4 Soulad s předpisy

Kvalita je pro naši společnost velice důležitá; všechny procesy podléhají normám ISO 9001 a ISO 13485.

Tento výrobek nese označení CE v souladu se směrnicí 93/42/EHS o zdravotnických prostředcích třídy 1.

Tento výrobek splňuje požadavky norem EN ISO 14971 (Lékařské prostředky – Aplikace řízení rizika na zdravotnické prostředky), DIN EN ISO 10535 (Zvedáky pro přepravu osob se zdravotním postižením – Požadavky a zkušební metody).

Kapacita zdvihu je 1,5krát větší než jmenovitá nosnost.

Společnost Invacare® se neustále snaží snižovat svůj dopad na životní prostředí – lokálně i globálně.

- Dodržujeme požadavky platných předpisů o ochraně životního prostředí (např. směrnic OEEZ a RoHS).
- Používáme pouze materiály a součásti, které odpovídají požadavkům směrnice REACH.

Další informace získáte od společnosti Invacare® ve vaší zemi (adresy jsou uvedeny na zadní straně této příručky).

## 1.5 Účel použití

Vanové zvedáky ulehčují nebo přímo umožňují vstup do vany a výstup z ní. Slouží výhradně jako pomůcka ke koupání pacientů se sníženou mobilitou. Jakýkoli jiný způsob použití je zakázán.

### Indikace použití

- Závažné snížení funkce / výpadek funkce horních a/nebo dolních končetiny (např. amputace, paréza, onemocnění kloubů, nervosvalová onemocnění s postižením končetin), kdy pacient sám nezvládne vstoupit či vystoupit z vany nebo není schopen si sám sednout a zvednout se. Pacient musí mít zachovanou hybnost trupu a základní funkce končetin v dostatečné míře.
- Chronické důsledky onemocnění s funkčním omezením horních a/nebo dolních končetin, které již neumožňují soběstačné koupání; pokud je možné do značné míry soběstačné koupání při použití vanového zvedáku a jiné vanové pomůcky sloužící ke kompenzaci postižení již nejsou dostatečné.

### Kontraindikace

Pokud produkt používáte správným způsobem, ke kontraindikacím nedochází.

## 1.6 Doba životnosti

Je-li výrobek používán denně, v souladu s nařízeními ohledně bezpečnosti a pokyny k údržbě a pro zamýšlený účel, jak je uvedeno v tomto návodu, je jeho očekávaná doba životnosti pět let.

## 2 Bezpečnost

### 2.1 Bezpečnostní informace



#### **VAROVÁNÍ!**

- Tento výrobek ani žádné dostupné volitelné vybavení nepoužívejte, aniž byste se předem důkladně obeznámili s tímto návodem a s veškerými dodatečnými instruktážními podklady, jako jsou například návody k použití, servisní příručky nebo pokyny dodané s tímto výrobkem nebo s volitelným vybavením. Příručky k produktům společnosti Invacare jsou k dispozici na internetu nebo u místního prodejce (adresy jsou uvedeny na zadní straně této příručky).
- Nebudou-li pro vás varování, upozornění nebo pokyny srozumitelné, obraťte se na zdravotnického pracovníka, prodejce nebo odborného technika dřívě, než se pokusíte výrobek použít – v opačném případě může dojít k úrazu nebo ke vzniku škody.



#### **VAROVÁNÍ!**

##### **Nebezpečí úrazu**

- Zařízení nepoužívejte, je-li poškozeno.
- V případě závady se okamžitě obraťte na příslušného prodejce.
- Neprovádějte neschválené změny ani úpravy výrobku.
- Používejte pouze náhradní díly určené pro tento výrobek.



#### **VAROVÁNÍ!**

##### **Nebezpečí úrazu**

- Na vanový zvedák si nikdy nestoupejte ve snaze vlézt do vany nebo z ní vylézt, ani ho nepoužívejte místo žebříku či stupátka, jako zvedací plošinu a podobně.



#### **DŮLEŽITÉ!**

- Informace obsažené v tomto dokumentu podléhají změnám bez předchozího upozornění.
- Před použitím výrobku zkontrolujte a vyzkoušejte všechny součásti a ujistěte se, že při přepravě nebyly poškozeny.

### 2.2 Bezpečnostní informace o elektromagnetické kompatibilitě

Tento výrobek byl úspěšně testován podle mezinárodních norem z hlediska elektromagnetické kompatibility. Elektromagnetická pole, jako jsou pole generovaná rádiovými a televizními vysílači, rádiovými zařízeními nebo mobilními telefony, však mohou ovlivnit činnost výrobků s elektrickými

pohony. Elektronické díly obsažené v tomto výrobku mohou také způsobovat slabé elektromagnetické rušení, které však nedosahuje hodnot zákonných limitů. Měli byste proto dodržovat pokyny v následujících varováních:



### UPOZORNĚNÍ!

#### Elektromagnetické rušení

Činnost tohoto přístroje může být ovlivněna zařízeními pro bezdrátovou komunikaci, jako jsou směrovače WLAN, mobilní telefony, bezdrátové telefony a jejich základní stanice nebo vysílačky.

- Tato zařízení je třeba udržovat ve vzdálenosti alespoň 2 metry od vanového zvedáku.



### UPOZORNĚNÍ!

#### Elektromagnetické rušení

Elektromagnetické rušení by mohlo způsobit náhlé zastavení činnosti zařízení nebo (ačkoliv je to vysoce nepravděpodobné) jeho samovolný pohyb.

- Pokud k tomu dojde, vypněte externí zařízení a/nebo výrobek Invacare®.
- Pokud bylo rušení způsobeno jinými elektricky řízenými zdravotnickými výrobky nebo došlo k narušení chodu takových výrobků, vypněte výrobek Invacare® a kontaktujte prodejce.

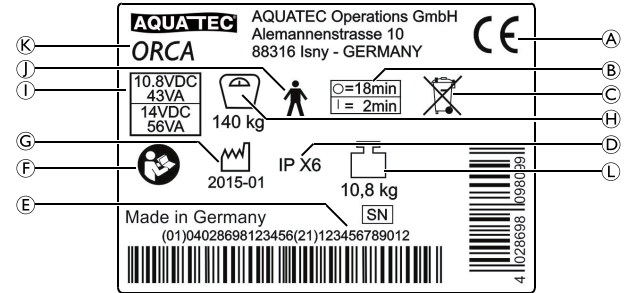


Doporučení a prohlášení výrobce k elektromagnetickým emisím a odolnosti vám na požádání poskytne společnost Invacare® ve vaší zemi.

## 2.3 Štítky a symboly na výrobku


### Identifikační štítek

Identifikační štítek také obsahuje důležité informace:



Ⓐ	Certifikační značka
Ⓑ	Pracovní cyklus (max. 2 min / 18 min)
Ⓒ	Poznámka (likvidace)
Ⓓ	Typ ochrany
Ⓔ	Sériové číslo zařízení
Ⓕ	Poznámka (přečtěte si doprovodnou dokumentaci)
Ⓖ	Časový rámeček výroby
Ⓗ	Nosnost
Ⓘ	Nominální napětí / nominální napájení, viz část 9.2 Elektronické údaje, strana 279
⓵	Aplikovaná část typu B

Ⓚ	Určení zařízení
Ⓛ	Hmotnost produktu

 Identifikační štítek je umístěn na zadní části opěradla.

## 3 Nastavení

### 3.1 Bezpečnostní informace

#### ! DŮLEŽITÉ!

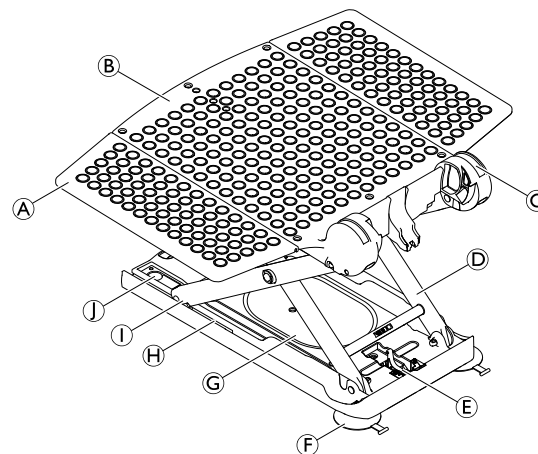
- Před uvedením do provozu zkontrolujte, zda při přepravě nedošlo k poškození součástí, a v případě potřeby se obraťte na prodejce.
- Během montáže kontrolujte, zda jsou díly ve správné poloze vzhledem k ostatním dílům.
- Doporučujeme vyprat potahy před prvním použitím, viz kapitola 6.2 Čištění a dezinfekce, strana 274

### 3.2 Rozsah dodávky

Tento návod k použití je určen pro modely ORCA, ORCA F a ORCA XL. Tyto modely se liší v hmotnosti a maximálním zatížení. Další informace najdete v části 9.1 Rozměry a hmotnost, strana 279 U všech tří modelů je k dispozici volitelný potah sedadla a opěradla. U modelu ORCA F nelze snížit opěradlo.

Součástí dodávky jsou následující součásti:

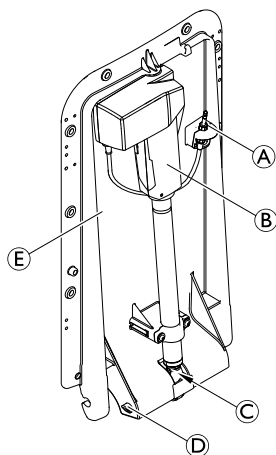
### Sedadlo



(A)	Boční klapka
(B)	Deska sedadla
(C)	Pant opěradla
(D)	Zvedací kloub
(E)	Upínací prvek vřetenovité nohy
(F)	Zadní přísavky (dva úchyty s proužkem)
(G)	Základní deska
(H)	Vedení pro kluznici

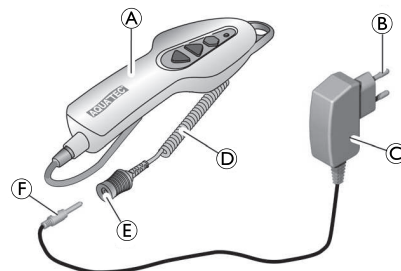
①	Kluznice
①	Přední přísavky (jeden úchyt s hlavicí)

## Opěradlo



Ⓐ	Kolíkový konektor
Ⓑ	Jednotka
Ⓒ	Vřetenovitá noha
Ⓓ	Zajišťovací kolík
Ⓔ	Deska, opěradlo

## Ruční ovládání a nabíječka



Ⓐ	Ruční ovladač s baterií
Ⓑ	Napájecí konektor
Ⓒ	Nabíječka
Ⓓ	Spirální kabel ručního ovladače
Ⓔ	Kolíková zásuvka ručního ovladače
Ⓕ	Kolíkový konektor nabíječky

## 3.3 Sestavení zvedáče do vany



### VAROVÁNÍ!

#### Nebezpečí uklouznutí

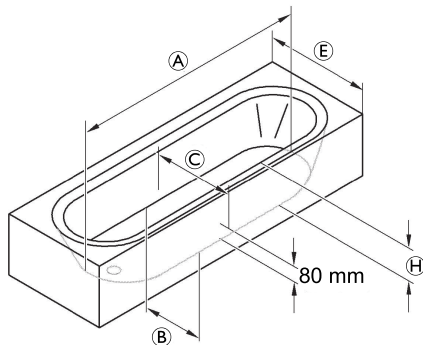
Pokud nejsou přísavky dostatečně připevněny, zvedáč do vany může podklouznout.

- Před ukotvením vanového zvedáku vyčistěte vanu i přísavky pomocí vlhkého hadříku.
- Po sestavení již neměňte polohu zvedáče do vany.



**VAROVÁNÍ!****Nebezpečí úrazu a poškození**

- Zvedáč do vany montujte pouze do van vyhovujících specifikacím uvedeným v následující tabulce.
- Pokud vana na bocích přetéká, použijte speciální postranní chlopně (k dispozici jako příslušenství).

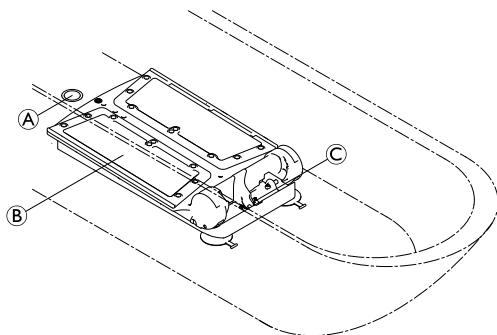


Ⓐ	Délka vany, dno	≥ 800 mm
Ⓑ	Šířka vany, dno (vnitřek)	280 - 600 mm
Ⓒ	Šířka vany, ve výšce 80 mm (vnitřek)	≥ 430 mm

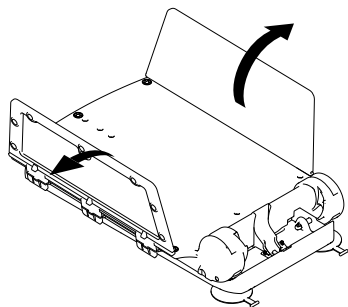
Ⓔ	Šířka vany (venku)	580 - 690 mm (se speciálními bočními klapkami)  700 - 740 mm (se standardními bočními klapkami)  750 - 1000 mm (se speciálními bočními klapkami)
Ⓕ	Výška vany (vnitřek)	≤ 420 mm (s výškovým adaptérem, max. + 60 mm)

**DŮLEŽITÉ!**

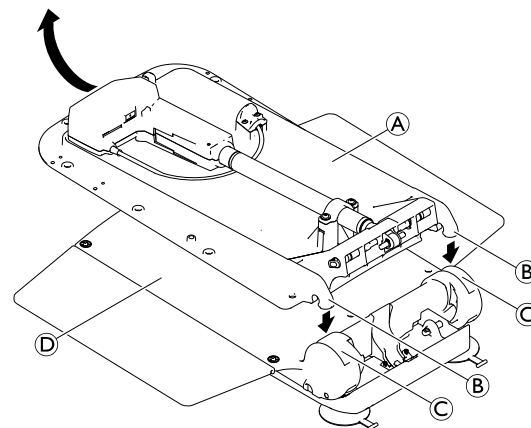
- Zkontrolujte, zda jsou namontovány přísavky.
- Zkontrolujte, zda je baterie v ručním ovládní nabitá.
- Zkontrolujte, zda je vřetenovitá noha zcela vsunutá.
- Při zvedání komponentů vanového zvedáku nezapomeňte správně hodnotit hmotnosti – viz část 9.1 Rozměry a hmotnost, strana 279
- Pokud má vana ruční madla, použijte zařízení na odklonění bočních klapek (k dispozici jako příslušenství).
- Ohněte boční klapky směrem ven a až poté zvedněte opěradlo.



1. Sedadlo **B** umístěte na dno prázdné vany. Ujistěte se, že upínací prvek vřetenovité nohy **C** směřuje ke konci vany naproti výpusti **A**.



2. Ohněte boční klapky sedadla směrem ven.



3. Umístěte opěradlo **A** (bez ručního ovladače) na sedadlo tak, aby se háčky **B** na opěradle zachytily do pantů **C** desky sedadla **D**.



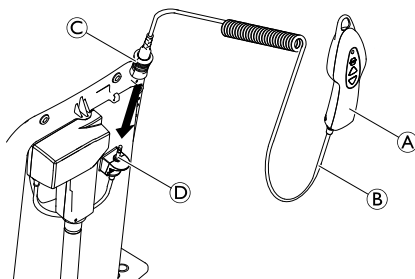
### **DŮLEŽITÉ!**

#### **Nebezpečí poškození**

Poškození produktu způsobené vyklouznutím vřetenovité nohy.

- Před složením opěradla ověřte, zda je vřeteno zcela zasunuté a zda je jeho patka rovná a nepřetočená.
- Po narovnání opěradla se ujistěte, že je vřetenovitá noha uchycena v upínacím prvku vřetenovité nohy.

4. Uchopte opěradlo ve středu horní části a opatrně je zvedněte do koncové polohy.



5. Do kolíkové zásuvky s odjišťovacím pláštěm © na spirálním kabelu © ručního ovladače © zasuňte kolíkový konektor ©, zajišťovací mechanismus se musí jasně uzavřít.



### DŮLEŽITÉ!

#### Nebezpečí poškození

- Ujistěte se, že se opěradlo nedotýká okraje vany.
- V případě potřeby přesuňte vanový zvedák blíže k přední části vany.

## 3.4 Nabíjení baterie

Zvedač do vany nelze během nabíjení baterie používat.



### VAROVÁNÍ!

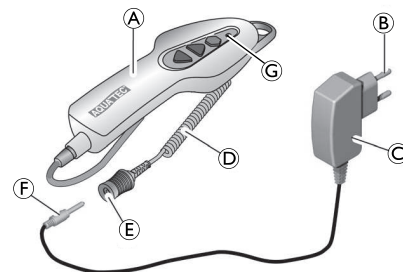
#### Riziko poranění elektrickým proudem

- Baterii dobíjejte pouze v suchých místnostech při pokojové teplotě (15 až 25 °C). Nikdy ji nedobíjejte v koupelně.



### DŮLEŽITÉ!

- K nabíjení baterie ručního ovladače používejte pouze dodanou nabíječku.
- Nabíječku připojte k elektrické síti pouze tehdy, pokud je k nabíječce připojen ruční ovladač.
- Ujistěte se, že specifikace napětí uváděné na nabíječce odpovídají specifikacím elektrické sítě.



1. Zasuňte kolíkový konektor © nabíječky © do kolíkové zásuvky © na spirálním kabelu © ručního ovladače © tak, aby se zařízení spojila.
2. Vložte napájecí konektor © nabíječky do elektrické zásuvky.



Červená kontrolka © na ručním ovladači přestane po úplném nabití baterie svítit. Baterii nelze „přebíjet“.

3. Odpojte nabíječku od elektrického napájení.
4. Vytáhněte kolíkový konektor nabíječky z kolíkové zásuvky ručního ovladače.

## 4 Použití

### 4.1 Bezpečnostní informace



#### UPOZORNĚNÍ!

Přetížení zvedače do vany může vést k poškození zařízení nebo bránit zvednutí.

- Zvedač do vany nepřetěžujte a dodržujte specifikace na identifikačním štítku a v části 9.1 Rozměry a hmotnost, strana 279 kde je uvedena nosnost zařízení.



#### UPOZORNĚNÍ!

#### Nebezpečí přiskřípnutí prstů

- Nevkládejte prsty do vodiče mezi deskou sedadla a opěradlem.
- Nesahejte pod sedákovou desku ani mezi zdvihací nůžky.



#### DŮLEŽITÉ!

Do poškozeného ručního ovladače může proniknout vlhkost, která může způsobit vznik zkratu nebo požáru.

- Před každým použitím výrobek vizuálně zkontrolujte z hlediska vnějšího poškození.
- Pokud je plášť ručního ovladače poškozený nebo obsahuje trhliny, nepoužívejte ruční ovladač.
- Před každým použitím zcela dobijte baterii, 3.4 Nabíjení baterie, strana 267

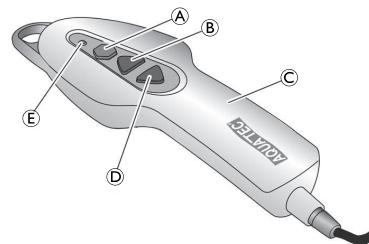
1. Prostudujte si provozní podmínky v části 9.4 Parametry prostředí, strana 280

### 4.2 Ovládání zvedače do vany

Zvedač do vany lze posouvat následujícími směry:



Zvedač do vany se ovládá pomocí ručního ovladače.




#### DŮLEŽITÉ!

#### Nebezpečí poškození

- Ruční ovladač lze používat, pouze pokud je opěradlo správně nainstalováno a v přímé poloze.

**! DŮLEŽITÉ!**

Pokud není baterie v ručním ovladači © dostatečně nabitá, červená kontrolka ⑤ se rozsvítí při stisknutí tlačítka Down (Dolů) ④. V takovém případě jsou deaktivovány funkce snižování polohy zvedáče do vany. Zvedáč však pořád můžete přesouvat do vyšší polohy.  
– Po zvednutí ihned dobijte baterii.

 S plně nabitou baterií je schopen systém Orca a Orca F provést 5 koupání se zátěží 140 kg. Orca XL může provést 4 koupání se zátěží 170 kg.

**Zdvihání zvedáče do vany****! DŮLEŽITÉ!**

Pokud snížíte polohu opěradla, přesune se nejprve do přímé pozice (ne u modelu Orca F).

1. Stiskněte tlačítko Up (Nahoru) ⑥ na ručním ovladači a držte je stisknuté. Opěradlo se přesune do vzpřímené polohy nebo se sedadlo pohne směrem nahoru.
2. Uvolněte tlačítko Up (Nahoru) na ručním ovladači. Zvedáč do vany se zastaví v aktuální poloze.

**Snižování zvedáče do vany****! DŮLEŽITÉ!**

Pokud se sedadlo již nachází ve spodní poloze, opěradlo se ohne dozadu (ne u modelu Orca F).


1. Stiskněte tlačítko Down (Dolů) ④ na ručním ovladači a držte je stisknuté. Sedadlo se posune směrem dolů nebo se opěradlo sklopí dozadu.
2. Uvolněte tlačítko Down (Dolů) na ručním ovladači. Zvedáč do vany se zastaví v aktuální poloze.

**Tlačítko nouzového vypnutí****! DŮLEŽITÉ!**

Tlačítko nouzového vypnutí ⑦ stiskněte, pouze pokud se po uvolnění tlačítka Up (nahoru) nebo Down (Dolů) zařízení ihned nezastaví. Zvedáč do vany se přestane ihned pohybovat a rozsvítí se červená kontrolka integrovaná na ručním ovladači.

Pokud po uvolnění tlačítka nouzového vypnutí přestane svítit červená kontrolka, došlo k nápravě chyby (např. tlačítko bylo opět uvolněné). Zařízení je opět připravené k použití.

Pokud po uvolnění tlačítka nouzového vypnutí červená kontrolka svítit nepřestane, chyba ještě nebyla napravena. Zařízení není připraveno k použití a je nutno je opravit (např. v případě poškození elektronických součástí).

 V případě potřeby se obraťte na svého specializovaného prodejce.

### 4.3 Koupání



#### **VAROVÁNÍ!**

##### **Nebezpečí uklouznutí**

Pokud nejsou přísavky dostatečně připevněny, zvedač do vany může podklouznout.

- Před použitím zvedače do vany se ujistěte, že je umístěn bezpečně a nepřevrhne se.
- Zkontrolujte, zda je zvedač ve vaně správně sestaven dle popisu v části 3.3 Sestavení zvedače do vany, strana 264



#### **VAROVÁNÍ!**

- Pokud se kvůli svému stavu nemůžete koupat sami, zařízení používejte pod dohledem.
- Pokud zařízení používáte bez dohledu, je třeba pro případ nepředvídatelných událostí (např. závad) mít nablízku poplašný systém nebo telefon.



#### **UPOZORNĚNÍ!**

Koupelové oleje nebo soli mohou narušit funkčnost zvedacího kloubu.

- Pokud používáte takové přísady do koupele, nepřekračujte doporučovanou dávku.




#### **DŮLEŽITÉ!**

- Posuňte prázdný zvedač nahoru a poté opět dolů (test chodu).
- Před použitím zkontrolujte teplotu vody ve vaně.

1. Stiskněte a podržte tlačítko Up (Nahoru) Ⓑ, dokud není sedadlo v jedné rovině s okrajem vany.
2. Ujistěte se, že jsou boční klapky ve stejné úrovni jako sedadlo a opírají se o okraj vany.
3. Naplňte vanu vodou.
4. Sedněte si na nejbližší boční klapku podobným způsobem jako na stoličku.
5. Posouvejte se směrem dozadu, dokud nebudete sedět uprostřed sedadla.
6. Otočte se do polohy ke koupání – přes okraj vany zvedněte jednu nohu a poté i druhou.
7. Jakmile budete sedět správně, stiskněte tlačítko Down (Dolů) Ⓒ a podržte je – sedadlo se spustí do vany.



Jakmile sedadlo dosáhne nejnižší polohy, lze sklopit opěradlo dalším podržením tlačítka Down (Dolů) Ⓒ. Tím se zajišťuje pohodlnější poloha při koupání a hlubší ponoření do vody (ne u modelu Orca F).

8. Držte tlačítko Down (Dolů) stisknuté, dokud se opěradlo nedostane do požadované polohy.
-  Při zvedání z vany postupujte podle těchto kroků v opačném pořadí.
9. Opěradlo nebo zvedač do vany zvýšíte stisknutím a podržením tlačítka Up (Nahoru) Ⓑ, dokud se nedostane do požadované polohy.



#### **DŮLEŽITÉ!**

- Pokud vanový zvedák nepoužíváte, odpojte ruční ovladač od zařízení. Informace naleznete v části 5.2 Demontáž zvedače do vany, strana 272 v kroku 3.

## 5 Přesun

### 5.1 Bezpečnostní informace



#### UPOZORNĚNÍ!

Opěradlo není ve složeném systému na sedadle zajištěno a lze je odebrat.

- Při přepravě zvedáče do vany nesnímejte přísavky.
- Před přepravou odpojte ruční ovladač z opěradla.
- Informace o podmínkách během přepravy a skladování naleznete v části 9.4 Parametry prostředí, strana 280

1. Odpojte ruční ovladač.
2. Rozložte zvedáč do vany na dvě části, které lze přepravovat (sedadlo a opěradlo). Viz část 5.2 Demontáž zvedáče do vany, strana 272

### 5.2 Demontáž zvedáče do vany

1. Vypusťte vodu z vany.
2. Pomocí tlačítka Down (Dolů) posunujte zvedáč dolů, dokud se opěradlo nezastaví v nejnižší poloze. Viz část 4.2 Ovládání zvedáče do vany, strana 269

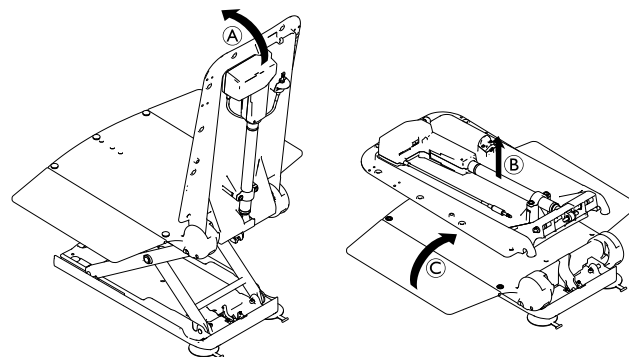
3. Odjistěte kolíkovou zásuvku na spirálním kabelu ručního ovladače tak, že zvednete zajišťovací plášť, a poté z ní vytáhněte kolíkový konektor.



#### DŮLEŽITÉ!

#### Nebezpečí poškození

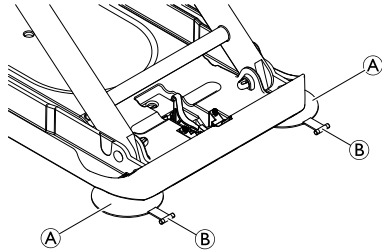
- Při sklápění opěradla zkontrolujte, zda se neskřípl spirální kabel ručního ovladače.
- Opěradlo nesklápějte, pokud se ve vaně nachází voda.



4. Jednou rukou uchopte opěradlo na horním konci a ohněte je vpřed do koncové polohy **A**.
5. Vytáhněte opěradlo ze sedadla a ven z vany **B**.



6. Ohněte boční klapky sedadla směrem dovnitř ©.



**DŮLEŽITÉ!**

– Obě zadní přísavky uvolněte najednou.

7. Uvolněte zadní přísavku ① zatažením za její úchyt ②.  
8. Zdvihněte zadní část sedadla ještě výš. Tím se uvolní přední přísavky.



**DŮLEŽITÉ!**

– Pokud byly nainstalovány výškové adaptéry (volitelné), musíte uvolnit také přední přísavky zatažením za jejich úchyty.

9. Zvedněte sedadlo z vany.  
10. Opatrně uložte všechny součásti zvedače do vany.

## 6 Údržba

### 6.1 Údržba a obsluha

Pokud budou dodržovány uvedené pokyny pro čištění a bezpečnost, bude údržba výrobku prováděna zdarma.

#### ! DŮLEŽITÉ!

Ruční ovladač smí otevřít pouze výrobce vanového zvedáku.

1. Pravidelně výrobek kontrolujte, abyste odhalili případné poškození a ujistili se, že je bezpečně sestaven.
2. V případě poškození a/nebo pokud je nutné výrobek opravit, okamžitě kontaktujte prodejce.
3. Vanový zvedák musí před každým opakovaným použitím zkontrolovat autorizovaný prodejce. Doporučuje se provést kontrolu vanového zvedáku nejpozději po 24 měsících (v souladu s normou EN ISO 10535).
4. Pokud se vanový zvedák delší dobu nepoužíval, nejprve plně nabijte baterii a pak nezátížený vanový zvedák 3krát posuňte vzhůru a dolů. Tento proces opakujte každé 3 měsíce, abyste zachovali dobu životnosti baterie.

### 6.2 Čištění a dezinfekce

Výrobek lze čistit a dezinfikovat pomocí komerčně dostupných čisticích prostředků.

1. Výrobek dezinfikujte tak, že nejprve dezinfekčním prostředkem otřete všechny přístupné povrchy (pokud je to možné, nejprve výrobek rozmontujte).

#### ! DŮLEŽITÉ!

Všechny používané čisticí a dezinfekční prostředky spolu musejí být účinné, kompatibilní a musejí chránit materiály, které čistí.

- Další informace o dekontaminaci ve zdravotnickém prostředí naleznete v pokynech organizace „National Institute for Clinical Excellence“ pro prevenci šíření infekcí na adrese [www.nice.org.uk/CG139](http://www.nice.org.uk/CG139) a v místních nařízeních pro kontrolu šíření infekcí.
- Výrobek pravidelně ručně čistěte.
- Nepoužívejte abrazivní čisticí prostředky.

### Čištění sedadla a opěradla



#### UPOZORNĚNÍ!


##### Nebezpečí přiskřípnutí prstů

- Dávejte velký pozor při čištění oblasti u zvedacích nůžek, protože jejich případný pohyb by mohl způsobit zranění.

#### ! DŮLEŽITÉ!

##### Nebezpečí poškození

- Při čištění opěradla nikdy nepoužívejte vysokotlaký čistič.

1. Očistěte výrobek pomocí hadříku nebo kartáčku.
2. Opláchněte výrobek teplou vodou.
3. Osušte ho hadříkem.
4. Opatrně promažte objímku pro kluznici (obr. v odst. 3.1, ) pomocí vazelíny.

## Čištění potahů (volitelné)



Doporučujeme vyprat potahy před prvním použitím. Z hygienických důvodů se doporučuje čistit potahy pravidelně a jednou za rok je vyměnit.

1. Odepněte potah ze sedadla a opěradla.
2. Potahy perte v pračce s jemným pracím prostředkem při maximální teplotě 60 °C.



### **DŮLEŽITÉ!**

#### **Nebezpečí poškození**

- Praní při vysokých teplotách může vést k tomu, že se potahy srazí.
- Potahy nesušte v bubnové sušičce.

## Čištění nabíječky, baterie a ručního ovladače



### **VAROVÁNÍ!**

#### **Riziko elektrošoku**

- Před čištěním nabíječky vždy odpojte zástrčku z elektrické zásuvky.
- Do zdířky pro konektor ručního ovladače nikdy nevkládejte předměty z vodivých materiálů (např. pletací jehlice nebo kovové špendlíky).
- Při čištění nabíječky nikdy nepoužívejte mokry ani vlhký hadřík.

1. Nabíječku očistěte suchým hadříkem.
2. Očistěte ruční ovladač vlhkým hadříkem a osušte ho suchým hadříkem.

## 7 Po použití

### 7.1 Skladování



#### **DŮLEŽITÉ!**

#### **Nebezpečí poškození**

- Produkt neskladujte v blízkosti zdrojů tepla.
- Nevystavujte produkt přímému slunečnímu světlu.
- Informace o podmínkách během přepravy a skladování naleznete v části 9.4 Parametry prostředí, strana 280

### 7.2 Opakované použití

Produkt je možné používat opětovně. Počet opětovných použití závisí na frekvenci a způsobu použití produktu. Před opětovným použitím by produkt měl podstoupit hygienickou přípravu (→ 6.2 Čištění a dezinfekce, strana 274) a kontrolu, zda je ve vhodném a bezpečném provozním stavu. V případě potřeby jej nechte opravit.

### 7.3 Likvidace

Likvidaci a recyklaci použitých produktů a balení je nutné provádět v souladu s platnými zákonnými předpisy.



#### **VAROVÁNÍ!**

- Ruční ovladač nikdy neházejte do ohně ani jej neskladujte v blízkosti otevřeného ohně.

Povinnost informovat v souladu s německým předpisem pro baterie, BattG:

Součástí tohoto produktu je dobíjecí lithium-iontová baterie. Vybité baterie nebo baterie, které již nelze dobíjet, se nesmí vyhazovat do domácího odpadu. Staré baterie mohou obsahovat látky nebezpečné pro životní prostředí a veřejné zdraví.

Takové baterie je potřeba vrátit vašemu prodejci nebo zanést do místní sběrný. Jejich vrácení je bezplatné a vyžadované zákonem.

Vybité baterie vyhazujte pouze do určených kontejnerů, póly lithiových baterií je nutné zakrýt.

## 8 Odstraňování potíží

### 8.1 Rozpoznávání a oprava závad



V následující tabulce jsou uvedeny informace o poruchách a jejich možných příčinách. Pokud nelze poruchu napravit uvedenými nápravnými postupy, obraťte se přímo na svého specializovaného prodejce.

Závada	Možná příčina	Náprava
Není slyšet zvuk motoru / zvedač se nepohybuje.	Kolíková zásuvka ručního ovladače není správně zajištěna.	Zajistěte kolíkovou zásuvku, → 3.3 Sestavení zvedače do vany, strana 264 krok 5.
	Baterie je vybitá.	Baterii zcela dobijte, → 3.4 Nabíjení baterie, strana 267.
	Kontakty jsou znečištěné.	Vyčistěte konektor na opěradle, → v případě potřeby se obraťte na svého specializovaného prodejce.
	Kabel je rozdrcen/zničen.	Vyměňte ruční ovladač, → v případě potřeby se obraťte na svého specializovaného prodejce.
Polohu zvedače lze zvýšit, ne však snížit.	Je aktivovaná nízkonapěťová ochrana.	Baterii zcela dobijte, → 3.4 Nabíjení baterie, strana 267.
Zvedač se během zdvihání zastaví.	Nadměrná zátěž.	Dodržujte maximální zátěž, → 9.1 Rozměry a hmotnost, strana 279
Zvedač do vany bezpečně nepřilne k vaně.	Přísavky jsou staré nebo poškozené.	Vyměňte přísavky, → v případě potřeby se obraťte na svého specializovaného prodejce.
Baterie se nenabíjí a během nabíjení bliká červená kontrolka.	Vadná elektronika.	Nechte ruční ovladač zkontrolovat u autorizovaného prodejce.
	Vadná baterie.	Vyměňte ruční ovladač.

<b>Závada</b>	<b>Možná příčina</b>	<b>Náprava</b>
	Vadná nabíječka.	Nechte nabíječku zkontrolovat u autorizovaného dodavatele.
	Baterie je horká.	Nenabíjejte ruční ovladač v blízkosti zdrojů tepla, např. topných těles, či na přímém slunečním světle. Nabíjení bude automaticky pokračovat po poklesnutí teploty do povoleného rozmezí.

## 9 Technické údaje

### 9.1 Rozměry a hmotnost

Celková délka v nejnižší poloze	920 mm
Celková délka v nejvyšší poloze	650 mm
Celková výška v nejvyšší poloze	1075 mm
Délka sedadla	590 mm
Šířka sedadla s odklopenými bočními klapkami	715 mm
Šířka sedadla s přiklopenými bočními klapkami	390 mm
Výška sedadla v nejnižší poloze	60 mm
Výška sedadla v nejvyšší poloze	420 mm
Šířka opěradla	360 mm
Minimální úhel opěradla	8°
Šířka základní desky	295 mm
Maximální zátěž (ORCA / ORCA F) Maximální zátěž (ORCA XL)	140 kg 170 kg
Celková hmotnost bez ručního ovladače (ORCA) (ORCA F) (ORCA XL)	10,8 kg 11,4 kg 11,6 kg

Hmotnost sedadla (ORCA) (ORCA F) (ORCA XL)	6,6 kg 7,2 kg 7,4 kg
Hmotnost opěradla (ORCA / ORCA F / ORCA XL)	4,2 kg
Hmotnost ručního ovladače	0,4 kg
Hmotnost nabíječky	0,1 kg

### 9.2 Elektronické údaje

Síla potřebná ke stisknutí tlačítek ručního ovladače	< 5 N
Provozní napětí ručního ovladače <sup>1)</sup>	10.8 V stejnoseměrné / 14 V stejnoseměrné
Nominální příkon <sup>1)</sup>	43 VA / 56 VA
Nominální proud	4 A
Typ baterie	Lithium-iontová
Příkon nabíječky	100 - 240 V střídavé, 50 - 60 Hz
Výkon nabíječky	24 V stejnoseměrné, 135 mA, 3 VA

Doba nabíjení od varování nízkého napětí	přibližně 4,5 hodiny
Typ ochrany, jednotka	IP X6 W <sup>2)</sup>
Třída ochrany, ruční ovladač	IP 67 <sup>3)</sup>
Třída ochrany, celé zařízení	IP X6 <sup>4)</sup>
Úroveň hlučnosti	52 dB(A)

<sup>1)</sup> 10,8 V stejnosměrné / 43 VA platí při použití ručních ovladačů s napětím 10,8 V, jak je uvedeno na zadní straně ručního ovladače.

14 V stejnosměrné / 56 VA platí při použití ručních ovladačů s napětím 14 V, jak je uvedeno na zadní straně ručního ovladače.

<sup>2)</sup> Chráněné proti vniknutí vody i v případě silného proudu vody, testováno za stanovených okolních podmínek.

<sup>3)</sup> Odolné proti prachu a chráněné proti vniknutí vody během dočasného ponoření.

<sup>4)</sup> Chráněné proti vniknutí vody i v případě silného proudu vody.

### 9.3 Materiály

Opěradlo	PPGF
Deska sedadla	PPGF
Potahy	PVC



Všechny použité materiály jsou odolné vůči korozi a neobsahují latex.

### 9.4 Parametry prostředí

Provozní podmínky	
Okolní teplota	10–40 °C
Relativní vlhkost	15 % – 93 %, nekondenzující
Atmosférický tlak	795–1 060 hPa
Podmínky při uskladnění a přepravě	
Okolní teplota	0–40 °C
Relativní vlhkost	30 % – 75 %, nekondenzující
Atmosférický tlak	795–1 060 hPa









## Invacare® distributors

### Belgium & Luxemburg:

Invacare nv  
Autobaan 22  
B-8210 Loppem  
Tel: (32) (0)50 83 10 10  
Fax: (32) (0)50 83 10 11  
belgium@invacare.com  
www.invacare.be

### Danmark:

Invacare A/S  
Sdr. Ringvej 37  
DK-2605 Brøndby  
Tel: (45) (0)36 90 00 00  
Fax: (45) (0)36 90 00 01  
denmark@invacare.com  
www.invacare.dk

### Deutschland:

Invacare GmbH,  
Alemannenstraße 10  
D-88316 Isny  
Tel: (49) (0)7562 700 0  
Fax: (49) (0)7562 700 16  
kontakt@invacare.com  
www.invacare.de

### Eastern Europe, Middle East & CIS:

Invacare EU Export  
Kleiststraße 49  
D-32457 Porta Westfalica /  
Germany  
Tel: (49) (0)57 31 754 540  
Fax: (49) (0)57 31 754 541  
webinfo-eu-export@invacare.com  
www.invacare-eu-export.com

### España:

Invacare SA  
c/Areny s/n, Polígono Industrial de  
Celrà  
E-17460 Celrà (Girona)  
Tel: (34) (0)972 49 32 00  
Fax: (34) (0)972 49 32 20  
contactsp@invacare.com  
www.invacare.es

### France:

Invacare Poirier SAS  
Route de St Roch  
F-37230 Fondettes  
Tel: (33) (0)2 47 62 64 66  
Fax: (33) (0)2 47 42 12 24  
contactfr@invacare.com  
www.invacare.fr

### Ireland:

Invacare Ireland Ltd,  
Unit 5 Seatown Business Campus  
Seatown Road, Swords, County  
Dublin  
Tel : (353) 1 810 7084  
Fax: (353) 1 810 7085  
ireland@invacare.com  
www.invacare.ie

### Italia:

Invacare Mecc San s.r.l.,  
Via dei Pini 62,  
I-36016 Thiene (VI)  
Tel: (39) 0445 38 00 59  
Fax: (39) 0445 38 00 34  
italia@invacare.com  
www.invacare.it

### Nederland:

Invacare BV  
Galvanistraat 14-3  
NL-6716 AE Ede  
Tel: (31) (0)318 695 757  
Fax: (31) (0)318 695 758  
nederland@invacare.com  
www.invacare.nl

### Norge:

Invacare AS  
Grensesvingen 9, Postboks 6230,  
Etterstad  
N-0603 Oslo  
Tel: (47) (0)22 57 95 00  
Fax: (47) (0)22 57 95 01  
norway@invacare.com  
www.invacare.no

### Österreich:

Invacare Austria GmbH  
Herzog Odilostrasse 101  
A-5310 Mondsee  
Tel: (43) 6232 5535 0  
Fax: (43) 6232 5535 4  
info-austria@invacare.com  
www.invacare.at

### Portugal:

Invacare Lda  
Rua Estrada Velha, 949  
P-4465-784 Leça do Balio  
Tel: (351) (0)225 1059 46/47  
Fax: (351) (0)225 1057 39  
portugal@invacare.com  
www.invacare.pt

### United Kingdom:

Invacare Limited  
Pencoed Technology Park, Pencoed  
Bridgend CF35 5AQ  
Tel: (44) (0) 1656 776 222  
Fax: (44) (0) 1656 776 220  
uk@invacare.com  
www.invacare.co.uk

### Schweiz / Suisse / Svizzera:

Invacare AG  
Benkenstrasse 260  
CH-4108 Witterswil  
Tel: (41) (0)61 487 70 80  
Fax: (41) (0)61 487 70 81  
switzerland@invacare.com  
www.invacare.ch

### New Zealand:

Invacare New Zealand Ltd  
4 Westfield Place, Mt Wellington  
1060  
New Zealand  
Phone: 0800 468 222  
Fax: 0800 807 788  
sales@invacare.co.nz  
www.invacare.co.nz

### Sverige:

Invacare AB  
Fagerstagatan 9  
S-163 53 Spånga  
Tel: (46) (0)8 761 70 90  
Fax: (46) (0)8 761 81 08  
sweden@invacare.com  
www.invacare.se

### Australia:

Invacare Australia PTY. Ltd.  
1 Lenton Place, North Rocks NSW  
2151  
Australia  
Phone: 1800 460 460  
Fax: 1800 814 367  
orders@invacare.com.au  
www.invacare.com.au



Aquatec Operations GmbH  
Alemannenstrasse 10  
D-88316 Isny  
Germany

1574469-B 2017-03-13



**Making Life's Experiences Possible®**

**AQUATEC®**



**Yes, you can.®**