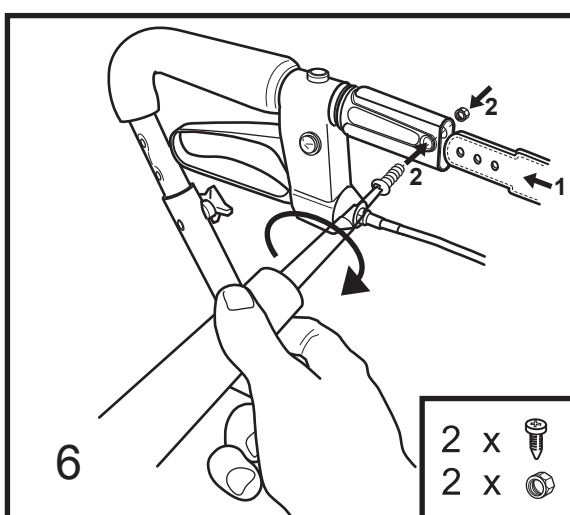
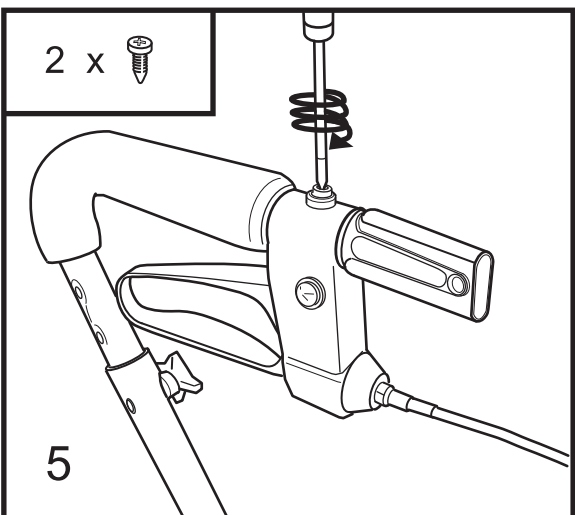
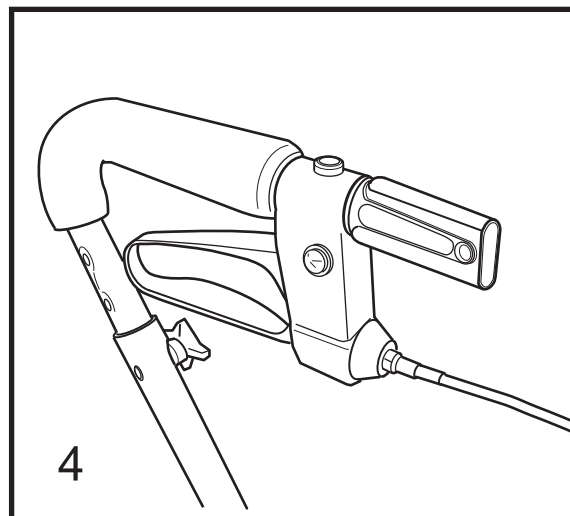
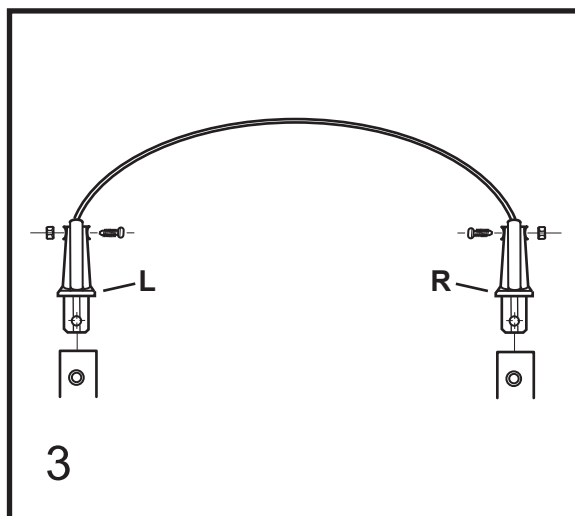
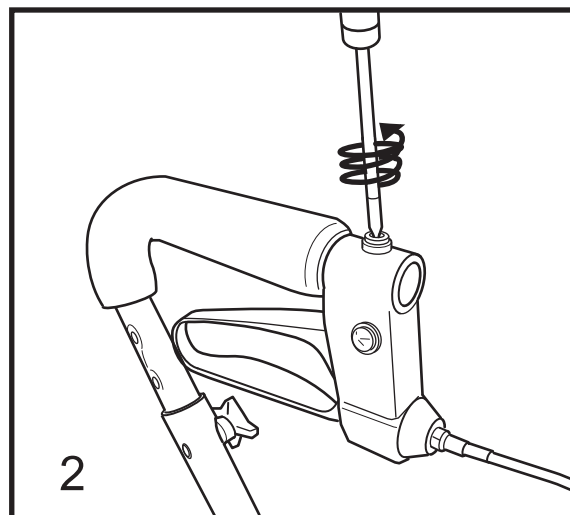
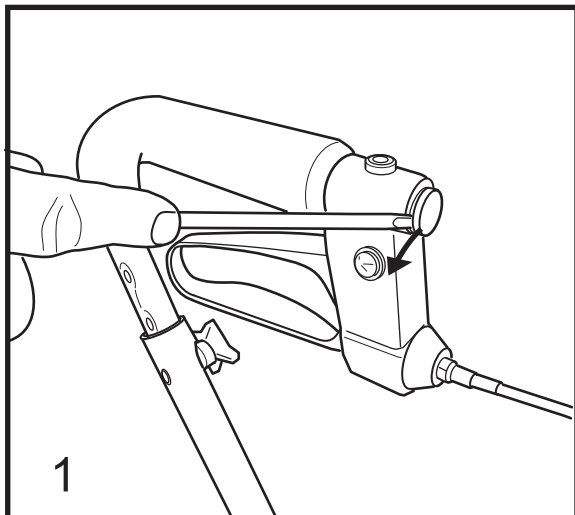


**RYGGBAND
BACKREST
RÜCKENGURT
DOSSIER**

Art no
12510, 12510-DHCP **DOLOMITE LEGACY LITE, DOLOMITE AMIGO**
12605, 12605-DHCP **DOLOMITE MAXI +**

Monteringsanvisning / Assembly instructions / Montageanleitung / Instructions de Montage



International Headquarters:
DOLOMITE AB
V.Götgatan 5
SE-334 32 ANDERSTORP
Sweden
TEL +46 371 58 84 00
FAX +46 371 170 90
www.dolomite.se
e-mail: info@dolomite.se

Clarke Health Care, Inc
1003 International drive
Oakdale PA 15071-9226
USA
TEL: (+001) 724 695 2122
FAX: (+001) 724 695 2922

Invacare Canada Inc.
570 Matheson Blvd. E, Unit #8
Mississauga, Ontario
L4Z 4G4 CANADA
TEL +905-890-8300
FAX +905-890-5244