

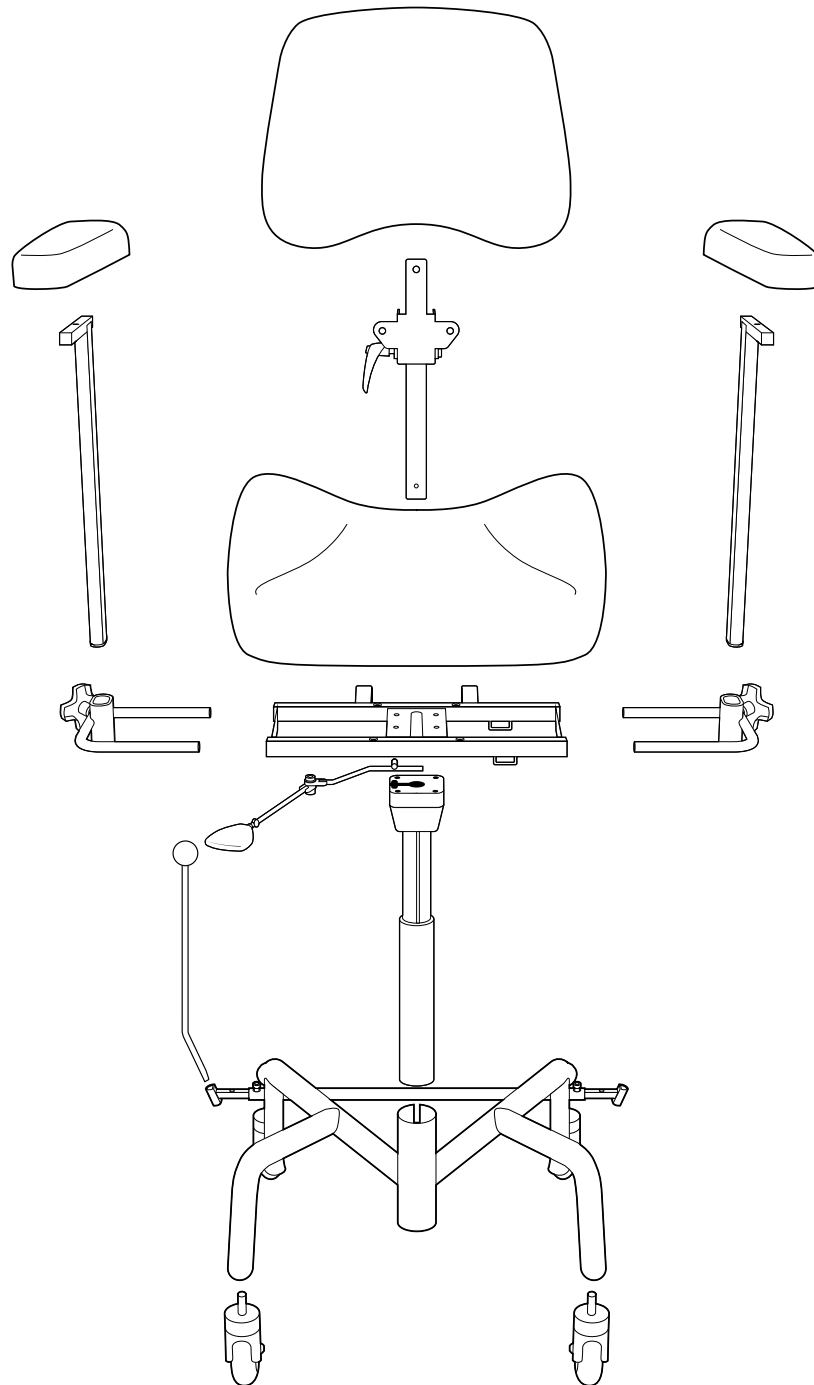


REAL® 9000 PLUS 24V 1G - SPRÄNGSKISS
REAL® 9000 PLUS 24V 1G - EXPLODED DIAGRAM

Artikelnr/Article no 804623
Ändrad/Changed 1712
Giltig från/Valid from 1601



VERSION 002



Mercado Medic AB
Tryffelslingan 14
181 57 Lidingö

Telefon & Fax
Tel 08 555 143 00
Fax 08 555 143 99

Email & Internet
Email info@mercado.se
Internet www.mercado.se

Innehållsförteckning

Table of content

Detalj <i>Detail</i>	Sida <i>Page</i>
KLÄDSLAR OCH FÄRGKODER/UPHOLSTERY AND COLOUR CODES	3
SITTPLATTA/SEAT	4
SITTKRYSS/SEAT FRAME	10
REGLAGE/CONTROLS	13
LYFTOMATER/LIFTOMATS	15
RYGGPLATTA/BACKREST	17
RYGGMEKANISM/BACKREST MECHANISM	24
ARMSTÖD/ARMRESTS	29
ARMSTÖDSMEKANISMER/ARMREST MECHANISMS	30
STATIV OCH BROMSAR/BASE AND BRAKES	31
HJUL/CASTORS	33
MANÖVERBOX/REMOTE	35
LADDBOX/CHARGERBOX	37

FÖRKLARING AV SYMBOLER

EXPLANATION OF THE SYMBOLS

Artikel för REAL 9000 PLUS VUXEN
Article for REAL 9000 PLUS ADULT

Artikel för REAL 9000 PLUS BARN
Article for REAL 9000 PLUS CHILD

Artikel för REAL 9000 PLUS MINI
Article for REAL 9000 PLUS MINI

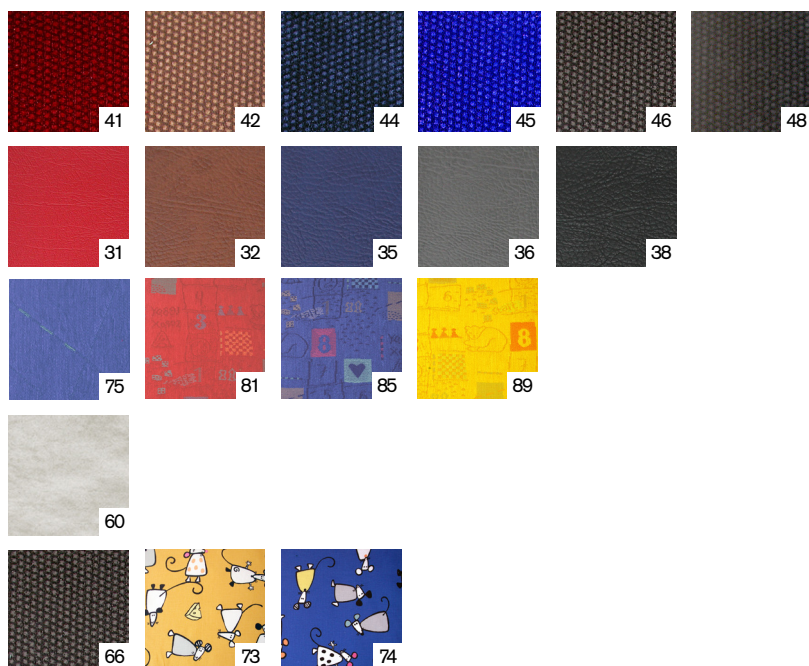
Artikel för alla REAL 9000 PLUS
Article for all REAL 9000 PLUS



Stativförlängare måste användas
Base extension must be applied

Klädselar och färgkoder

Clothing and colour codes



SIFFERKOD KLÄDSLAR (SIFFRA 7 OCH 8) DIGITCODE UPHOLSTERY (DIGIT 7 AND 8)

Plysch/Plush

41 Vinröd/Bordeaux 42 Brun/Brown 44 Marin/Navy Blue
45 Realblå/Royal blue 46 Grå/Grey 48 Svart/Black

Konstläder/Skai

31 Röd/Red 32 Brun/Brown 35 Blå/Blue
36 Grå/Grey 38 Svart/Black

Väv mönstrad Vuxen/Patterned fabric, Adult

75 Blå/75 Blue

Väv mönstrad Barn/Patterned fabric, Child

81 Röd/Red 85 Blå/Blue 89 Gul/Yellow

Alternativ klädsel/Alternative covering

60 Hygienväv/Hygiene fabric
95 Utan klädsel/Without clothing

Överdragsklädsel/Covering

66 Inkontinensöverdrag grå plastad frotté/
Incontinence cover, grey plastic-coated terry
73 Barn, Gul bomull/Child, Yellow cotton
74 Barn, Blå bomull/Child, Blue cotton

FÖRKLARING TILL STOPPDETALJERS ARTIKELNUMMER Art.nr: ST101546. = "Sits ErgoMedic, plysch grå 44x48 cm"

EXPLANATION OF THE ARTICLE NUMBERS STRUCTURE Article No: ST101546. = "ErgoMedic seat, plush grey 44x48 cm"

Siffror 1-2 = Typ av stoppningsartikel (ST=sits, BR=ryggplatta etc.)

Digit 1-2 = Type of upholstered article (1=seat, 2=back panel etc.)

Siffror 3-4 = Sittsystem (ErgoMedic, ErgoMedic PLUS etc.)

Digits 3-4 = Seat system (ErgoMedic, ErgoMedic PLUS etc.)

Siffror 5-6 = Storlek

Digit 5-6 = Size

Siffror 7 = Material (plysch, konstläder etc.)

Digit 7 = Material (plush, skai etc.)

Siffror 8 = Färg

Digit 8 = Colour

PREFIX FÖR UPPBYGGNADEN AV ARTIKELNUMMER

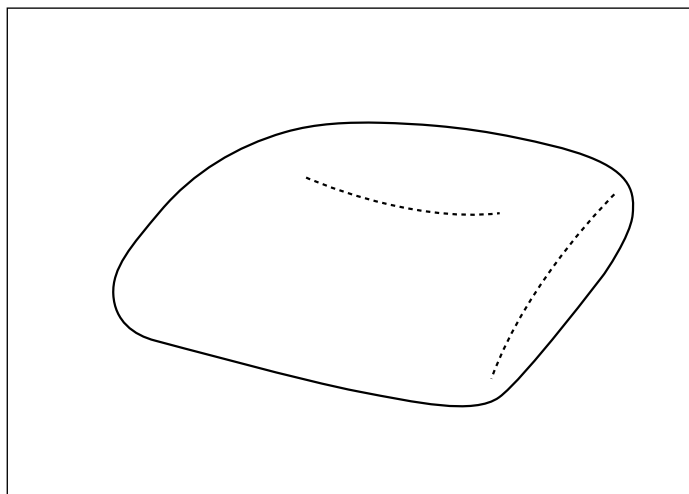
PREFIX FOR THE STRUCTURE OF THE ARTICLE NUMBER

AD	ADapter	Adapter	LD	Leg Divider	Grenkil
AR	ArmRest	Armstöd	LDC	Leg Divider Cover	Grenkil överdrag
ARM	ArmRest Mechanism	Armstödsmekanism	LS	Leg Support	Benstöd
AS	Amputation Support	Amputationsstöd	NS	Neck Support	Nackstöd
ASC	Amputation Support Cover	Amputationsstöds överdrag	NSC	Neck Support Cover	Nackstöd överdrag
BD	Brake Device	Handbroms	PB	Push Bar	Körbygel
BE	BasE	Stativ	RC	Rheumatic Cross	Reumatikerkryss
BEA	BrEak Accessory	Bromstillbehör	SA	Seat Angle Mechanism	Sitsvinkel
BEX	Base EXtender	Stativförlängare	SAR	Seat Angle Regulation	Sitsvinklings reglage
BR	Back Rest	Rygg	SAP	Seat Angle Placement	Sitsvinklings placering
BRC	Back Rest Cover	Rygg överdrag	SH	Seat Height	Sithöjd
BRM	Back Rest Mechanism	Ryggmekanism	SS	Side Support	Sidostöd
CS	Calf Support	Vadstöd	SSC	Side Support Cover	Sidostöds överdrag
CSC	Calf Support Cover	Vadstöds överdrag	ST	SeaT	Sits
FR	Foot Ring	Fotring	STC	SeaT Cover	Sits överdrag
HB	Hip Belt	Höftbälte	TA	Table	Bord
KS	Knee Support	Knästopp	TS	Trunk Support	Bälstöd
KSC	Knee Support Cover	Knästopps överdrag	TSC	Trunk Support Cover	Bälstöds överdrag
LB	Large Ball	Stor kula	WE	WhEel	Hjul

Stycklista - Sittplatta

Part list - Seat

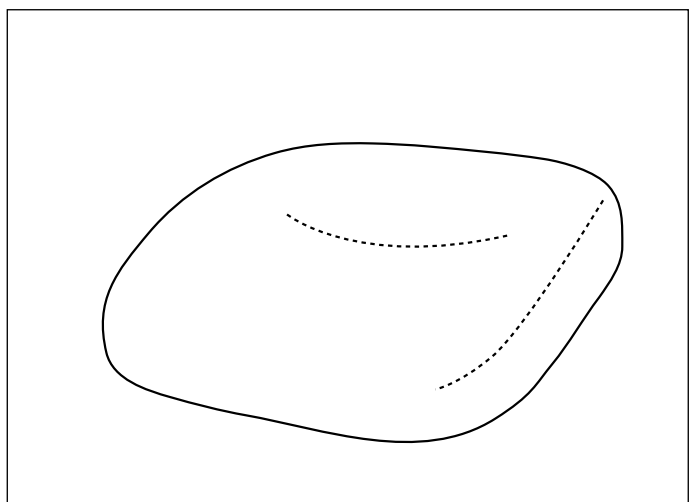
A01 Sits ErgoMedic
Seat ErgoMedic



Pos Art.nr Benämning
Pos Art.no Name

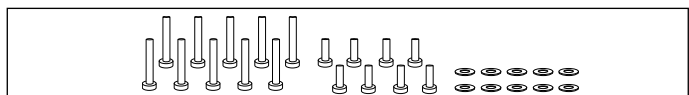
A01	1	ST100846	Sits ErgoMedic 48x53 Plysch Grå <i>Seat ErgoMedic 48x53 Plush Grey</i>
	2	ST101346	Sits ErgoMedic 44x53 Plysch Grå <i>Seat ErgoMedic 44x53 Plush Grey</i>
	3	ST101546	Sits ErgoMedic 44x48 Plysch Grå 150460 <i>Seat ErgoMedic 44x48 Plush Grey</i>
	4	ST101046	Sits ErgoMedic 48x48 Plysch Grå 150461 <i>Seat ErgoMedic 48x48 Plush Grey</i>
	5	ST102046	Sits ErgoMedic 44x43 Plysch Grå 150462 <i>Seat ErgoMedic 44x43 Plush Grey</i>
	6	ST102546	Sits ErgoMedic 40x48 Plysch Grå 150469 <i>Seat ErgoMedic 40x48 Plush Grey</i>
	7	ST103046	Sits ErgoMedic 40x43 Plysch Grå 150463 <i>Seat ErgoMedic 40x43 Plush Grey</i>
	8	ST103546	Sits ErgoMedic 40x39 Plysch Grå 150464 <i>Seat ErgoMedic 40x39 Plush Grey</i>
	9	ST104046	Sits ErgoMedic 36x43 Plysch Grå 150467 <i>Seat ErgoMedic 36x43 Plush Grey</i>
	10	ST104546	Sits ErgoMedic 36x39 Plysch Grå 150465 <i>Seat ErgoMedic 36x39 Plush Grey</i>
	11	ST105046	Sits ErgoMedic 33x35 Plysch Grå 150466 <i>Seat ErgoMedic 33x35 Plush Grey</i>
	12	ST105546	Sits ErgoMedic 29x32 Plysch Grå 150468 <i>Seat ErgoMedic 29x32 Plush Grey</i>

B01 Sits ErgoMedic Slow Recovery
Seat ErgoMedic Slow Recovery



B01	1	ST111546	Sits ErgoMedic Slow Recovery 44x48 Plysch Grå 155460 <i>Seat ErgoMedic Slow Recovery 44x48 Plush Grey</i>
	2	ST111046	Sits ErgoMedic Slow Recovery 48x48 Plysch Grå 155461 <i>Seat ErgoMedic Slow Recovery 48x48 Plush Grey</i>
	3	ST112046	Sits ErgoMedic Slow Recovery 44x43 Plysch Grå 155462 <i>Seat ErgoMedic Slow Recovery 44x43 Plush Grey</i>
	4	ST112546	Sits ErgoMedic Slow Recovery 40x48 Plysch Grå 155469 <i>Seat ErgoMedic Slow Recovery 40x48 Plush Grey</i>
	5	ST113046	Sits ErgoMedic Slow Recovery 40x43 Plysch Grå 155463 <i>Seat ErgoMedic Slow Recovery 40x43 Plush Grey</i>
	6	ST113546	Sits ErgoMedic Slow Recovery 40x39 Plysch Grå 155464 <i>Seat ErgoMedic Slow Recovery 40x39 Plush Grey</i>
	7	ST114046	Sits ErgoMedic Slow Recovery 36x43 Plysch Grå 155467 <i>Seat ErgoMedic Slow Recovery 36x43 Plush Grey</i>
	8	ST114546	Sits ErgoMedic Slow Recovery 36x39 Plysch Grå 155465 <i>Seat ErgoMedic Slow Recovery 36x39 Plush Grey</i>
	9	ST115046	Sits ErgoMedic Slow Recovery 33x35 Plysch Grå 155466 <i>Seat ErgoMedic Slow Recovery 33x35 Plush Grey</i>

C01

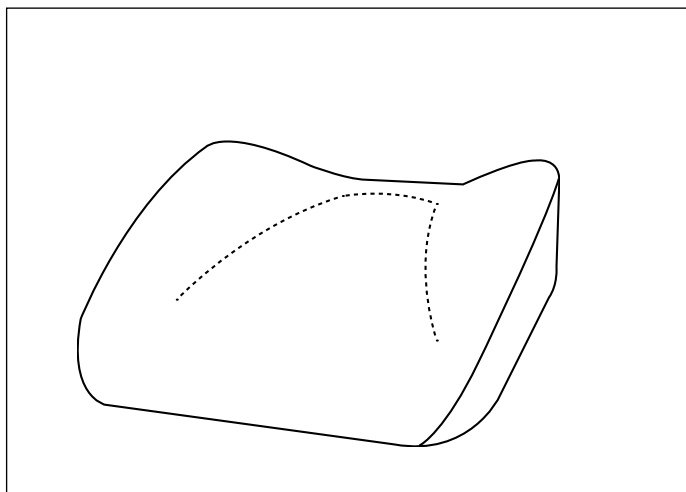


C01 **803269** Skruvsats f montering av sittplatta
Screw kit for seat assembly

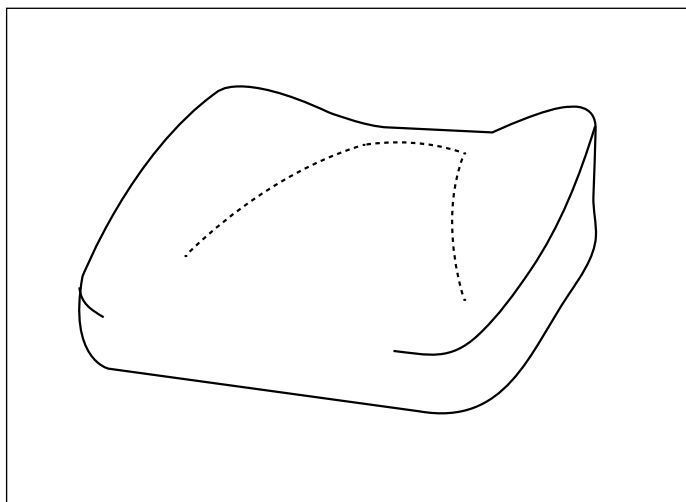
Stycklista - Sittplatta

Part list - Seat

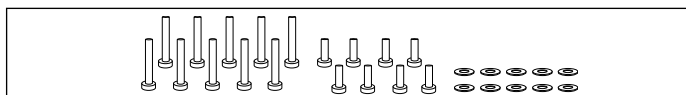
D01 Sits ErgoMedic PLUS
Seat ErgoMedic PLUS



E01 Sits ErgoMedic PLUS Slow Recovery
Seat ErgoMedic Slow Recovery



F01



Pos Art.nr Benämning
Pos Art.no Name

D01	1	ST200846	Sits ErgoMedic PLUS 48x53 Plysch Grå Seat ErgoMedic PLUS 48x53 Plush Grey
	2	ST201346	Sits ErgoMedic PLUS 44x53 Plysch Grå Seat ErgoMedic PLUS 44x53 Plush Grey
	3	ST201046 151461	Sits ErgoMedic PLUS 48x48 Plysch Grå Seat ErgoMedic PLUS 48x48 Plush Grey
	4	ST201546 151460	Sits ErgoMedic PLUS 44x48 Plysch Grå Seat ErgoMedic PLUS 44x48 Plush Grey
	5	ST202046 151462	Sits ErgoMedic PLUS 44x43 Plysch Grå Seat ErgoMedic PLUS 44x43 Plush Grey
	6	ST202546 151469	Sits ErgoMedic PLUS 40x48 Plysch Grå Seat ErgoMedic PLUS 40x48 Plush Grey
	7	ST203046 151463	Sits ErgoMedic PLUS 40x43 Plysch Grå Seat ErgoMedic PLUS 40x43 Plush Grey
	8	ST203546 151464	Sits ErgoMedic PLUS 40x39 Plysch Grå Seat ErgoMedic PLUS 40x39 Plush Grey
	9	ST204046 151467	Sits ErgoMedic PLUS 36x43 Plysch Grå Seat ErgoMedic PLUS 36x43 Plush Grey
	10	ST204546 151465	Sits ErgoMedic PLUS 36x39 Plysch Grå Seat ErgoMedic PLUS 36x39 Plush Grey
	11	ST205046 151466	Sits ErgoMedic PLUS 33x35 Plysch Grå Seat ErgoMedic PLUS 33x35 Plush Grey
	12	ST205546 151468	Sits ErgoMedic PLUS 29x32 Plysch Grå Seat ErgoMedic PLUS 29x32 Plush Grey

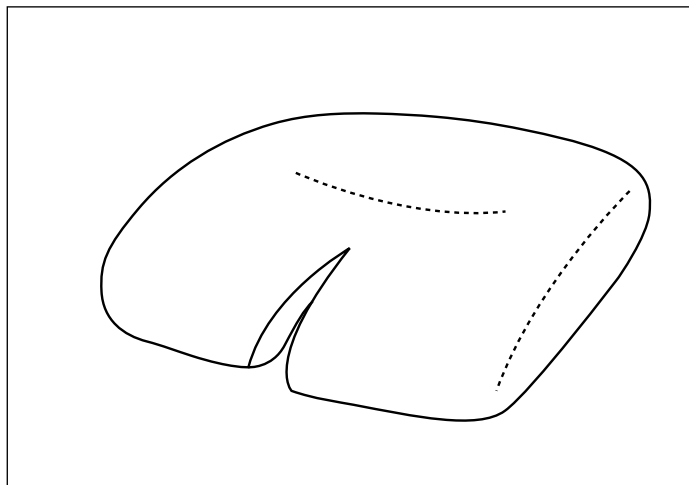
E01	1	ST210846	Sits EM PLUS Slow Recovery 48x53 Plysch Grå Seat ErgoMedic PLUS 48x53 Plush Grey
	2	ST211346	Sits EM PLUS Slow Recovery 44x53 Plysch Grå Seat ErgoMedic PLUS 44x53 Plush Grey
	3	ST211046 156461	Sits EM PLUS Slow Recovery 48x48 Plysch Grå Seat EM PLUS Slow Recovery 48x48 Plush Grey
	4	ST211546 156460	Sits EM PLUS Slow Recovery 44x48 Plysch Grå Seat EM PLUS Slow Recovery 44x48 Plush Grey
	5	ST212046 156462	Sits EM PLUS Slow Recovery 44x43 Plysch Grå Seat EM PLUS Slow Recovery 44x43 Plush Grey
	6	ST212546 156469	Sits EM PLUS Slow Recovery 40x48 Plysch Grå Seat EM Slow PLUS Recovery 40x48 Plush Grey
	7	ST213046 156463	Sits EM PLUS Slow Recovery 40x43 Plysch Grå Seat EM PLUS Slow Recovery 40x43 Plush Grey
	8	ST213546 156464	Sits EM PLUS Slow Recovery 40x39 Plysch Grå Seat EM PLUS Slow Recovery 40x39 Plush Grey
	9	ST214046 156467	Sits EM PLUS Slow Recovery 36x43 Plysch Grå Seat EM PLUS Slow Recovery 36x43 Plush Grey
	10	ST214546 156465	Sits EM PLUS Slow Recovery 36x39 Plysch Grå Seat EM PLUS Slow Recovery 36x39 Plush Grey
	11	ST215046 156466	Sits EM PLUS Slow Recovery 33x35 Plysch Grå Seat EM PLUS Slow Recovery 33x35 Plush Grey

F01 803269 Skruvsats f monterig av sittplatta
Screw kit for seat assembly

Stycklista - Sittplatta Coxit

Part list - Seat Coxit

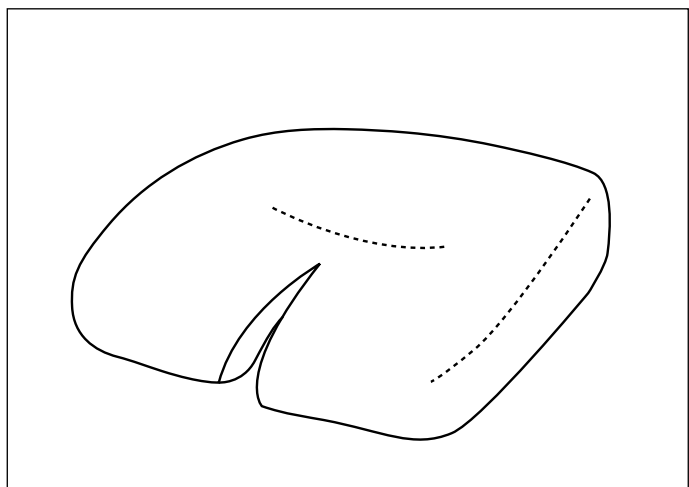
A01 Sits Coxit ErgoMedic
Seat Coxit ErgoMedic



Pos Art.nr Benämning
Pos Art.no Name

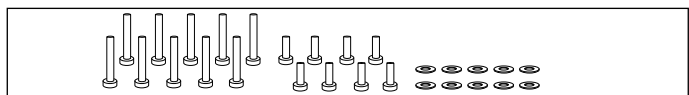
A01	1	ST131546 160460	Sits Coxit Int ErgoMedic 44x48 Plysch Grå Seat Coxit Int ErgoMedic 44x48 Plush Grey
	2	ST131046 160461	Sits Coxit Int ErgoMedic 48x48 Plysch Grå Seat Coxit Int ErgoMedic 48x48 Plush Grey
	3	ST132046 160462	Sits Coxit Int ErgoMedic 44x43 Plysch Grå Seat Coxit Int ErgoMedic 44x43 Plush Grey
	4	ST132546 160469	Sits Coxit Int ErgoMedic 40x48 Plysch Grå Seat Coxit Int ErgoMedic 40x48 Plush Grey
	5	ST133046 160463	Sits Coxit Int ErgoMedic 40x43 Plysch Grå Seat Coxit Int ErgoMedic 40x43 Plush Grey
	6	ST133546 160464	Sits Coxit Int ErgoMedic 40x39 Plysch Grå Seat Coxit Int ErgoMedic 40x39 Plush Grey

B01 Sits Coxit ErgoMedic Slow Recovery
Seat Coxit ErgoMedic Slow Recovery



B01	1	ST141546 165460	Sits Coxit Int ErgoMedic Slow 44x48 Plysch Grå Seat Coxit Int ErgoMedic Slow 44x48 Plush Grey
	2	ST141046 165461	Sits Coxit Int ErgoMedic Slow 48x48 Plysch Grå Seat Coxit Int ErgoMedic Slow 48x48 Plush Grey
	3	ST142046 165462	Sits Coxit Int ErgoMedic Slow 44x43 Plysch Grå Seat Coxit Int ErgoMedic Slow 44x43 Plush Grey
	4	ST142546 165469	Sits Coxit Int ErgoMedic Slow 40x48 Plysch Grå Seat Coxit Int ErgoMedic Slow 40x48 Plush Grey
	5	ST143046 165463	Sits Coxit Int ErgoMedic Slow 40x43 Plysch Grå Seat Coxit Int ErgoMedic Slow 40x43 Plush Grey
	6	ST143546 165464	Sits Coxit Int ErgoMedic Slow 40x39 Plysch Grå Seat Coxit Int ErgoMedic Slow 40x39 Plush Grey

C01

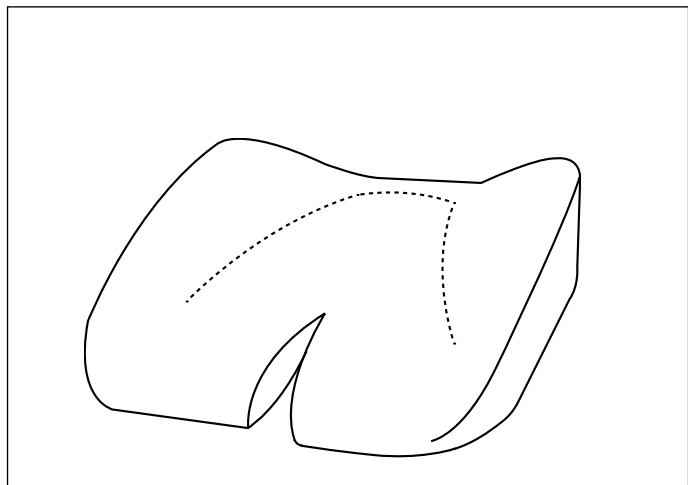


C01 [803269](#) Skruvsats f montering av sittplatta
Screw kit for seat assembly

Stycklista - Sittplatta Coxit

Part list - Seat Coxit

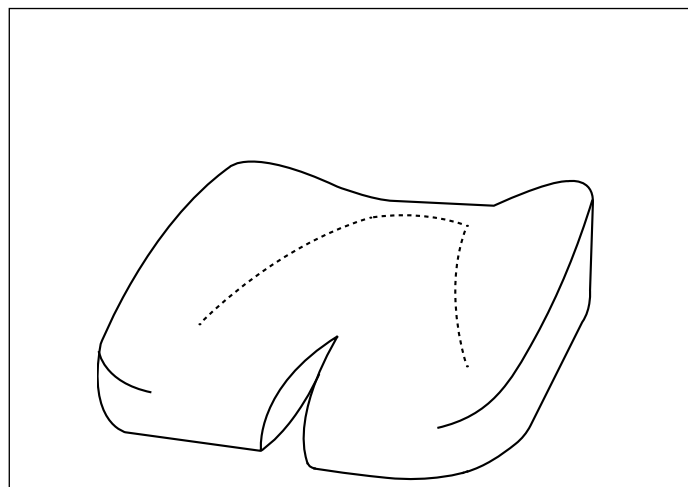
D01 Sits Coxit ErgoMedic PLUS
Seat Coxit ErgoMedic PLUS



Pos **Art.nr** **Benämning**
Pos Art.no Name

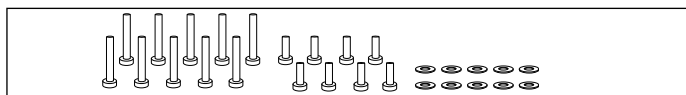
D01	1	ST231546 161460	Sits Coxit Int EM PLUS 44x48 Plysch Grå Seat Coxit Int EM PLUS 44x48 Plush Grey
	2	ST231046 161461	Sits Coxit Int EM PLUS 48x48 Plysch Grå Seat Coxit Int EM PLUS 48x48 Plush Grey
	3	ST232046 161462	Sits Coxit Int EM PLUS 44x43 Plysch Grå Seat Coxit Int EM PLUS 44x43 Plush Grey
	4	ST232546 161469	Sits Coxit Int EM PLUS 40x48 Plysch Grå Seat Coxit Int EM PLUS 40x48 Plush Grey
	5	ST233046 161463	Sits Coxit Int EM PLUS 40x43 Plysch Grå Seat Coxit Int EM PLUS 40x43 Plush Grey
	6	ST233546 161464	Sits Coxit Int EM PLUS 40x39 Plysch Grå Seat Coxit Int EM PLUS 40x39 Plush Grey

E01 Sits Coxit ErgoMedic PLUS Slow Recovery
Seat Coxit ErgoMedic PLUS Slow Recovery



E01	1	ST241546 166460	Sits Coxit Int EM PLUS Slow 44x48 Plysch Grå Seat Coxit Int EM PLUS Slow 44x48 Plush Grey
	2	ST241046 166461	Sits Coxit Int EM PLUS Slow 48x48 Plysch Grå Seat Coxit Int EM PLUS Slow 48x48 Plush Grey
	3	ST242046 166462	Sits Coxit Int EM PLUS Slow 44x43 Plysch Grå Seat Coxit Int EM PLUS Slow 44x43 Plush Grey
	4	ST242546 166469	Sits Coxit Int EM PLUS Slow 40x48 Plysch Grå Seat Coxit Int EM Slow PLUS 40x48 Plush Grey
	5	ST243046 166463	Sits Coxit Int EM PLUS Slow 40x43 Plysch Grå Seat Coxit Int EM PLUS Slow 40x43 Plush Grey
	6	ST243546 166464	Sits Coxit Int EM PLUS Slow 40x39 Plysch Grå Seat Coxit Int EM PLUS Slow 40x39 Plush Grey

F01

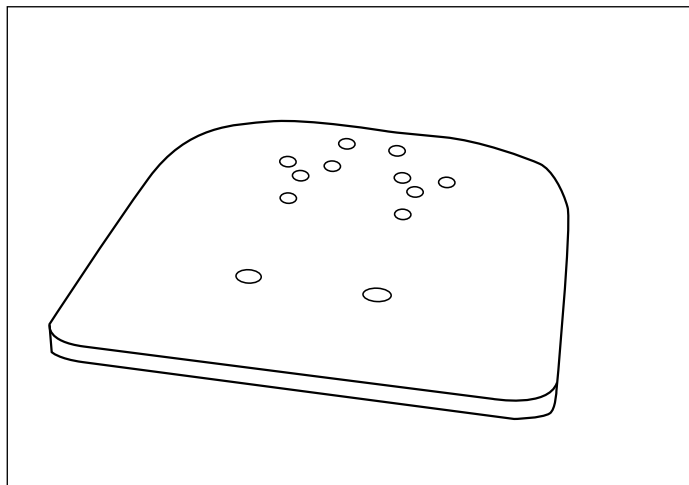


F01 [803269](#) Skruvsats f montering av sittplatta
Screw kit for seat assembly

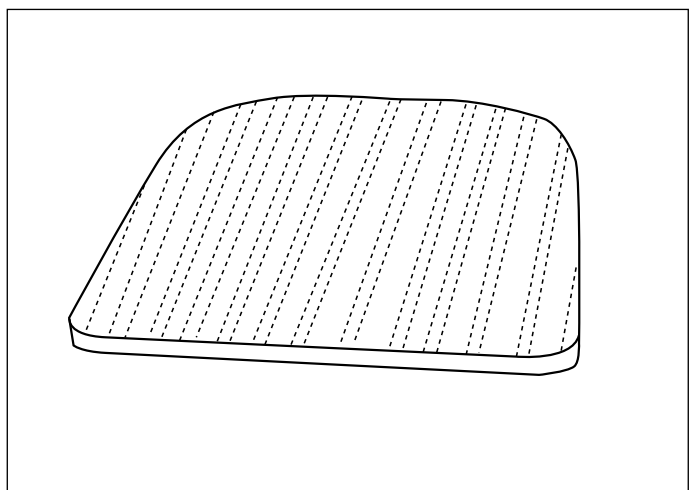
Stycklista - Sittplatta

Part list - Seat

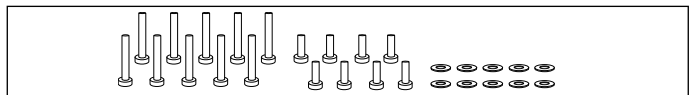
A01 Sittplatta endast träplatta
Seat woodenplate without fabric



B01 Sittplatta Träplatta med antiglid
Seat woodenplate with antiglide



C01



Pos Art.nr Benämning
Pos Art.no Name

Pos	Art.nr	Benämning
Pos	Art.no	Name
A01 1	ST100890	Sits ErgoMedic 48x53 Träplatta u Stoppning Seat ErgoMedic 48x53 Woodenplate Without fabric
2	ST101390	Sits ErgoMedic 44x53 Träplatta u Stoppning Seat ErgoMedic 44x53 Woodenplate Without fabric
3	ST101590 150900	Sits ErgoMedic 44x48 Träplatta u Stoppning Seat ErgoMedic 44x48 Woodenplate Without fabric
4	ST101090 150901	Sits ErgoMedic 48x48 Träplatta u Stoppning Seat ErgoMedic 48x48 Woodenplate Without fabric
5	ST102090 150902	Sits ErgoMedic 44x43 Träplatta u Stoppning Seat ErgoMedic 44x43 Woodenplate Without fabric
6	ST102590 150909	Sits ErgoMedic 40x48 Träplatta u Stoppning Seat ErgoMedic 40x48 Woodenplate Without fabric
7	ST103090 150903	Sits ErgoMedic 40x43 Träplatta u Stoppning Seat ErgoMedic 40x43 Woodenplate Without fabric
8	ST103590 150904	Sits ErgoMedic 40x39 Träplatta u Stoppning Seat ErgoMedic 40x39 Woodenplate Without fabric
9	ST104090 150907	Sits ErgoMedic 36x43 Träplatta u Stoppning Seat ErgoMedic 36x43 Woodenplate Without fabric
10	ST104590 150905	Sits ErgoMedic 36x39 Träplatta u Stoppning Seat ErgoMedic 36x39 Woodenplate Without fabric
11	ST105090 150906	Sits ErgoMedic 33x35 Träplatta u Stoppning Seat ErgoMedic 33x35 Woodenplate Without fabric
12	ST105590 150908	Sits ErgoMedic 29x32 Träplatta u Stoppning Seat ErgoMedic 29x32 Woodenplate Without fabric

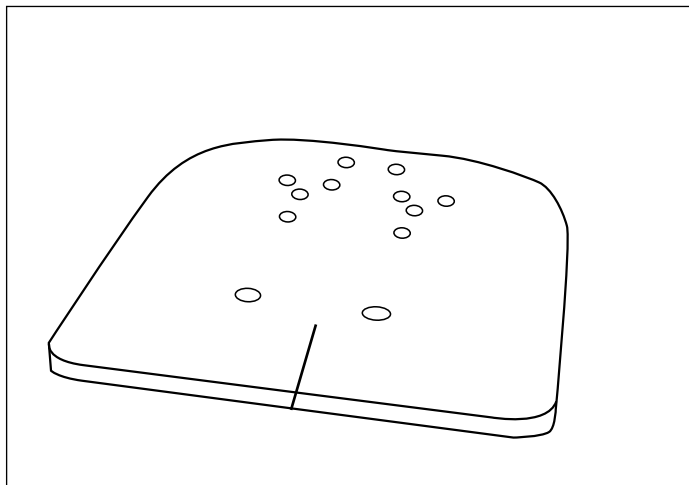
B01 1	ST100861	Sits ErgoMedic 48x53 Antiglid matta Seat ErgoMedic 48x53 Antiglide
2	ST101361	Sits ErgoMedic 44x53 Antiglid matta Seat ErgoMedic 44x53 Antiglide
3	ST101561 150610	Sits ErgoMedic 44x48 Antiglid matta Seat ErgoMedic 44x48 Antiglide
4	ST101061 150611	Sits ErgoMedic 48x48 Antiglid matta Seat ErgoMedic 48x48 Antiglide
5	ST102061 150612	Sits ErgoMedic 44x43 Antiglid matta Seat ErgoMedic 44x43 Antiglide
6	ST102561 150619	Sits ErgoMedic 40x48 Antiglid matta Seat ErgoMedic 40x48 Antiglide
7	ST103061 150613	Sits ErgoMedic 40x43 Antiglid matta Seat ErgoMedic 40x43 Antiglide
8	ST103561 150614	Sits ErgoMedic 40x39 Antiglid matta Seat ErgoMedic 40x39 Antiglide
9	ST104061 150617	Sits ErgoMedic 36x43 Antiglid matta Seat ErgoMedic 36x43 Antiglide
10	ST104561 150615	Sits ErgoMedic 36x39 Antiglid matta Seat ErgoMedic 36x39 Antiglide
11	ST105061 150616	Sits ErgoMedic 33x35 Antiglid matta Seat ErgoMedic 33x35 Antiglide
12	ST105561 150618	Sits ErgoMedic 29x32 Antiglid matta Seat ErgoMedic 29x32 Antiglide

C01 803269 Skruvsats f montering av sittplatta
Screw kit for seat assembly

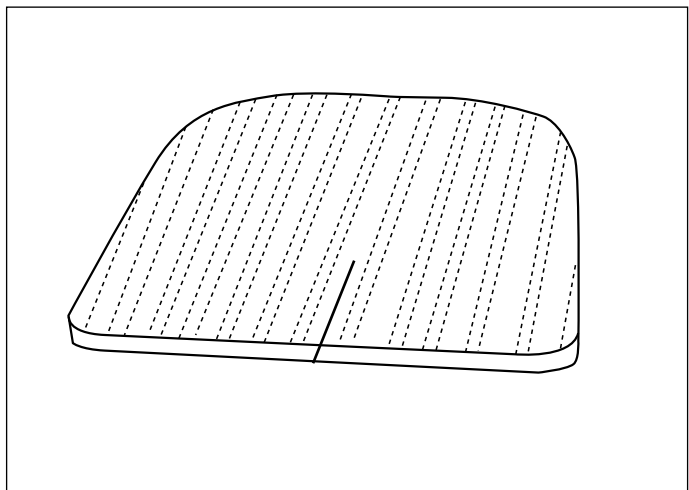
Stycklista - Sittplatta Coxit

Part list - Seat Coxit

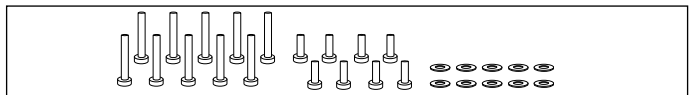
D01 Sittplatta Coxit endast träplatta
Seat Coxit woodenplate whitout fabric



E01 Sittplatta Träplatta Coxit med antiglid
Seat ErgoMedic Coxit with antiglide



F01



Pos Art.nr Benämning
Pos Art.no Name

Pos	Art.nr	Benämning
D01 1	ST131590 160900	Sits ErgoM Coxit 44x48 Träplatta u Stopning Seat ErgoM Coxit 44x48 Woodenplate Without fabric
2	ST131090 160901	Sits ErgoM Coxit 48x48 Träplatta u Stopning Seat ErgoM Coxit 48x48 Woodenplate Without fabric
3	ST132090 160902	Sits ErgoM Coxit 44x43 Träplatta u Stopning Seat ErgoM Coxit 44x43 Woodenplate Without fabric
4	ST132590 160909	Sits ErgoM Coxit 40x48 Träplatta u Stopning Seat ErgoM Coxit 40x48 Woodenplate Without fabric
5	ST133090 160903	Sits ErgoM Coxit 40x43 Träplatta u Stopning Seat ErgoM Coxit 40x43 Woodenplate Without fabric
6	ST133590 160904	Sits ErgoM Coxit 40x39 Träplatta u Stopning Seat ErgoM Coxit 40x39 Woodenplate Without fabric

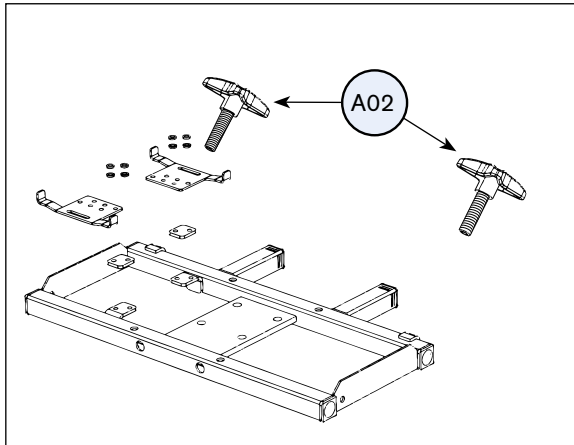
Pos	Art.nr	Benämning
E01 1	ST131561 160610	Sits ErgoMedic Coxit 44x48 Antiglid matta Seat ErgoMedic Coxit 44x48 Antiglide
2	ST131061 160611	Sits ErgoMedic Coxit 48x48 Antiglid matta Seat ErgoMedic Coxit 48x48 Antiglide
3	ST132061 160612	Sits ErgoMedic Coxit 44x43 Antiglid matta Seat ErgoMedic Coxit 44x43 Antiglide
4	ST132561 160619	Sits ErgoMedic Coxit 40x48 Antiglid matta Seat ErgoMedic Coxit 40x48 Antiglide
5	ST133061 160613	Sits ErgoMedic Coxit 40x43 Antiglid matta Seat ErgoMedic Coxit 40x43 Antiglide
6	ST133561 160614	Sits ErgoMedic Coxit 40x39 Antiglid matta Seat ErgoMedic Coxit 40x39 Antiglide

F01 803269 Skruvsats f montering av sittplatta
Screw kit for seat assembly

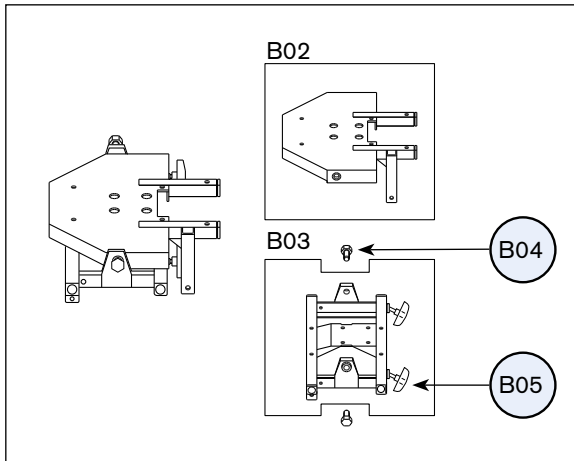
Stycklista - Sittkryss

Part list - Seatframe

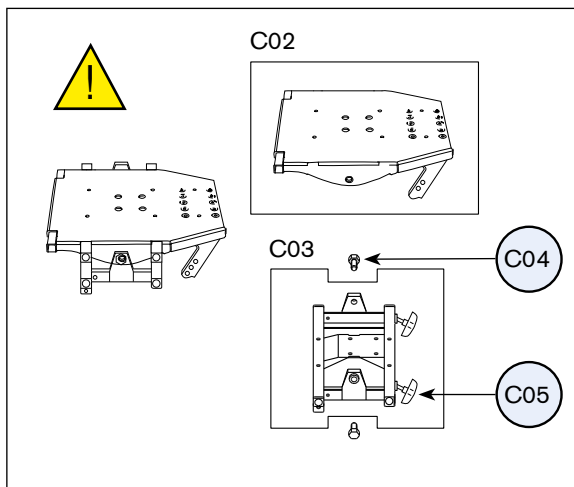
A01 Sittkryss vinkelfast
Seatframe without angle adjustment



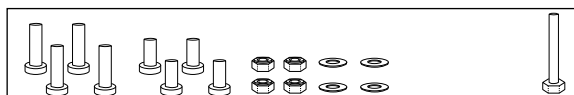
B01 Sittkryss vinkelställbart -15/+8°
Angle adjustable seatframe



C01 Sittkryss allvinkel
Allangle seatframe



D01 Skruvsats för lyftomat
Screw kit for liftomat assembly



Sid 10

Pos Art.nr Benämning
Pos Art.no Name

A01	1	804545	Sittkryssmekanism 9000/9100 Vf Br40-54 cm 24V 1G Seatframe 9000/9100 without angle adjustment 40-54 cm 24V 1G
	2	804546	Sittkryssmekanism 9100 Vf Br33-39 cm 24V 1G Seatframe 9100 without angle adjustment 33-39 cm 24V 1G

A02 803005 Stjärnratt Plus M8x40 (Braga gummerad)
Gummed knob PLUS M8x40

B01	1	804504	Sittkryssmekanism 9100 Vs Br40-54 cm (Vuxen) 24V 1G Seatframe 9100 angle adjustment width 40-54 cm 24V 1G
	2	804505	Sittkryssmekanism 9100 Vs Br33-39 cm (Barn) 24V 1G Seatframe 9100 angle adjustment width 33-39 cm 24V 1G

B02 800857 Sittkryss Vs Övre 9000/9100 Br33-54 cm
Seatframe 9000/9100 angle adj. upper sect. width 33-54 cm

B03	1	804514	Sittkryss Vs Undre 9100/9800 Br40-54 cm (Vuxen) 24V 1G Seatframe 9100/9800 angle adj. lower sect. width 40-54 cm 24V 1G
	2	804544	Sittkryss Vs Undre 9100/9800 Br33-39 cm (Barn) 24V 1G Seatframe 9100/9800 angle adj. lower sect. width 33-39 cm 24V 1G

B04 801224 Lagerskruv vinkelställb.
Screw angle adjustable

B05 803005 Stjärnratt Plus M8x40 (Braga gummerad)
Gummed knob PLUS M8x40

C01	1	804506	Sittkryss 9000 Vs -15/+23 gr. Br40-54 Vuxen 24V 1G Seatframe 9000 adj. angle 15-23° width 40-54 24V 1G
	2	804507	Sittkryss 9000 Vs -15/+23 gr. Br33-39 Barn 24V 1G Seatframe 9000 adj. angle 15-23° width 33-39 24V 1G

C02 1 802827 Sittkryss 9000 Vs -15/+23 gr. Överdel Br40-54 Vuxen
Seatframe 9000 adj. angle 15/23° upperpart width 40-54

2 802828 Sittkryss 9000 Vs -15/+23 gr. Överdel Br33-39 Barn
Seatframe 9000 adj. angle 15/23° upperpart width 33-39

C03	1	804514	Sittkryss Vs Undre 9100/9800 Br40-54 (Vuxen) 24V 1G Seatframe 9100/9800 angle adj. lower section width 40-54 24V 1G
	2	804544	Sittkryss Vs Undre 9100/9800 Br33-39 (Barn) 24V 1G Seatframe 9100/9800 angle adj. lower section width 33-39 24V 1G

C04 801224 Lagerskruv vinkelställb.
Screw angle adjustable

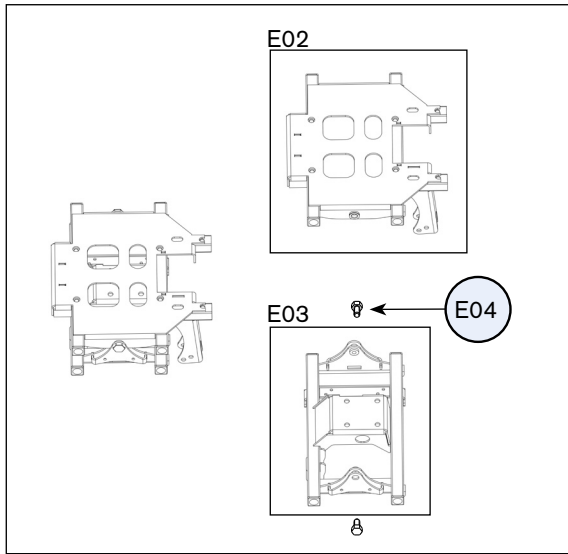
C05 803005 Stjärnratt Plus M8x40 (Braga gummerad)
Gummed knob PLUS M8x40

D01 803268 Skruvsats f montering av manuell eller el-lyftomat
Screw kit for liftomat assembly or electric liftomat

Stycklista - Sittkryss

Part list - Seatframe

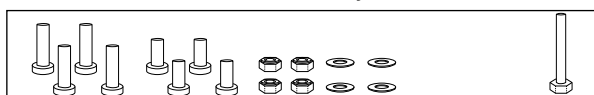
E01 Sittkryss vinkelställbart -15/+15°
Angle adjustable seatframe



Pos Art.nr Benämning
Pos Art.no Name

Pos	Art.nr	Benämning
Pos	Art.no	Name
E01 1	804513	Sittkryssmek 9000/EL Vs-15/+15 Br40-48 Vuxen 24V 1G Seatframe 9000/EL -15/+15° width 40-48 Adult 24V 1G
2	804512	Sittkryssmek 9000/EL Vs-15/+15 Br36-40 Barn 24V 1G Seatframe 9000/EL -15/+15° width 36-40 Child 24V 1G
3	804509	Sittkryssmek 9000/EL Vs-15/+15 Br29-33 Mini 24V 1G Seatframe 9000/EL -15/+15° width 29-33 Mini 24V 1G
E02 1	804567	Sittkryss Vs Över 6100/9000 -15/+15 Br40-54 Vuxen Seatframe upper sect. 6100/9000 -15/+15° width 40-54
2	804565	Sittkryss Vs Över 6100/9000 -15/+15 Br36-40 Barn Seatframe upper sect. 6100/9000 -15/+15° width 36-40
3	804563	Sittkryss Vs Över 6100/9000 -15/+15 Br29-33 Mini Seatframe upper sect. 6100/9000 -15/+15° width 29-33
E03 1	804566	Sittkryss Vs Under 9000/EL 24V 1G -15/+15 Br40-54 Vuxen Seatframe lower sect. 9000/EL 24V 1G -15/+15° width 40-54
2	804564	Sittkryss Vs Under 9000/EL 24V 1G -15/+15 Br36-40 Barn Seatframe lower sect. 9000/EL 24V 1G -15/+15° width 36-40
3	804562	Sittkryss Vs Under 9000/EL 24V 1G -15/+15 Br29-33 Mini Seatframe lower sect. 9000/EL 24V 1G -15/+15° width 29-33
E04	803578	Lagerskruv f vinkelställbara sittkryss M8 gänga Stock screw f angle adjustable seatframe

F01 Skruvsats för lyftomat
Screw kit for liftomat assembly

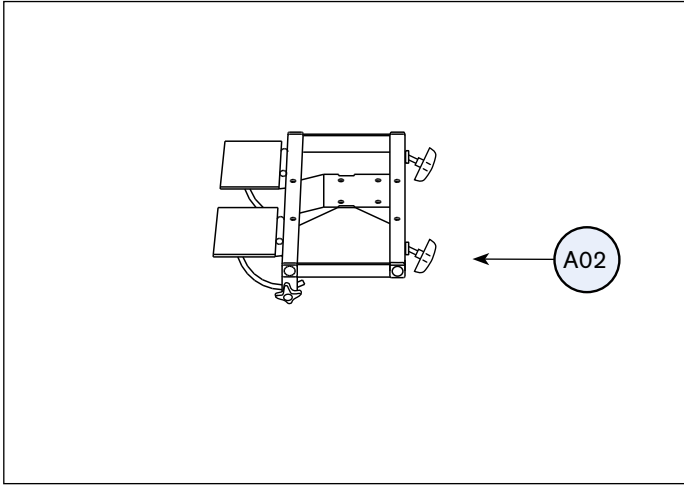


F01 803268 Skruvsats f montering av manuell eller el-lyftomat
Screw kit for liftomat assembly or electric liftomat

Stycklista - Sittkryss Coxit

Part list - Seatframe Coxit

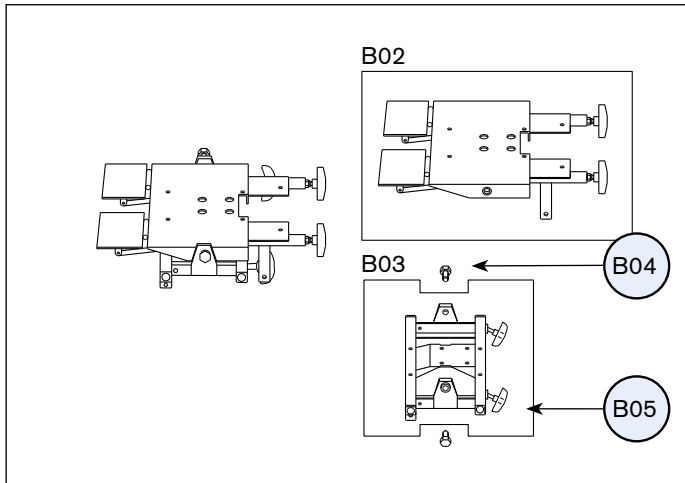
A01 Sittkryss vinkelfast coxit
Seatframe coxit without angle adjustment



Pos	Art.nr	Benämning
Pos	Art.no	Name
A01	804595	Sittkryssmekanism 9700/9800 Vf Br40-54 (Coxit) 24V 1G Seatframe 9800 without angle adjustment 40-54 cm

A02 803005 Stjärnratt Plus M8x40 (Braga gummerad)
Gummed knob PLUS M8x40

B01 Sittkryss vinkelställbart coxit
Angle adjustable coxit seatframe

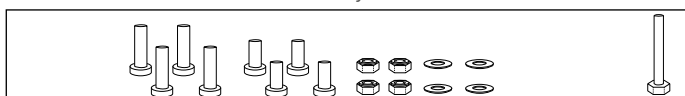


B01	804508	Sittkryssmekanism 9800 Vs Br40-54 cm (Coxit) Seatframe 9800 angle adjustment width 40-54 cm
B02	800858	Sittkryss Vs Övre 9700+9800 Br40-54 cm (Coxit) Seatframe 9700+9800 angle adjustment upper section width 40-54
B03	804514	Sittkryss Vs Undre 9100/9800 Br40-54 cm (Vuxen) Seatframe 9100/9800 angle adj. lower section width 40-54

B04 801224 Lagerskruv vinkelställb.
Screw angle adjustable

B05 803005 Stjärnratt Plus M8x40 (Braga gummerad)
Gummed knob PLUS M8x40

C01 Skruvsats för lyftomat
Screw kit for liftomat assembly

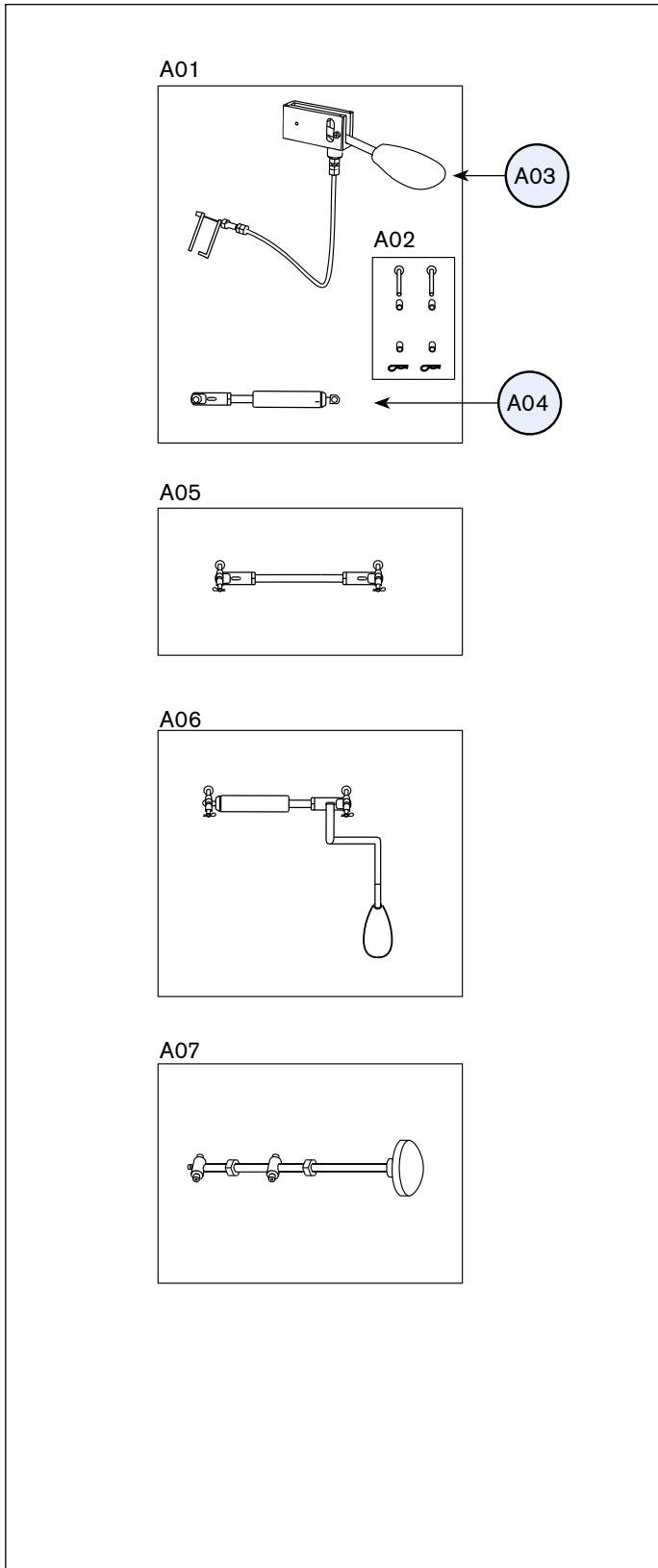


C01 803268 Skruvsats f monteringen av manuell eller el-lyftomat
Screw kit for liftomat assembly or electric liftomat

Stycklista - Reglage för sitstilt

Part list - Controls for seat angle adjustment

A



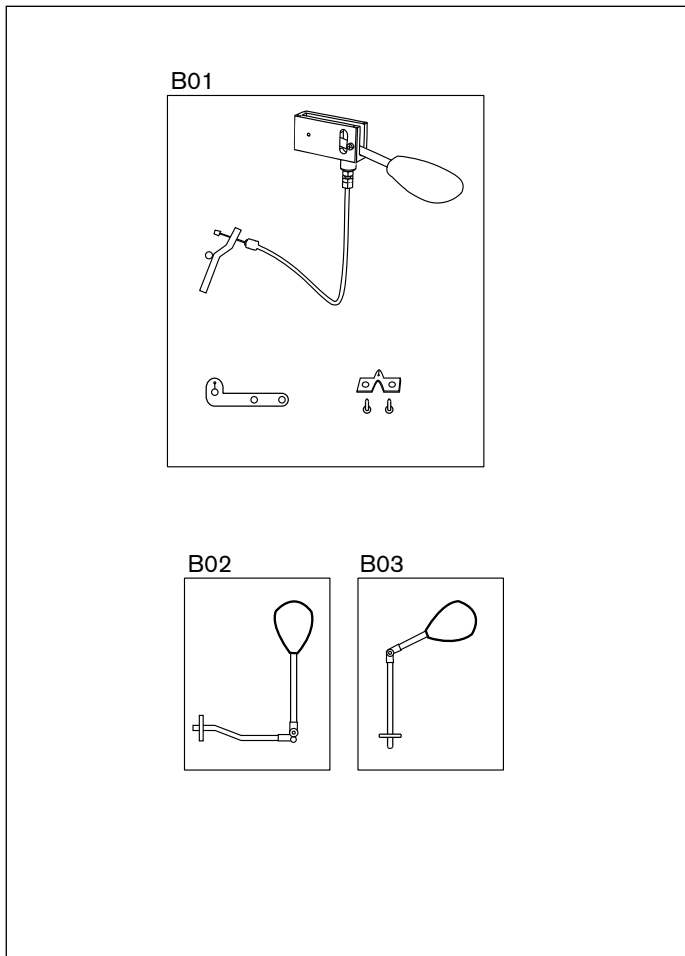
Pos	Art.nr	Benämning
Pos	Art.no	Name
A01	SAR31 802767	Sitstiltreglage PLUS u armstöd inkl gasfjäder Seat angle control PLUS under armrest including gasspring
A02	803508	Cylindriskbult Låsnål Distans för sitstiltkolv Cylindrical bolt, locking pin spacer for seat angle piston
A03	803265	Sitstiltreglage PLUS u armstöd exklusive gasfjäder Seat angle control excluding gas spring
A04	801145	Gasfjäder 250 N/ 46 mm t Tiltsits Gasspring 250 N/ 46 mm for seat angle
A05	SAR10 802236	Sitstiltkit Vf f vinkelkruss ersätter vev/gas/elvinkel Seat angle kit for seatframe with fixed angle, replaces crank/gasspring/electric angling
A06	SAR30 803267	Sitstiltreglage PLUS u sits inkl gasfjäder Seat angle control PLUS under seat including gasspring
A07	SAR20 800829	Vevreglage sitstilt 9000 Komplet sats Handlecontrol seat angle 9000 complete kit

Reglage för elrelgerad sitstilt, se sid 35.
Control for electric seat angle adjustment, view page 35.

Stycklista - Reglage för sitthöjd

Part list - Controls for seat height

B



Pos	Art.nr	Benämning
Pos	Art.no	Name
B01 1	803116	Sitthöjdsreglage under armstöd f vf i PLUS-utförande <i>Seat height control under armrest for fixed seat angle</i>
2	803117	Sitthöjdsreglage under armstöd f vs i PLUS-utförande <i>Seat height control under armrest for seat angle adjustment</i>
3	803506	Sitthöjdsreglage under armstöd f vf/vs i PLUS-utförande <i>Seat height control under armrest for both fixed seat angle and seat angle adjustment</i>

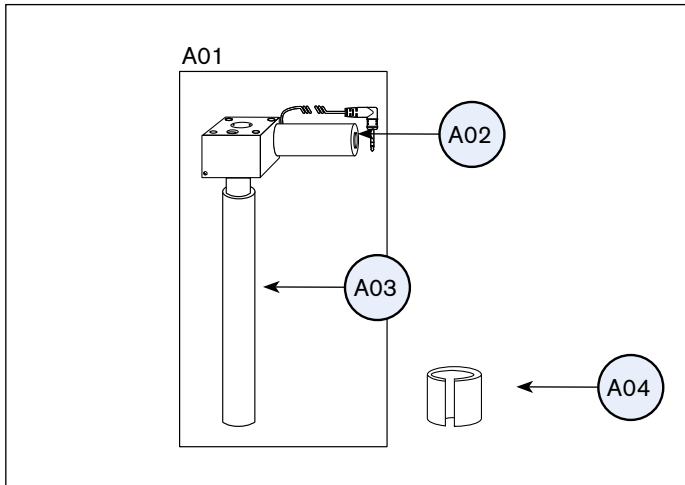
B02 1	802908	Sitthöjdsreglage u sits f Vs 9000 Vuxen PLUS Hö/Vä <i>Seat height control under seat for seat angle adjustment, Adult</i>
2	803016	Sitthöjdsreglage u sits f Vs 9000 Barn PLUS Hö/Vä <i>Seat height control under seat for seat angle adjustment, Child</i>
3	803017	Sitthöjdsreglage u sits f Vs 9000 Mini PLUS Hö/Vä <i>Seat height control under seat for seat angle adjustment, Mini</i>

B03 1	802974	Sitthöjdsreglage u sits f Vf 9000 Vuxen PLUS Hö/Vä <i>Seat height control under seat for fixed seat angle, Adult</i>
2	803033	Sitthöjdsreglage u sits f Vf 9000 Barn PLUS Hö/Vä <i>Seat height control under seat for fixed seat angle, Child</i>

Stycklista - Ellyftomat

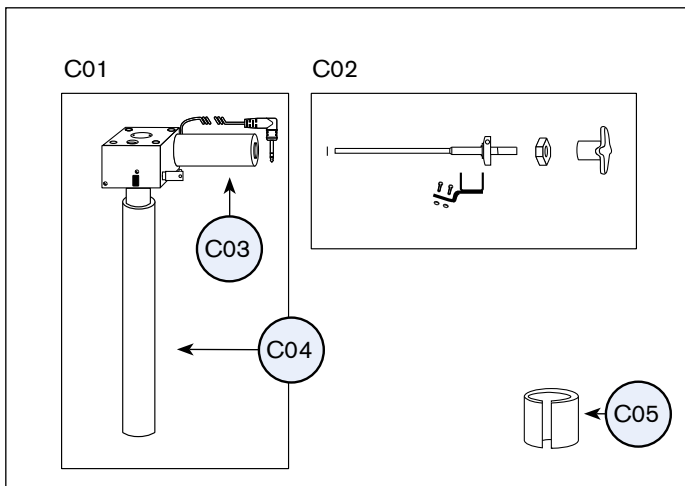
Part list - Ellyftomat

A Utan rotation Without rotation



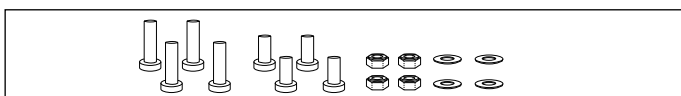
Pos	Art.nr	Benämning
Pos	Art.no	Name
A01 1	804493	Ellyftomat 28 cm 24V 1G <i>Electric height adjustment 28 cm</i>
2	804491	Ellyftomat 20 cm 24V 1G <i>Electric height adjustment 20 cm</i>
3	804517	Ellyftomat 15 cm 24V 1G <i>Electric height adjustment 15 cm</i>
A02	800272	Motor M48x50 24V 5500rpm <i>Motor M48x50 24V 5500rpm</i>
A03 1	802524	Ytterrör+Spårrör+Kil linjärstyrning 280 <i>Outer tube+track tube 280</i>
2	802525	Ytterrör+Spårrör+Kil linjärstyrning 200 <i>Outer tube+track tube 200</i>
3	804388	Ytterrör+Spårrör+Kil linjärstyrning 150 <i>Outer tube+track tube 150</i>
A04	801177	Plastinsats för Ellyftomat Klämförbandsinsats <i>Plastic inset for Electric liftomat clamps lining</i>

C Rotation för vinkelställt sättkryss Rotation for angle adjustable seatframe



C01 1	804494	Ellyftomat 28 cm Rot Hö 3 läslägen Böjlig axel 24V 1G <i>Electric 28 cm Rotation right 3 positions flexible axle 24V 1G</i>
2	804492	Ellyftomat 20 cm Rot Hö 3 läslägen Böjlig axel 24V 1G <i>Electric 20 cm Rotation right 3 positions flexible axle 24V 1G</i>
C02	801133	Axel Rot.spärr Böjlig f Ellyftomat kpl <i>Axis bendable</i>
C03	800272	Motor M48x50 24V 5500rpm <i>Motor M48x50 24V 5500rpm</i>
C04 1	801219	Spårrör 280 slagl 3 lås kpl <i>Outer tube+track tube 280 3 positions</i>
2	801215	Spårrör 200 slagl 3 lås kpl <i>Outer tube+track tube 200 3 positions</i>
C05	801177	Plastinsats för Ellyftomat Klämförbandsinsats <i>Plastic inset for Electric liftomat clamps lining</i>

D01 Skruv sats för lyftomat Screw kit for liftomat assembly

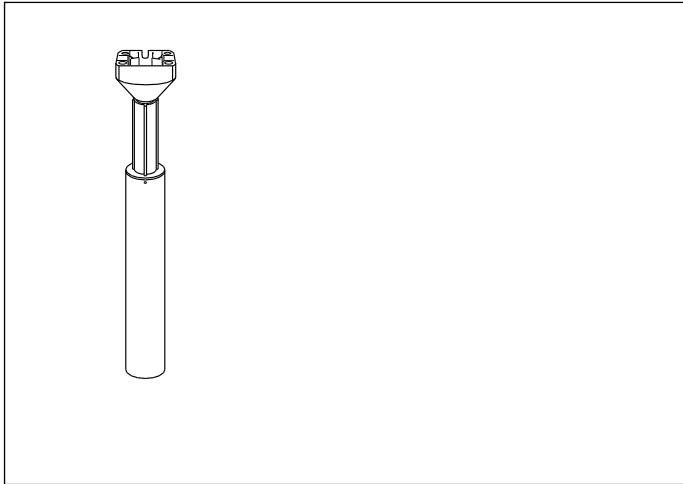


D01	803268	Skruvsats f montering av manuell eller el-lyftomat <i>Screw kit for liftomat assembly or electric liftomat</i>
-----	--------	---

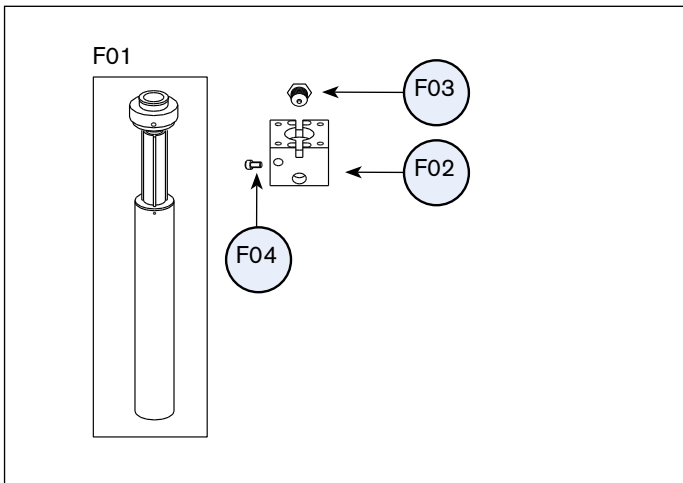
Stycklista - Fixlyftomat

Part list - Fixlyftomat

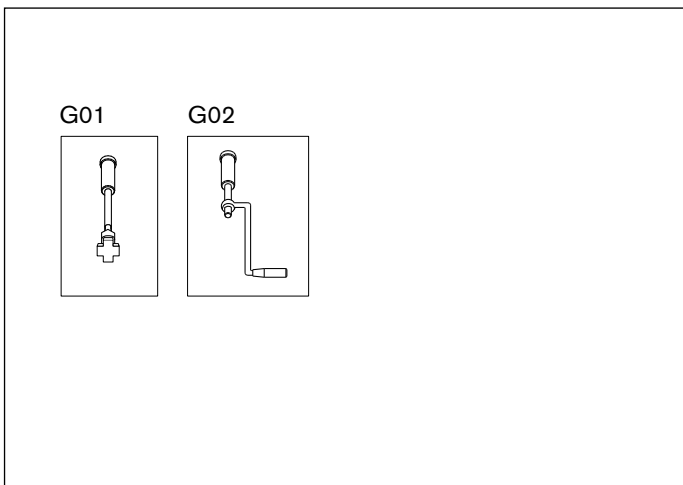
E01 Fixlyftomat
Fixliftomat



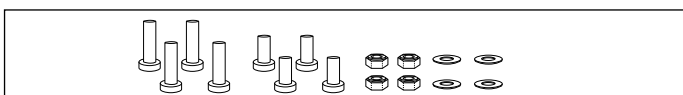
F Fixlyftomat med rotation
Fixliftomat with rotation



G Spakar för rotation
Levers for rotation



H01 Skruvsats för lyftomat
Screw kit for liftomat assembly



Pos Art.nr Benämning
Pos Art.no Name

E01	1	803987	Fixlyftomat 200mm 55-90 kg tryck m Alufäste Fixliftomat 200mm 55-90 kg with aluminium grip
	2	803985	Fixlyftomat 200mm <55 kg tryck m Alufäste Fixliftomat 200mm <55-90 kg with aluminium grip
	3	803989	Fixlyftomat 200mm 90-130 kg tryck m Alufäste Fixliftomat 200mm 90-130 kg with aluminium grip
	4	803981	Fixlyftomat 140mm 55-90 kg tryck m Alufäste Fixliftomat 140mm 55-90 kg with aluminium grip
	5	803979	Fixlyftomat 140mm <55-90 kg tryck m Alufäste Fixliftomat 140mm <55-90 kg with aluminium grip
	6	803983	Fixlyftomat 140mm 90-130 kg tryck m Alufäste Fixliftomat 140mm 90-130 kg with aluminium grip

F01	1	803988	Fixlyftomat 200mm 55-90 kg tryck m Rotation Fixliftomat 200mm 55-90 kg with rotation
	2	803986	Fixlyftomat 200mm <55 kg tryck m Rotation Fixliftomat 200mm <55-90 kg with rotation
	3	803990	Fixlyftomat 200mm 90-130 kg tryck m Rotation Fixliftomat 200mm 90-130 kg with rotation
	4	803982	Fixlyftomat 140mm 55-90 kg tryck m Rotation Fixliftomat 140mm 55-90 kg with rotation
	5	803980	Fixlyftomat 140mm 200N <55 kg tryck m Rotation Fixliftomat 140mm <55-90 kg with rotation
	6	803984	Fixlyftomat 140mm 90-130 kg tryck m Rotation Fixliftomat 140mm 90-130 kg with rotation
F02		801055	Hus Manuell Vs. std.+rot House
F03		801225	Låsskruv Fixlyft M18x1 Locking screw fixliftomat M18x1
F04		800414	MC6S M5x10 O.B.H 12.9 Insexskruv M5x10 MC6S M5x10 O.B.H 12.9 Insexskruv M5x10

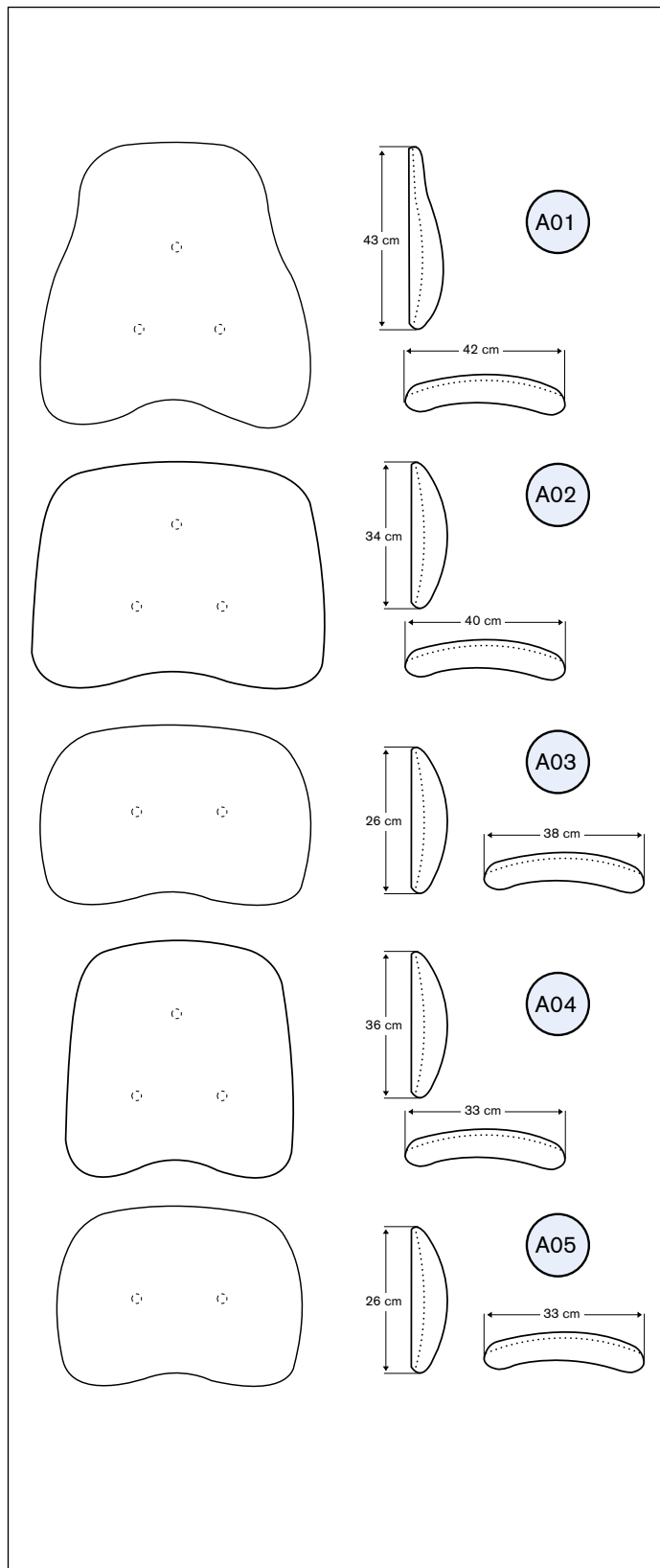
G01		801151	Rotation låsspak t Vf. Sits manuell Rotationlock lever for non adjustable manual seat
G02		801545	Rotation låsspak kpl.Vs. Sits manuell Rotationlock lever for seat angle adjustment. Manual seat

H01		803268	Skruvsats f montering av manuell eller el-lyftomat Screw kit for liftomat assembly or electric liftomat
-----	--	--------	--

Stycklista - Ryggplatta

Part list - Backrest

A Ryggar ErgoMedic
Backrest ErgoMedic



Pos Art.nr Benämning
Pos Art.no Name

- A01 1 [BR101546](#) Rygg ErgoMedic 42x43 Plysch Grå
210468 Backrest ErgoMedic 42x43 Plush Grey
- 2 [BR111546](#) Rygg ErgoMedic 42x43 Plysch Grå Slowrec.
215468 Back ErgoMedic 42x43 Plush Grey Slowrec.

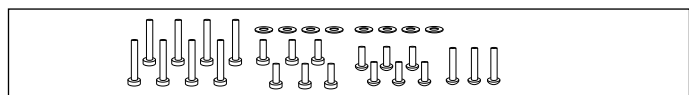
- A02 1 [BR103046](#) Rygg ErgoMedic 40x34 Plysch Grå
210461 Backrest ErgoMedic 40x34 Plush Grey
- 2 [BR303046](#) Rygg ErgoM. f bålstöd 40x34 Plysch Grå
211461 Backr. ErgoM. trunks. 40x34 Plush Grey
- 3 [BR113046](#) Rygg ErgoMedic 40x34 Plysch Grå Slowrec.
215461 Back ErgoMedic 40x34 Plush Grey Slowrec.
- 4 [BR313046](#) Rygg ErgoM. f bålstöd 40x34 Plysch Grå Slowrec.
216461 Backr. ErgoM. trunks. 40x34 Plush Grey Slowrec.

- A03 1 [BR105546](#) Rygg ErgoMedic 38x26 Plysch Grå
210460 Backrest ErgoMedic 38x26 Plush Grey
- 2 [BR115546](#) Rygg ErgoMedic 38x26 Plysch Grå Slowrec.
215460 Back ErgoMedic 38x26 Plush Grey Slowrec.

- A04 1 [BR102546](#) Rygg ErgoMedic 33x36 Plysch Grå
210463 Backrest ErgoMedic 33x36 Plush Grey
- 2 [BR112546](#) Rygg ErgoMedic 33x36 Plysch Grå Slowrec.
215463 Back ErgoMedic 33x36 Plush Grey Slowrec.

- A05 1 [BR106046](#) Rygg ErgoMedic 33x26 Plysch Grå
210462 Backrest ErgoMedic 33x26 Plush Grey
- 2 [BR116046](#) Rygg ErgoMedic 33x26 Plysch Grå Slowrec.
215462 Back ErgoMedic 33x26 Plush Grey Slowrec.

B01 Skruv sats för montering av rygg och ryggfällning
Screw kit for backrest assembly

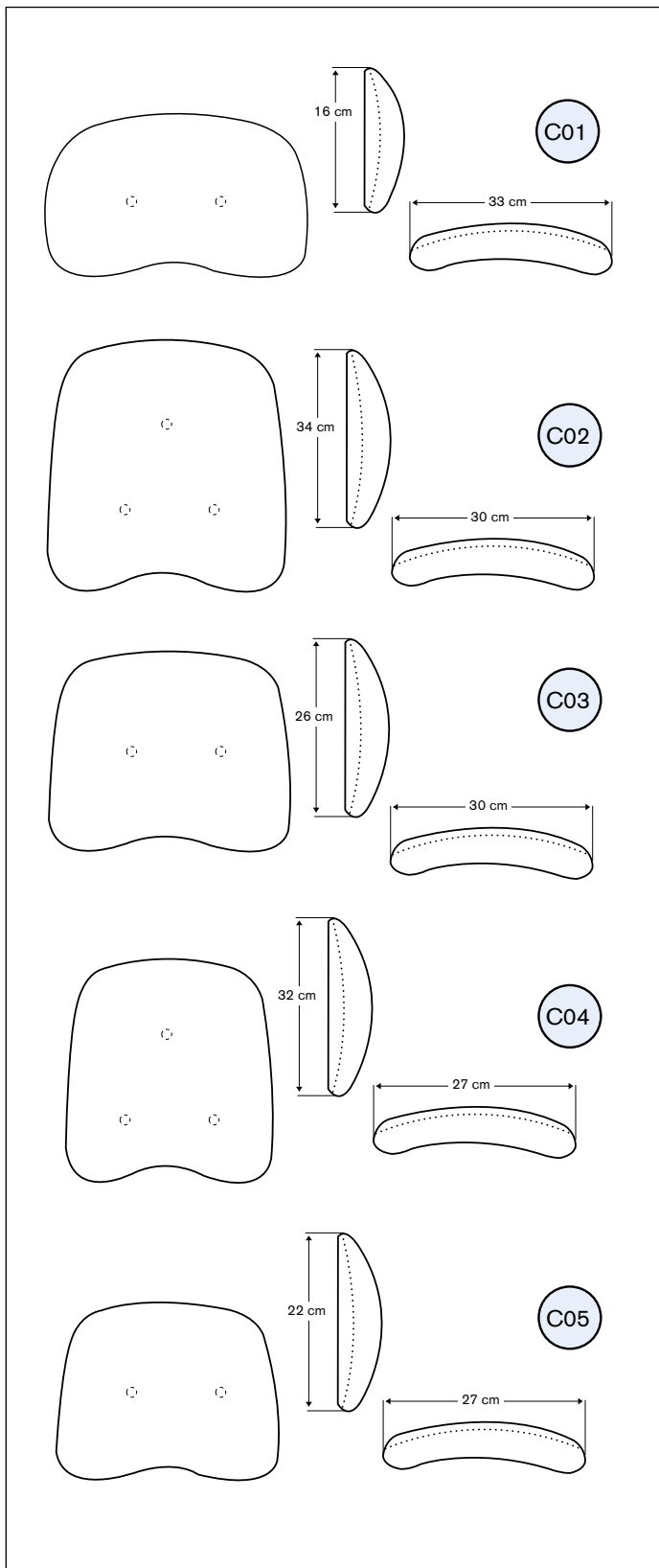


B01 [803270](#) Skruvsats f montering av rygg och ryggfällning
Screw kit for backrest assembly

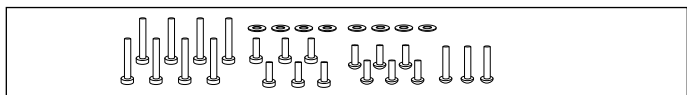
Stycklista - Ryggplatta

Part list - Backrest

C Ryggar ErgoMedic
Backrest ErgoMedic



D01 Skruv sats för montering av rygg och ryggfällning
Screw kit for backrest assembly



Pos Art.nr Benämning
Pos Art.no Name

C01 [BR109046](#) Magplatta/Rygg Classic 33x16 Plysch Grå
230461 Stomach support/Backrest Classic 33x16 Plush Grey

C02 1 [BR103546](#) Rygg ErgoMedic 30x34 Plysch Grå
210465 Backrest ErgoMedic 30x34 Plush Grey
2 [BR113546](#) Rygg ErgoMedic 30x34 Plysch Grå Slowrec.
215465 Back ErgoMedic 30x34 Plush Grey Slowrec.

C03 1 [BR106546](#) Rygg ErgoMedic 30x26 Plysch Grå
210464 Backrest ErgoMedic 30x26 Plush Grey
2 [BR116546](#) Rygg ErgoMedic 30x26 Plysch Grå Slowrec.
215464 Back ErgoMedic 30x26 Plush Grey Slowrec.

C04 1 [BR104546](#) Rygg ErgoMedic 27x32 Plysch Grå
210467 Backrest ErgoMedic 27x32 Plush Grey
2 [BR114546](#) Rygg ErgoMedic 27x32 Plysch Grå Slowrec.
215467 Back ErgoMedic 27x32 Plush Grey Slowrec.

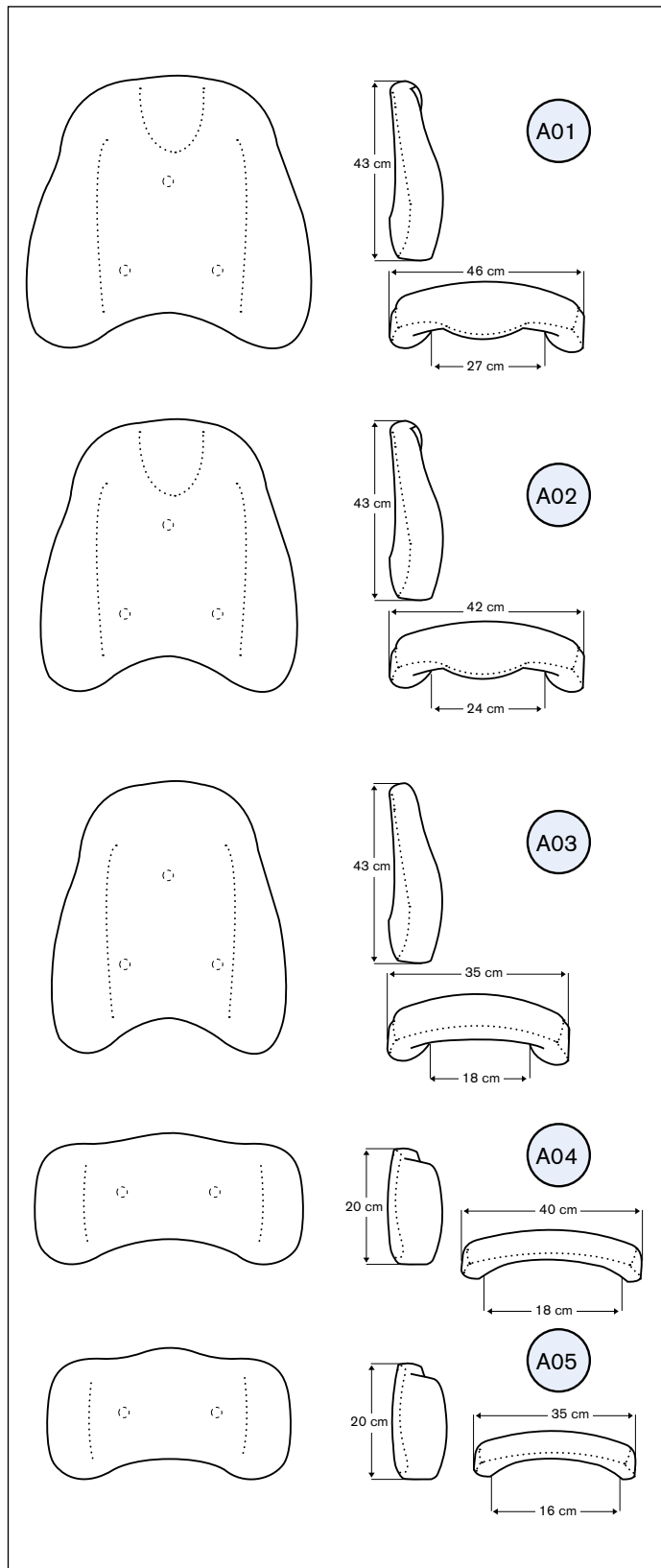
C05 1 [BR107046](#) Rygg ErgoMedic 27x22 Plysch Grå
210466 Backrest ErgoMedic 27x22 Plush Grey
2 [BR117046](#) Rygg ErgoMedic 27x22 Plysch Grå Slowrec.
215466 Back ErgoMedic 27x22 Plush Grey Slowrec.

D01 [803270](#) Skruvsats f montering av rygg och ryggfällning
Screw kit for backrest assembly

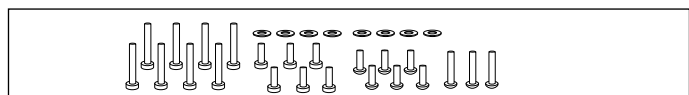
Stycklista - Ryggplatta

Part list - Backrest

A Ryggar ErgoMedic PLUS
Backrest ErgoMedic PLUS



B01 Skruv sats för montering av rygg och ryggfällning
Screw kit for backrest assembly



Pos Art.nr Benämning
Pos Art.no Name

A01 1 BR201046 Rygg ErgoMedic PLUS 46x43 Plysch Grå
251469 Backrest ErgoMedic PLUS 46x43 Plush Grey
2 BR221046 Rygg ErgoMedic 46x43 Plysch Grå Slowrec.
256469 Back ErgoMedic 46x43 Plush Grey Slowrec.

A02 1 BR201546 Rygg ErgoMedic PLUS 42x43 Plysch Grå
251468 Backrest ErgoMedic PLUS 42x43 Plush Grey
2 BR221546 Rygg ErgoMedic 42x43 Plysch Grå Slowrec.
256468 Back ErgoMedic 42x43 Plush Grey Slowrec.

A03 1 BR202046 Rygg ErgoMedic PLUS 35x43 Plysch Grå
251463 Backrest ErgoMedic PLUS 35x43 Plush Grey
2 BR222046 Rygg ErgoMedic 35x43 Plysch Grå Slowrec.
256463 Back ErgoMedic 35x43 Plush Grey Slowrec.

A04 1 BR207546 Rygg ErgoMedic PLUS 40x20 Plysch Grå
251460 Backrest ErgoMedic PLUS 40x20 Plush Grey
2 BR227546 Rygg ErgoMedic 40x20 Plysch Grå Slowrec.
256460 Back ErgoMedic 40x20 Plush Grey Slowrec.

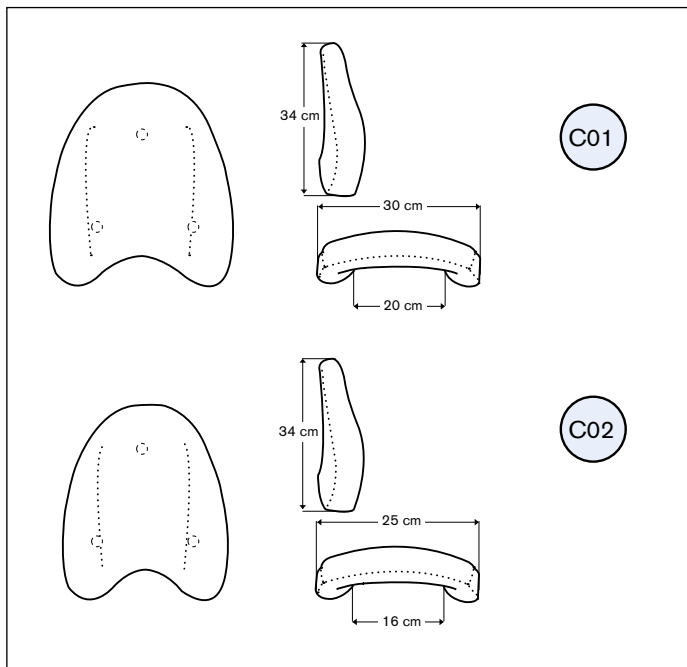
A05 1 BR208046 Rygg ErgoMedic PLUS 35x20 Plysch Grå
251462 Backrest ErgoMedic PLUS 35x20 Plush Grey
2 BR228046 Rygg ErgoMedic 35x20 Plysch Grå Slowrec.
256462 Back ErgoMedic 35x20 Plush Grey Slowrec.

B01 803270 Skruvsats f montering av rygg och ryggfällning
Screw kit for backrest assembly

Stycklista - Ryggplatta

Part list - Backrest

C Ryggar ErgoMedic PLUS
Backrest ErgoMedic PLUS



Pos	Art.nr	Benämning
Pos	Art.no	Name

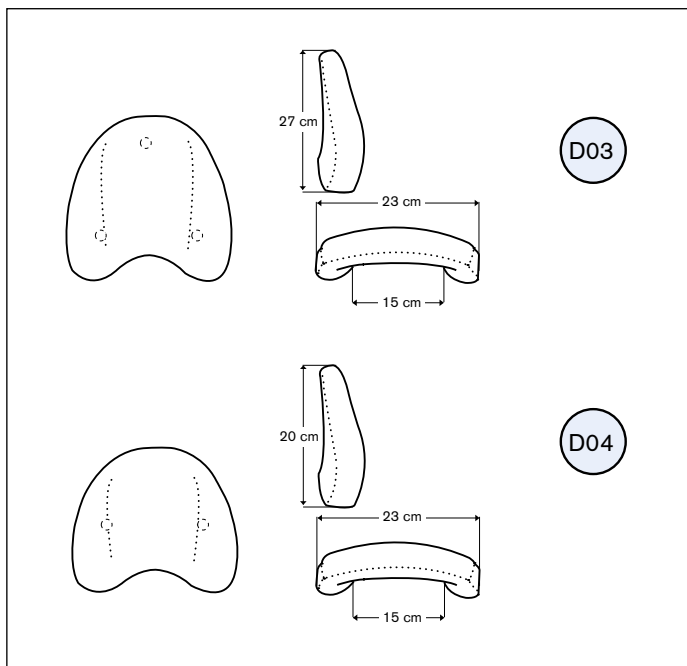
C01	1	BR203546 Rygg ErgoMedic PLUS 30x34 Plysch Grå 251465 Backrest ErgoMedic PLUS 30x34 Plush Grey
	2	BR223546 Rygg ErgoMedic 30x34 Plysch Grå Slowrec. 256465 Back ErgoMedic 30x34 Plush Grey Slowrec.

C02	1	BR204046 Rygg ErgoMedic PLUS 25x34 Plysch Grå 251464 Backrest ErgoMedic PLUS 25x34 Plush Grey
	2	BR224046 Rygg ErgoMedic 25x34 Plysch Grå Slowrec. 256464 Back ErgoMedic 25x34 Plush Grey Slowrec.

Stycklista - Ryggplatta

Part list - Backrest

D Ryggar ErgoMedic
Backrest ErgoMedic



D03	BR105046 Rygg ErgoMedic 23x27 Plysch Grå 213461 Backrest ErgoMedic 23x27 Plush Grey
-----	---

D04	BR108546 Rygg ErgoMedic 23x20 Plysch Grå 213460 Backrest ErgoMedic 23x20 Plush Grey
-----	---

E01 Skruv sats för montering av rygg och ryggfällning
Screw kit for backrest assembly

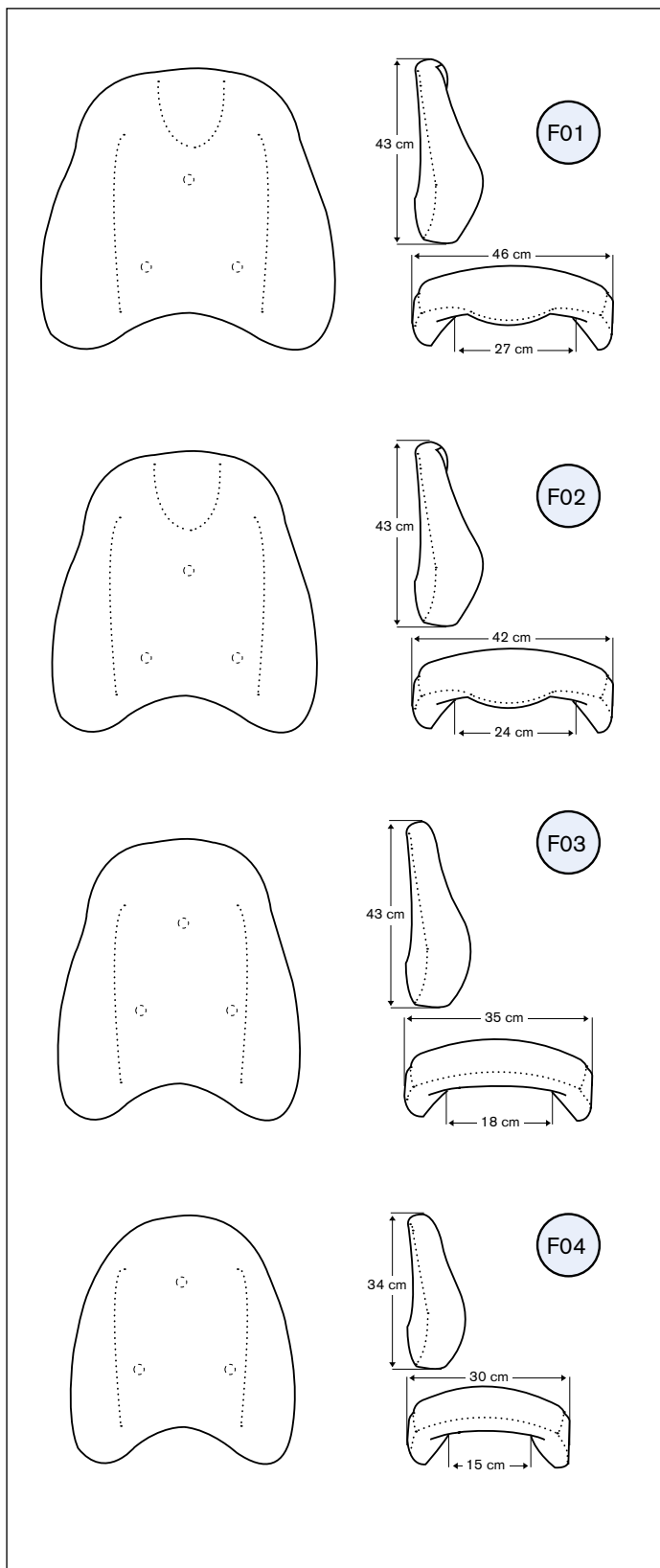


E01	803270 Skruvsats f montering av rygg och ryggfällning Screw kit for backrest assembly
-----	---

Stycklista - Ryggplatta

Part list - Backrest

F Ryggar ErgoMedic PLUS med sidokil
Backrest ErgoMedic PLUS with wedge



Pos Art.nr Benämning
Pos Art.no Name

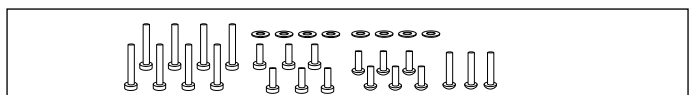
F01 1 **BR251046** Rygg EM PLUS m Sidokil 46x43 Plysch Grå
252469 Backrest EM PLUS w sidewedge 46x43 Plush Grey
2 **BR351046** Rygg EM PLUS med förstärkt Sidokil 46x43 cm Plysch Grå
257469 Backrest EM PLUS w reinforced sidewedge 46x43 Plush Grey

F02 1 **BR251546** Rygg EM PLUS m Sidokil 42x43 Plysch Grå
252468 Backrest EM PLUS w sidewedge 42x43 Plush Grey
2 **BR351546** Rygg EM PLUS med förstärkt Sidokil 42x43 cm Plysch Grå
257468 Backrest EM PLUS w reinforced sidewedge 42x43 Plush Grey

F03 1 **BR252046** Rygg EM PLUS m Sidokil 35x43 Plysch Grå
252463 Backrest EM PLUS w sidewedge 35x43 Plush Grey
2 **BR352046** Rygg EM PLUS med förstärkt Sidokil 35x43 cm Plysch Grå
257463 Backrest EM PLUS w reinforced sidewedge 35x43 Plush Grey

F04 **BR253546** Rygg EM PLUS m Sidokil 30x34 Plysch Grå
252465 Backrest EM PLUS w sidewedge 30x34 Plush Grey

G01 Skruv sats för montering av rygg och ryggfällning
Screw kit for backrest assembly

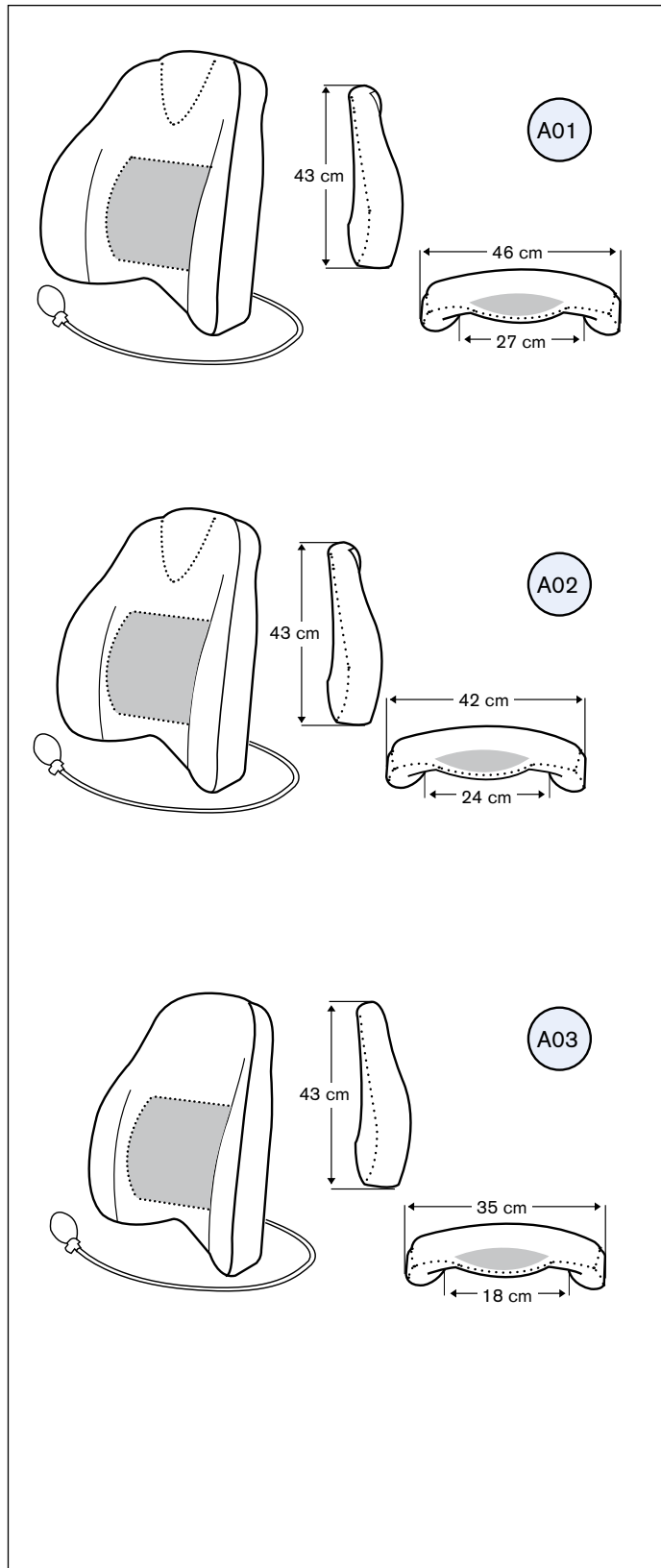


G01 **803270** Skruvsats f montering av rygg och ryggfällning
Screw kit for backrest assembly

Stycklista - Ryggplatta

Part list - Backrest

A Ryggar ErgoMedic PLUS Comfort
Backrest ErgoMedic PLUS comfort



Pos Art.nr Benämning
Pos Art.no Name

A01 BR211046 Rygg ErgoMedic PLUS 46x43 Comfort Plysch Grå
254469 Backrest ErgoMedic PLUS 46x43 Comfort Grey Plush

A02 BR211546 Rygg ErgoMedic PLUS 42x43 Comfort Plysch Grå
254468 Backrest ErgoMedic PLUS 42x43 Comfort Grey Plush

A03 BR212046 Rygg ErgoMedic PLUS 35x43 Comfort Plysch Grå
254463 Backrest ErgoMedic PLUS 35x43 Comfort Grey Plush

B01 Skruv sats för montering av rygg och ryggfällning
Screw kit for backrest assembly

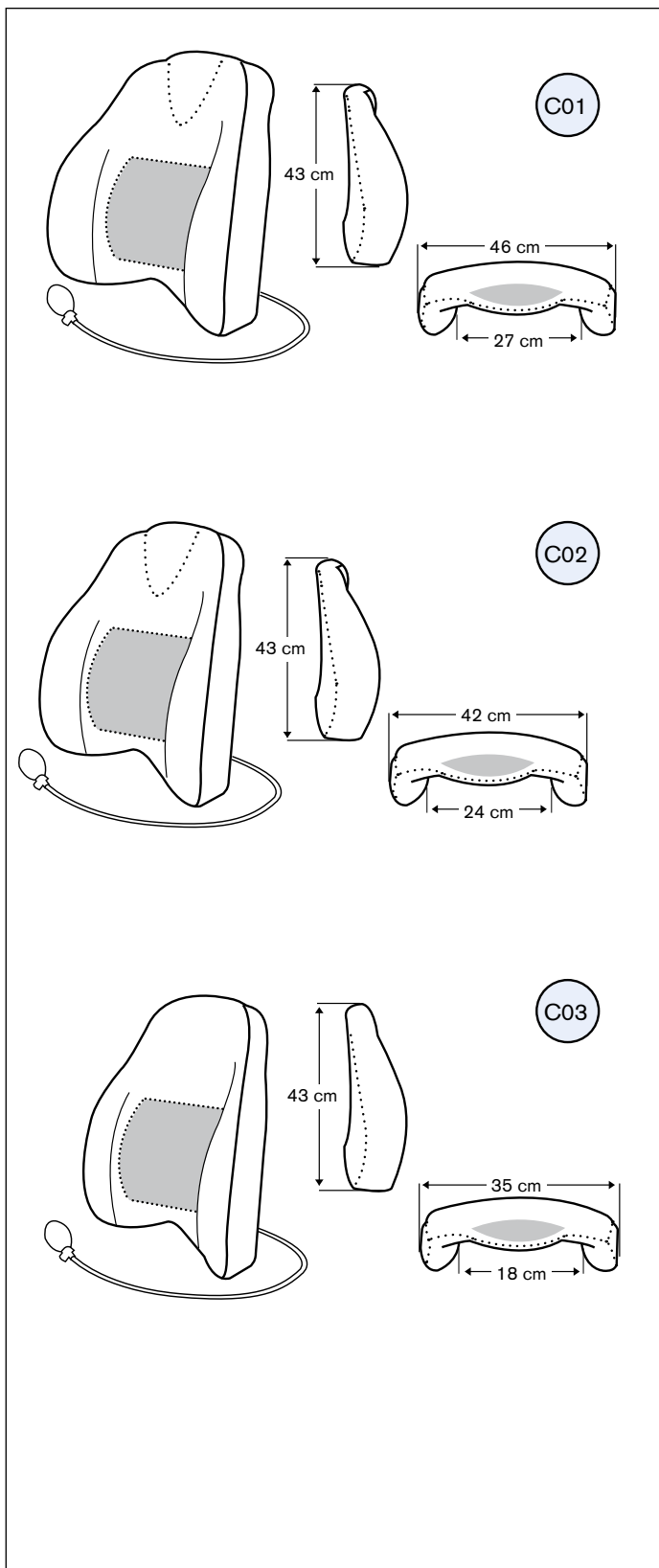


B01 803270 Skruvsats f montering av rygg och ryggfällning
Screw kit for backrest assembly

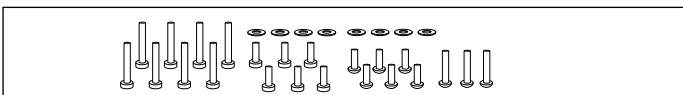
Stycklista - Ryggplatta

Part list - Backrest

C Ryggar ErgoMedic PLUS Comfort med sidokil
Backrest ErgoMedic PLUS Comfort with wedge



D01 Skruv sats för montering av rygg och ryggfällning
Screw kit for backrest assembly



Pos Art.nr Benämning
Pos Art.no Name

Pos	Art.nr	Benämning
C01 1	BR261046 255469	Rygg EM PLUS m Sidokil 46x43 Comfort Plysch Grå Backrest EM PLUS w Sidewedge 46x43 Comfort Grey Plush
2	BR361046 258469	Rygg EM PLUS med förstärkt Sidokil 46x43 cm Comfort Plysch Grå Backrest EM PLUS w reinforced wedge Comfort 46x43

Pos	Art.nr	Benämning
C02 1	BR261546 255468	Rygg EM PLUS m Sidokil 42x43 Comfort Plysch Grå Backrest EM PLUS w Sidewedge 42x43 Comfort Grey Plush
2	BR361546 258468	Rygg EM PLUS med förstärkt Sidokil 42x43 cm Comfort Plysch Grå Backrest EM PLUS w reinforced wedge Comfort 42x43

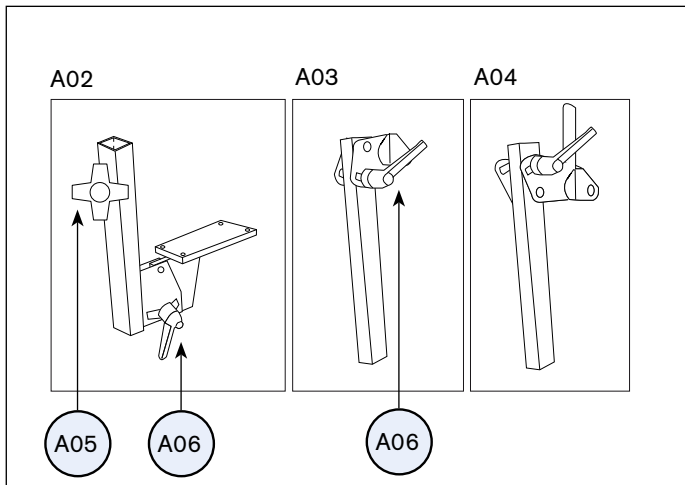
Pos	Art.nr	Benämning
C03 1	BR262046 255463	Rygg EM PLUS m Sidokil 35x43 Comfort Plysch Grå Backrest EM PLUS w Sidewedge 35x43 Comfort Grey Plush
2	BR362046 258463	Rygg EM PLUS med förstärkt Sidokil 35x43 cm Plysch Grå Backrest EM PLUS w reinforced wedge Comfort 35x43

D01 803270 Skruvsats f montering av rygg och ryggfällning
Screw kit for backrest assembly

Stycklista - Ryggmekanism Standard, EL & Comfort

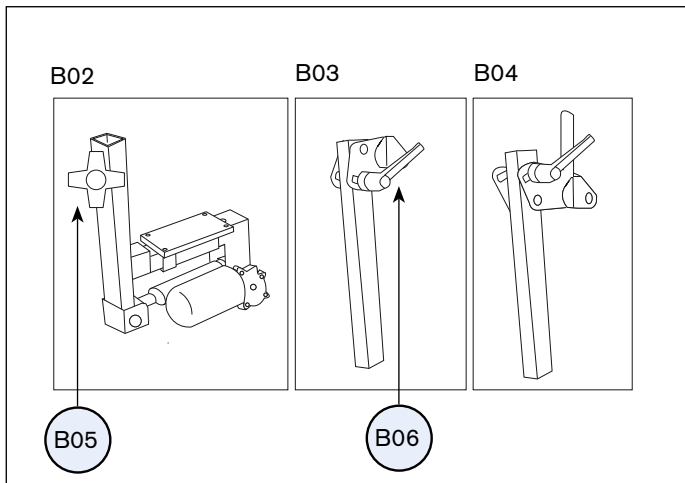
Part list - Backrest mechanism

A01 Standard ErgoMedic Standard ErgoMedic



Pos	Art.nr	Benämning
Pos	Art.no	Name
A01	1	BRM1000 Ryggmekanism Standard ErgoMedic Låg rygg 801748 Backrest adjustment Standard ErgoMedic Low back
	2	BRM4000 Ryggmekanism Standard ErgoMedic Hög rygg 801747 Backrest adjustment Standard ErgoMedic High back
A02	800842	Ryggfällning Std. Cla/ErgoM Backrest mechanism Std.Cla/ErgoM
A03	801265	Ryggstolpe Standard. ErgoMedic Låg rygg Back pole Std Cla/ ErgoMedic Low back
A04	800841	Ryggstolpe Standard ErgoMedic Hög rygg Back pole Standard ErgoMedic High back
A05	803004	Stjärnratt Plus M8x20 (braga gummerad) Gummed knob M8x20 PLUS
A06	803006	Låsspak Plus M8 (inv gänga) (braga gummerad) Gummed handle M8 PLUS

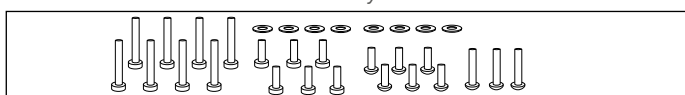
B01 EL Electric



B01	1	801300 Ryggmekanism EL Låg rygg Electric backrest adjustment Low back
	2	801817 Ryggmekanism EL Hög rygg Electric backrest adjustment High back
B02	804499	Eldonssats f ryggvinkel f reläkort Real 9000 Electric kit f. backrest angle
B03	801265	Ryggstolpe Std. ErgoM Låg rygg Back pole Std Cla/ Ergo Medic Low back
B04	800841	Ryggstolpe Std. ErgoM Hög rygg Back pole Std. Ergo Medic High back
B05	803004	Stjärnratt Plus M8x20 (braga gummerad) Gummed knob M8x20 PLUS
B06	803006	Låsspak Plus M8 (inv gänga) (braga gummerad) Gummed handle M8 PLUS

Se sid 36 för reglage

D01 Skruv sats för montering av rygg och ryggfällning Screw kit for backrest assembly

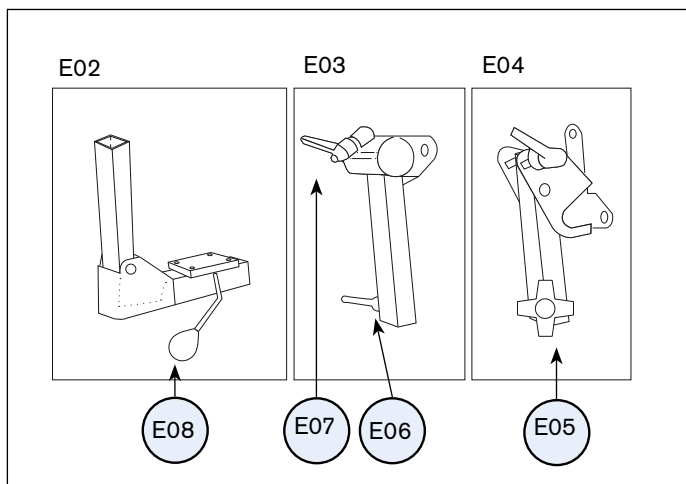


D01	803270	Skruvsats för montering av rygg och ryggfällning Screw kit for backrest assembly
-----	---------------	---

Stycklista - Ryggmekanism Comfort Coxit

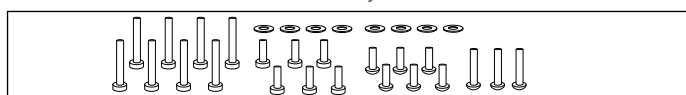
Part list - Backrest mechanism

E01 Comfort Coxit
Comfort Coxit



Pos	Art.nr	Benämning
Pos	Art.no	Name
E01 1	801745	Ryggmekanism Comfort ErgoMedic Djup Låg rygg Backrest adjustment Comfort ErgoMedic Depth Low back
2	801744	Ryggmekanism Comfort ErgoMedic Djup Hög rygg Backrest adjustment Comfort ErgoMedic Depth High back
E02	801771	Ryggfällning Comfort ErgoMedic Djup 350 N Djupt sittdjup Backrest mech Comfort ErgoMedic 350 N Deep seatdepth
E03	801088	Ryggstolpe Medic/Comfort ErgoMedic Låg rygg Back pole Medic/Comfort ErgoMedic Low back
E04	801737	Ryggstolpe Medic/Comfort ErgoMedic Hög rygg Back pole Medic/Comfort ErgoMedic High back
E05	803004	Stjärnratt Plus M8x20 (braga gummerad) Plastic knob Plus M8x20
E06	803012	Låsspak Plus M6x10 (braga gummerad) Gummed handle M6x10 PLUS
E07	803013	Låsspak Plus M6x20 (braga gummerad) Gummed handle M6x20 PLUS
E08	803011	Spak till Comfortryggmekanism Plus Lever for backrest mechanism Comfort PLUS

F01 Skruv sats för montering av rygg och ryggfällning
Screw kit for backrest assembly

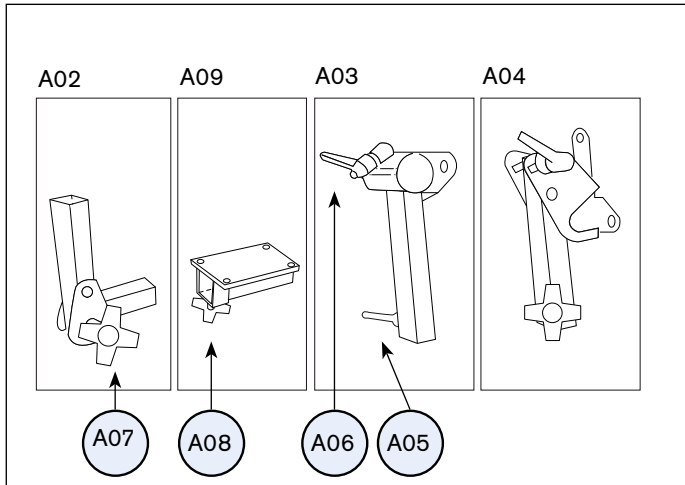


F01 803270 Skruvsats f montering av rygg och ryggfällning
Screw kit for backrest assembly

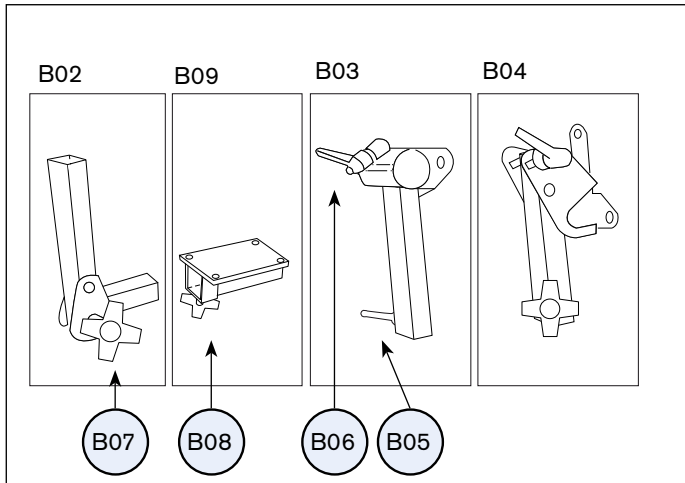
Stycklista - Ryggmekanism Medic 112 Rygg

Part list - Backrest mechanism

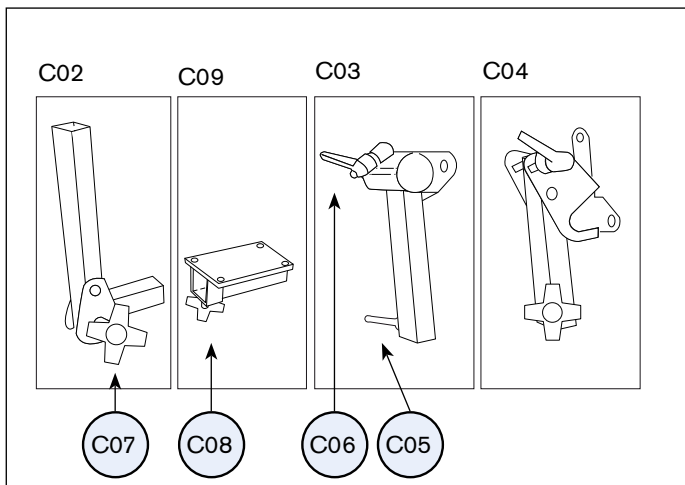
A01 200 x 112 mm (hxd)



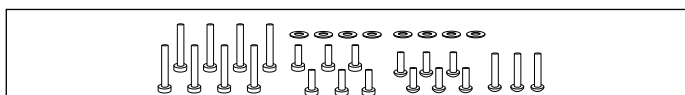
B01 240 x 112 mm (hxd)



C01 340 x 112 mm (hxd)



D01 Skruv sats för montering av rygg och ryggfällning
Screw kit for backrest assembly

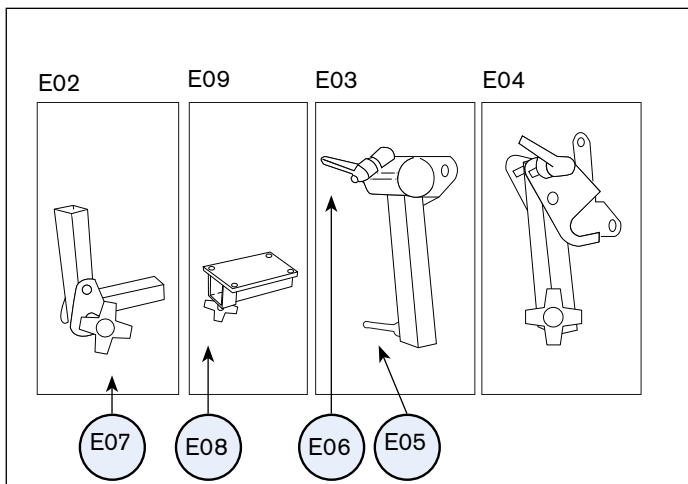


Pos	Art.nr	Benämning
Pos	Art.no	Name
A01	1	BRM1800 Ryggmekanism Medic ErgoMedic S 112 Låg rygg 801930 Backrest adjustment Medic ErgoMedic S Low back 112 mm
	2	BRM4800 Ryggmekanism Medic ErgoMedic S 112 Hög rygg 801932 Backrest adjustment Medic ErgoMedic S High back 112 mm
A02	801923	Ryggfällning Medic 112mm S Cla/ErgoM 200mm Backrest mechanism Medic 112 mm S Cla/ErgoM 200 mm
A03	801928	Ryggstolpe Medic ErgoM S Låg rygg Back pole ErgoM S
A04	801737	Ryggstolpe Medic/Comfort ErgoMedic Hög rygg Back pole Medic/Comfort ErgoMedic High back
A05	803012	Låsspak PLUS M6x10 (braga gummerad) Gummed handle M6x10 PLUS
A06	803013	Låsspak PLUS M6x20 (braga gummerad) Gummed handle M6x20 PLUS
A07	803007	Stjärnratt PLUS M8x1 special (braga gummerad) Gummed knob M8x1
A08	803004	Stjärnratt PLUS M8x20 (braga gummerad) Gummed knob M8x20 PLUS
A09	800837	Ryggfällning fäste Medic Cla/ErgoM Backrestmechanism Medic hold
B01	1	BRM1900 Ryggmekanism Medic ErgoMedic L 112 Låg rygg 801739 Backrest adjustment Medic ErgoMedic L Low back 112 mm
	2	BRM4900 Ryggmekanism Medic ErgoMedic L 112 Hög rygg 801741 Backrest adjustment Medic ErgoMedic L High back 112 mm
B02	801083	Ryggfällning Medic 112mm L Cla/ErgoM 240mm Backrest mechanism Medic 112 mm L Cla/ErgoM 240 mm
B03	801088	Ryggstolpe Medic/Comfort ErgoMedic Låg rygg Back pole Medic/Comfort ErgoMedic Low back
B04	801737	Ryggstolpe Medic/Comfort ErgoMedic Hög rygg Back pole Medic/Comfort ErgoMedic High back
B05	803012	Låsspak PLUS M6x10 (braga gummerad) Gummed handle M6x10 PLUS
B06	803013	Låsspak PLUS M6x20 (braga gummerad) Gummed handle M6x20 PLUS
B07	803007	Stjärnratt PLUS M8x1 special (braga gummerad) Gummed knob M8x1
B08	803004	Stjärnratt PLUS M8x20 (braga gummerad) Gummed knob M8x20 PLUS
B09	800837	Ryggfällning fäste Medic Cla/ErgoM Backrestmechanism Medic hold
C01	1	BRM2000 Ryggmekanism Medic ErgoMedic XL 112 Låg rygg 801934 Backrest adjustment Medic ErgoMedic XL Low back 112 mm
	2	BRM5000 Ryggmekanism Medic ErgoMedic XL 112 Hög rygg 801936 Backrest adjustment Medic ErgoMedic XL High back 112 mm
C02	801085	Ryggfällning Medic 112mm XL Cla/ErgoM 340mm Backrest mechanism Medic 112 mm XL Cla/ErgoM 340 mm
C03	801088	Ryggstolpe Medic/Comfort ErgoMedic Låg rygg Back pole Medic/Comfort ErgoMedic Low back
C04	801737	Ryggstolpe Medic/Comfort ErgoMedic Hög rygg Back pole Medic/Comfort ErgoMedic High back
C05	803012	Låsspak PLUS M6x10 (braga gummerad) Gummed handle M6x10 PLUS
C06	803013	Låsspak PLUS M6x20 (braga gummerad) Gummed handle M6x20 PLUS
C07	803007	Stjärnratt PLUS M8x1 special (braga gummerad) Gummed knob M8x1
C08	803004	Stjärnratt PLUS M8x20 (braga gummerad) Gummed knob M8x20 PLUS
C09	800837	Ryggfällning fäste Medic Cla/ErgoM Backrestmechanism Medic hold
D01	803270	Skruvsats f montering av rygg och ryggfällning Screw kit for backrest assembly

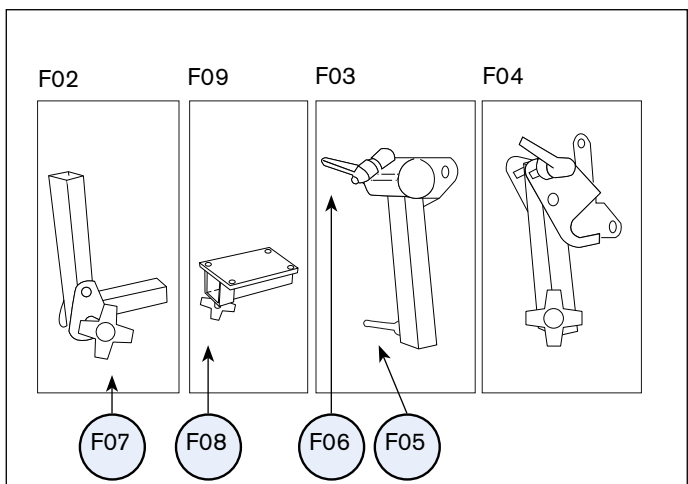
Stycklista - Ryggmekanism Medic 155 Rygg

Part list - Backrest mechanism

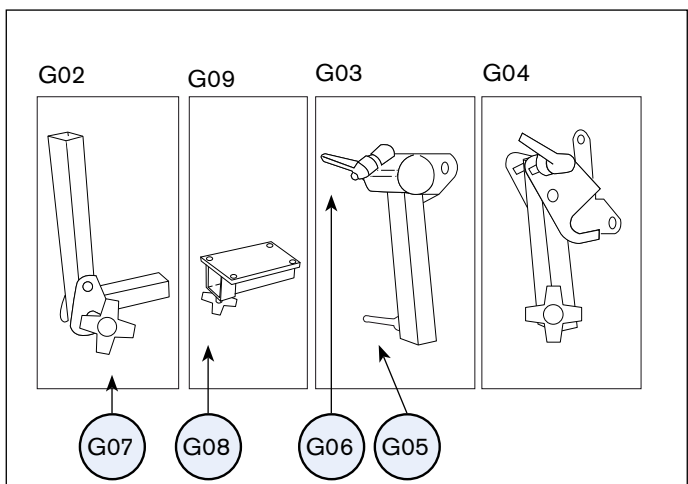
E01 200 x 155 mm (hxd)



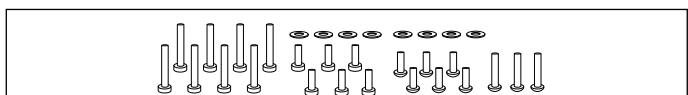
F01 240 x 155 mm (hxd)



G01 340 x 155 mm (hxd)



H01 Skruv sats för montering av rygg och ryggfällning
Screw kit for backrest assembly

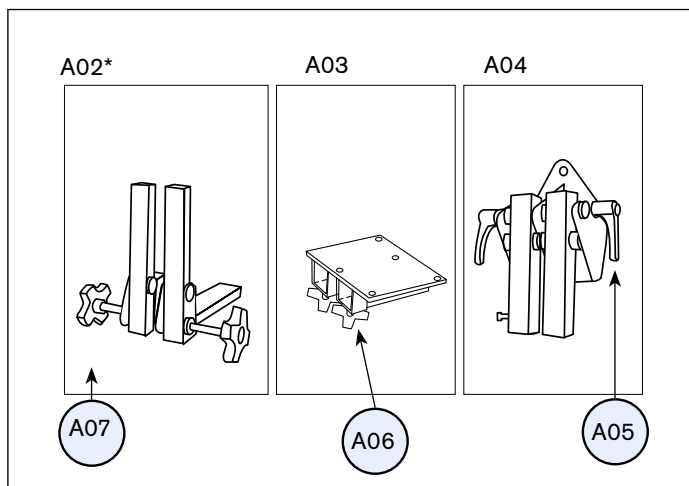


Pos	Art.nr	Benämning
Pos	Art.no	Name
E01	1	BRM1500 Ryggmekanism Medic ErgoMedic S 155 Låg rygg 801929 Backrest adjustment Medic ErgoM S Low back 155 mm
	2	BRM4500 Ryggmekanism Medic ErgoMedic S 155 Hög rygg 801931 Backrest adjustment Medic ErgoM S High back 155 mm
E02	801922	Ryggfällning Medic 155mm S Cla/ErgoM 200mm Backrest mechanism Medic 155 mm S Cla/ErgoM 200 mm
E03	801928	Ryggstolpe Medic ErgoM S Låg rygg Back pole ErgoM S
E04	801737	Ryggstolpe Medic/Comfort ErgoMedic Hög rygg Back pole Medic/Comfort ErgoM High back
E05	803012	Låsspak PLUS M6x10 (braga gummerad) Gummed handle M6x10 PLUS
E06	803013	Låsspak PLUS M6x20 (braga gummerad) Gummed handle M6x20 PLUS
E07	803007	Stjärnratt PLUS M8x1 special (braga gummerad) Gummed knob M8x1
E08	803004	Stjärnratt PLUS M8x20 (braga gummerad) Gummed knob M8x20 PLUS
E09	800837	Ryggfällning fäste Medic Cla/ErgoM Backrestmechanism Medic hold
F01	1	BRM1600 Ryggmekanism Medic ErgoMedic L 155 Låg rygg 801738 Backrest adjustment Medic ErgoMedic L Low back 155 mm
	2	BRM4600 Ryggmekanism Medic ErgoMedic L 155 Hög rygg 801740 Backrest adjustment Medic ErgoMedic L High back 155 mm
F02	801082	Ryggfällning Medic 155mm L Cla/ErgoM 240mm Backrest mechanism Medic 155 mm L Cla/ErgoM 240 mm
F03	801088	Ryggstolpe Medic/Comfort ErgoMedic Låg rygg Back pole Medic/Comfort ErgoMedic L Low back
F04	801737	Ryggstolpe Medic/Comfort ErgoMedic Hög rygg Back pole Medic/Comfort ErgoM High back
F05	803012	Låsspak PLUS M6x10 (braga gummerad) Gummed handle M6x10 PLUS
F06	803013	Låsspak PLUS M6x20 (braga gummerad) Gummed handle M6x20 PLUS
F07	803007	Stjärnratt PLUS M8x1 special (braga gummerad) Gummed knob M8x1
F08	803004	Stjärnratt PLUS M8x20 (braga gummerad) Gummed knob M8x20 PLUS
F09	800837	Ryggfällning fäste Medic Cla/ErgoM Backrestmechanism Medic hold
G01	1	BRM1700 Ryggmekanism Medic ErgoM XL 155 Låg rygg 801933 Backrest adjustment Medic ErgoM XL Low back 155 mm
	2	BRM4700 Ryggmekanism Medic ErgoM XL 155 Hög rygg 801935 Backrest adjustment Medic ErgoM XL High back 155 mm
G02	801084	Ryggfällning Medic 155mm XL Cla/ErgoM 340mm Backrest mechanism Medic 155 mm XL Cla/ErgoM 340 mm
G03	801088	Ryggstolpe Medic/Comfort ErgoM Låg rygg Back pole Medic/Comfort ErgoML Low back
G04	801737	Ryggstolpe Medic/Comfort ErgoM Hög rygg Back pole Medic/Comfort ErgoM High back
G05	803012	Låsspak PLUS M6x10 (braga gummerad) Gummed handle M6x10 PLUS
G06	803013	Låsspak PLUS M6x20 (braga gummerad) Gummed handle M6x20 PLUS
G07	803007	Stjärnratt PLUS M8x1 special (braga gummerad) Gummed knob M8x1
G08	803004	Stjärnratt PLUS M8x20 (braga gummerad) Gummed knob M8x20 PLUS
G09	800837	Ryggfällning fäste Medic Cla/ErgoM Backrestmechanism Medic hold
H01	803270	Skruvsats f montering av rygg och ryggfällning Screw kit for backrest assembly

Stycklista - Ryggmekanism Dubbel Medic

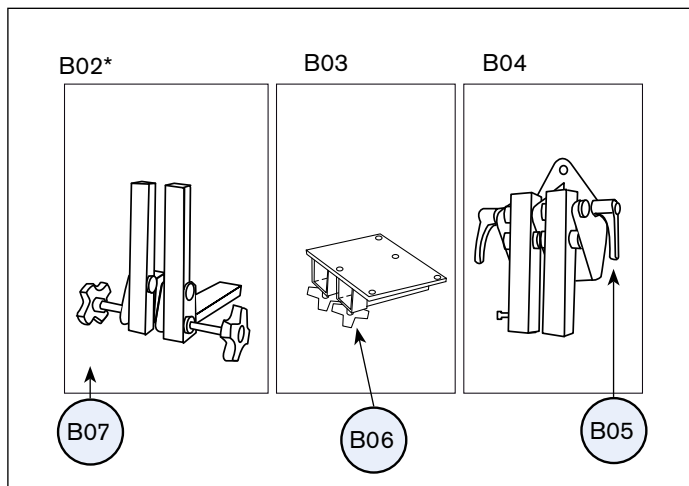
Part list - Backrest mechanism Double Medic

A01 240 x 155 mm (hxd)



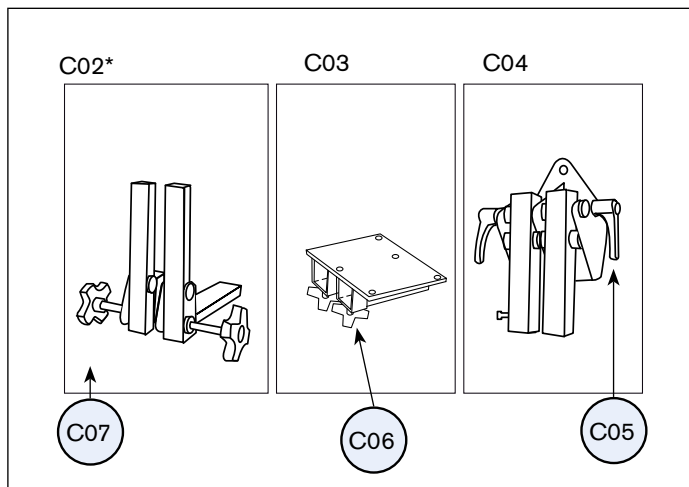
* 2 st 801084 behövs för dubbel medic ryggmekanism

B01 340 x 155 mm (hxd)



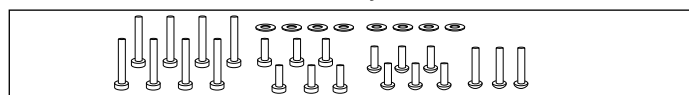
* 2 st 801084 behövs för dubbel medic ryggmekanism

C01 340 x 300 mm (hxd)



* 2 st 801084 behövs för dubbel medic ryggmekanism

D01 Skruv sats för montering av rygg och ryggfällning
Screw kit for backrest assembly



Pos	Art.nr	Benämning
Pos	Art.no	Name
A01	BRM5600	Ryggmekanism Dubbel Medic L DJ 155 Hj 240 Hög rygg 803585 Backrest adjustment Double Medic 240 mm high back
A02	801082	Ryggfällning Medic 155mm L Cla/ErgoM (Övrerör 240mm) Backrest mechanism Medic 155 mm L
A03	802859	Ryggfällning fäste Medic Dubbel ryggfällning Backrest mechanism Double Medic hold
A04	802860	Ryggstolpe Medic Dubbel ryggfälln plats f nackstöd Back pole Double Medic
A05	803006	Låsspak PLUS M8 (braga gummerad) Gummed handle M8 PLUS
A06	803004	Stjärnratt PLUS M8x20 (braga gummerad) Gummed knob M8x20 PLUS
A07	803007	Stjärnratt PLUS M8x1 special (braga gummerad) Gummed knob M8x1

B01	BRM5700	Ryggmekanism Dubbel Medic XL DJ 155 Hj 340 Hög rygg 803586 Backrest adjustment Double Medic 340 mm high back
B02	801084	Ryggfällning Medic 155mm XL Cla/ErgoM (Övrerör 340mm) Backrest mechanism Medic 155 mm XL
B03	802859	Ryggfällning fäste Medic Dubbel ryggfällning Backrest mechanism Double Medic hold
B04	802860	Ryggstolpe Medic Dubbel ryggfälln plats f nackstöd Back pole Double Medic
B05	803006	Låsspak PLUS M8 (braga gummerad) Gummed handle M8 PLUS
B06	803004	Stjärnratt PLUS M8x20 (braga gummerad) Gummed knob M8x20 PLUS
B07	803007	Stjärnratt PLUS M8x1 special (braga gummerad) Gummed knob M8x1

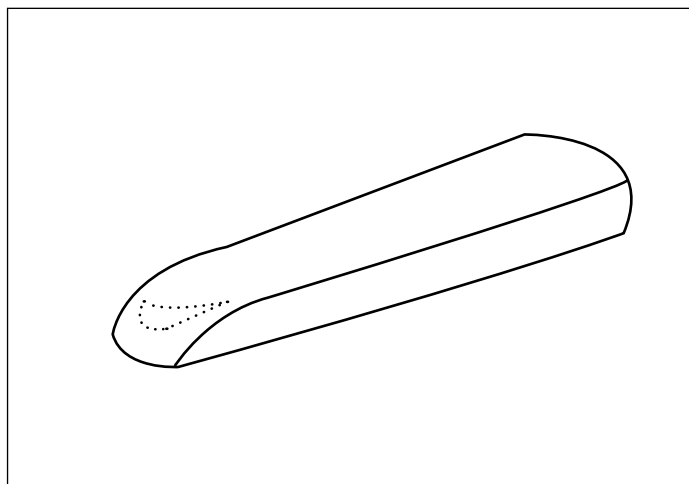
C01	803868	Ryggmekanism Dubbel Medic XL DJ 300 Hj 340 Hög rygg Backrest adj. Double Medic d 300mm h 340mm high back
C02	803867	Ryggfällning Medic 300mm XL Cla/ErgoM (Övrerör 340mm) Backrest mechanism Medic 300 mm XL
C03	802859	Ryggfällning fäste Medic Dubbel ryggfällning Backrest mechanism Double Medic hold
C04	802860	Ryggstolpe Medic Dubbel ryggfälln plats f nackstöd Back pole Double Medic
C05	803006	Låsspak PLUS M8 (braga gummerad) Gummed handle M8 PLUS
C06	803004	Stjärnratt PLUS M8x20 (braga gummerad) Gummed knob M8x20 PLUS
C07	803007	Stjärnratt PLUS M8x1 special (braga gummerad) Gummed knob M8x1

D01	803270	Skruvsats f montering av rygg och ryggfällning Screw kit for backrest assembly
-----	------------------------	---

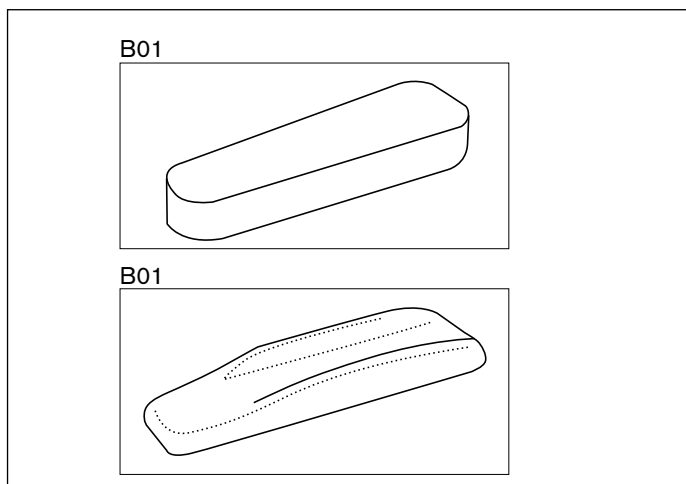
Stycklista - Armstöd

Part list - Armrests

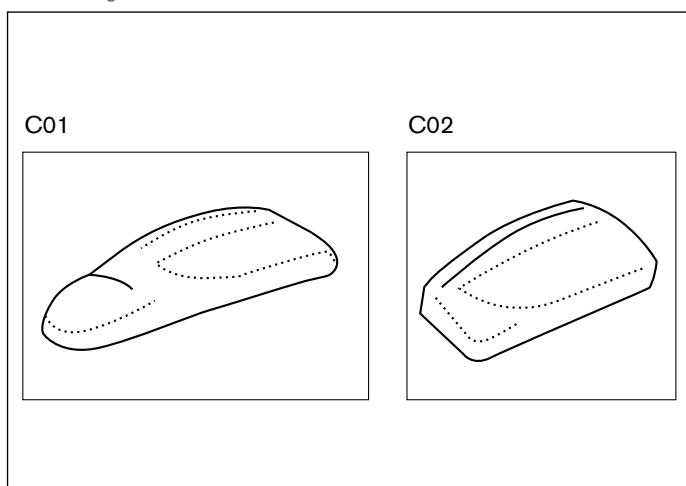
A01 ErgoMedic för armstödsmekanism PLUS
ErgoMedic for armrest mechanism PLUS



B Mobil för mekanism fällbar & Hemiplegi
Mobil for foldable armrest mechanism & Hemiplegi



C ErgoMedic PLUS för mekanism PLUS & mekanism fällbar
ErgoMedic PLUS for PLUS and foldable armrest mechanism



D01 Skruv sats för montering av armstöd
Screw kit for armrest assembly

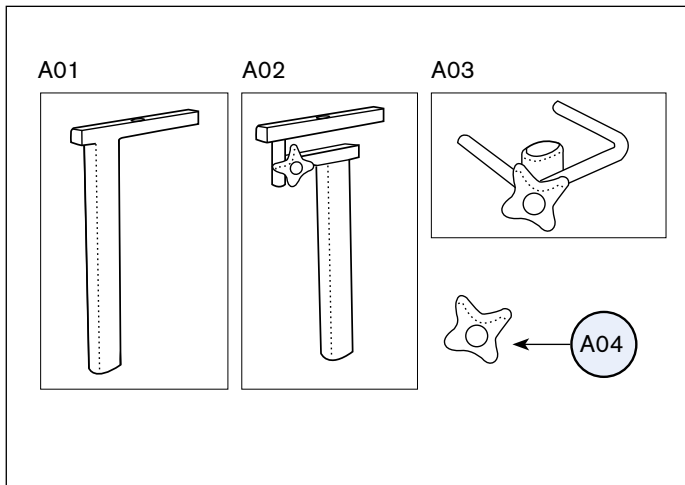


Pos	Art.nr	Benämning
Pos	Art.no	Name
A01 1	AR103038 240380	Armstöd platta ErgoMedic 35 cm Konstläder Svart Armrest Classic 35 cm Skai Black
2	AR102038 240381	Armstöd platta ErgoMedic 30 cm Konstläder Svart Armrest Classic 30 cm Skai Black
3	AR101038 240382	Armstöd platta ErgoMedic 25 cm Konstläder Svart Armrest Classic 25 cm Skai Black
4	AR104038 240383	Armstöd platta ErgoMedic 40 cm Konstläder Svart Armrest Classic 40 cm Skai Black
5	AR153038 246380	Armstöd platta EM f mob. 35 cm Konstläder Svart Armrest EM Mobile 35 cm Skai Black
6	AR152038 246381	Armstöd platta EM f mob. 30 cm Konstläder Svart Armrest EM Mobile 30 cm Skai Black
7	AR151038 246382	Armstöd platta EM f mob. 25 cm Konstläder Svart Armrest EM Mobile 25 cm Skai Black
8	AR112038 242381	Armstöd platta Mini 30 cm Konstläder Svart Armrest Mini 30 cm Skai Black
9	AR111038 242382	Armstöd platta Mini 25 cm Konstläder Svart Armrest Mini 25 cm Skai Black
B01 1	AR303038 245380	Armstöd platta Mobil 35 cm Konstläder Svart Armrest Mobile 35 cm Skai Black
2	AR302038 245381	Armstöd platta Mobil 30 cm Konstläder Svart Armrest Mobile 30 cm Skai Black
3	AR301038 245382	Armstöd platta Mobil 25 cm Konstläder Svart Armrest Mobile 25 cm Skai Black
4	AR304038 245383	Armstöd platta Mobil 40 cm Konstläder Svart Armrest Mobile 40 cm Skai Black
5	AR313038 248380	Armstöd platta Mobil 35 cm Konstläder Svart 9000 Borråd Armrest Mobile 35 cm Skai Black Drilled
6	AR312038 248381	Armstöd platta Mobil 30 cm Konstläder Svart 9000 Borråd Armrest Mobile 30 cm Skai Black Drilled
7	AR311038 248382	Armstöd platta Mobil 25 cm Konstläder Svart 9000 Borråd Armrest Mobile 25 cm Skai Black Drilled
B02	AR406038 244382	Armstöd platta Hemiplegi 45x12 cm Konstläder Svart Armrest Hemiplegi 45x12 cm Skai Black
C01 1	AR205138 243380	Armstöd platta ErgoM PLUS Hö 42 cm Konstläder Svart Armrest ErgoMedic PLUS Right 42 cm Skai Black
2	AR205238 243385	Armstöd platta ErgoM PLUS Vä 42 cm Konstläder Svart Armrest ErgoMedic PLUS Left 42 cm Skai Black
C02 1	AR202138 243381	Armstöd platta ErgoM PLUS Hö 30 cm Konstläder Svart Armrest ErgoMedic PLUS Right 30 cm Skai Black
2	AR202238 243386	Armstöd platta ErgoM PLUS Vä 30 cm Konstläder Svart Armrest ErgoMedic PLUS Left 30 cm Skai Black
D01	803271	Skrivsats f montering armstöd Screw kit for armrest assembly

Stycklista - Armstödsmekanismer

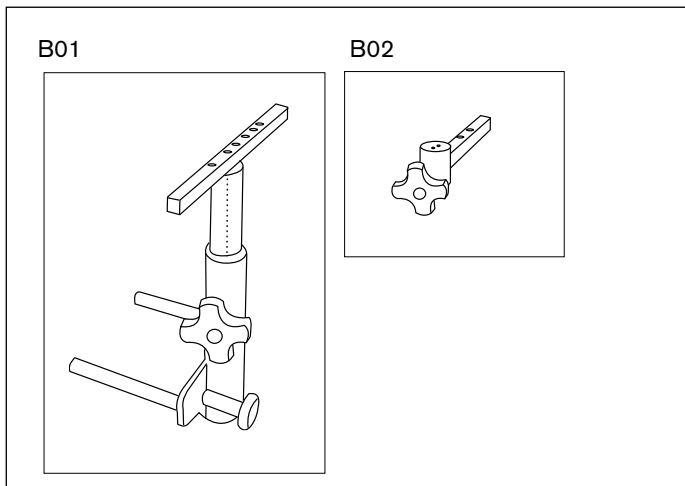
Part list - Armrest mechanisms

A Armstödsmekanism PLUS Armrest mechanism PLUS



Pos	Art.nr	Benämning
Pos	Art.no	Name
A01 1	802700	Armstöd PLUS Höger Höjd 32 <i>Armrest PLUS right, Height 32</i>
2	802702	Armstöd PLUS Vänster Höjd 32 <i>Armrest PLUS left, Height 32</i>
3	802701	Armstöd PLUS Höger Höjd 38 <i>Armrest PLUS right, Height 38</i>
4	802703	Armstöd PLUS Vänster Höjd 38 <i>Armrest PLUS left, Height 38</i>
5	802773	Armstöd Plus Mini Höger <i>Armrest PLUS Mini right</i>
6	802774	Armstöd Plus Mini Vänster <i>Armrest PLUS Mini left</i>
A02 1	802992	Armstöd Hemiplegi Höjd 32 PLUS armstöd Höger <i>Hemiplegic armrest Height 32 PLUS armrest right</i>
2	802993	Armstöd Hemiplegi Höjd 32 PLUS armstöd Vänster <i>Hemiplegic armrest Height 32 PLUS armrest left</i>
A03 1	802698	Armstöd Breddbåge PLUS Höger 9000/6100 <i>U-bar for width adjustment PLUS Right</i>
2	802699	Armstöd Breddbåge PLUS Vänster 9000/6100 <i>U-bar for width adjustment PLUS Left</i>
3	802771	Armstöd Breddbåge Plus Mini Höger <i>U-bar for width adjustment PLUS Mini Right</i>
4	802772	Armstöd Breddbåge Plus Mini Vänster <i>U-bar for width adjustment PLUS Mini Left</i>
A04	803004	Stjärnratt Plus M8x20 (Braga gummerad) <i>Gummed knob M8x20 PLUS</i>

B Armstödsmekanism fällbar Foldable armrest mechanism

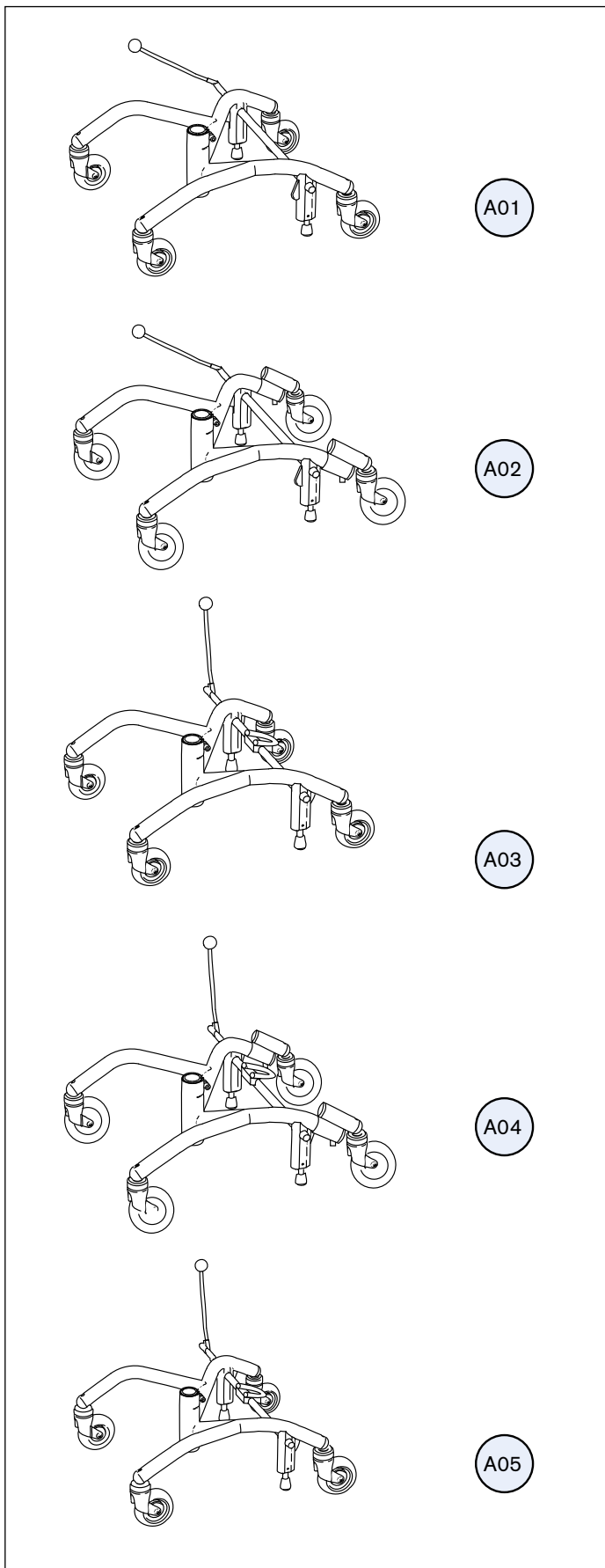


B01 1	ARM3011	Armstöd mekanism 6100 kpl. Höger B >40 (Vuxen) 600126 <i>Armrest mechanism 6100 right Compl. >40</i>
2	ARM3012	Armstöd mekanism 6100 kpl. Vänster B >40 (Vuxen) 600125 <i>Armrest mechanism 6100 left Compl. >40</i>
3	ARM3111	Armstöd mekanism 6100 kpl. Vs Höger Br>40 (Vuxen) 600170 <i>Armrest mechanism 6100 right Compl. angle adjustable >40</i>
4	ARM3112	Armstöd mekanism 6100 kpl. Vs Vänster Br>40 (Vuxen) 600169 <i>Armrest mechanism 6100 left Compl. angle adjustable >40</i>
B02 1	802991	Hemiplegi mekanism för fällbara armstöd Hö+Vä <i>Hemiplegic mechanism for foldable armrest Right+Left</i>
2	802989	Hemiplegi mekanism för fällbara armstöd Höger <i>Hemiplegic mechanism for foldable armrest Right</i>
3	802990	Hemiplegi mekanism för fällbara armstöd Vänster <i>Hemiplegic mechanism for foldable armrest Left</i>

Stycklista - Stativ REAL 9000 PLUS

Part list - Base REAL 9000 PLUS

A



Pos	Art.nr	Benämning
Pos	Art.no	Name

A01	1	802659 Stativ 9000 PLUS 48 100 XL Svart <i>Base 9000 PLUS 48 100 XL Black</i>
	2	802660 Stativ 9000 PLUS 48 100 SL Svart <i>Base 9000 PLUS 48 100 SL Black</i>
	3	803500 Stativ 9000 PLUS 48 100 BXL Svart <i>Base 9000 PLUS 48 100 BXL Black</i>

A02	1	803292 Stativ 9000 PLUS 48 125 XL m Stativförlängare bak <i>Base 9000 PLUS 48 125 XL base extensions back</i>
	2	803293 Stativ 9000 PLUS 48 150 XL m Stativförlängare bak <i>Base 9000 PLUS 48 150 XL base extensions back</i>

A03	1	803090 Stativ 9000 PLUS 48 klinik Omvänd broms 100 XL Svart <i>Base 9000 PLUS reversed brake 48 100 XL Black</i>
	2	803290 Stativ 9000 PLUS 48 klinik Omvänd broms 100 SL Svart <i>Base 9000 PLUS reversed brake 48 100 SL Black</i>
	3	803501 Stativ 9000 PLUS 48 klinik Omvänd broms 100 BXL Svart <i>Base 9000 PLUS reversed brake 48 100 BXL Black</i>

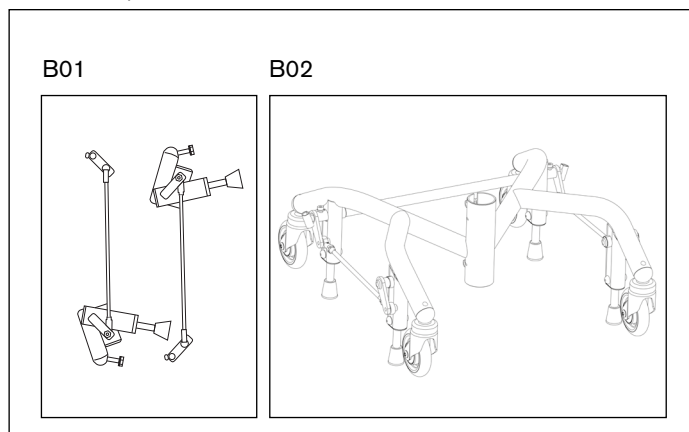
A04	1	803294 Stativ 9000 PLUS Klinik 48 125 XL m Stativförlängare bak <i>Base 9000 PLUS Clinic 48 125 XL base extensions back</i>
	2	803295 Stativ 9000 PLUS Klinik 48 150 XL m Stativförlängare bak <i>Base 9000 PLUS Clinic 48 150 XL base extensions back</i>

A05	1	802657 Stativ 9000 PLUS 43 100 XL <i>Base 9000 PLUS 43 100 XL</i>
	2	802658 Stativ 9000 PLUS 43 100 SL <i>Base 9000 PLUS 43 100 SL</i>
	3	803299 Stativ 9000 PLUS 43 100 BXL <i>Base 9000 PLUS 43 100 BXL</i>
	4	803085 Stativ 9000 PLUS 43 mini 100 XL Svart <i>Base 9000 PLUS 43 mini 100 XL Black</i>
	5	803086 Stativ 9000 PLUS 43 mini 100 SL Svart <i>Base 9000 PLUS 43 mini 100 SL Black</i>
	6	803087 Stativ 9000 Plus 43 mini 100 BXL Svart <i>Base 9000 PLUS 43 mini 100 BXL Black</i>

Stycklista - Stativ och bromsar

Part list - Base and brakes

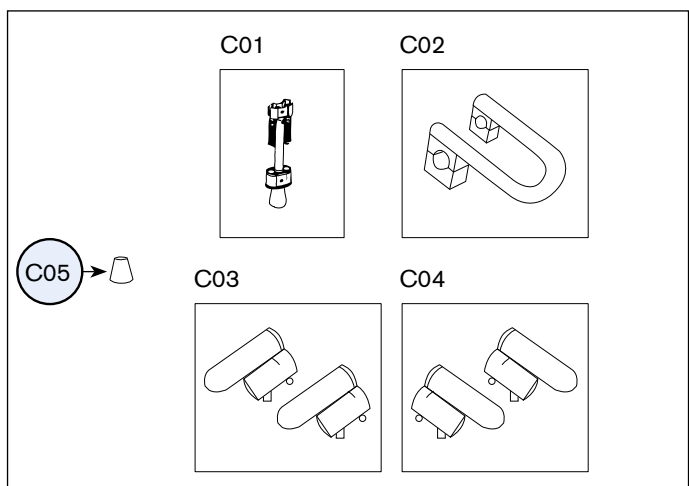
B Fyrpunktsbroms Fourpoint brake



Pos **Art.nr** **Benämning**
Pos Art.no Name

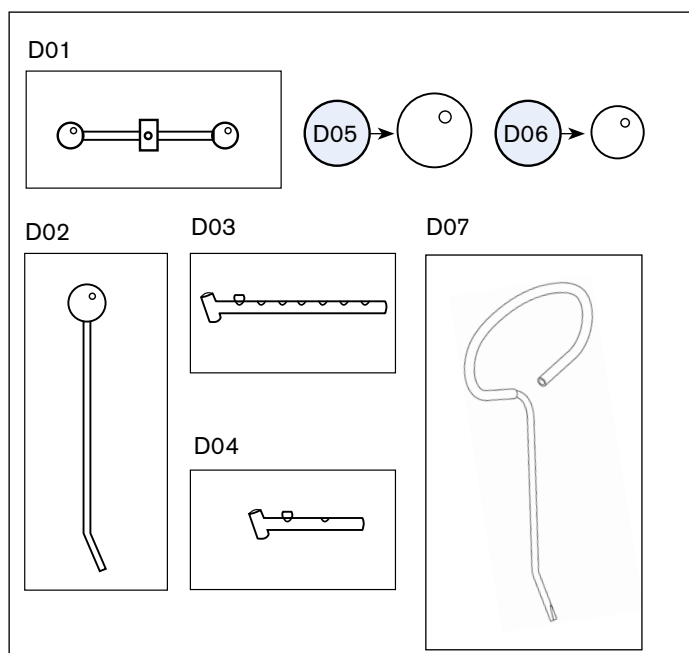
- B01 **803503** Fyrbroms kit till PLUS-stativ 43/48 inkl stativförlängare fram
Fourpoint brake for PLUS frame 48 incl. base extensions in front
- B02 **804270** Stativ 9000 PLUS 48 4-bromsat 100 XL omvänd broms Svart
Base 9000 PLUS 48 4-braked 100 XL reversed brake Black
- 804271** Stativ 9000 PLUS 48 4-bromsat 100 SL omvänd broms Svart
Base 9000 PLUS 48 4-braked 100 SL reversed brake Black
- 804272** Stativ 9000 PLUS 48 4-bromsat 100 BXL omvänd broms Svart
Base 9000 PLUS 48 4-braked 100 BXL reversed brake Black

C Bromsar och stativförlängare Brakes and base extenders



- C01 1 **802810** Bromsben 9000 f PLUS-stativ f 100mm hjul
Brake leg for PLUS base for castors 100 mm
- 2 **803504** Bromsben 9000 f PLUS-stativ f 125mm Hjul kpl m alla fästet.
Brake leg for PLUS base for castors 125 mm
- 3 **803505** Bromsben 9000 f PLUS-stativ f 150mm Hjul kpl m alla fästet.
Brake leg for PLUS base for castors 150 mm
- C02 **802865** Bromspedal för PLUS-stativ 20mm bromsaxeldiameter
Brake pedal for PLUS base
- C03 **BEX10** Stativförlängare fram f PLUS-stativ M12
802936 Base extensions front
- C04 **BEX20** Stativförlängare bak f PLUS-stativ M12
802871 Base extensions back
- C05 **801264** Bromsfot Diam 32 mm
Brake rubber 32 mm

D Broms Brake

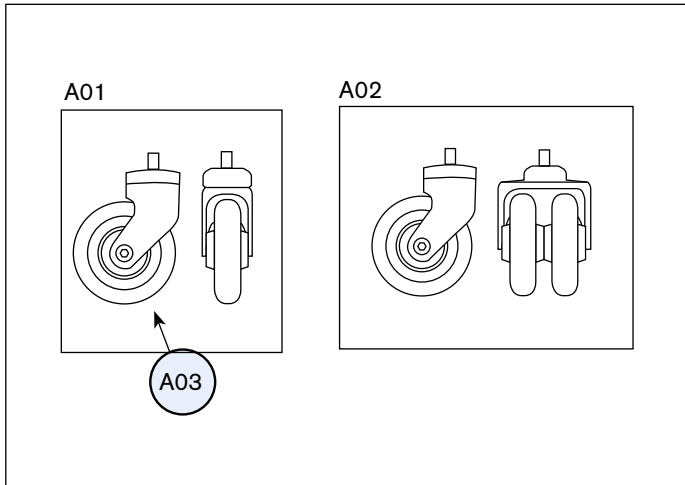


- D01 1 **RC1010** Reumatikerkryss till Handbromsspak
800785 Rheumatic cross for hand brake lever
- D02 1 **BD1020** Handbromsspak 25 cm f PLUS-stativ
800881 Brake lever 25 cm for PLUS-base
- 2 **BD1010** Handbromsspak 35 cm Vinklad f PLUS-Stativ
802866 Brake lever 35 cm, angled for PLUS-base
- 3 **BD1030** Handbromsspak 45 cm Vinklad f PLUS-stativ
802868 Brake lever 45 cm, angled for PLUS-base
- 4 **BD1040** Handbromsspak 55 cm vinklad f PLUS-stativ
800885 Brake lever 55 cm, angled for PLUS-base
- D03 **802800** Bromsspaksfäste f PLUS-stativ justerbart (7 lägen)
Bracket for brake lever, 7 positions
- D04 **802799** Bromsspaksfäste f PLUS-stativ justerbart (2 lägen)
Bracket for brake lever, 2 positions
- D05 **LB1010** Kula handbromsspak diam 50mm
801625 Large ball grip 50 mm for brake lever
- D06 **801014** Kula Handbromsspak Diam 35mm
Large ball grip 35 mm for brake lever
- D07 **BD1110** Handbromsspak 35 cm m ögla f Plus-stativ
Brake lever 35 cm with loop f Plus-base

Stycklista - Hjul

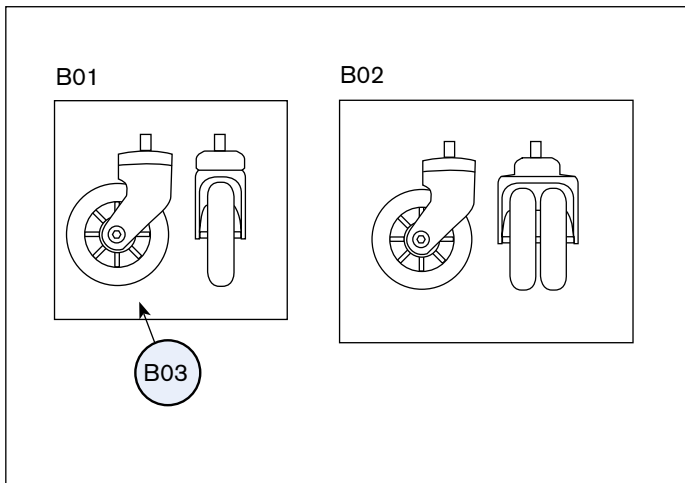
Part list - Castors

A XL Hjul - Allround XL castor -Allround



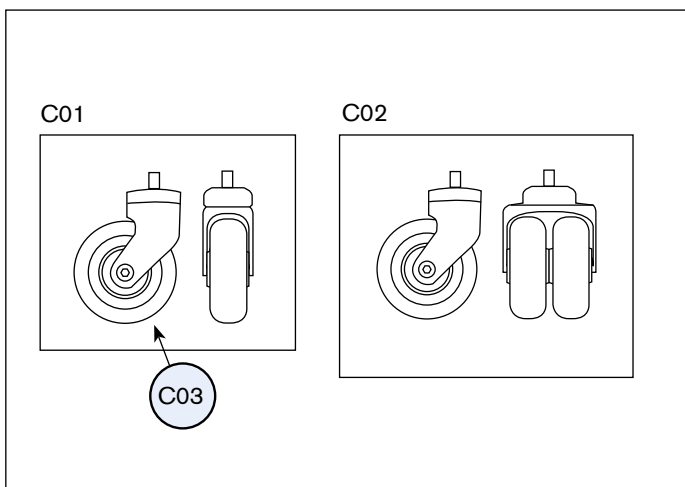
Pos	Art.nr	Benämning
Pos	Art.no	Name
A01	1 801213	Länkhjul 100 XL M12 Castor 100mm XL M12
	2 800903	Länkhjul 100 XL tröga M12 Castors 100mm XL stagnant M12
A02	802942	Länkhjul Dubbelt 100 XL M12 Castor double 100mm XL M12
A03	801360	Hjul 100 XL m kullager utan bygel Castors without fork 100 mm XL with SKF-Ball bearing

B SL Hjul - För hårda golv SL castor -Hard surfaces



B01	801144	Länkhjul 100 SL M12 Castor 100mm SL M12
B02	802943	Länkhjul Dubbelt 100 SL M12 Castor double 100mm SL M12
B03	801638	Hjul 100 SL inklusive kullager utan bygel Castors without fork 100 mm SL with SKF-Ball bearing

C BXL Hjul - För mjuka golv BXL castor -Soft surfaces

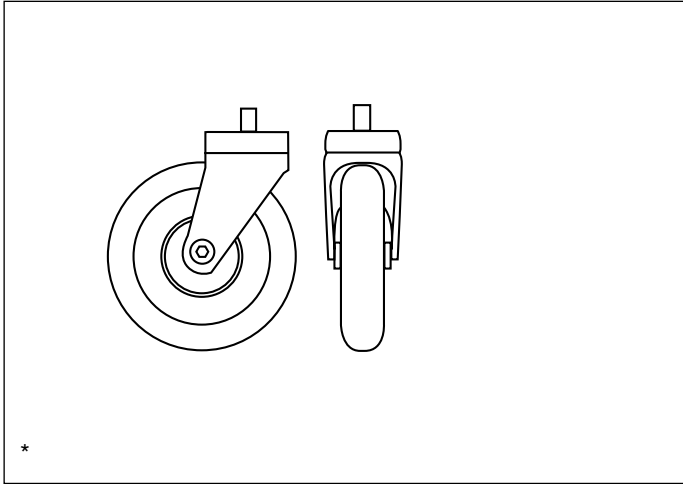


C01	803162	Extra brett lätttrullat länkhjul, BXL 100 mm Extra wide easy-rolled castor
C02	803181	Extra brett lätttrullat dubbelt länkhjul, BXL 100 mm Extra wide easy-rolled double castor
C03	803161	Hjul 100 BXL Polyuretan Extra brett XL-hjul utan bygel Castors without fork 100 BXL polyurethane black

Stycklista - Hjul

Part list - Castors

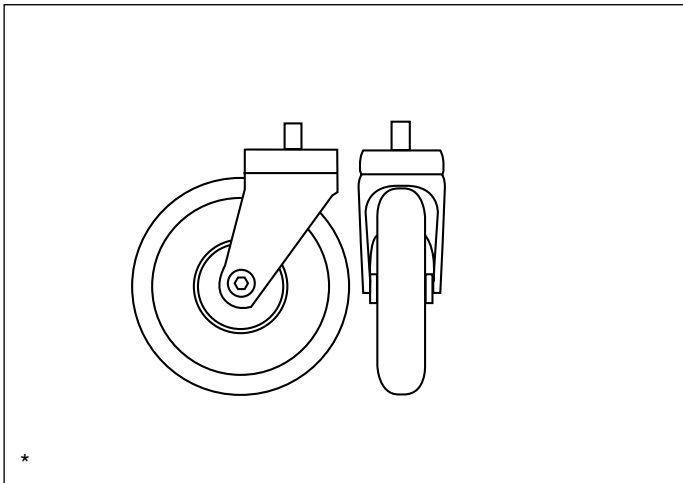
D01 Länkhjul 125 mm - För trösklar
125 castor - Threshold



Pos	Art.nr	Benämning
Pos	Art.no	Name

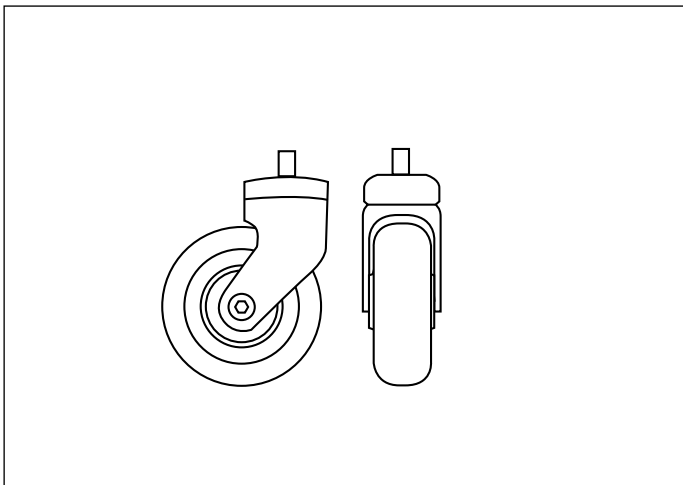
D01	800904	Länkhjul 125 mm XL Castor 125 mm M12
-----	--------	---

E01 Länkhjul 150 mm - För trösklar
150 castor - Threshold



E01	800905	Länkhjul 150 mm XL Castor 150 mm M12
-----	--------	---

F01 ESD hjul
ESD castor



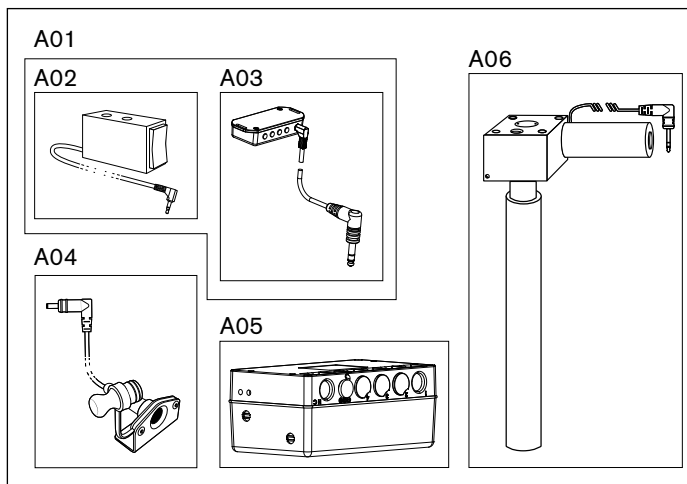
F01	802066	Länkhjul 100 mm ESD M12 kpl. m bygel. Extra bred bana Castor 100 mm ESD M12, extra wide wheel path
-----	--------	---

*Stativförlängare måste användas !
*Base extenders must be used !

Stycklista - Elektronik Manöverbox

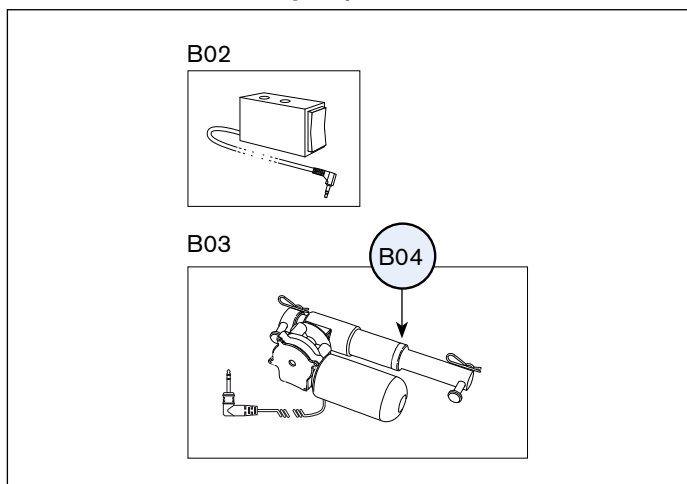
Part list - Electronics

A Elektronik för upp & ner Electronics for up & down



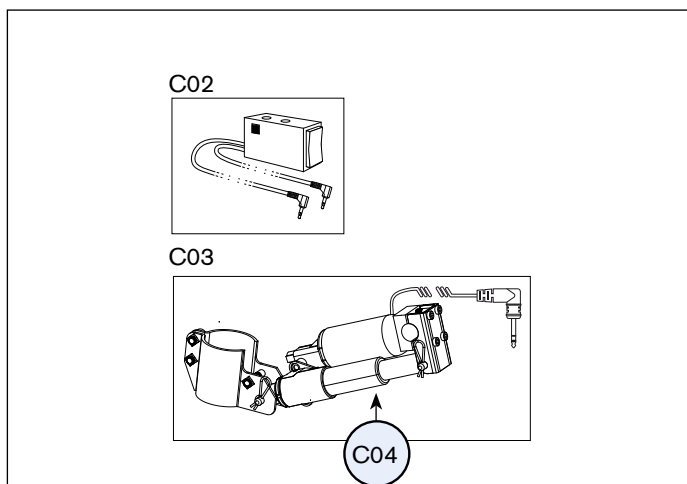
Pos	Art.nr	Benämning
Pos	Art.no	Name
A01	804552	Kontaktbox 4 funkt för manbox samt Manbox f upp/ner 24V 1G Switchbox 4-function for remote + remote for up/down 24V 1G
A02	1 804617	Manbox f upp/ner med tunga kpl med kablage 24V 1G Remote for up/down w. ext. button cpl.with cabling 24V 1G
	2 804487	Manbox f upp/ner utan tunga kpl med kablage 24V 1G Remote for up/down w/o ext. button cpl.with cabling 24V 1G
A03	804489	Kontaktbox 4 funkt för manbox 24V 1G Switchbox 4-function for remote 24V 1G
A04	804550	Laddkontakt med kabel med fäste f under sits 24V 1G Charging adapter w. cable for mounting under seat 24V 1G
A05	804572	Elsystem styrlåda 24V 1G Electric system 24V 1G
A06	804491	Ellyftomat 20 cm 24V 1G Electric height adjustment 20 cm 24V 1G
	804493	Ellyftomat 28 cm 24V 1G Electric height adjustment 28 cm 24V 1G

B01 Elektronik för sitsvinkling Electronics for seat angle adjustment



B01	1 804620	Eldonssats sitstilt Inkl manbox med tunga 24V 1G Electric kit for seat angle incl. remote w. ext. button 24V 1G
	2 804484	Eldonssats sitstilt Inkl manbox utan tunga 24V 1G Electric kit for seat angle incl. remote w/o ext. button 24V 1G
B02	1 804618	Manbox f rygg/sitstilt med tunga kpl med kablage 24V 1G Remote for back/seat angle cpl.with cabling 24V 1G
	2 804486	Manbox f rygg/sitstilt utan tunga kpl med kablage 24V 1G Remote w/o ext. button for back/seat angle cpl.with cabling 24V 1G
B03	1 804500	Eldonssats sitstilt 15/8 24V 1G Electric kit for seat angle 15/8 24V 1G
	2 804636	Eldonssats sitstilt 15/15 24V 1G Electric kit for seat angle 15/15 24V 1G
B04	1 804635	Eldon sitstilt 15/8 24V 1G Actuator for seat angle 15/8 24V 1G
	2 804501	Eldon sitstilt 15/15 24V 1G Actuator for seat angle 15/15 24V 1G

C01 Elektronik för broms Electronics for brake

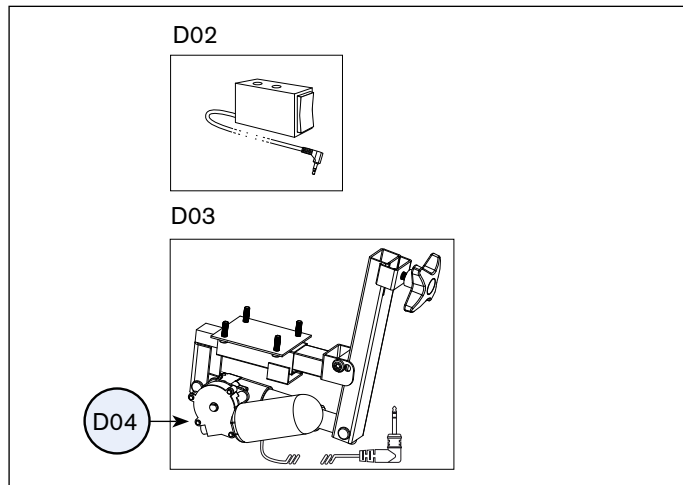


C01	1 804621	Eldonssats broms Inkl manbox med tunga 24V 1G Electric kit for seat angle incl. remote w. ext. button 24V 1G
	2 804482	Eldonssats broms Inkl manbox utan tunga 24V 1G Electric kit for seat angle incl. remote w/o ext. button 24V 1G
C02	1 804619	Manbox f upp-ner broms med tunga kpl med kablage 24V 1G Remote for up/down+brake w. ext. button cpl.with cabling 24V 1G
	2 804547	Manbox f upp-ner broms utan tunga kpl med kablage 24V 1G Remote w/o ext. button for up/down+brake cpl.with cabling 24V 1G
C03	804498	Eldonssats broms 24V 1G Electric kit for brake 24V 1G
C04	804502	Eldon broms 24V 1G Actuator for electric brake 24V 1G

Stycklista - Elektronik Manöverbox forts.

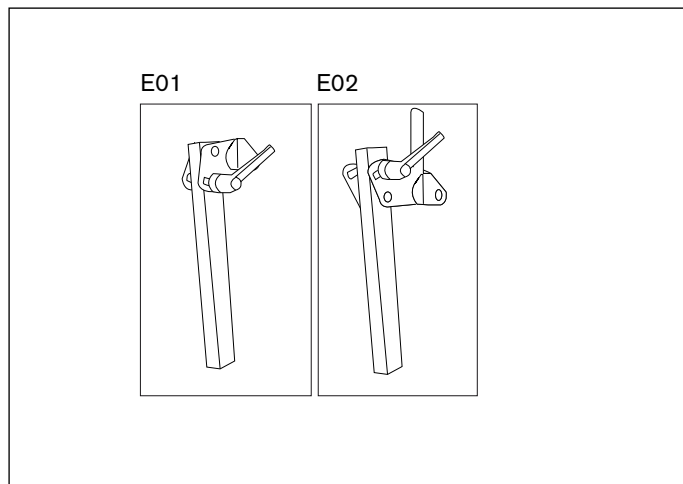
Part list - Electronics

D01 Elektronik för ryggvinkling
Electronics for backrest angle



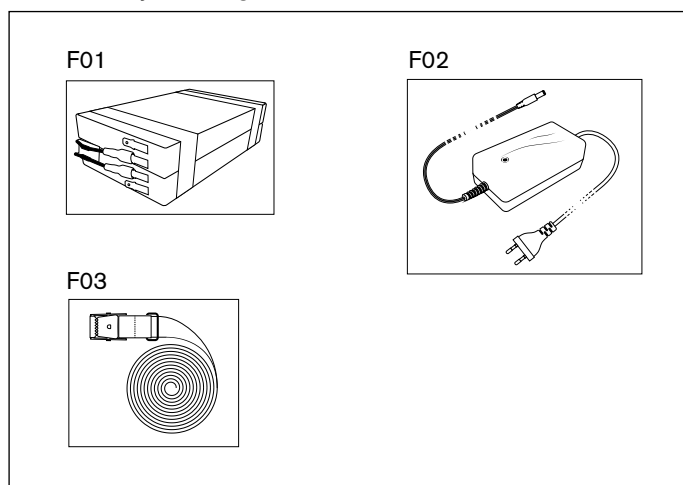
Pos	Art.nr	Benämning
Pos	Art.no	Name
D01 1	804622	Eldonssats ryggfällning Inkl manbox med tunga 24V 1G Electric kit for backrest angle incl. remote w. ext. button 24V 1G
2	804483	Eldonssats ryggfällning Inkl manbox utan tunga 24V 1G Electric kit for backrest angle incl. remote w/o ext. button 24V 1G
D02 1	804618	Manbox f rygg/sitstilt med tunga kpl med kablage 24V 1G Remote w. ext. button for back/seat angle cpl.with cabling 24V 1G
2	804486	Manbox f rygg/sitstilt utan tunga kpl med kablage 24V 1G Remote w/o ext. button for back/seat angle cpl.with cabling 24V 1G
D03	804499	Eldonssats ryggvinkling 24V 1G Electric kit for backrest angle 24V 1G
D04	804488	Eldon ryggvinkling 24V 1G Actuator for backrest angle 24V 1G

E Ryggstolpe för Elrygg
Back pole for electric backrest



E01	801265	Ryggstolpe Standard. ErgoMedic Låg rygg Back pole Std Cla/ ErgoMedic Low back
E02	800841	Ryggstolpe Standard ErgoMedic Hög rygg Back pole Standard ErgoMedic High back

F Batteri och laddare
Battery and charger

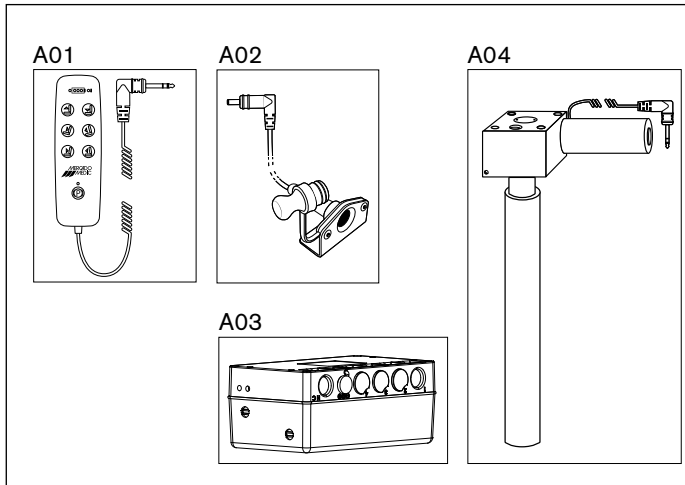


F01	804496	Batteripack 24V 1G 2Ah Battery pack 24V 1G 2Ah
F02	804428	Batteriladdare 24V 1G för arbetsstolar Battery charger 24V 1G for working chairs
	804823	Nätaggregat f urkoppling av batteri 24V 1G Power supply for battery disconnection 24V 1G
F03	804551	Fästband Batteri L850mm B 18mm Svart f Elstol Cord for battery L 850 mm W 18 mm Black

Stycklista - Elektronik Handkontroll m. sladd

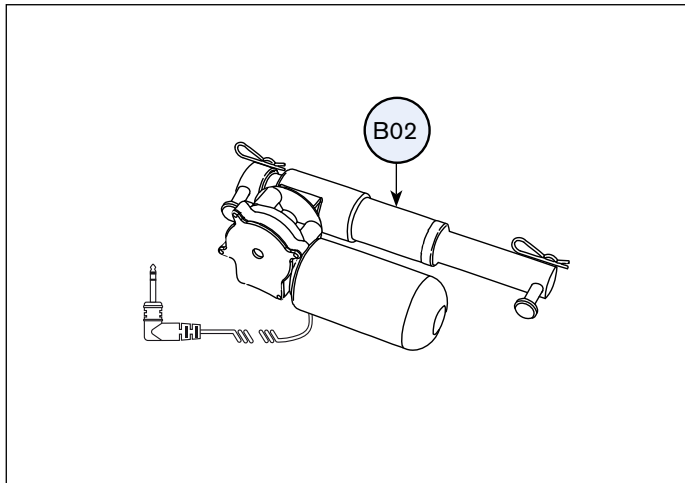
Part list - Electronics

A Elektronik för upp & ner Electronics for up & down



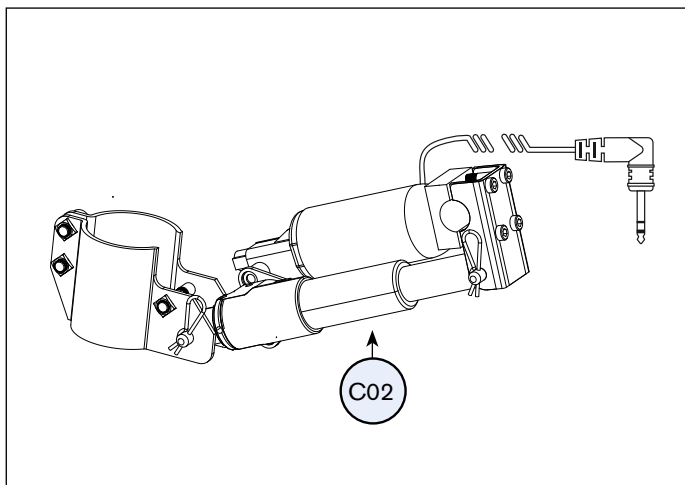
Pos	Art.nr	Benämning
Pos	Art.no	Name
A01	804490	Handkontroll 4 funktion 24V 1G <i>Hand control 4-function 24V 1G</i>
A02	804550	Laddkontakt med kabel med fäste f under sits 24V 1G <i>Charging adapter w. cable for mounting under seat 24V 1G</i>
A03	804572	Elsystem 24V 1G <i>Electric system 24V 1G</i>
A04	804491	Ellyftomat 20 cm 24V 1G <i>Electric height adjustment 20 cm 24V 1G</i>
	804493	Ellyftomat 28 cm 24V 1G <i>Electric height adjustment 28 cm 24V 1G</i>

B01 Elektronik för sitsvinkling Electronics for seat angle adjustment



B01	1	804500	Eldonssats sitstilt 15/8 24V 1G <i>Electric kit for seat angle 15/8 24V 1G</i>
	2	804636	Eldonssats sitstilt 15/15 24V 1G <i>Electric kit for seat angle 15/15 24V 1G</i>
B02	1	804635	Eldon sitstilt 15/8 24V 1G <i>Actuator for seat angle 15/8 24V 1G</i>
	2	804501	Eldon sitstilt 15/15 24V 1G <i>Actuator for seat angle 15/15 24V 1G</i>

C01 Elektronik för broms Electronics for brake

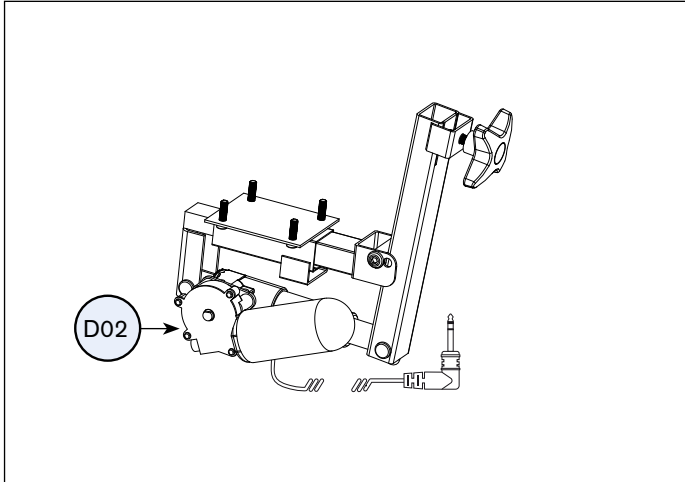


C01		804498	Eldonssats broms 24V 1G <i>Electric kit for brake 24V 1G</i>
C02		804502	Eldon broms 24V 1G <i>Actuator for electric brake 24V 1G</i>

Stycklista - Elektronik Handkontroll m. sladd forts.

Part list - Electronics

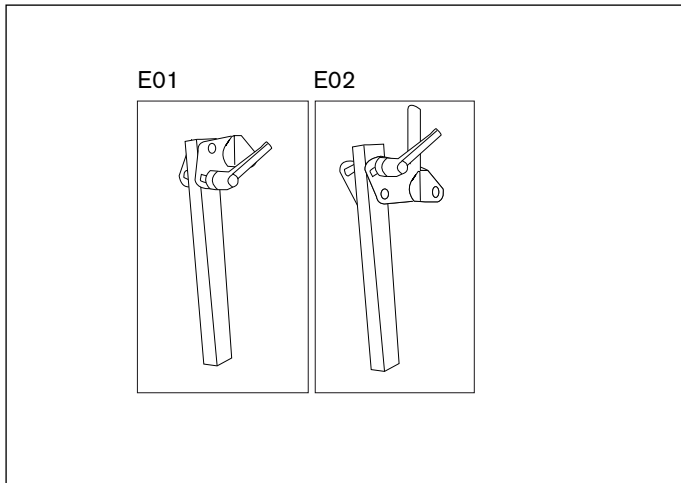
D01 Elektronik för ryggvinkling
Electronics for backrest angle



Pos	Art.nr	Benämning
Pos	Art.no	Name

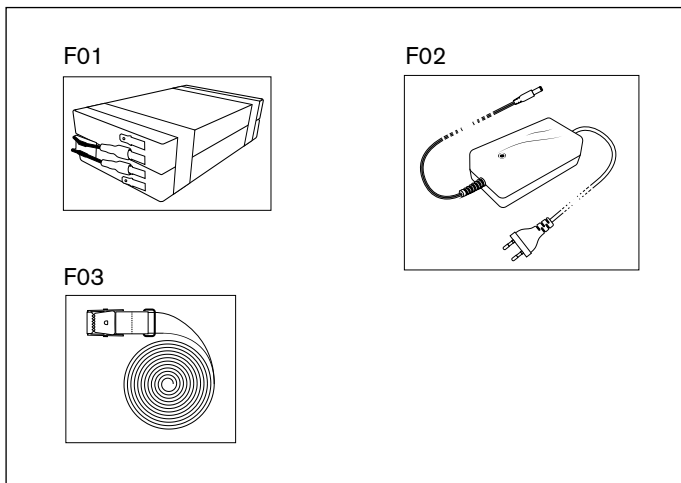
D01	804499	Eldonssats ryggvinkling 24V 1G Electric kit for backrest angle 24V 1G
D02	804488	Eldon ryggvinkling 24V 1G Actuator for backrest angle 24V 1G

E Ryggstolpe för Elrygg
Back pole for electric backrest



E01	801265	Ryggstolpe Standard. ErgoMedic Låg rygg Back pole Std Cla/ ErgoMedic Low back
E02	800841	Ryggstolpe Standard ErgoMedic Hög rygg Back pole Standard ErgoMedic High back

F Batteri och laddare
Battery and charger

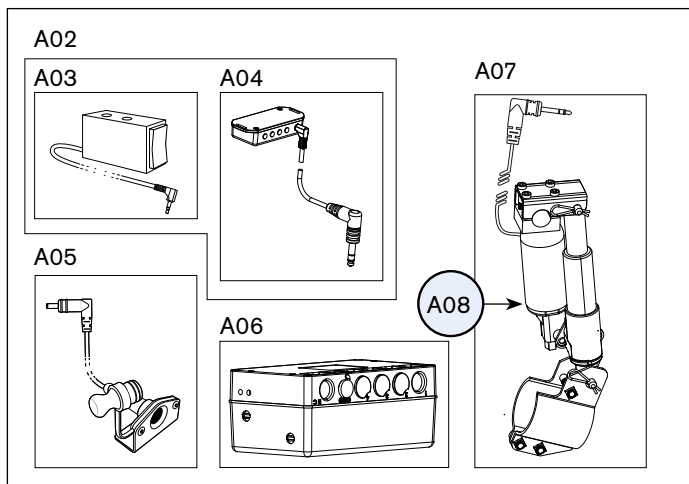


F01	804496	Batteripack 24V 1G 2Ah Battery pack 24V 1G 2Ah
F02	804428	Batteriladdare 24V 1G för arbetsstolar Battery charger 24V 1G for working chairs
	804823	Nättaggregat f urkoppling av batteri 24V 1G Power supply for battery disconnection 24V 1G
F03	804551	Fästband Batteri L850mm B 18mm Svart f Elstol Cord for battery L 850 mm W 18 mm Black

Stycklista - Elektronik Elbroms för manuell stol

Part list - Electronics Electric Brake for manual chair

A01 Elektronik för broms
Electronics for brake



Pos Art.nr Benämning
Pos Art.no Name

Pos	Art.nr	Benämning
Pos	Art.no	Name
A01	1 804627	Elbromskit kpl f manuell stol m manöverbox med tunga 24V 1G <i>Electric Brake Kit for manual chair w. remote w. ext. button 24V 1G</i>
	2 804548	Elbromskit kpl f manuell stol m manöverbox utan tunga 24V 1G <i>Electric Brake Kit for manual chair w. remote w/o ext. button 24V 1G</i>
A02	804552	Kontaktbox 4 funkt för manbox samt Manbox f upp/ner 24V 1G <i>Switchbox 4-function for remote + remote for up/down 24V 1G</i>
A03	1 804617	Manbox f upp/ner med tunga kpl med kablage 24V 1G <i>Remote for up/down w. ext. button cpl.with cabling 24V 1G</i>
	2 804487	Manbox f upp/ner utan tunga kpl med kablage 24V 1G <i>Remote for up/down w/o ext. button cpl.with cabling 24V 1G</i>
A04	804489	Kontaktbox 4 funkt för manbox 24V 1G <i>Switchbox 4-function for remote 24V 1G</i>
A05	804550	Laddkontakt med kabel med fäste f under sits 24V 1G <i>Charging adapter w. cable for mounting under seat 24V 1G</i>
A06	804572	Elsystem styrlåda 24V 1G <i>Electric system 24V 1G</i>
A07	804498	Eldonssats broms 24V 1G <i>Electric kit for brake 24V 1G</i>
A08	804502	Eldon broms 24V 1G <i>Actuator for electric brake 24V 1G</i>



MERCADO SVERIGE

Mercado Medic AB
Tryffelslingan 14
181 57 Lidingö

Telefon & Fax
Tel 08 555 143 00
Fax 08 555 143 99

Email & Internet
Email info@mercado.se
Internet www.mercado.se



MERCADO NETHERLANDS

Mercado Medic Nederland BV
Nobelweg 22
3899 BN Zeewolde

Phone & Fax
Tel +31 (0) 36 521 99 95
Fax +31 (0) 36 521 99 90

Email & Internet
Email info@mercado-medic.nl
Internet www.mercado-medic.nl



MERCADO UK

Mercado Medic UK Ltd
PO Box 4818
Warwick, CV34 9GB

Phone & Fax
Ph +44-(0)844 561 6874
Fax +44-(0)844 561 6875

Email & Internet
Email info@mercado-medic.co.uk
Internet www.mercado-medic.co.uk



MERCADO NORGE

Sunrise Medical AS
Delitoppen 3
1540 Vestby

Telefon & Telefaks
Telefon: +(47) 66 96 38 00
Telefaks: +(47) 66 96 38 80

Epost & internett
Epost: post@sunrisemedical.no
Internett: www.sunrisemedical.no