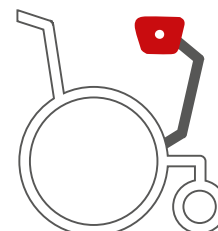




# Wheelchair Mounts

Independent communication for each stage of the day – this is our mission. Mounting AAC devices the right way is crucial to respond to customers needs. Rehadapt offers out-of-the-box and yet flexible solutions for most wheelchairs.



# Wheelchair mounts

## Mounting systems

There are many types of wheelchairs, some with significant differences between them. Regardless of the wheelchair, we will mount your communication device, switch or control so that it is secured and perfectly positioned for the beneficiary to use! Our system is easy to use and quick to adjust, even without tools. Learn more about our different mounting systems "Monty 3D", "Hybrid 3D", "Light 3D" and their bundles.

## Frame clamps

We offer a huge range of base clamps to secure our mounts to any manual or powered wheelchair. So you have the ability to clamp onto any frame, armrest, footrest, or underneath the seat.

**Readapt wheelchair mounts are compliant with the requirements for Medical Devices** and must have consistency and be labelled with a Unique Device Identifier (UDI). To achieve this without compromising the needed flexibility to meet individual client demands, we separated wheelchair mount bundles from frame clamps. Please do not forget to order your frame clamp in addition to the wheelchair mount.

More about frame clamps  
in our component section



## Bundles

For the sake of standardization as a Medical Device and simplification, some bundles include more parts than actually needed - a choice of tubes of varying length and both lever and bolt variations. Similarly, when delivering "QuickShift" levers for toolless operation, we also deliver the corresponding Allen screws - in case setups need to be secured. The additional tubes and parts provide more flexibility when assembling the mount.



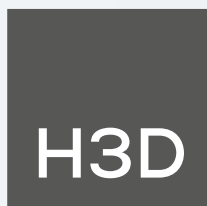
for devices up to

**3 / 6 kg\***  
**6 / 13 lbs\***

\*with M3D Plus

### Monty 3D

Outstanding mechanical properties  
for most wheelchair solutions.



for devices up to

**1,8 kg**  
**4 lbs**

### Hybrid 3D

Economically combining L3D-lightweight  
and the M3D-sturdiness.

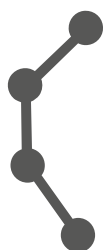


for devices up to

**1,2 kg**  
**2,6 lbs**

### Light 3D

Lean and sleek design while still providing  
the core values of Rehadapt.



#### STANDARD

Three-tube solutions for  
most common situations.



#### "PLUS"

Longer arm with double tube  
option for more load capacity,  
more stability and more  
flexibility.



#### "TT"

Minimized two-tube  
setup for children's  
and sports chairs.



#### CURVED

Extra offset to position  
the device at a distance.

# Wheelchair mounts



## STANDARD

Our standard wheelchair mounts are composed of three aluminum alloy tubes. They provide you with multiple options so that you can find one that fits your needs, AAC device and your wheelchair.

**M3D**

Monty 3D (M3D) wheelchair standard mounts include a Universal Device Socket (UDS), 3D adjustable joints three tubes with lengths of 200 mm (8"), 500 mm (20") and 400 mm (16"). Maximum load capacity of 3 kg (6.6 lbs).



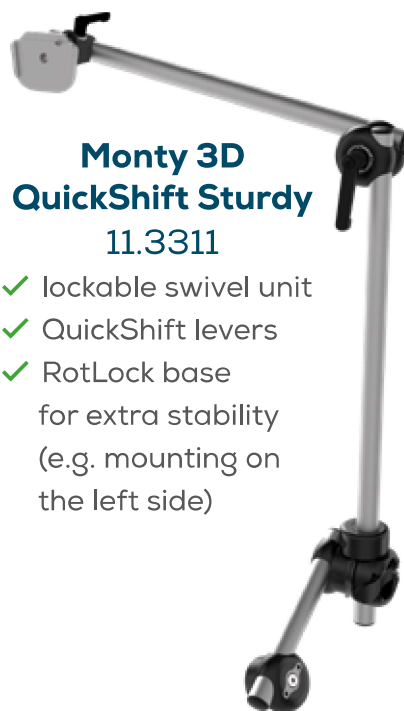
**Monty 3D**  
11.3100

- ✓ simple swivel unit



**Monty 3D QuickShift**  
11.3211

- ✓ lockable swivel unit
- ✓ QuickShift levers



**Monty 3D QuickShift Sturdy**  
11.3311

- ✓ lockable swivel unit
- ✓ QuickShift levers
- ✓ RotLock base for extra stability (e.g. mounting on the left side)

## Accessories



**Slip-out safeguards and restraining caps**  
**M3D:** 01.5500  
**L3D16:** 01.5994  
**L3D10:** 01.5993

Prevent tubes to unintentionally slide through the joints.



**Set of cable clips**  
**M3D:** 11.0122  
**L3D:** 14.0116  
Keep cables organized along tubes with 5 clips.



**Set of universal cable sleeves**  
Can be wrapped around tubes with diameters of 10, 16 or 22 mm.

# H3D

Hybrid 3D (H3D) wheelchair standard mounts include a Swivel unit, Quick-Shift joints and a Universal Device Socket (UDS) or a Spigot Link System (SLS) connection. Max. load capacity: 1.8 kg (4.0 lbs).

## Short range

Short variants with tube length of  
300 mm (12")  
400 mm (16")  
300 mm (12")

## Hybrid 3D Short

<b>UDS</b>	13.3211
<b>SLS</b>	13.3215

## Hybrid 3D Short Sturdy

✓ RotLock base for extra stability (e.g. mounting on the left side)

<b>UDS</b>	13.3311
<b>SLS</b>	13.3315



## Long range

Long variants with tube lengths of  
500 mm (20")  
400 mm (16")  
400 mm (16")

## Hybrid 3D Long

<b>UDS</b>	13.4211
<b>SLS</b>	13.4215

## Hybrid 3D Long Sturdy

✓ RotLock base for extra stability (e.g. mounting on the left side)

<b>UDS</b>	13.4311
<b>SLS</b>	13.4315

# L3D

Light 3D (L3D) three-tube wheelchair standard mounts include a Universal Device Socket (UDS), a swivel unit and QuickShift joints. Max. load capacity: 1.2 kg (2.6 lbs).

## Light 3D QuickShift UDS

14.3211

- ✓ UDS connection
- ✓ tube lengths:  
250 mm (10")  
400 mm (16")  
300 mm (12")

## Light 3D QuickShift SLS

14.3215

- ✓ SLS connection
- ✓ tube lengths:  
250 mm (10")  
350 mm (14")  
250 mm (10")



# Wheelchair mounts



## "PLUS"

Our "Plus" mounts with longer tubes for precise positioning. The mounts are available in two versions for AAC devices with up to 6 kg (13.2 lbs). With RotLock base for extra stability even when mounted on the left side.



## M3D

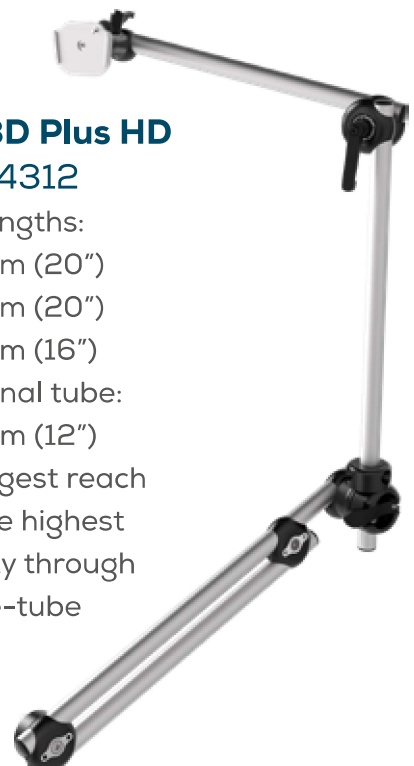
Monty 3D (M3D) wheelchair "Plus" mounts are ideal for eye-tracking devices. Universal Device Socket with double clamp (UDS DC), With RotLock base for extra stability and additional tube included. Max. load capacity: 6.0 kg (13.2 lbs).

### Monty 3D Plus 11.3312

- ✓ tube lengths:
  - 300 mm (12")
  - 500 mm (20")
  - 400 mm (16")
- ✓ additional tube:
  - 500 mm (20")

### Monty 3D Plus HD 11.4312

- ✓ tube lengths:
  - 500 mm (20")
  - 500 mm (20")
  - 400 mm (16")
- ✓ additional tube:
  - 300 mm (12")
- ✓ the longest reach and the highest stability through double-tube





## "TT"

The short wheelchair two-tube mounts are smaller in size and very sturdy. They are suitable for chairs with mounting positions directly at the front side, such as some kids' or activity chairs. The short mounts are also ideal if you need a practical transport solution.

### M3D

Base with swivel function, QuickShift levers, UDS with double clamp. Max. load capacity: 3.0 kg (6.6 lbs).

### H3D

Base coupler, telescopic tube, tube lengths of 400-650 x 400 mm (16-26 x 16") Max. load capacity: 1.8 kg (4 lbs).

#### Monty 3D TT Plus

11.2312

- ✓ tube lengths: 500 mm (20")  
500 mm (20")
- ✓ additional tube: 300 mm (12")
- ✓ RotLock base for extra stability (e.g. mounting on the left side)
- ✓ UDS DC



#### Monty 3D TT

11.2211

- ✓ tube lengths: 400 mm (16")  
300 mm (12")

#### Hybrid 3D Universal UDS

13.2011

- ✓ UDS connection
- ✓ tube lengths: 400-650 mm (16-26")  
400 mm (16")
- ✓ Base coupler



#### Hybrid 3D Universal SLS

13.2015

- ✓ SLS connection
- ✓ tube lengths: 400-650 mm (16-26")  
400 mm (16")
- ✓ Base coupler

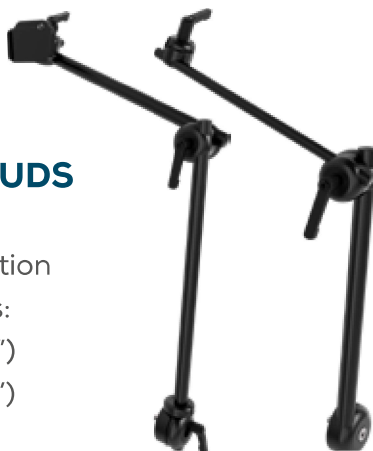
### L3D

With UDS or SLS, a base with swivel function, QuickShift levers. Max. load capacity: 1.2 kg (2.6 lbs).

#### Light 3D TT UDS

14.2211

- ✓ UDS connection
- ✓ tube lengths: 400 mm (16")  
300 mm (12")



#### Light 3D TT SLS

14.2015

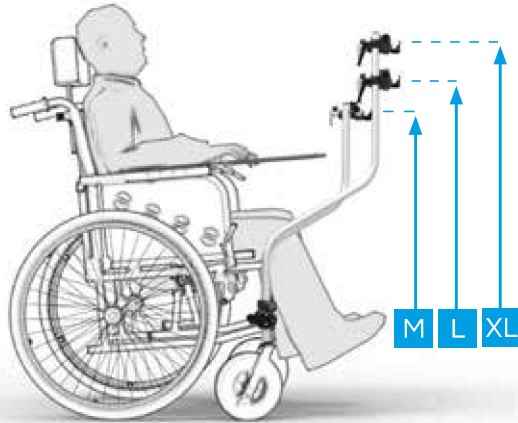
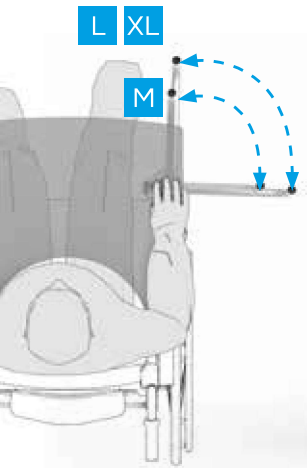
- ✓ SLS connection
- ✓ tube lengths: 250 mm (10")  
300 mm (12")

# Wheelchair mounts



## CURVED

Curved tubes in three sizes for extra offset from the mount attachment point without additional joints. Recommended when the need for an offset is rigidly defined (e.g. when using a lap tray or with some eyetrackers).



Our curved wheelchair mounts are available in three different sizes, giving you the offset that suits you the best, without any additional joints. Quick-Shift joints and RotLock base with swivel function are included. Max. load capacity: 3.0 kg (6.6 lbs).

### Monty 3D Curved M 11.5311

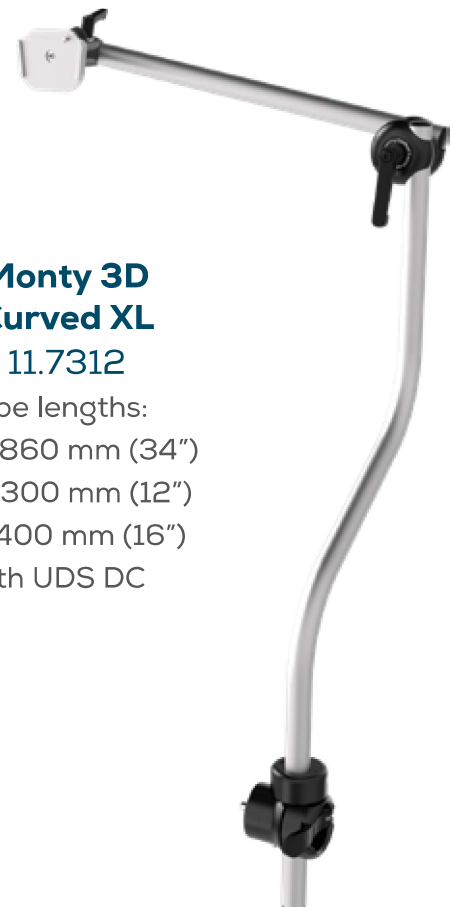
- ✓ tube lengths:  
H 660 mm (26")  
O 230 mm (9")  
T 400 mm (16")
- ✓ with UDS QS

### Monty 3D Curved L 11.6312

- ✓ tube lengths:  
H 760 mm (30")  
O 300 mm (12")  
T 400 mm (16")
- ✓ with UDS DC

### Monty 3D Curved XL 11.7312

- ✓ tube lengths:  
H 860 mm (34")  
O 300 mm (12")  
T 400 mm (16")
- ✓ with UDS DC



H: height of the curved tube, O: offset,  
T: length of the second tube