

# Code 862

## Model 1.610 / 1.611

**Note:**

The following assembly should be carried out by a specialist workshop.

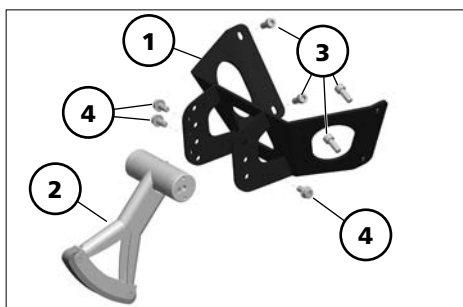
### Application

The curb climbing aid serves to overcome obstacles more easily [A].



### Scope of delivery

- (-) 1x Assembly instructions
- (1) 1x Fixing device
- (2) 1x Swivelling arm
- (3) 4x Cylinder screw M8x20
- (4) 3x Cylinder screw M8x16

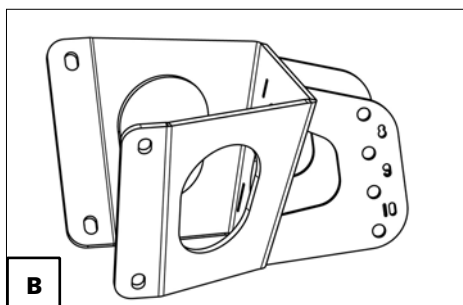


### Safety information

- ⚠ Watch for jamming areas during the complete assembly.  
– Danger of crushing!
- ⚠ Keep the working area clean while refitting!

### Assembly

Mount the bracket (1) with the screws (3) into the frame of the vehicle.  
Mount the swivelling arm, according to the steering wheel size (view table) with the screws (4) into the bracket.  
Afterwards conduct a function test of the curb climbing aid.



Steering wheel size	Assembly position [B]
8"	8
9"	9
10"	10

**MEYRA®**  
**ORTOPEDIA**

**We move people.**

MEYRA-ORTOPEDIA  
Vertriebsgesellschaft mbH  
Meyra-Ring 2 · D-32689 Kalletal-Kalldorf  
P.O. Box 1 703 · D-32591 Vlotho  
Fon +49 (0)5733 922-366  
Fax +49 (0)5733 922-9366  
info@meyra-ortopedia.de  
www.meyra-ortopedia.de

205 341 601 • (Status: 2011-05) All technical modifications reserved!