

# swan

## Exploded views / Part lists

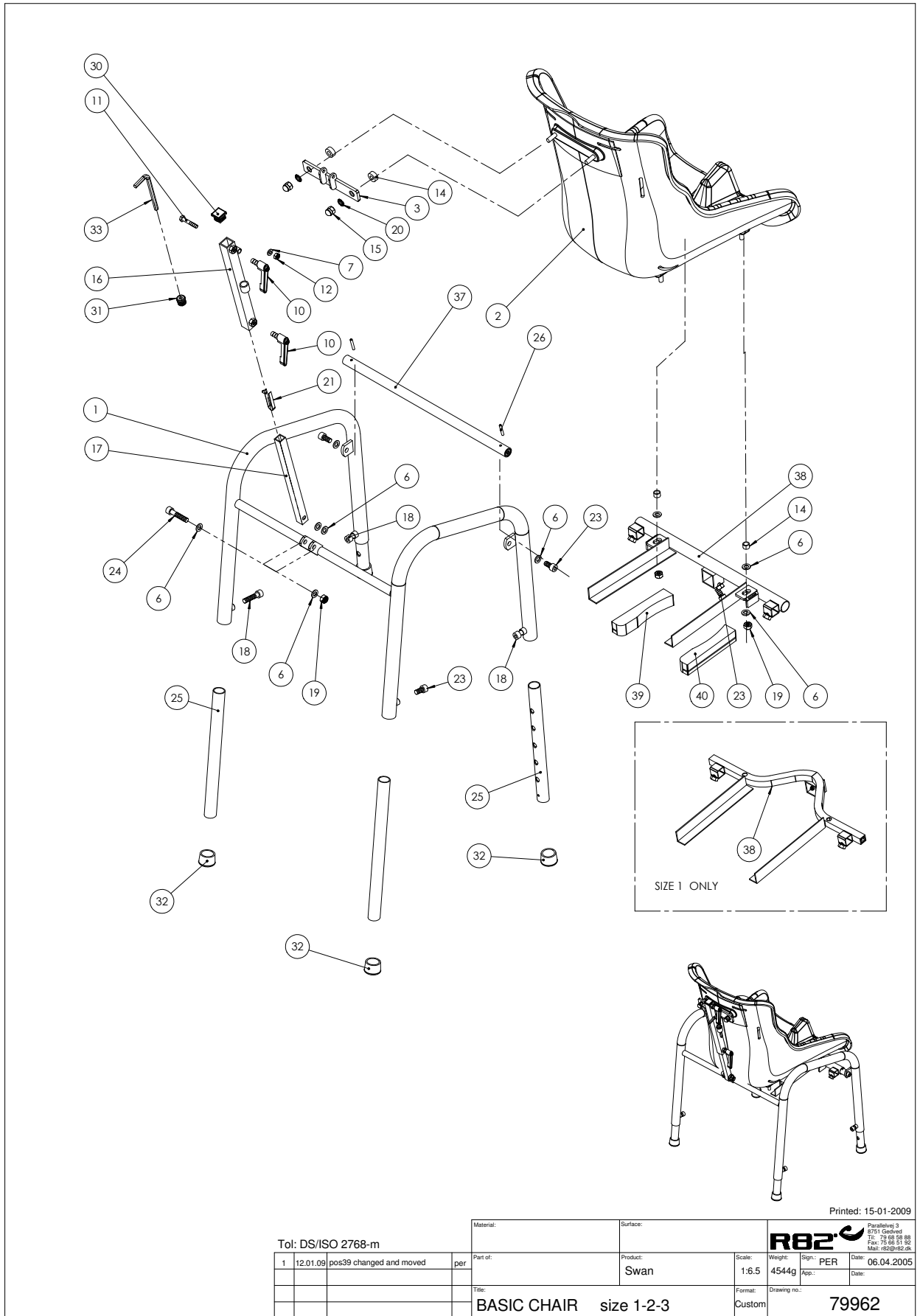
Rev. date (April 2007)

*On the following pages you will find the parts used to assemble this product. Please note that some spare parts cannot be purchased individually but are part of a complete kit. Please also note that for some spare parts extra delivery time may occur.*



## Contents

Swan size 1+2+3 .....	3
Accessories size 1+2+3 .....	5
Swan size 4+5+6+7.....	8
Accessories size 4+5+6+7 .....	10



Printed: 15-01-2009

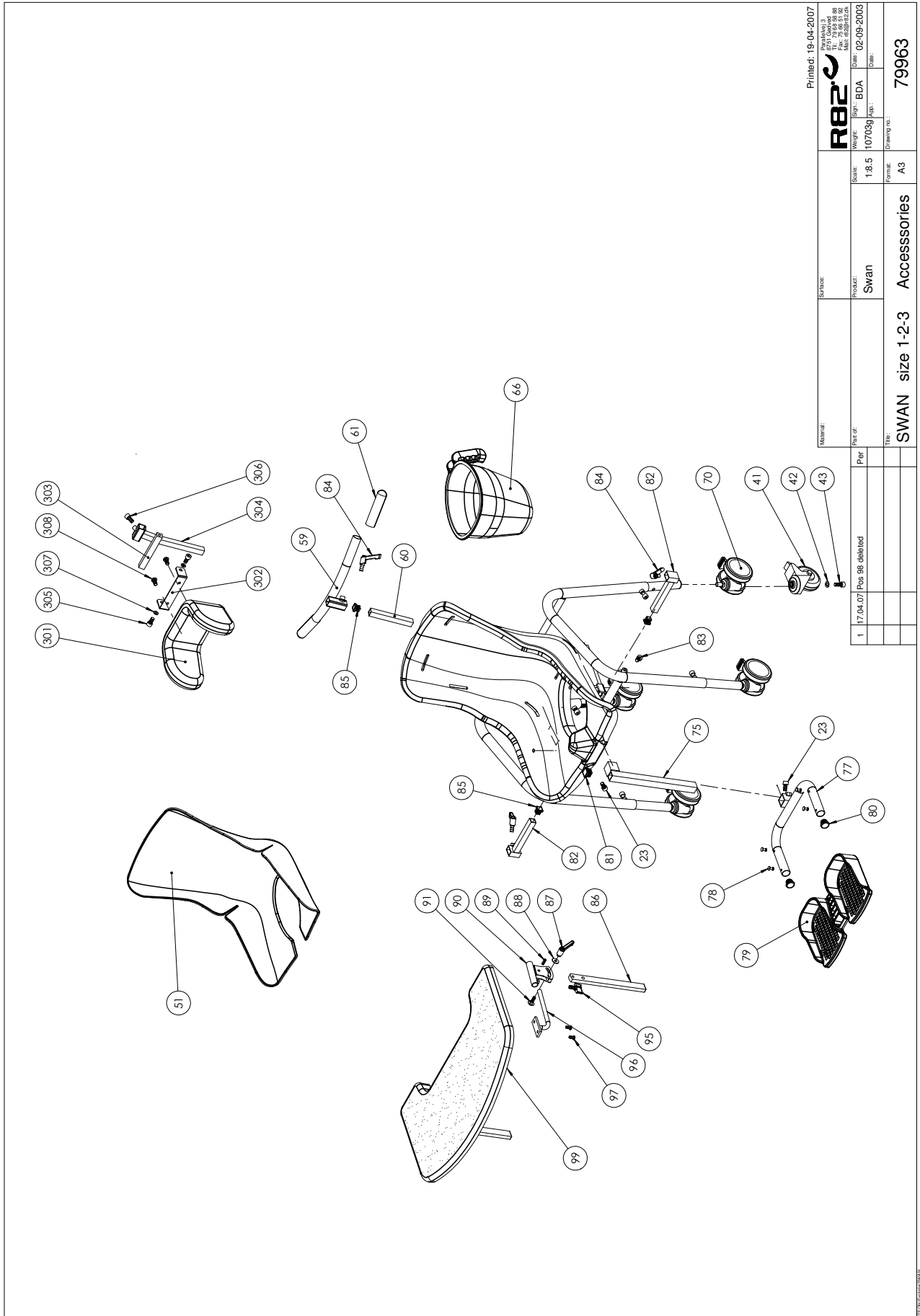
Tol: DS/ISO 2768-m

1	12.01.09	pos39 changed and moved	per

Material:	Surface:	Parallevej 3 8751 Gedved Tlf: 75 66 58 88 Fax: 75 66 51 92 Mail: r82@r82.dk	
Part of:	Product:	Scale:	Weight:
	Swan	1:6.5	4544g
Title:		Format:	Drawing no.:
BASIC CHAIR size 1-2-3		Custom	79962
		Sign.: PER	Date: 06.04.2005
		App.:	Date:

Position	No.	Description	Quantity	Unit of Measure	Ean code
1*	81602	MICRO FRAME, SWAN	1	PCS	5707292116932
	81601	SMALL FRAME MINI, SWAN	1	PCS	5707292116925
	81600	SWAN MINIDI/MIDI	1	PCS	5707292116918
2*	6126000	TOILETCHAIR, MICRO	1	PCS	5707292187123
	6126500	TOILETCHAIR, MINI	1	PCS	5707292187154
	6127000	TOILETCHAIR, MINIDI	1	PCS	5707292187161
3	81611	BACKMOUNTING, SWAN	1	PCS	5707292117021
6	1105080	STAINLESS WASHER 8MM	12	PCS	5707292140364
7	1105060	STAINLESS WASHER 6MM	1	PCS	5707292140357
10	3502700	TIGHTENING HANDLE 42/M8*16 WHI	2	PCS	5707292146946
11	1902450	STAINLESS SET SCREW 6*35MM	1	PCS	5707292142085
12	1631060	STAINLESS LOCK NUT 6MM	1	PCS	5707292141446
14	81610	DISTANCE BUSH	4	PCS	5707292117014
15	1781080	STAINLESS TOP NUT 8MM	2	PCS	5707292141576
16*	81612	EXT.PIPE F.BACKADJUSTMENT, L, SZ. 1+2	1	PCS	5707292117038
	81614	EXT.PIPE F. BACKADJUSTMENT, S, SZ. 3	1	PCS	5707292117052
17*	81645	INTERNAL PIPE F.BACKADJUSTMENT SZ. 1+2	1	PCS	5707292117366
	81616	INTERNAL PIPE F.BACKADJUSTMENT SZ. 3	1	PCS	5707292117076
18	0609835	STAINLESS INSEX SCREW 8*35	3	PCS	5707292138606
19	1631080	STAINLESS LOCK NUT 8MM	3	PCS	5707292141453
20	1140810	LOCK WASHER STAINLESS 8,0	2	PCS	5707292140548
21	6153500	KNOB SPRING 0,5*6,5 MM.	1	PCS	5707292188571
23	0609816	STAINLESS INSEX SCREW 8*16	4	PCS	5707292138569
24	0609840	STAINLESS INSEX SCREW 8*40	1	PCS	5707292138613
25*	81646	LEGS FOR SWAN, SZ. 1+2	3	PCS	5707292117373
	81617	LEGS FOR SWAN, SZ. 3-7	3	PCS	5707292117083
26	0589000	STAINL. TIGHTENING SPRING 4*26	2	PCS	5707292137784
28*	81643	ADJUSTMENT LEGS, SWAN SZ. 1+2	1	PCS	5707292117342
	81618	ADJUSTMENT LEG FOR SWAN SZ 3-7	1	PCS	5707292117090
30	2500900	TUBE LEGS WHITE 20*20MM. INTER	1	PCS	5707292143877
31	2501710	FERRULE D16 M/6.2, HOLE	1	PCS	5707292143983
32	2501000	KNOBS WHITE FOR 22MM. EXTERNAL	4	PCS	5707292143884
33	0589600	INSEX SCREW KEY N6	1	PCS	5707292137876
37*	81605	CARRYING ROD, SWAN MICRO/MINI	1	PCS	5707292116963
	81606	CARRYING ROD MINIDI/MIDI/MAXI	1	PCS	5707292116970
38*	81647	HOLDER FOR COMMODE PAN, MICRO 1	1	PCS	5707292117380
	81603	HOLDER FOR COMMODE PAN, MINI 2	1	PCS	5707292116949
	81604	HOLDER FOR COMMODE PAN, 3-7	1	PCS	5707292116956
39	81628	DISTANCE PART, SWAN	2	PCS	5707292117199

*		CHOOSE SIZE
---	--	-------------



Printed: 19-04-2007

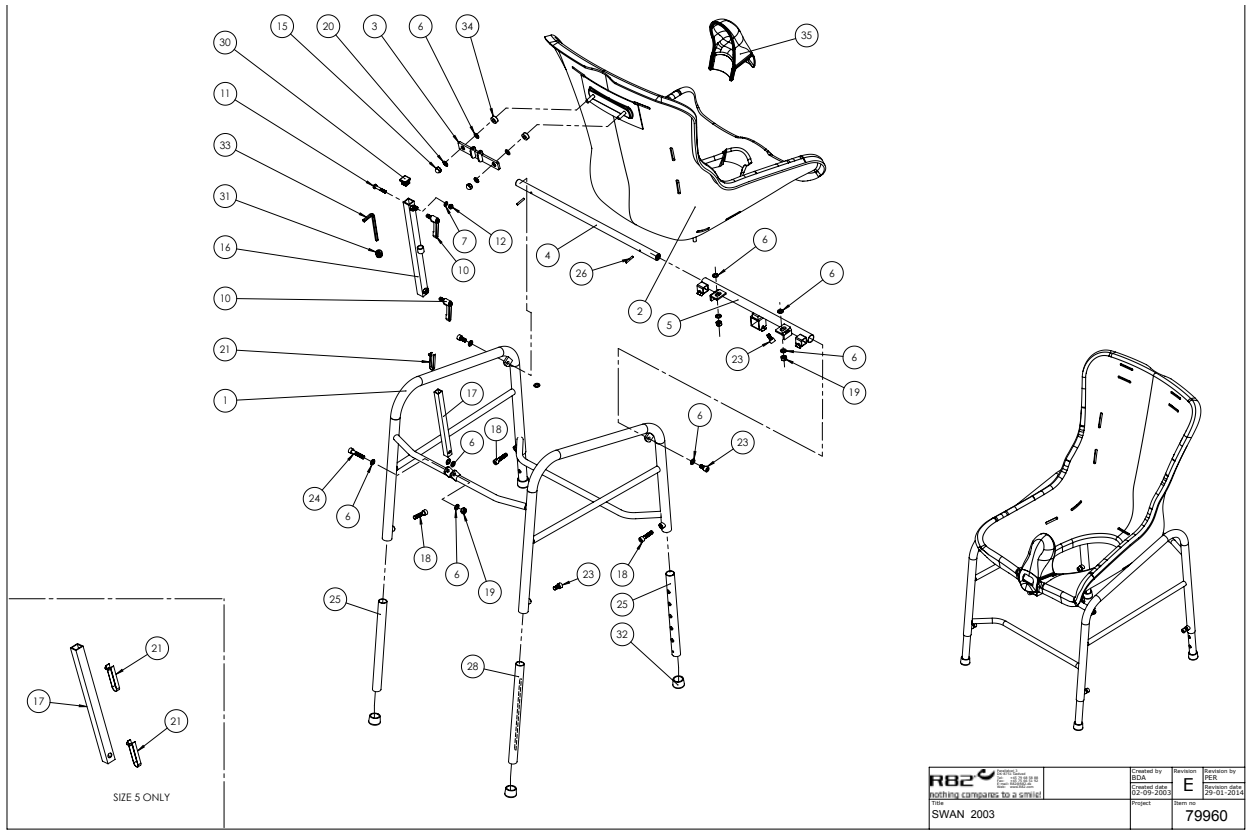
R82		R82 A/S Parallelsvej 3 8751 Gedved Denmark Tel: +45 79 68 51 92 Fax: +45 75 66 51 92 E-mail: r82@r82.dk Web: www.r82.com	
Scale:	1:8,5	Weight:	1070kg
Product:	Swan	Part no.:	BDA
Material:		App.:	02-09-2003
Part no.:		Date:	
SWAN size 1-2-3 Accessories		Formal:	A3
		Drawing no.:	79963

1	17.04.07	Plus SB deleted

Position	No.	Description	Quantity	Unit of Measure	Ean code
23	0609816	STAINLESS INSEX SCREW 8*16	1	PCS	5707292138569
41*	3036500	WHEEL WITH BRAKE 75 MM	4	PCS	5707292146250
	3038500	WHEEL WITH BRAKE 100MM	4	PCS	5707292146267
42	1100510	SPRING WASHER 10MM STAINLESS	4	PCS	5707292140159
43*	0609920	STAINLESS INSEX SCREW 10*20	4	PCS	5707292138620
43	0609925	STAINLESS INSEX SCREW 10*25	4	PCS	5707292138637
51*	87101	SWAN UPHOLSTERY SIZE 1	1	PCS	5707292130365
	87102	SWAN UPHOLSTERY SIZE 2	1	PCS	5707292130372
	87103	SWAN UPHOLSTERY SIZE 3	1	PCS	5707292130389
59	71394	PUSHHANDLE	1	PCS	5707292105608
60	71396	PIPE FOR PUSHHANDLE	1	PCS	5707292105615
61	2500617	PVC GRIPS 22*120MM	2	PCS	5707292143792
66*	87200	COMMODE PAN SIZE 1, WHITE	1	PCS	5707292130471
	87200-TR	COMMODE PAN SIZE 1, TRANSPARENT	1	PCS	5707292249906
	87201	COMMODE PAN SIZE 2, WHITE	1	PCS	5707292130488
	87201-TR	COMMODE PAN SIZE 2, TRANSPARENT	1	PCS	5707292249913
	87202	COMMODE PAN SIZE 3, WHITE	1	PCS	5707292130495
70	3006830	75MM WHITE STEINCO WHEEL	4	PCS	5707292368560
75*	81622	ADJUSTMENT ROD, SMALL, SWAN	1	PCS	5707292117137
	81621	ADJUSTMENT ROD, LARGE, SWAN	1	PCS	5707292117120
	81625	ADJUSTMENT ROD, EXTRA, SWAN	1	PCS	5707292117168
77*	81619	SMALL FOOTBRACE FIXED, SWAN	1	PCS	5707292117106
	81620	LARGE FOOTBRACE FIXED, SWAN	1	PCS	5707292117113
78	0506508	RIVET 5*14, STAINLESS	4	PCS	5707292359476
79*	6122001	FOOT PLATE, DOUBLE 1, WHITE	1	PCS	5707292186959
	6122501	FOOT PLATE, DOUBLE 2, WHITE	1	PCS	5707292186973
	6123001	FOOT PLATE, DOUBLE 3, WHITE	1	PCS	5707292186997
80	2501100	TUBE LEGS WHITE FOR 22MM.	2	PCS	5707292143891
81	2500900	TUBE LEGS WHITE 20*20MM. INTER	1	PCS	5707292143877
82	81665	HOLDER F. ARM SUPPORT, SWAN	2	PCS	5707292117564
83	0609812	STAINLESS INSEX SCREW 8*12	2	PCS	5707292138552
84	3502700	TIGHTENING HANDLE 42/M8*16 WHI	1	PCS	5707292146946
85	2504005	FERRULE E15*15*1,0-2,INT.BLACK	2	PCS	5707292144119
86	81667	ROD FOR ARMREST, SWAN	2	PCS	5707292117588
87	3502400	TIGHTENING HANDLE 42MM M6 BUSH	2	PCS	5707292146892
88	1130600	STAINLESS WASHER 6MM	2	PCS	5707292140517
89	0589300	STAINL. TEIGTENING SPRIG 6*16	2	PCS	5707292137821
90	81666	ARM REST MOUNTING, SWAN	2	PCS	5707292117571
91	1905020	BOARD BOLT 6*20MM, STAINLESS	2	PCS	5707292142245
95	3503200	WHITE FINGERSCREW M6*14 RUSTLE	2	PCS	5707292146991
96	81664	MOUNTING FOR TABLE, SWAN	2	PCS	5707292117557
97	0659200	BUTTON HEAD SCREW 6*12 STAINL.	4	PCS	5707292139436
99*	81660	TABLE PLATE SWAN 1+2	1	PCS	5707292117519
	81659	TABLE PLATE SWAN 3+4+5	1	PCS	5707292117502

301*	6171000	HEADSUPPORT SIZE 1 GREY	1	PCS	5707292188755
	6171500	HEADSUPPORT SIZE 1 WHITE	1	PCS	5707292188779
	6172000	HEADSUPPORT SIZE 2 GREY	1	PCS	5707292188793
	6172500	HEADSUPPORT SIZE 2 WHITE	1	PCS	5707292188816
	6173000	HEADSUPPORT SIZE 3 GREY	1	PCS	5707292188830
	6173500	HEADSUPPORT SIZE 3 WHITE	1	PCS	5707292188854
	6174000	HEADSUPPORT SIZE 4 GREY	1	PCS	5707292188878
	6174500	HEADSUPPORT SIZE 4 WHITE	1	PCS	5707292188892
302	81410	U-MOUNTING FOR NECK-SUPPORT	1	PCS	5707292115133
303	81411	DISTANCE-PIPE F. NECK-MOUNTING	1	PCS	5707292115140
304*	81648	ROD FOR NECK SUPPORT	1	PCS	5707292117397
	81623	ROD FOR NECK SUPPORT	1	PCS	5707292117144
305	0609816	STAINLESS INSEX SCREW 8*16	2	PCS	5707292138569
306	0609812	STAINLESS INSEX SCREW 8*12	1	PCS	5707292138552
307	1100500	SPRING WASHER 8MM, STAINLESS	2	PCS	5707292140142
308	0659500	BUTTON HEAD SCREW	2	PCS	5707292139450

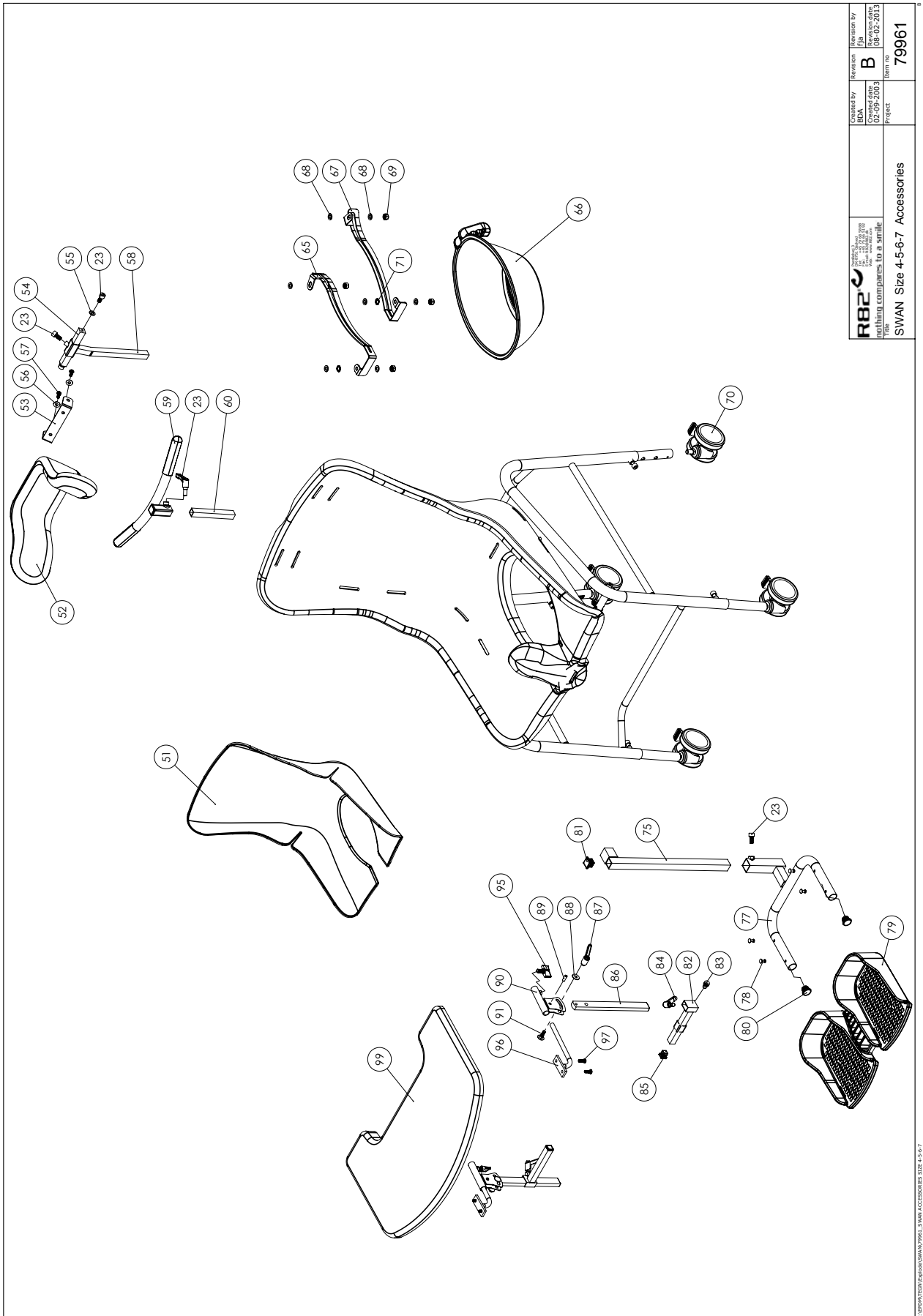
*		CHOOSE SIZE			
---	--	-------------	--	--	--






Position	No.	Description	Quantity	Unit of Measure	Ean code
1*	81600	SWAN MINIDI/MIDI	1	PCS	5707292116918
	81596	MAXI FRAME, SWAN SIZE 5	1	PCS	5707292116871
	71978	FRAME, SWAN SIZE 6	1	PCS	5707292393036
	71979	FRAME, SWAN SIZE 7	1	PCS	5707292393074
2*	6138400	TOILET CHAIR, SWAN SIZE 4	1	PCS	5707292370044
	6138500	TOILET CHAIR, SWAN SIZE 5	1	PCS	5707292370051
	6138600	TOILET CHAIR, SWAN SIZE 6	1	PCS	5707292370068
	6138700	TOILET CHAIR, SWAN SIZE 7	1	PCS	5707292370075
3	81611	BACKMOUNTING, SWAN	1	PCS	5707292117021
4*	81606	CARRYING ROD SZ. 3+4+5	1	PCS	5707292116970
	81595	CARRYING ROD F. SWAN 6	1	PCS	5707292116864
	81597	CARRYING ROD F. SIZE 7	1	PCS	5707292116888
5	71976	CARRYING PIPE	1	PCS	5707292385376
6	1105080	STAINLESS WASHER 8MM	12	PCS	5707292140364
7	1105060	STAINLESS WASHER 6MM	1	PCS	5707292140357
10	3502700	TIGHTENING HANDLE 42/M8*16 WHI	2	PCS	5707292146946
11	1902450	STAINLESS SET SCREW 6*35MM	1	PCS	5707292142085
12	1631060	STAINLESS LOCK NUT 6MM	1	PCS	5707292141446
15	1781080	STAINLESS TOP NUT 8MM	2	PCS	5707292141576
16*	81612	EXT.PIPE F.BACKADJUSTMENT, L	1	PCS	5707292117038
	71965	EXTERNAL PIPE SIZE 5	1	PCS	5707292385369
	81614	EXT.PIPE F. BACKADJUSTMENT, S, SZ. 3+6+7	1	PCS	5707292117052
17	81616	INTERNAL PIPE F.BACKADJUSTMENT	1	PCS	5707292117076
18	0609835	STAINLESS INSEX SCREW 8*35	3	PCS	5707292138606
19	1631080	STAINLESS LOCK NUT 8MM	3	PCS	5707292141453
20	1140810	LOCK WASHER STAINLESS 8,0	2	PCS	5707292140548
21	6153500	KNOB SPRING 0,5*6,5 MM.	1	PCS	5707292188571
23	0609816	STAINLESS INSEX SCREW 8*16	4	PCS	5707292138569
24	0609840	STAINLESS INSEX SCREW 8*40	1	PCS	5707292138613
25	81617	LEGS FOR SWAN SZ 3-7	3	PCS	5707292117083
26	0589000	STAINL. TIGHTENING SPRING 4*26	2	PCS	5707292137784
28	81618	ADJUSTMENT LEG FOR SWAN SZ 3-7	1	PCS	5707292117090
30	2500900	TUBE LEGS WHITE 20*20MM. INTER	1	PCS	5707292143877
31	2501710	FERRULE D16 M/6.2, HOLE	1	PCS	5707292143983
32	2501000	KNOBS WHITE FOR 22MM. EXTERNAL	4	PCS	5707292143884
33	0589600	INSEX SCREW KEY N6	1	PCS	5707292137876
34	81610	DISTANCE BUSH	2	PCS	5707292117014
35	71950	SPLASHGUARD	1	PCS	5707292369994

*		CHOOSE SIZE			
---	--	-------------	--	--	--



 R82	Created by JBA 02-09-2003	Revision B	Revision by JBA 08-02-2015
	Project SWAN Size 4-5-6-7 Accessories	Item no 79961	

© EPOWTECH/EPSON/SWAN/79961 WWW.ACCESSORIES.SIZE.4-5-6-7

Position	No.	Description	Quantity	Unit of Measure	Ean code
23	0609816	STAINLESS INSEX SCREW 8*16	1	PCS	5707292138569
51*	87114	SWAN UPHOLSTERY SIZE 4 GREY	1	PCS	5707292386571
	87115	SWAN UPHOLSTERY SIZE 5 GREY	1	PCS	5707292386588
	87116	SWAN UPHOLSTERY SIZE 6 GREY	1	PCS	5707292386595
	87117	SWAN UPHOLSTERY SIZE 7 GREY	1	PCS	5707292386601
59	71394	PUSHHANDLE, FLAMINGO	1	PCS	5707292105608
60	71396	PIPE FOR PUSHHANDLE	1	PCS	5707292105615
65*	71952	PAN HOLDER SIZE 4, RIGHT	1	PCS	5707292392794
	71956	PAN HOLDER SIZE 5, RIGHT	1	PCS	5707292390608
	71958	PAN HOLDER SIZE 6+7, RIGHT	1	PCS	5707292392763
66*	880128	COMODE PAN, SWAN 4	1	PCS	5707292134301
	880129	COMODE PAN, SWAN 5	1	PCS	5707292134318
	880130	COMODE PAN, SWAN 6+7	1	PCS	5707292396372
67*	71953	PAN HOLDER SIZE 4, LEFT	1	PCS	5707292392800
	71955	PAN HOLDER SIZE 5, LEFT	1	PCS	5707292390592
	71957	PAN HOLDER SIZE 6+7, LEFT	1	PCS	5707292392756
68	1105080	STAINLESS WASHER 8MM	4	PCS	5707292140364
69	1631080	STAINLESS LOCK NUT 8MM	4	PCS	5707292141453
70	3006830	75MM WHITE STEINCO WHEEL	4	PCS	5707292368560
75*	81622	ADJUSTMENT ROD, SMALL, SWAN	1	PCS	5707292117137
	81621	ADJUSTMENT ROD,LARGE, SWAN	1	PCS	5707292117120
	81625	ADJUSTMENT ROD, EXTRA, SWAN	1	PCS	5707292117168
77*	81619	SMALL FOOTBRACE FIXED, SWAN	1	PCS	5707292117106
	81620	LARGE FOOTBRACE FIXED, SWAN	1	PCS	5707292117113
78	0506508	RIVET 5*14, STAINLESS	4	PCS	5707292359476
79*	6122001	FOOT PLATE, DOUBLE 1, WHITE	1	PCS	5707292186959
	6122501	FOOTPLATE DOUBLE 2, WHITE	1	PCS	5707292186973
	6123001	FOOTPLATE DOUBLE 3, WHITE	1	PCS	5707292186997
80	2501100	TUBE LEGS WHITE FOR 22MM.	2	PCS	5707292143891
81	2500900	TUBE LEGS WHITE 20*20MM. INTER	1	PCS	5707292143877
82*	81665	HOLDER F. ARM SUPPORT, SWAN	2	PCS	5707292117564
	81663	HOLDER F.ARMST.TOILET STR. 7	2	PCS	5707292117540
83	0609812	STAINLESS INSEX SCREW 8*12	2	PCS	5707292138552
84	3502700	TIGHTENING HANDLE 42/M8*16 WHI	1	PCS	5707292146946
85	2504005	FERRULE E15*15*1,0-2,INT.BLACK	2	PCS	5707292144119
86	81667	Rod for armrest, Swan	2	PCS	5707292117588
87	3502400	TIGHTENING HANDLE 42MM M6 BUSH	2	PCS	5707292146892
88	1130600	STAINLESS WASHER 6MM	2	PCS	5707292140517
89	0589300	STAINL. TEIGTENING SPRIG 6*16	2	PCS	5707292137821
90	81666	ARM REST MOUNTING, SWAN	2	PCS	5707292117571
91	1905020	BOARD BOLT 6*20MM, STAINLESS	2	PCS	5707292142245
95	3503200	WHITE FINGERSCREW M6*14 RUSTLE	2	PCS	5707292146991
96	81664	MOUNTING FOR TABLE, SWAN	2	PCS	5707292117557
97*	0659200	BUTTON HEAD SCREW 6*12 STAINL.	4	PCS	5707292139436
	1821700	CUTTING SCREW 5*16MM X-SLOT	4	PCS	5707292141835
99*	81659	TABLE PLATE, SWAN 3+4+5	1	PCS	5707292117502
	81658	TABLE PLATE SWAN 6	1	PCS	5707292117496
	81390	TABLE PLATE SWAN 7	1	PCS	5707292114938

*		CHOOSE SIZE
---	--	-------------