



0 - 30°














<70 kg (154.3 lb)



Rabbit User Guide

EN 12182

2018-03-rev.7

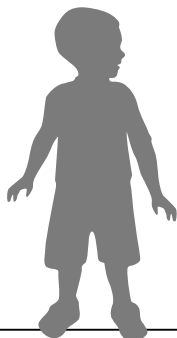
	3	ENGLISH DEUTSCH	17 - 19 20 - 22
	4	NEDERLANDS DANSK	23 - 25 26 - 28
	5	NORSK SVENSKA	29 - 31 32 - 34
	6	SUOMI ESPAÑOL	35 - 37 38 - 40
	7 - 8	FRANÇAIS ITALIANO	41 - 43 44 - 46
	9	PORTUGUÊS PORTUGUÊS DO BRASIL	47 - 49 50 - 52
	10	РОССИЯ POLSKI	53 - 55 56 - 58
	11	ČESKY 中國	59 - 61 62 - 64
	11	日本 ΕΛΛΗΝΙΚΗ	65 - 67 68 - 70
	12 - 14		
mm (inch)	15		
	16		



1.

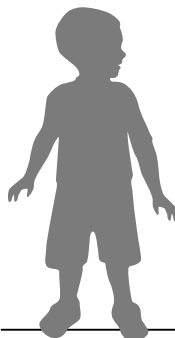


RABBIT 1



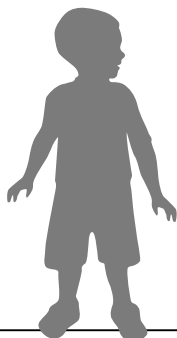
<40 kg
<88.1 lb

RABBIT 2



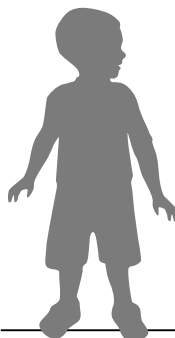
<50 kg
<110.2 lb

RABBIT 3

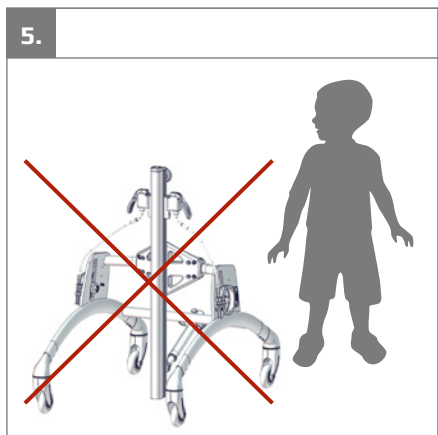
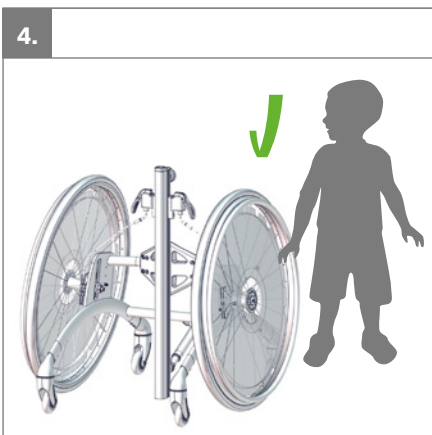
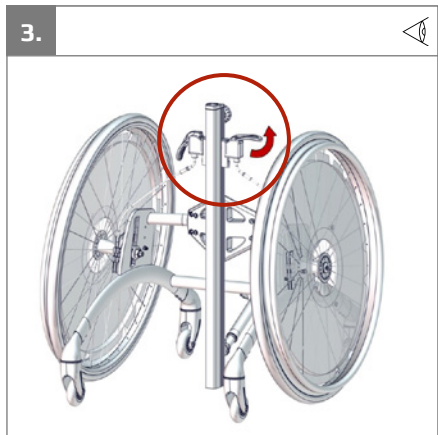
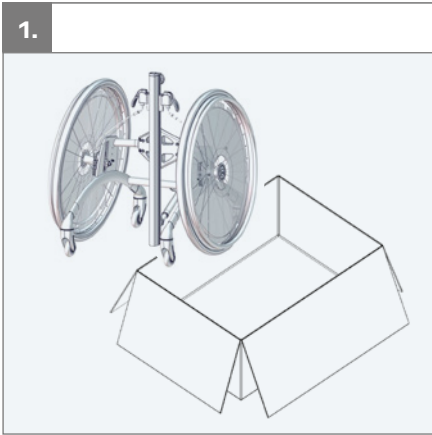


<60 kg
<132.2 lb

RABBIT 4

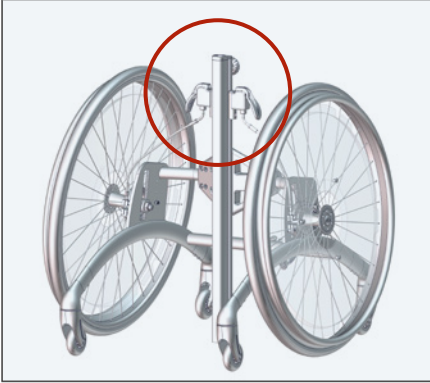


<70 kg
<154.3 lb

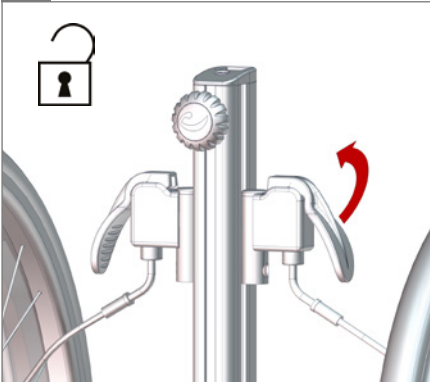




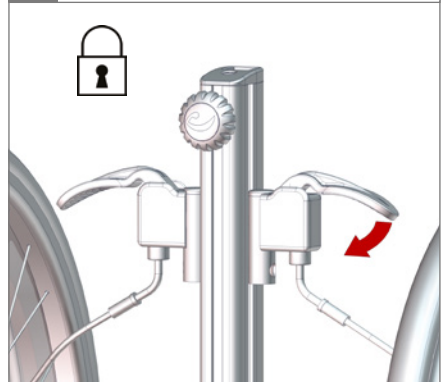
1.



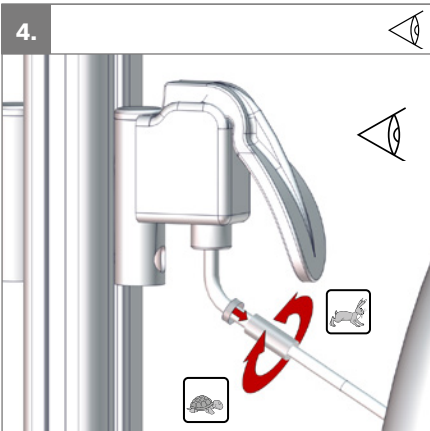
2.



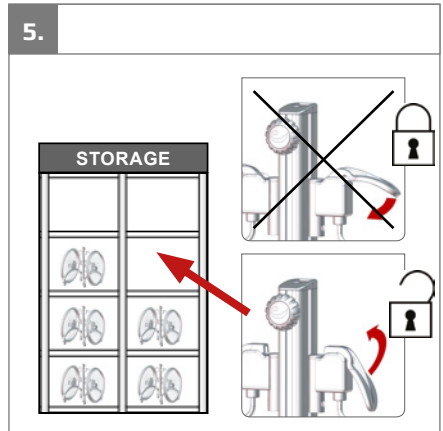
3.

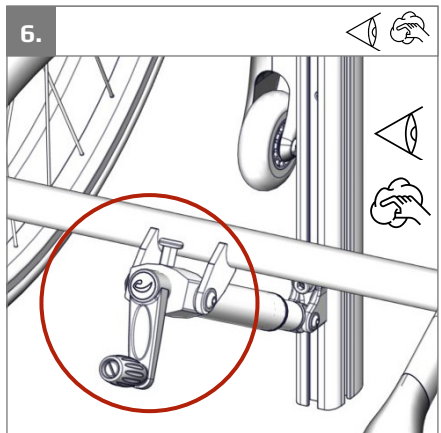
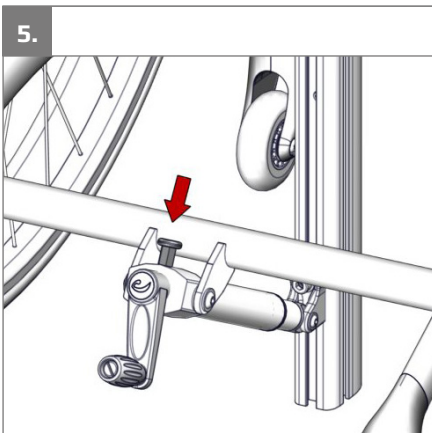
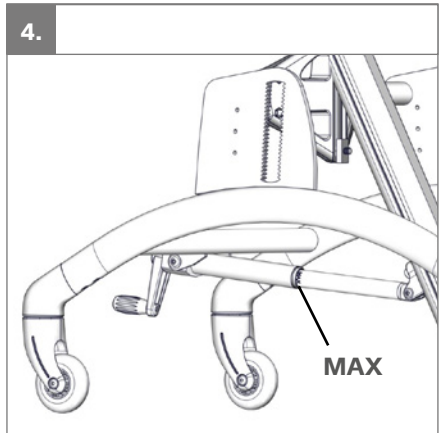
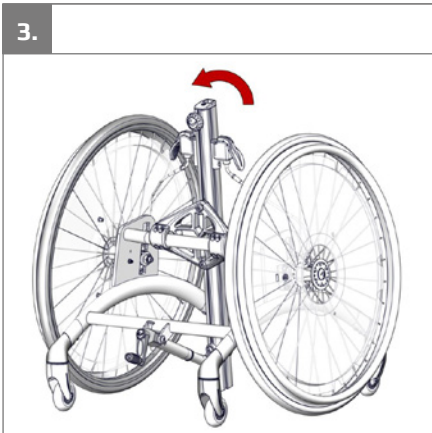
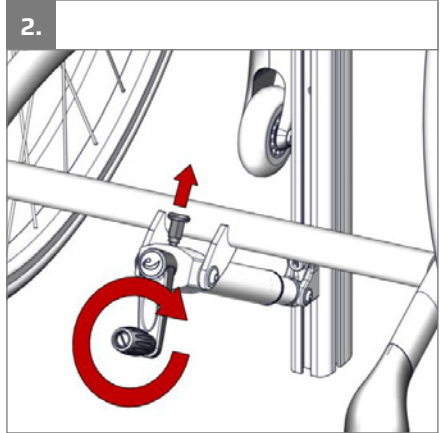
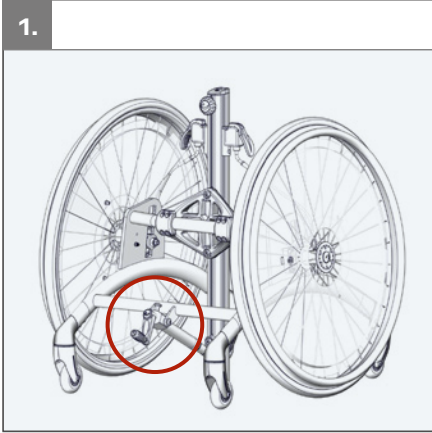


4.



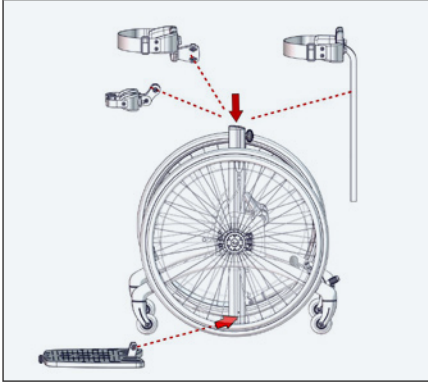
5.





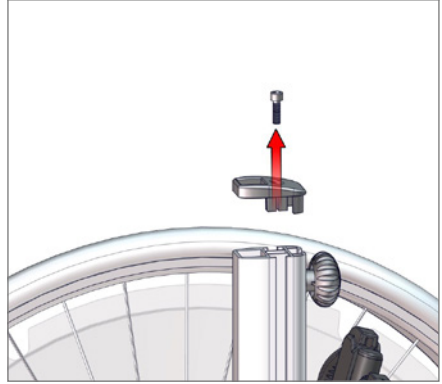


1.

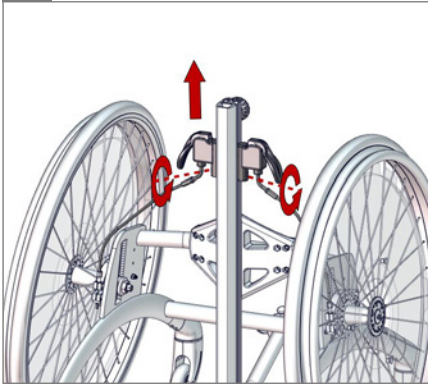


2.

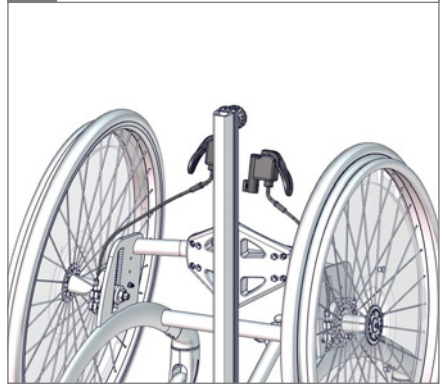
⬡ 5 mm



3.

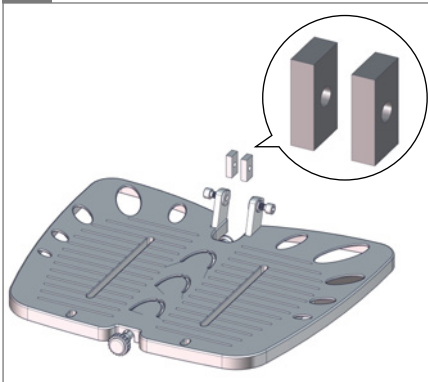


4.

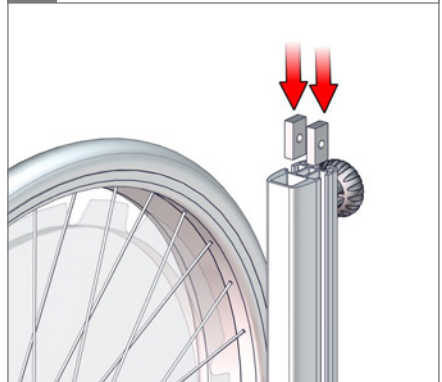


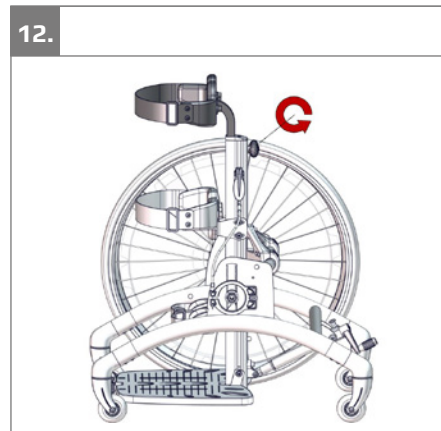
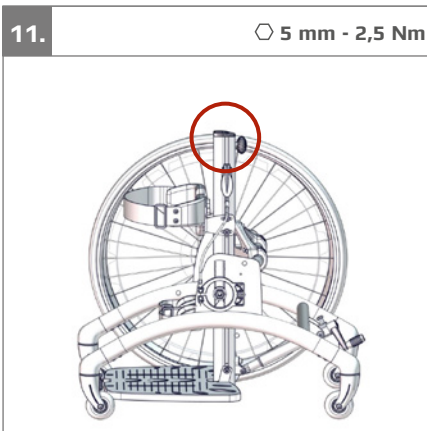
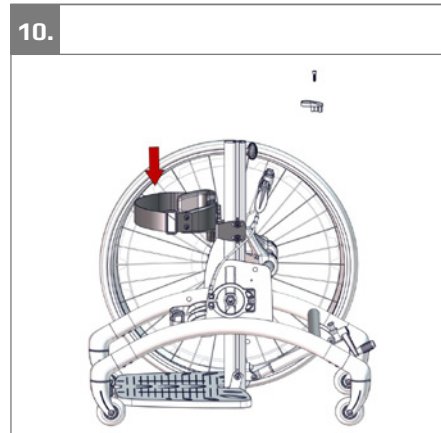
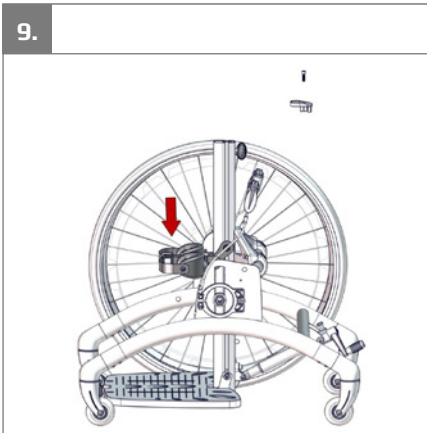
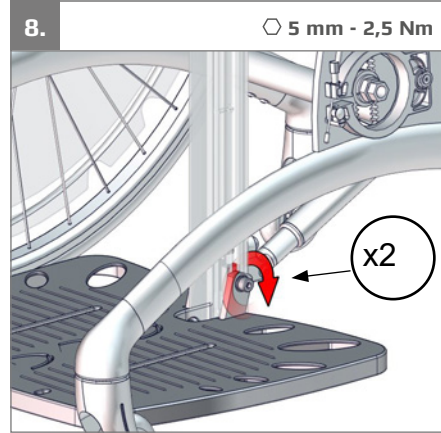
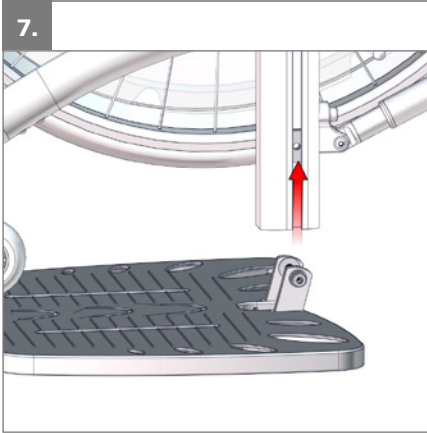
5.

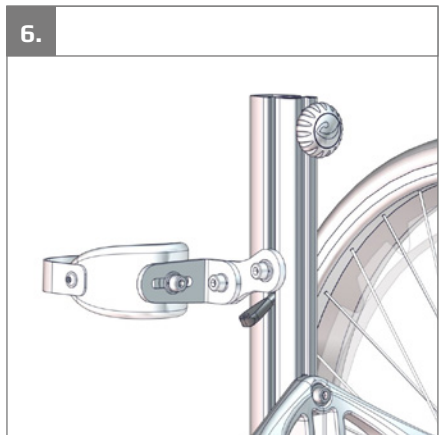
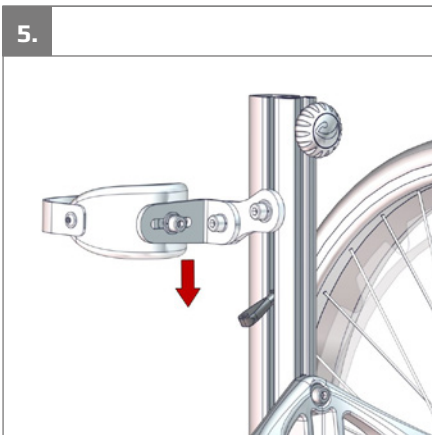
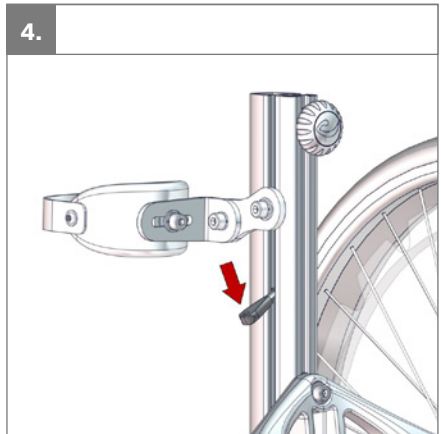
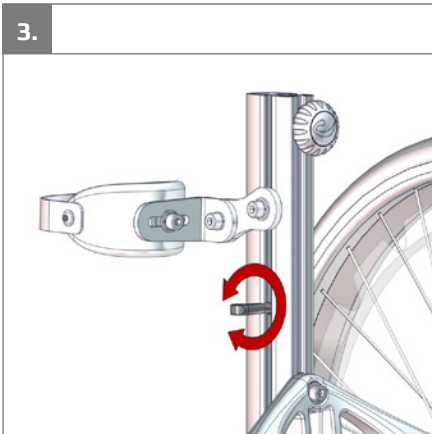
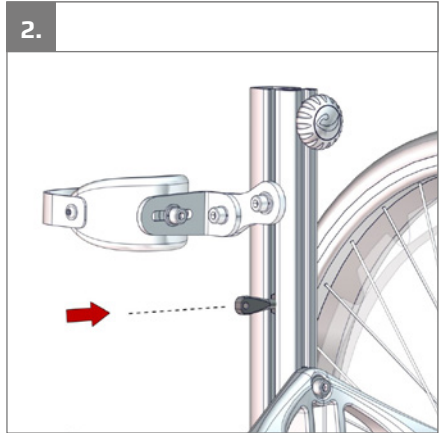
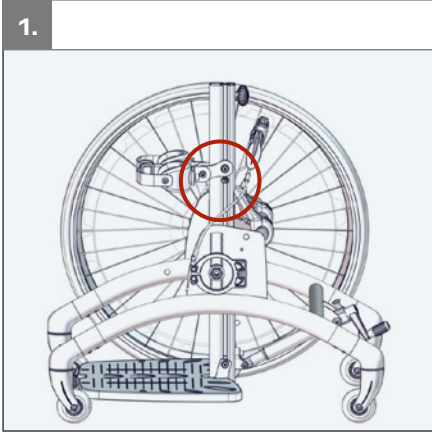
⬡ 5 mm

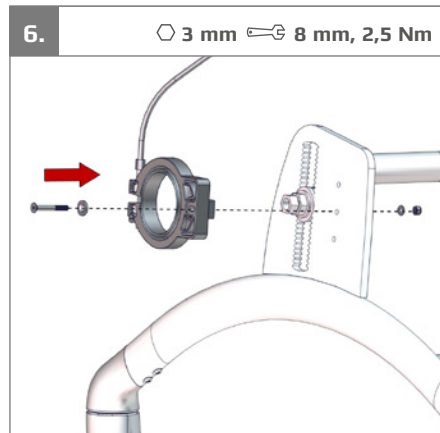
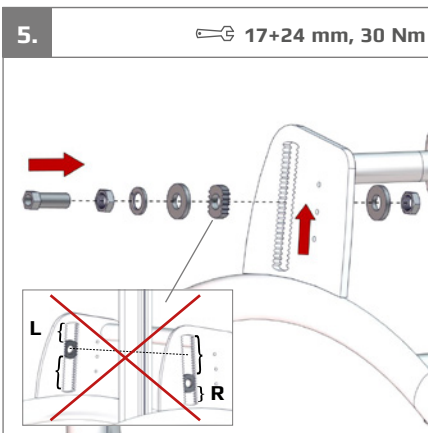
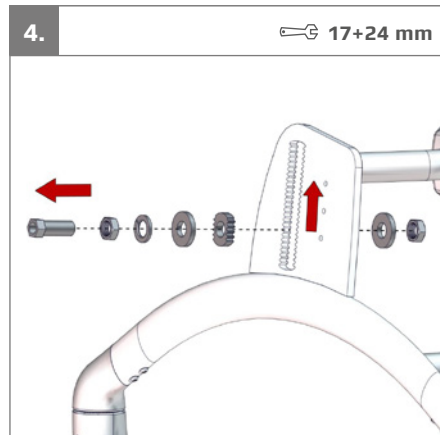
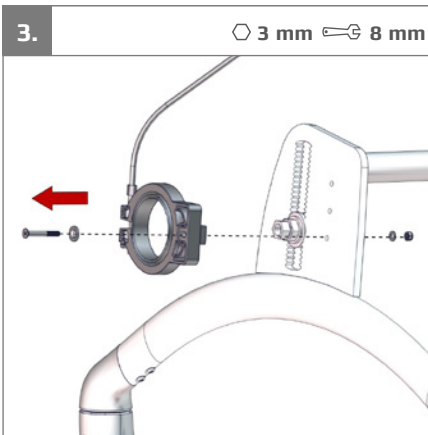
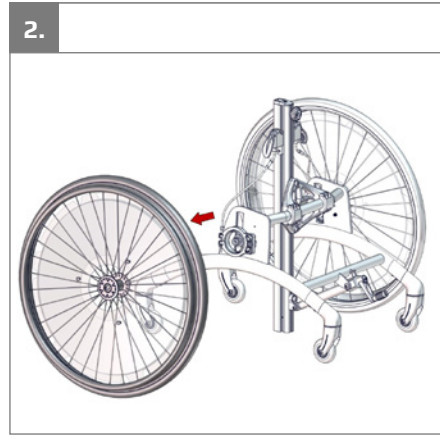
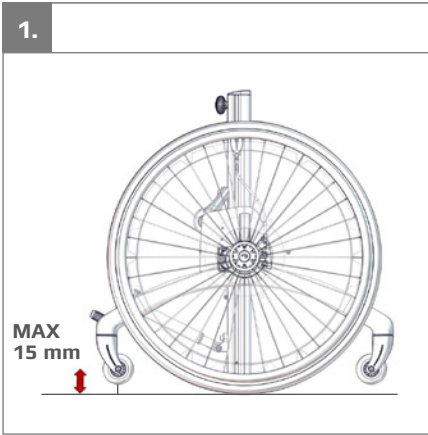


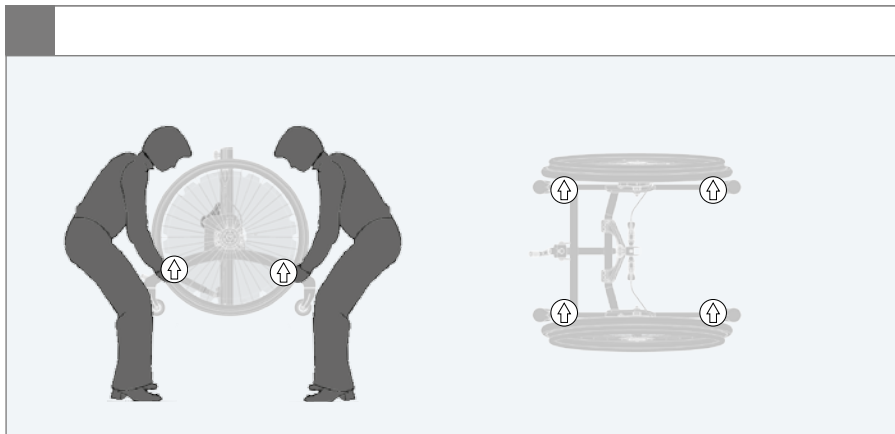
6.











A

[S] XXXXXXXX Max load: xxx kg
 DMR ver.:XXXX
 Art. no.:XXXXXXX
 Product:XXXX - Size X

(xx)xxxxxxxxxxxxxxxxxx(x)xxxxxxxx(xx)xxxxxx

B

R82[®]

Parallelsvej 3
 DK-8751 Gedved
 R82.org CE

Made in XXXXXXXX YYYY-MM-DD

C

**EN:** For indoor use**NO:** For innendørs bruk**FR:** Utilisation intérieure**RU:** Для использования в помещении**JP:** 屋内使用**DE:** Für den Innengebrauch**SV:** För inomhusbruk**IT:** Per uso interno**PL:** Do użytku wewnątrz**GR:** Κατάλληλο για εσωτερική χρήση**NL:** Voor binnenhuis gebruik**FIN:** Sisäkäyttöön**PT:** Para utilização em interiores**CZ:** Pro vnitřní používání**DK:** Til indendørs brug**ES:** Para uso en interiores**BR:** Para uso interno**SN:** 适用于室内使用

EN: Consult instructions. The latest version of the instructions is always available on the R82 website and can be printed in larger sizes

NO: Sjekk bruksanvisning på nett. Nyeste versjon av bruksanvisningen er alltid tilgjengelig, og kan skrives ut fra R82 nettsted

FR: Se reporter aux instructions / consulter les instructions. La version la plus récente est toujours disponible et peut être imprimée dans un grand format à partir du site internet de R82

RU: Прочитайте инструкции. Новейшая версия инструкций всегда доступна на веб-сайте компании R82 и может быть распечатана в увеличенном размере

JP: 説明をお読みください。この説明の最新バージョンは、R82のWebサイトからいつでもご利用いただけます。大きなサイズで印刷することができます

DE: Bedienungsanleitung. Die neueste Version der User Guide ist auf der R82 Internetseite verfügbar und steht zum Download bzw. Ausdruck zur Verfügung

SV: Se anvisningarna. Den senaste versionen av anvisningarna finns alltid tillgänglig och kan skrivas ut i större storlek från R82:s webbplats

IT: Leggere le istruzioni. Le ultime versioni dei manuali di istruzione sono sempre disponibili sul sito web R82 e possono essere stampate in dimensioni maggiori

PL: Zapoznanie się z instrukcją. Najnowsze wersje instrukcji obsługi są dostępne na stronie internetowej R82 i można je wydrukować w większych formatach

GR: Διαβάστε τις οδηγίες. Οι τελευταίες εκδόσεις των οδηγιών είναι πάντοτε διαθέσιμες στην ιστοσελίδα της R82 και μπορούν να εκτυπωθούν σε μεγαλύτερα μεγέθη

NL: Raadpleeg de instructies. De meest recente versie van alle instructies zijn altijd beschikbaar en kunnen worden afgedrukt in de groter formaat vanaf de R82 website

FIN: Lisäohjeet. Viimeisin versio kaikista ohjeista on aina saatavilla ja tulostettavissa R82 nettisivustolta

PT: Leia as instruções. As últimas versões das instruções estão sempre disponíveis na página da R82 na internet e podem ser impressas em tamanhos maiores

CZ: Poradenství a instrukce. Nejaktuálnější verze všech instrukcí je vždy dostupná na webu R82, odkud se dá stáhnout a i vytisknout

DK: Se vejledning. Den seneste version af denne vejledning er altid tilgængelig og kan udskrives i større størrelser fra R82 hjemmeside

ES: Consulte las instrucciones. La última versión de todas las instrucciones está siempre disponible y se puede imprimir en tamaños superiores desde la página web de R82

BR: Leia as instruções. As versões mais recentes das instruções sempre encontram-se disponíveis no site da R82 e podem ser impressas em tamanhos maiores

SN: 参考说明。所有说明的最新版本能够在R82网络上下载或打印

**EN:** Correct use**NO:** Korrekt bruk**FR:** Utilisation correcte**RU:** Правильное использование**JP:** 全適切な使用**DE:** Richtig**SV:** Korrekt användning**IT:** Uso corretto**PL:** Prawidłowe użytkowanie.**GR:** Ορθή χρήση**NL:** Juist gebruik**FIN:** Oikea käyttö**PT:** Uso correto**CZ:** Správné používanie**DK:** Korrekt brug**ES:** Uso correcto**BR:** Uso correto**SN:** 正确使用



EN: Warning: This symbol appears in the User Guide along with a number referring to the instructions below. It draws attention to situations where the product or the user or carer's safety may be in danger
01 = Entrapment Hazards
02 = Tilting Hazards
03 = Transportation in motor vehicles
05 = Squeezing Hazard

NO: Advarsel: Dette symbolet blir vist i brukerveiledningen sammen med et tall som henviser til instruksjonene under. Det gjør oppmerksom på situasjoner der produktet eller brukernes/omsorgytrens sikkerhet kan være truet
01 = Fare for å bli sittende fast
02 = Vippefare
03 = Transport i motorkjøretøyer
05 = Klemfare

FR: Avertissement: Ce symbole apparaît dans le guide de l'utilisateur avec un numéro faisant référence aux instructions ci-dessous. Il attire l'attention sur les situations dans lesquelles la sécurité du produit ou de l'utilisateur ou du soignant peut se trouver compromise
01 = Risques de coincement
02 = Risques à la bascule
03 = Transport à bord de véhicules motorisés
05 = Risques de pincement

RU: Предупреждение: Данное обозначение указывается в руководстве по эксплуатации вместе с номером, который относится к нижеприведенным инструкциям. Оно используется для привлечения внимания к ситуациям, в которых существует опасность для изделия, пользователя или лица, осуществляющего уход за пользователем
01 = Риск защемления
02 = Наклонное положение
03 = Передвижение в транспортных средствах
05 = Риск сжатия

JP: 警告: この記号は、以下の説明を示す番号と共にユーザーガイドに表示されています。これは、製品やユーザーまたは介護者が危険にさらされる状況について、注意を喚起します。
01 = 挟まる危険
02 = 傾斜させる際の危険
03 = 自動車内の輸送
05 = 圧迫の危険

DE: Warnung: Dieses Symbol erscheint in der Bedienungsanleitung zusammen mit einer zu den nachfolgenden Anleitungen gehörenden Nummer. Sie lenkt die Aufmerksamkeit auf Situationen, die für das Produkt oder den Betreuer ein Sicherheitsrisiko darstellen können.
01 = Gefahr durch Einklemmen
02 = Kippgefahr
03 = Warnhinweise! - Beförderung in Kraftfahrzeugen
05 = Gefahr durch Quetschen

SV: Varning: Den här symbolen används i handboken tillsammans med ett nummer som hänvisar till instruktionerna nedan. Den uppmärksammar på situationer som kan utgöra en säkerhetsrisk för produkten, användaren eller vårdgivaren.
01 = Risk att fastna
02 = Tipprisk
03 = Transport i fordon
05 = Klämrisk

IT: Avvertenza: Questo simbolo viene utilizzato nel Manuale Utente con un numero di riferimento alle istruzioni riportate di seguito. Richiama l'attenzione alle situazioni in cui la sicurezza del prodotto, dell'utente o dell'operatore potrebbe essere in pericolo
01 = Pericolo di incastro
02 = Pericoli durante la reclinazione della seduta
03 = Trasporto nei veicoli a motore
05 = Pericolo di schiacciamento

PL: Ostrzeżenie: Ten symbol pojawia się w podręczniku obsługi wraz z numerem odnoszącym się do poniższych instrukcji. Zwraca on uwagę na sytuacje, w których bezpieczeństwo produktu, użytkownika lub opiekuna może być zagrożone.
01 = Ryzyko uwięzienia
02 = Zagrożenia przechyty
03 = Transport w pojazdach silnikowych
05 = Ryzyko zmiążdżenia

NL: Waarschuwing: Dit symbool staat in de gebruiksaanwijzing samen met een getal dat naar de hieronder vermelde instructies verwijst. Het vestigt de aandacht op situaties waarin het product, de gebruiker of de veiligheid van derden in gevaar kan zijn.
01 = Gevaar voor beknelling
02 = Kantelgevaar
03 = Vervoer in motorvoertuigen
05 = Gevaar voor samendrukken

FIN: Varoitus: Tämä symboli näkyy käyttöohjeessa yhdessä numeron kanssa, joka viittaa jäljempänä näkyviin ohjeisiin. Sen avulla kiinnitetään huomiota tilanteisiin, joissa tuote tai käyttäjän tai hoitajan turvallisuus voi vaarantua.
01 = Juuttumisvaarat
02 = Vaarat kallistettaessa
03 = Kuljettaminen moottoriajoneuvoissa
05 = Puristumisvaara

PT: Aviso: Este símbolo aparece no Guia do Utilizador juntamente com um número a remeter para as instruções abaixo. Chama a atenção para situações em que possa estar em risco a segurança do produto, do utilizador ou do prestador de cuidados.
01 = Riscos de armadilha
02 = Perigos de basculação
03 = Transporte nos veículos motorizados
05 = Riscos de compressão

CZ: Upozornění: Tento symbol je uveden v uživatelské příručce spolu s číslem odkazujícím na níže uvedené ilustrace. Upozorníje na situace možné ohrožení bezpečnosti produktu, uživatele nebo pečovatele.
01 = Nebezpečí zachycení
02 = Riziko při naklápění
03 = Přeprava v motorových vozidlech
05 = Nesprávné použití

GR: Προειδοποίηση: Αυτό το σύμβολο εμφανίζεται στις οδηγίες χρήσης συνοδευόμενο από έναν αριθμό που αναφέρεται στις παρακάτω οδηγίες. Εμφιστά την προσοχή σε καταστάσεις στις οποίες ενδέχεται να υφίσταται κίνδυνος για την ασφάλεια του προϊόντος, του χρήστη ή του φροντιστή
01 = Κίνδυνος παγίδευσης
02 = Κίνδυνοι ανατροπής
03 = Μεταφορά σε μηχανοκίνητα οχήματα
05 = Κίνδυνος συμπίεσης

DK: Advarsel: Dette symbol vises i brugervejledningen sammen med en nummerhenvisning til nedenstående instruktioner. Det henleder opmærksomheden på situationer, hvor produktet, brugeren eller plejersens sikkerhed kan være i fare
01 = Risiko for fastklemning
02 = Fare for tilt af produkt
03 = Transport i motorkøretøjer
05 = Risiko for klemning

ES: Advertencia: Este símbolo aparece en la Guía del usuario junto con un número de referencia a las siguientes instrucciones. Llama la atención sobre situaciones en las que el producto o el usuario o la seguridad del cuidador pueda estar en peligro
01 = Riesgos de atrapamiento
02 = Peligro de vuelco
03 = Transporte en vehículos
05 = Riesgo de aplastamiento

BR: Advertência: Este símbolo aparece no Manual do Usuário, juntamente com um número relacionado às instruções abaixo. Ele serve para indicar situações nas quais a segurança do produto, do usuário ou do cuidador possa estar comprometida
01 = Riscos de armadilha
02 = Perigos de Inclinação
03 = Transporte nos veículos motorizados
05 = Riscos de compressão

SN: 警告: 在用户指南中该符号同数字一起出现, 指示下方所列的各种说明。其目的是唤起对产品、用户或照管者可能处于危险的注意
01 = 卡住危险
02 = 倾斜危险
03 = 汽车运输
05 = 挤压危险



EN Correct lifting point

NO: Riktig løftpunkt

FR: Point de levée approprié

RU: Надлежащая точка подъема

JP: リフティング・ポイントの修正

DE: Korrekter Hebepunkt

SV: Korrekt lyftpunkt

IT: Punto di sollevamento corretto

PL: Prawidłowy punkt podnoszenia

GR: Σωστό σημείο λαβής

NL: Correcte techniek van optillen

FIN: Oikea nostopiste

PT: Corrija o ponto de elevação

CZ: Správný zvedací bod

DK: Korrekt løftepunkt

ES: Punto de elevación correcto

BR: Ponto de elevação correto

SN: 请调整吊点



EN: Manual cleaning: Keep clean to maintain optimum function

NO: Manuell rengjøring: Holdes rent for å opprettholde optimal funksjon

FR: Nettoyage manuel: Nettoyer régulièrement ce produit pour assurer une utilisation optimale

RU: ручная чистка : Поддерживайте изделие в чистоте для поддержания его оптимального функционирования

JP: 手動洗浄：機能を最適に維持するために常に清潔にしておいてください

DE: Manuelle Reinigung: Halten Sie das Produkt sauber um eine optimale Funktionstüchtigkeit zu gewährleisten

SV: Manuell rengöring: Håll produkten ren för optimal funktion

IT: Pulizia maniale: Mantenere pulito per mantenere un funzionamento ottimale

PL: Czyszczenie ręczne: Utrzymywać w czystości, aby zapewnić optymalne funkcjonowanie

GR: χειροκίνητο καθαρισμό: Διατηρείτε το προϊόν καθαρό για να εξασφαλίσετε την άψογη λειτουργία του

NL: Handmatige reiniging: Schoonhouden om een optimale werking te behouden

FIN: Manuaalinen puhdistus: Puhtaanapito ylläpitää optimaalisen toiminnan

PT: Limpeza manual: Mantenha o produto limpo para conservar o bom funcionamento

CZ: Czyszczenie ręczne: Udržujte v čistotě a tím zajistíte optimální funkčnost

DK: Manuel rengøring: Skal holdes rent for at opretholde optimal funktion

ES: Limpieza manual: Mantenga la limpieza para conservar el funcionamiento óptimo del producto

BR: Limpeza manual: Mantenha o produto limpo para sempre contar com sua melhor função

SN: 手工清洗：做好产品清洁，以维持设备的最佳功能。



EN: Inspection

NO: Undersøkelse

FR: Inspection

RU: осмотр

JP: 検査

DE: Inspektion

SV: Inspektion

IT: Ispezione

PL: Kontrola

GR: Επιθεώρηση

NL: Inspectie

FIN: Tarkastus

PT: Inspeção

CZ: Inspekce

DK: Inspektion

ES: Inspección

BR: Inspeção

SN: 检查



EN: Incorrect use

NO: Feil bruk

FR: Utilisation incorrecte

RU: Неправильное использование

JP: 適不適切な使用

DE: Falsch

SV: Felaktig användning

IT: Uso errato

PL: Nieprawidłowe użytkowanie.

GR: Λανθασμένη χρήση

NL: Onjuist gebruik

FIN: Virheellinen käyttö

PT: Uso incorreto

CZ: Nesprávné používanie


















DK: Forkert brug

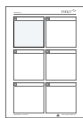
ES: Uso incorrecto

BR: Uso incorreto

SN: 错误使用

mm (inch)

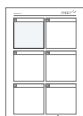
	 1	 2	 3	 4
 Overall width	615 (24¼")	720 (28¼")	730 (28¾")	740 (29¼")
 Width inside	325 (12¾")	425 (16¾")	425 (16¾")	425 (16¾")
 Length	620 (24½")	750 (29½")	800 (31½")	900 (35½")
 Overall height	670-1000 (26½"-39¼")	850-1180 (33½"-46½")	990-1310 (39-51½")	1200-1530 (47¼"-60¼")
 Height from foot plate	550-740 (21¾"-29¼")	750-1080 (29½"-42½")	830-1190 (33¾"-46¾")	960-1420 (37¾"-56")
 Center bar length	500 (19¾")	700 (27½")	800 (31½")	1000 (39¼")
 Center bar angle	0 -> +30°	0 -> +30°	0 -> +30°	0 -> +30°
 Foot plate angle	15° -> -10°	15° -> -10°	15° -> -10°	15° -> -10°
 Camber	8°	6°	4°	4°
 Total mass	13,5 kg (29.75 lb)	15,5 kg (34.1 lb)	16 kg (35.25 lb)	18,5 kg (40.75 lb)
 Max load	40 kg (88.1 lb)	50 kg (110.2 lb)	60 kg (132.2 lb)	70 kg (154.3 lb)
 Static stability downhill & uphill	5°	5°	5°	5°
 Static stability sideways	5°	5°	5°	5°



9996097642



9996097643



9996097810

ENGLISH

We appreciate your choice of a new product from R82 - a worldwide supplier of technical aids and appliances for children and teenagers with special needs. To fully benefit from the options offered by this product please read this User Guide before use and save it for future reference.

Intended purpose

The Rabbit is a mobile standing frame providing users the possibility of moving around and orientate oneself. The standing position enables the child to be an active participant, whilst stimulating senses and giving the child more independence. The Rabbit is suitable for many users e.g. children with CP, GMFCS level 3 - 4. The Rabbit comes in 4 sizes.

Enclosed tools:

- 5 mm Allen key
- 6 mm Allen key



Declaration of Conformity

This product conforms to the requirements of the Medical Devices Directive (93/42/EEC). The CE mark must be removed when rebuilding the product, when used in combination with a product from another manufacturer or when using other than original R82 spare parts and fittings. Further, this product conforms to the requirements according to:

- EN 12182



Disposal

When a product reaches the end of its lifetime, it should be separated by material type so that the parts can be recycled or disposed of properly. If required, please contact your local dealer for a precise description of each material. Please contact your local authorities to be informed of the options available for recycling in an environmentally-friendly way.

Accessories and spare parts

The products from R82 can be supplied with a variety of accessories which comply with the needs of the individual user. Spare parts can be ordered on request. Find the specific accessories on our website or contact your local dealer for further information.

R82 Warranty

R82 offers a 2-year warranty against defects in workmanship and materials and a 5-year warranty on breakage of the metal frame caused by defects in welds. The warranty would be adversely affected if the customer's responsibility of servicing and/or maintenance is not carried out according to the guidelines and intervals prescribed by the supplier and/or stated in the User Guide. For further information, we refer to the R82 homepage/download.

The warranty is only granted in the country where the product was purchased and if the product can be identified by the serial number. The warranty does not cover accidental damage, including damage caused by misuse or neglect. The warranty does not extend to consumable items e.g. tires or upholstery, which are subject to normal wear and tear and need periodic replacement.

The warranty is null and void if other than original parts/accessories are used, or if the product has not been maintained, repaired or altered according to the guidelines and intervals prescribed by the supplier and/or stated in the User Guide. R82 reserves the right to inspect the product being claimed for and the relevant documentation before agreeing to the warranty claim, and to decide upon whether to replace or repair the defective product. It is the customer's responsibility to return the item being claimed for under warranty to the address of purchase.

Presales information

- support.r82.org

Safety

Signs, symbols and instructions placed on this product must never be covered or removed and must remain present and clearly legible throughout the entire lifetime of the product. Immediately replace or repair illegible or damaged signs, symbols and instructions. Contact your local dealer for instructions.

Caregiver

- Read the "User Guide" carefully before use and keep it for future reference. Incorrect use of this product may cause serious injury to the user
- Always use the correct lifting techniques and aids for this purpose
- Never leave the user unattended in this product. Ensure permanent supervision by an adult
- Repair/replacements must only be made using new original R82 spare parts and fittings and carried out in accordance with the guidelines and service intervals prescribed by the supplier
- If there is any doubt as to the continued safe use of your R82 product or if any parts should fail, stop using the product immediately and contact your local dealer as soon as possible
- Ensure that moving parts does not squeeze or trap body parts when adjusting them

Environment

- Observe the surface temperature on the product, before placing an user in it. This goes especially for users with insensitive skin as they cannot feel the heat. If the surface temperature is above 41 °C then allow the product to cool before use
- Use this product on a level surface without any obstacles. Be aware of reduced maneuverability on slippery surfaces
- When using on inclines, please refer to measurements

User

- If the user is close to the max. load limit and/or has a lot of involuntary movements, e.g. rocking, a larger size with a higher max. load or a different R82 product should be considered

Product

- Carry out all positional adjustments on the product and accessories and ensure that all knobs, screws and buckles are securely fastened before use. Keep all tools out of the reach of children
- Activate the brakes before placing the user into the product
- Ensure the stability of the product is maintained before placing the user in it
- Ensure the wheels are fully-functional and secure before use
- Inspect the product and all of its accessories and replace any worn out parts before use
- Do not expose the gas spring to pressure or high temperatures. DO NOT puncture
- Do not expose the piston rod to scratches etc. It is important to use a cloth or the like, if tools are used to adjust the gas spring
- This product is tested for resistance to ignition at level non-ignition in accordance with EN 1021-1 and EN 1021-2
- The product might lose its flame resistant characteristics if using other than original R82 cushioning
- This product is not to be occupied in a motor vehicle. The user must be positioned in a vehicle seat and the product must be stored in a luggage compartment
- The user must not occupy the product while it is being transported into or out of a vehicle by a lift

Service information

Maintenance of a medical device is wholly the responsibility of the owner of that device. Failure to maintain a device in accordance with the instructions may invalidate the device's warranty. Furthermore, failure to maintain a device may compromise the clinical condition or safety of users and/or their caregivers.

1st Day

- Read the User Guide carefully before use and store it in a safe place for future reference
- Store the enclosed tools on/at the product

Daily

- Use a dry cloth to clean the product
- Visual inspection. Repair or replace any damaged or worn-out parts
- Ensure that all fasteners are in place and fitted correctly
- Check all fittings and buckles for signs of worn out parts
- Be aware of any MAX mark indications before adjustment

Weekly

- Check that all castors are moving freely and that all wheel locks/brakes are easily activated
- Wipe off any residue and dirt from the product using a cloth with warm water and a mild detergent/soap and dry before use
- Check that the angle mechanism functions correctly and that the safety lock is working correctly
- Disinfect the product. please check the disinfection section in this User Guide for more information

Monthly

- All nuts and bolts on this product must be checked and tightened to avoid unnecessary failures
- Oil the swing-away parts. We recommend you use a professional lubricant system

Annually

- Inspect the frame for cracks or signs for worn-out parts and carry out annual service. Never use a product which appears to be substandard or faulty

Warewashing machine

This product can be washed at:

- 60 °C in 10 minutes
- 85 °C in 3 minutes

...using a mild detergent in a washing machine designed for medical devices. Use the machine's drying function to dry the product. Clean the accessories separately.

Before washing

Remove the following items and clean them separately:

- Accessories
- Cushioning
- Spoke protectors

Disinfection

The product can be disinfected with a 70% disinfectant IPA solution. It is recommended to wipe off any residue and dirt from the product, using a cloth with warm water and a mild detergent/soap without chlorine and let it dry before disinfection.

Service interval

A detailed inspection of the product must be made every 12 months (every 6 months for heavy users) and every time the product is reissued for use. The inspection should be carried out by a technically competent person who has been trained in the use of the product.

The lifetime of this product in normal use is 5 years if all maintenance and servicing is carried out in accordance with the manufacturer's instructions and demonstrably recorded.

DEUTSCH

Herzlichen Glückwunsch und vielen Dank für die Wahl des neuen Produktes von R82 - einem weltweiten Lieferanten für Hilfsmittel und Therapiegeräte für behinderte Kinder und Jugendliche. Um alle Möglichkeiten des Produktes kennen zu lernen, empfehlen wir Ihnen, diese Bedienungsanleitung zu lesen und für den späteren Gebrauch aufzubewahren.

Zweckbestimmung

Der Rabbit ist ein modernes Stehgerät, welches den Nutzer die Möglichkeit gibt zu stehen und sich selbst im Raum zu bewegen. In der Stehposition ist das Kind in der Lage am Leben aktiv teilzuhaben, die Sinne zu stimulieren und mehr Unabhängigkeit zu haben. Der Rabbit kann für viele verschiedene Nutzer eingesetzt werden, z.B. Kinder mit CP, GMFCS level 2-5 usw.. Der Rabbit ist in 4 Größen erhältlich.

Mitgelieferte Werkzeuge:

- 5 mm Inbusschlüssel
- 6 mm Inbusschlüssel

Konformitätserklärung

Dieses Produkt entspricht den Anforderungen der Richtlinie 93/42/EEC für Medizinprodukte. Das CE Zeichen muss entfernt werden, wenn das R82 Produkt umgebaut, verändert oder in Kombination mit Produkten von anderen Herstellern verwendet wird. Das CE Zeichen erlischt ebenfalls, wenn andere als R82 Originalteile/Originalzubehörteile verwendet werden. Diese Produkt ist außerdem konform zu den Anforderungen der:

- EN 12182



Recycling Information

Am Ende des Produktlebenszyklus, kann das Produkt durch das Trennen und Separieren der einzelnen Materialien entsorgt und recycled werden. Bitte kontaktieren Sie bei Bedarf die lokalen Behörden, um sich über die Möglichkeit der umweltfreundliche Wiederverwendung der einzelnen Materialien des Produktes zu informieren. Bitte kontaktieren Sie die lokalen Behörden, um sich über die Möglichkeiten einer umweltfreundlichen Wiederverwertung des gebrauchten Produktes zu informieren.

Zubehör und Ersatzteile

Das R82 Produkt kann mit einer Vielzahl von verschiedenen Zubehörteilen geliefert werden, um es an die individuellen Bedürfnisse des Nutzers optimal anzupassen. Ersatzteile sind auf Anfrage erhältlich. Sie finden die verschiedenen Ausführungen des Zubehörs auf unserer Homepage, fragen Sie Ihren Fachhändler nach weiteren Informationen.

R82 Garantie

R82 gewährt eine Garantie von 2 Jahren auf die Verarbeitung und das Material sowie eine Garantie von 5 Jahren auf das Metallgestell (gegen Bruchschäden an Schweißnähten). Die Garantie erlischt, wenn der Kunde seiner Verpflichtung zur täglichen Pflege und/oder Wartung gemäß den vom Hersteller vorgegebenen und/oder in der Bedienungsanleitung genannten Richtlinien und Intervallen nicht nachkommt. Weitere Informationen finden Sie auf der Homepage von R82 unter „Download“.

Die Gewährleistung besteht nur in dem Land, in dem das Produkt gekauft wurde und wenn sich das Produkt anhand seiner Seriennummer identifizieren lässt. Von der Garantie ausgeschlossen sind Unfallschäden sowie Schäden, die durch falsche Verwendung oder Fahrlässigkeit verursacht wurden. Die Garantie beinhaltet keine Teile, die einem Verschleiß oder einer normalen Abnutzung unterliegen, z.B. Reifen, Polster usw.. Diese Verschleißteile müssen regelmäßig überprüft und bei Bedarf getauscht werden.

Die Garantie erlischt, wenn andere als Originalteile/Originalzubehörteile verwendet werden oder wenn das Produkt nicht den Richtlinien und Abständen entsprechend gewartet, repariert oder verändert wird, die vom Lieferanten vorgeschrieben und/oder in der Bedienungsanleitung aufgeführt sind. R82 behält sich das Recht vor, das fragliche Produkt sowie die relevanten Unterlagen in Augenschein zu nehmen, bevor ein Garantieanspruch anerkannt wird, und zu entscheiden, ob das defekte Produkt ausgetauscht oder repariert wird. Der Kunde ist verpflichtet, das fragliche Produkt (zu dem der Garantieanspruch geltend gemacht wird) an die Kaufadresse zurückzugeben.

Vorverkaufsinformationen

- Support.r82.org

Sicherheitshinweise

Zeichen, Symbole und Anleitungen sind auf diesem Produkt angebracht und müssen auch während der gesamten Lebensdauer des Produktes angebracht bleiben und deutlich lesbar sein. Beschädigte, unlesbare oder entfernte Zeichen, Symbole oder Anleitung müssen sofort ersetzt werden. Setzen Sie sich hierzu mit dem zuständigen Fachhandel in Verbindung.

Eltern, Therapeuten, Pflegedienst

- Lesen Sie diese Bedienungsanleitung aufmerksam vor dem ersten Gebrauch des Produktes und verwahren Sie diese für den späteren Gebrauch. Die Sicherheit des Nutzers kann beeinträchtigt werden, wenn Sie nicht den Anweisungen der Anleitung folgen.
- Nutzen Sie das Hilfsmittel immer nur zu dem Anwendungszweck, für den es von R82 entwickelt wurde
- Lassen Sie den Nutzer niemals unbeaufsichtigt das Produkt benutzen. Stellen Sie sicher, dass der Nutzer immer durch einen Erwachsenen beaufsichtigt wird
- Für Reparaturen bzw. beim Austausch von Teilen dürfen nur neue Original R82 Ersatz- und Zubehörteile verwendet, die Bedienungseinleitung muss beachtet und die Intervalle für Wartungen, die durch den Lieferanten vorgegeben sind, müssen eingehalten werden
- Wenn Zweifel an der Sicherheit des genutzten R82 Produktes bestehen bzw. wenn Teile defekt oder fehlerhaft sind, stellen Sie bitte sofort die Nutzung des Produktes ein und informieren Sie umgehend, den für Sie zuständigen Fachhändler
- Stellen Sie bei der Einstellung der beweglichen Teile sicher, dass durch diese keine Körperteile gequetscht oder einklemmt werden

Umfeld

- Stellen Sie sicher, dass die Oberfläche des Produkts eine angenehme Temperatur hat, bevor Sie den Benutzer hineinsetzen. Dies gilt insbesondere für Benutzer mit unempfindlicher Haut, da diese eine eventuelle Hitzeinwirkung nicht spüren können. Wenn die Oberflächentemperatur mehr als 41 °C beträgt, lassen Sie das Produkt vor der Nutzung abkühlen
- Nutzen Sie das Produkt nur auf ebenen Untergrund ohne Hindernisse bzw. anderen Unebenheiten. Bitte beachten Sie die eingeschränkte Manövrierfähigkeit auf glattem Untergrund
- Bitte beachten Sie die entsprechenden Angaben (siehe Abmessungen), wenn Sie dieses Produkt auf einem Untergrund mit Gefälle nutzen

Nutzer

- Wenn der Nutzer mit seinem Gewicht nah an der max. Belastbarkeit des Produktes ist und / oder er stärkere ungewollte Bewegungen hat, z.B. Spastiken, sollte überlegt werden, ob eine größere Größe des Produktes mit einem höheren Nutzergewicht oder ein anders R82 Produkte die bessere Wahl ist

Produkt

- Führen Sie alle Einstellung bzw. Anpassung der Zubehörteile zur Positionierung des Nutzers durch und überprüfen Sie, ob alle Schrauben, Handschrauben und Verschlüsse korrekt angezogen bzw. verriegelt sind, bevor das Produkt genutzt wird. Das Werkzeug darf sich nicht in der Reichweite des Nutzers befinden
- Betätigen Sie die Bremsen bevor der Nutzer im Produkt platziert wird
- Stellen Sie sicher, dass die Stabilität bzw. Standsicherheit des Produktes gewährleistet ist, bevor der Nutzer im Produkt platziert wird und die Bremsen
- Stellen Sie sicher, dass die Räder und Reifen funktionstüchtig und sicher sind bevor das Produkt genutzt wird
- Überprüfen Sie das Produkt bzw. die Zubehörteile und ersetzen Sie abgenutzte Teile, bevor das Produkt genutzt wird
- Setzen Sie die Gasfeder nicht dem Druck oder hohen Temperaturen aus. NICHT punktieren
- Achten Sie darauf, dass die Kolbenstange nicht zerkratzt wird usw. Wenn die Gasfeder mit Hilfe von Werkzeugen eingestellt wird, muss unbedingt ein Tuch oder Ähnliches verwendet werden
- Dieses Produkt wurde auf seine Beständigkeit gegen Entzündung oder gleichmäßige Nichtentzündung gemäß EN1021-1 und EN 1021-2 getestet
- Dieses Produkt kann seine schwer entflammaren Eigenschaften verlieren, wenn es in andere Polster als die original R82 Polster eingesetzt wird.
- Dieses Produkt ist nicht für den Transport im Fahrzeug mit dem Nutzer geeignet. Der Nutzer muss in einem geeigneten Autositz gesichert sein und das Produkt gesichert im Gepäckraum transportiert werden
- Der Nutzer darf sich nicht in dem Produkt befinden, wenn er über eine Hebebühne, Lift oder Rampe in oder aus einem Fahrzeug steigt bzw. gesetzt wird

Serviceinformationen

Die Verantwortlichkeit für die Wartung des medizinischen Hilfsmittels bzw. Therapiegerätes liegt in der Verantwortung des Eigentümers bzw. Besitzers des Produktes. Die Nichteinhaltung der Wartungen bzw. der Wartungsintervalle gemäß dem Zeitplan der Bedienungsanleitung des Produktes kann das Erlöschen der Garantie dieses Produktes zur Folge haben. Weiterhin kann die Nichteinhaltung der Wartungen zu einer Beeinträchtigung der Funktionstüchtigkeit führen bzw. die Sicherheit des Nutzers und / oder der Pflegekraft bzw. Begleitperson gefährden.

1. Tag

- Lesen Sie die Anleitung sorgfältig vor dem Gebrauch des Produktes und bewahren Sie diese für die spätere Verwendung auf
- Verstauen Sie das Werkzeug auf/an dem Produkt

Täglich

- Benutzen Sie ein trockenes Tuch zur Reinigung
- Optische Inspektion. Defekte oder abgenutzte Teile müssen umgehend ersetzt oder repariert werden. Versichern Sie sich, dass alle Befestigungen an ihrem Platz sind
- Versichern Sie sich, dass alle Befestigungen an ihrem Platz sind
- Überprüfung der Gurte, Westen, Verschlüsse auf Verschleisspuren
- Achten Sie bei alle Einstellungen auf die MAX Angaben bzw. Kennzeichnungen

Wöchentlich

- Überprüfen Sie, dass sich alle Rollen einwandfrei drehen und dass alle Rollenbremsen bzw. Rollenfeststeller einwandfrei funktionieren
- Nutzen Sie ein Tuch mit warmen Wasser und ein mildes Reinigungsmittel, um Schmutz zu entfernen und das Produkt zu reinigen. Trocknen Sie das Produkt ab, bevor es wieder genutzt wird
- Überprüfen Sie, dass die Winkelverstellung fehlerfrei und die Sicherheitsverriegelung einwandfrei funktioniert
- Desinfizieren Sie das Produkt. Weitere Informationen hierzu erhalten Sie im Abschnitt „Desinfektion“ in diesem Benutzerhandbuch.

Monatlich

- Alle Schrauben, Muttern und anderen Verriegelungen müssen regelmäßig überprüft und festgezogen werden, um ungewollten Fehlern vorzubeugen
- Ölen Sie die beweglichen Teile, wir empfehlen ein professionelles Schmiermittel

Jährlich

- Überprüfen Sie den Rahmen und die Rahmentteile auf Verschleiß bzw. Nutzen Sie niemals ein Produkt mit festgestellten Fehlern oder Mängeln. Lassen Sie min. einmal im Jahr die Inspektion durchführen

Reinigung in einer Spezialwaschmaschine

Dieses Produkt kann gewaschen werden bei:

- 60 °C in 10 Minuten
- 85 °C in 3 Minuten

... mit einem milden Waschmittel in einer Waschmaschine, die für Medizinprodukte ausgelegt ist. Das Produkt mithilfe der Trocknerfunktion der Maschine trocknen. Zubehör gesondert reinigen.

Vor dem Waschen

Die folgenden Komponenten entfernen und separat reinigen:

- Zubehör
- Polsterung
- Speichenschutz

Desinfektion

Das Produkt kann mit einer 70%igen Isopropanol-Desinfektionslösung desinfiziert werden. Es wird empfohlen, sämtliche am Produkt anhaftenden Rückstände und Schmutz mit einem Tuch mit warmem Wasser und einem milden Reinigungsmittel/einer milden Seife (chlorfreies Produkt) zu entfernen und das Produkt vor der Desinfektion trocken zu lassen.

Serviceintervalle

Eine umfassende Inspektion des Produktes muss alle 12 Monate durchgeführt werden (bei starker Beanspruchung bzw. schweren Nutzern alle 6 Monate) und zusätzlich jedes mal, wenn das Produkt für einen Nutzer verwendet wird. Die Inspektion muss von einer technischen Fachkraft durchgeführt werden, die für dieses Produkt geschult worden ist. Bitte informieren Sie im Falle einer Reparatur ihren Fachhändler.

Nutzungsdauer: Die Lebensdauer dieses Produktes beträgt bei normalem Einsatz 5 Jahre unter der Voraussetzung, dass jeder Service und jede Wartung innerhalb der Intervalle des Wartungsplans des Herstellers durchgeführt und dokumentiert worden ist.

Wiedereinsatz

Die Wartung und Beurteilung des Zustandes und gegebenenfalls der Wiedereinsatzbarkeit obliegt dem Fachhandel. Das Hygiene-System ist für den Wiedereinsatz geeignet. Für den Wiedereinsatz ist keine vorherige Demontage vorgesehen. Im Falle einer Lagerung ist es empfehlenswert, das Produkt zur Platzersparnis auf das kompakteste Maß einzustellen. Detaillierte Angaben zum Wiedereinsatz finden Sie in der Dokumentation Strong Base Wiedereinsatz unter <http://www.r82.de/hilfe>

NEDERLANDS

Wij waarderen uw keus voor deze voorziening van R82 - een wereldwijde leverancier van technische hulpmiddelen en apparatuur voor kinderen en jongeren met een beperking. Om optimaal gebruik te maken van alle mogelijkheden die deze voorziening biedt, raden wij u aan deze informatie goed door te lezen, voordat u deze voorziening gaat gebruiken. Bewaar deze User Guide als naslagwerk.

Bestemming

De Rabbit is een mobiele statafel die kinderen de mogelijkheid biedt om rond te rijden en hun omgeving te verkennen. Door de staande houding kan het kind actief deelnemen terwijl de zintuigen worden gestimuleerd en het kind meer zelfstandigheid wordt gegeven. De Rabbit is geschikt voor veel kinderen bijv. met CP, GMFCS niveau 2-5. De Rabbit is er in 4 maten.

Meegelieferd gereedschap:

- 5mm inbussleutel
- 6mm inbussleutel



Verklaring van overeenstemming

Deze voorziening voldoet aan de eisen van Richtlijn 93/42/EEG betreffende Medische Hulpmiddelen. De CE-sticker moet worden verwijderd wanneer de dealer de voorziening heeft aangepast, of voorzien heeft van een zitsysteem van een andere leverancier, of niet-originele R82 onderdelen of accessoires heeft gebruikt. Verder voldoet dit product aan de eisen conform:

- EN 12182



Recycle informatie

Wanneer een voorziening het einde van haar levensduur bereikt, dient het te worden gescheiden op verschillende materialen, zodat de onderdelen kunnen worden gerecycled of op een juiste wijze kunnen worden afgevoerd. Neem, indien nodig, contact op met de importeur voor een nauwkeurige beschrijving van elk materiaal.

Accessoires en reserve onderdelen

De voorzieningen van R82 kunnen worden uitgerust met diverse accessoires, die voldoen aan de behoefte van het kind/de tiener. Vervangende-onderdelen zijn beschikbaar op aanvraag. De specifieke accessoires vindt u op onze website. Neem contact op met uw dealer voor meer informatie.

R82 Garantie

R82 biedt 2 jaar garantie op gebreken in uitvoering en materialen en 5 jaar garantie op framebreuk veroorzaakt door lasfouten. De garantie kan nadelig worden beïnvloed, indien de dealer of ouders zijn/haar verantwoordelijkheid niet neemt ten aanzien van servicebeurten en/of dagelijks onderhoud conform de door R82 voorgeschreven en/of in de User Guide aangegeven richtlijnen en intervallen. Voor meer informatie verwijzen we naar de website van R82 onder de rubriek; Service > download.

De garantie geldt alleen in het land waar het product is gekocht, en als de voorziening kan worden geïdentificeerd aan de hand van het serienummer. De garantie dekt geen schade door ongevallen, met inbegrip van schade veroorzaakt door onjuist gebruik of onachtzaamheid. De garantie heeft geen betrekking op gebruiksonderdelen zoals bijvoorbeeld banden en bekleding welke onderhevig zijn aan normale slijtage en op gezette tijden moeten worden vervangen.

Deze garantie vervalt indien andere dan niet-originele onderdelen/accessoires worden gebruikt of als het product niet is onderhouden, gerepareerd of gewijzigd volgens de richtlijnen en intervallen die door de leverancier worden voorgeschreven en/of worden vermeld in de gebruikershandleiding (User Guide). R82 behoudt zich het recht voor om de voorziening waarvoor een claim wordt ingediend inclusief de bijbehorende documentatie te onderzoeken alvorens de garantie claim te honoreren en/of te besluiten de defecte voorziening, accessoire of het onderdeel te vervangen of te repareren. De dealer dient het betreffende onderdeel waarvoor een claim wordt ingediend op te sturen naar het adres waar hij het heeft aangeschaft.

Voorverkoopinformatie

- Support.r82.org

Veiligheid

De op deze voorziening aangebrachte stickers, aanduidingen en instructies mogen nooit afgedekt of verwijderd worden en moeten gedurende de gehele levensduur van de voorziening op hun plek blijven zitten en duidelijk leesbaar zijn. Vervang of herstel onleesbare of beschadigde stickers, aanduidingen en instructies onmiddellijk. Neem contact op met de importeur voor instructies.

Ouder/verzorgende

- Lees alle instructies en User Guide aandachtig door voor gebruik en bewaar deze als naslagwerk. Onjuist gebruik van deze voorziening kan leiden tot ernstig letsel aan het kind/de tiener
- Gebruik altijd de juiste tiltechnieken en tilhulpmiddelen
- Laat het kind/de tiener nooit zonder toezicht alleen in deze voorziening. Zorg voor permanent toezicht door een volwassene
- Reparaties/vervangingen mogen alleen worden gedaan met behulp van nieuwe originele R82-reserve-onderdelen en accessoires en volgens de richtlijnen en intervallen voorgeschreven door R82
- In geval van twijfel over het veilig kunnen gebruiken van uw voorziening of als er onderdelen niet juist functioneren, raden wij u aan om de voorziening niet langer te gebruiken en zo spoedig mogelijk contact op te nemen met uw dealer
- Let op dat er geen lichaamsdelen in de bewegende delen bekneld raken terwijl u die afstelt

Omgeving

- Controleer de temperatuur van het oppervlak van het product voordat u een gebruiker erin laat plaatsnemen. Dit geldt met name voor gebruikers met een gevoelloze huid, omdat zij geen warmte kunnen voelen. Laat het product voor gebruik afkoelen als het oppervlak warmer is dan 41 °C
- Gebruik deze voorziening op een vlakke ondergrond zonder obstakels. Wees bedacht op een verminderde manoeuvreerbaarheid op gladde wegen
- Bij gebruik op hellende ondergronden, verwijzen wij u naar de specificatie van de maatgegevens

Kind/tiener

- Als het kind/de tiener tegen het maximale gewicht aan zit en/of veel ongecontroleerde bewegingen maakt, dient u te overwegen om over te stappen op een grotere maat, met een hogere maximale belasting of te kiezen voor een andere voorziening

De voorziening

- Voer voor het eerste gebruik alle in/ verstellingen uit aan de voorziening en accessoires en zorg ervoor dat alle knoppen, schroeven en gespen goed vastzitten. Houd alle gereedschappen buiten bereik van kinderen
- Activeer (wanneer aanwezig) de remmen voordat het kind/de tiener in de voorziening wordt geplaatst
- Controleer of de voorziening stabiel staat alvorens het kind/de tiener in de voorziening te plaatsen
- Controleer of de wielen en banden in goede staat zijn, op druk zijn en goed vastzitten alvorens de voorziening te gebruiken
- Inspecteer de voorziening en alle accessoires regelmatig en vervang defecte/ versleten onderdelen voor gebruik
- Stel de gasveer niet bloot aan druk en hoge temperaturen. DO niet doorboren.
- Zorg dat de "zuigerstang" niet wordt blootgesteld aan krassen. Gebruik bij voorkeur een (zachte) doek en geen scherp gereedschap voor het bijstellen van de gasveer
- Dit product is getest op ontvlambaarheid in overeenstemming met EN 1021-1 en EN 1021-2
- Het product beantwoordt mogelijk niet langer aan de norm voor ontvlambaarheid indien andere dan de originele R82-kussens worden gebruikt.
- Deze voorziening mag niet gebruikt worden in een motorvoertuig. Het kind/de tiener dient plaats te nemen in een autostoel en de voorziening dient te worden opgeborgen in de bagageruimte
- Het kind/de tiener dient niet gebruikt te maken van de voorziening wanneer het in/ uit het voertuig wordt getild met behulp van een liftplatform

Onderhoudsinformatie

Het onderhoud van de voorziening is geheel en al de taak van de bezitter van het hulpmiddel. Als een hulpmiddel niet volgens de instructies wordt onderhouden, kan dat de garantie op het hulpmiddel ongeldig maken. Verder kan het niet-onderhouden van een hulpmiddel de klinische toestand of veiligheid van het kind en/of de begeleider in gevaar brengen.

Vóór 1e gebruik

- Lees vóór gebruik van de voorziening de User Guide goed door en bewaar deze op een veilige plek als naslagwerk
- Stop het meegeleverde gereedschap in het opbergtasje aan het frame

Dagelijks

- Gebruik een droge doek om de voorziening te reinigen
- Visuele inspectie: herstel of vervang beschadigde of versleten onderdelen
- Controleer of alle fixaties aanwezig zijn en correct zijn aangebracht
- Controleer alle fixaties en gespen op tekenen van slijtage van onderdelen
- Let op eventuele maximaaanduidingen voordat u een in/verstelling gaat verrichten

Wekelijks

- Controleer (wanneer aanwezig) of alle zwenkwielen vrij kunnen bewegen en of alle wielvergrendelingen en remmen makkelijk kunnen worden geactiveerd
- Veeg resten en vuil weg met een doek die is uitgewrongen in warm water met een mild reinigingsmiddel/milde zeep zonder chloor, en maak het product voor gebruik droog
- Controleer of de hoekverstelling en de veiligheidsvergrendeling goed én foutloos werken
- Desinfecteer het product. Raadpleeg de sectie "Desinfectie" in deze gebruikershandleiding voor meer informatie.

Maandelijks

- Alle moeren, bouten en knoppen van deze voorziening moeten worden gecontroleerd en aangedraaid om losraken te voorkomen
- Doe wat smeermiddel op de wegzwenkbare onderdelen. We raden aan een professioneel smeermiddel te gebruiken

Jaarlijks

- Inspecteer het frame op scheuren en werk de servicechecklist af. Gebruik nooit een voorziening welke gebreken vertoont. Raadpleeg de servicechecklist

Hulpmiddelen wasmachine

Dit product kan worden gewassen bij:

- 60 °C binnen 10 minuten
- 85 °C binnen 3 minuten

... met een mild reinigingsmiddel in een wasmachine ontworpen voor medische hulpmiddelen. Gebruik de droogfunctie van de machine om het product te drogen. Reinig de accessoires apart.

Voordat u reinigt

Verwijder de volgende onderdelen en reinig ze afzonderlijk:

- Accessoires
- Opvulling
- Spaakbescherming

Desinfectie

Het product kan worden gedesinfecteerd met een ontsmettingsmiddel met isopropylalcohol 70%. Het wordt aanbevolen om eventuele resten en vuil met een doek en warm water met een mild(e) wasmiddel/zeep zonder chloor van het product te verwijderen en het product te laten drogen voordat u gaat desinfecteren.

Service-interval

Elke 12 maanden dient de voorziening een gedetailleerde inspectie te ondergaan. (bij intensief gebruik elke 6 maanden) en elke keer wanneer de voorziening wordt herverstrekt. De inspectie moet worden uitgevoerd door een technisch bevoegd persoon, die is opgeleid in het onderhoud van de voorziening. Neem contact op met uw lokale dealer voor reparatie instructies.

De levensduur van deze voorziening bij normaal gebruik is 5 jaar, indien al het onderhoud wordt uitgevoerd in overeenstemming met instructies van de fabrikant en aantoonbaar zijn vastgelegd.

DANSK

Tillykke med dit nye produkt fra R82 som leverer tekniske hjælpemidler til handicappede børn og teenagere i hele verden. For at få fuldt udbytte af de muligheder produktet tilbyder, anbefaler vi, at du læser denne User Guide omhyggeligt før brug og gemmer den til fremtidig reference.

Formål

Rabbit er en mobil ståtøtte, som giver brugeren mulighed for selv at bevæge og orientere sig. Brugeren er i højde med kammeraterne og får et godt overblik. En stor gruppe af børn og unge f.eks. børn med CP; GMFCS niveau 2-5, kan anvende Rabbit. Rabbit er konstrueret til én bruger af gangen og leveret i 4 størrelser.

Medfølgende værktøj;

- 5 mm unbraconøgle
- 6 mm unbraconøgle

**Overensstemmelseserklæring**

Dette produkt opfylder kravene i direktivet 93/42/EØF, retningslinjer for medicinsk udstyr. CE-mærket skal fjernes ved ombygning af produktet, når det kombineres med et produkt fra en anden frabrikant eller ved anvendelse af andet end originale R82 reservedele og tilbehør. Dette produkt overholder endvidere kravene i henhold til:

- EN 12182

**Bortskaffelse**

Når et produkt når slutningen af sin livscyklus, bør det skilles ad, så de forskellige materialetyper kan genanvendes eller bortskaffes korrekt. Kontakt din lokale forhandler, hvis der er behov for en præcis beskrivelse af hvert materiale. Kontakt venligst de lokale myndigheder for mulighederne om miljøvenlig genanvendelse eller bortskaffelse i dit område.

Tilbehør og reservedele

Produkterne fra R82 kan forsynes med forskelligt tilbehør, som gør at produktet opfylder den enkelte brugers behov for støtte. Tilbehør og reservedele findes på vores hjemmeside, kontakt din lokale forhandler for yderligere information.

R82 Garanti

R82 yder 2 års garanti mod fejl i materialer og fejl opstået ved fremstillingen af produktet, samt 5 års garanti på stelbrud forårsaget af defekte svejsninger i metalstellet. Garantien vil være under forbehold af kundens ansvar for at overholde serviceeftersyn og vedligehold af produktet med de intervaller, som foreskrives af leverandøren og/eller angivet i User Guide. For yderligere information henvises der til support. R82.org

Garantien ydes kun i det land hvor produktet er blevet købt., og hvis produktet kan identificeres ved hjælp af serienummeret. Garantien dækker ikke hændelig skade, herunder skade forårsaget af fejlagtig anvendelse eller forsømmelse. Garantien omfatter ikke forbrugsvarer f.eks. dæk eller polstring, som er genstand for normal slitage, og som skal udskiftes regelmæssig.

Garantien dækker ikke, hvis der er anvendt andet end originale dele/tilbehør, eller hvis produktet ikke er vedligeholdt, repareret eller ændret i henhold til retningslinjer og intervaller angivet af leverandøren og/eller i User Guide. R82 forbeholder sig ret til at undersøge produktet, som er genstand for reklamation og den relevante dokumentation, før reklamationen accepteres under garanti, samt bestemme hvorvidt reklamationen skal føre til erstatning eller reparation af produktet. Det er kundens ansvar at returnere det reklamerede produkt under garanti til den adresse, hvor det er blevet købt.

Oplysninger om forsøg

- support.r82.org

Sikkerhed

Skilte, symboler og instruktioner placeret på dette produkt må aldrig blive dækket eller fjernet, og skal være læselige i hele produktets levetid. Ulæselige eller beskadigede tegn, symboler og instruktioner skal straks erstattes eller reparereres. Kontakt din lokale forhandler for vejledning.

Hjælper

- Denne User Guide bør læses omhyggeligt før brug og gemmes til fremtidig reference. Brugerens sikkerhed kan afhænge af, at anvisningerne i denne vejledning følges og at produktet anvendes korrekt
- Brug altid korrekt løfteteknik og hjælpemidler til formålet
- Efterlad aldrig brugeren i produktet uden opsyn. Sørg for konstant tilsyn fra en voksen
- Reparation/udskiftning må kun ske ved hjælp af nye originale R82 reservedele og tilbehør samt i overensstemmelse med leverandørens anvisninger
- Hvis der er tvivl om sikkerheden ved brug af dit R82 produkt, eller hvis dele skulle svigte, skal du omgående stoppe med at bruge produktet og kontakte din lokale forhandler
- Sørg for at bevægelige dele ikke klemmer eller indfanger kropsdele Når du justerer dem

Omgivelserne

- Check overfladetemperaturen på produktet, før du placerer en bruger i det. Dette gælder især for brugere med ufølsom hud, da de ikke kan mærke varmen. Hvis produktets overfladetemperaturen er over 41 ° C, så skal produktet køle af før brug
- Brug dette produkt på plane flader uden forhindringer. Vær opmærksom på reduceret manøvrerdygtighed på glatteoverflader.
- Tjek oplysningerne i målskemaet hvis produktet skal bruges på skrå veje

Bruger

- Hvis brugeren er tæt på maks. belastningen og/eller har mange ufrivillige bevægelser f.eks. rokkende, bør et produkt med større maks. belastning, eller et andet R82 produkt overvejes.

Produkt

- Efter enhver justering på produkt og tilbehør skal det sikres, at alle knapper, skruer og spænder er sikkerhedsmæssigt fastspændt før brug. Hold alle værktøjer utilgængelig for børn
- Bremsen skal aktiveres, før brugeren placeres
- Stabiliteten af produktet skal sikres, før brugeren placeres i det
- Sørg for at hjul og dæk er fuldt funktionelle og sikre før brug
- Undersøg produktet og alt tilbehør og udskift evt. slidte dele før brug
- Gasfjederen må ikke punkteres eller udsættes for høje temperaturer
- Stempelstangen må ikke skrammes. Det er vigtigt at bruge en klud eller lign. som beskyttelse, hvis der abruges værktøj til justering af gasfjederen
- Dette produkt er testet for resistens overfor antændelse på ikke-antændelig niveau i henhold til EN 1021-1 og 1021-2
- Produktet kan miste sine flammebestandige karakteristika med andet end originale R82 hynder
- Dette produkt må ikke anvendes i et motorkøretøj. Brugeren skal være placeret i et køretøjssæde og produktet skal opbevares i bagagerummet
- Brugeren må ikke opholde sig i produktet mens det, ved hjælp af en læssebagsmæk, bliver transporteret ind i eller ud af et motorkøretøj

Service information

Vedligeholdelse af medicinsk udstyr påhviler helt og holdent ejeren af det pågældende produkt. Undladelse af at vedligeholde et produkt i henhold til vejledningen kan medføre, at garantien bortfalder. Desuden kan undladelse påvirke den kliniske tilstand eller sikkerhed for brugeren og/eller plejeren.

1. dag

- Instruktionerne i denne User Guide bør læses omhyggeligt før brug og gemmes til fremtidig reference
- Opbevar det medfølgende værktøj på/ved produktet

Dagligt

- Brug en tør klud til at rengøre produktet
- Visuel inspektion. Reparer eller udskift beskadigede eller slidte dele
- Kontroller at alt udstyr er på plads og monteret korrekt
- Tjek alle seler, veste og spænder for tegn på slitage. Udskift hvis nødvendigt
- Vær opmærksom på evt. MAX-mærker før justering

Ugentligt

- Kontroller at alle hjul bevæger sig frit, og at alle låse/bremser let kan aktiveres
- Brug en klud med varmt vand og et mildt rengøringsmiddel til at aftørre snavs og skidt fra produktet. Tør efter med en tør klud
- Kontrollér at vinklingsmekanismen fungerer uden fejl og at sikkerhedslåsen fungerer korrekt
- Desinficere produktet. Se venligst afsnittet for desinfektion i denne brugervejledning for yderligere oplysninger

Månedligt

- For at undgå fejl skal alle møtrikker og bolte på dette produkt kontrolleres og efterspændes
- Alle svingbare dele skal tilføjes smøremiddel. Vi anbefaler at bruge et professionelt smøremiddel

Årligt

- Efterse stellet for synlige brud eller tegn på slitage. Brug aldrig et produkt, der viser tegn på fejl. Udfør årlig service

Vaskemaskine

Dette produkt kan vaskes på:

- 60 ° C i 10 minutter
- 85 ° C i 3 minutter

... med et mildt rengøringsmiddel i en vaskemaskine beregnet til medicinsk udstyr. Brug maskinens tørringsfunktion til at tørre produktet. Rengør tilbehør separat.

Før vask

Fjern de følgende dele og rengør dem separat:

- Tilbehør
- Hynde(r)
- Egerbeskyttere

Desinfektion

Produktet kan desinficeres med en desinficerende 70 % IPA-opløsning. Det anbefales at aftørre produktet og fjerne eventuelle rester og snavs med en klud med varmt vand og et mildt rengøringsmiddel/sæbe uden klorin, og lad det tørre før desinficering.

Service interval

En detaljeret inspektion af produktet skal ske hver 12. måned (hver 6. måned for tunge brugere), samt hver gang produktet overdrages til en ny bruger. Inspektionen skal udføres af en teknisk kompetent person, der er uddannet i brugen af produktet.

Levetiden for dette produkt er 5 år ved normal brug og hvis al vedligeholdelse og service udføres i overensstemmelse med producentens anvisninger samt påviseligt registreres.

NORSK

Gratulerer med kjøpet av ditt nye produkt fra R82, som leverer tekniske hjelpemidler til bevegelseshemmede barn og unge i store deler av verden. For å få fullt utbytte av mulighetene som tilbys av dette produktet, anbefaler vi at du leser denne User Guide før bruk og oppbevarer den for fremtidig referanse.

Tiltentk bruk

Rabbit er en mobil ståstøtte, som gir brukeren mulighet til å bevege og orientere seg. Brukeren kommer i høyde med kameratene og får et godt overblikk. En stor gruppe barn og unge f.eks. barn med CP, GMFCS nivå 2-5, kan bruke Rabbit. Rabbit er konstruert til én bruker ad gangen og blir levert i 4 størrelser..

Medfølgende verktøy;

- 5 mm unbraconøkkel
- 6 mm unbraconøkkel



Samsvarserklæring

Dette produktet er CE-merket iht Europarådets medisinske direktiv 93/42/EEC om medisinsk utstyr. CE-merket må fjernes ved ombygging av produktet, når det kombineres med et produkt fra en annen frabrikant eller ved bruk av annet enn originale R82 reservedeler og tilbehør. Produktet er i overensstemmelse med kravene iht:

- EN 12182



Resirkuleringsinformasjon

Når et produkt skal kasseres, bør materialene inndeles etter type, slik at delene kan resirkuleres eller avhendes på en forskriftsmessig måte. Hvis nødvendig, ta kontakt med din lokale forhandler for en presis beskrivelse av hvert materiale. Ta kontakt med lokale myndigheter vedrørende muligheter for resirkulering, eller en annen miljøvennlig måte å avhende et brukt produkt på.

Tilbehør og reservedeler

Produkter fra R82 kan leveres med en rekke tilbehør som tilfredsstiller den enkelte brukers behov. Reservedeler er tilgjengelige, og bestilles på kundens forespørsel. Finn det spesifikke tilbehør på vår hjemmeside, eller kontakt din lokale forhandler for ytterligere informasjon.

R82 Garanti

R82 gir en 2 års garanti mot feil i utførelse og materialer og en 5 års garanti mot brudd i metallrammen som skyldes feil i sveisearbeidet. Garantien kan påvirkes negativt hvis kundens ansvar for å utføre service og/eller daglig vedlikehold ikke blir overholdt i samsvar med de retningslinjene og intervallene som er foreskrevet av leverandøren og/eller slik det framgår av User Guide. For ytterligere informasjon henviser vi til hjemmesiden for R82 under nedlastinger.

Garantien er bare gyldig i landet der produktet ble kjøpt, og hvis produktet kan identifiseres med serienummeret. Garantien dekker ikke tilfeldig skade, inkludert skade forårsaket ved feil bruk eller forsømmelse. Garantien omfatter ikke slitedeler f.eks. dekk eller polstring, som er utsatt for normal slitasje, og som skal –skiftes regelmessig.

Garantien anses som ugyldig hvis andre enn originale deler/tilbehør er brukt, eller hvis produktet ikke har vært vedlikeholdt, reparert eller endret i samsvar med retningslinjene og intervallene som er foreskrevet av leverandøren og/eller oppgitt i User Guide. R82 forbeholder seg retten til å inspisere det produkt som det er kommet klage på, samt relevant dokumentasjon, før garantikravet aksepteres, og for å avgjøre om det defekte produktet kan bli erstattet eller reparert. Det er kundens ansvar å returnere varen som skal repareres i garantitiden til adressen hvor det er kjøpt.

Informasjon før salg

- Support.r82.org

Sikkerhet

Merker, symboler og instruksjoner som er plassert på dette produktet skal aldri tildekkes eller fjernes, og må være til stede og lett leselige i hele produktets levetid. Uleselige eller skadede merker, symboler og instruksjoner skal erstattes eller repareres umiddelbart. Kontakt din lokale forhandler for å få instruksjoner.

Omsorgsperson

- Les bruksanvisningen nøye før bruk, og oppbevar den for fremtidig referanse. Feil bruk av dette produktet kan forårsake alvorlig skade på brukeren
- Bruk alltid riktig løfteteknikk og hjelpemidler for formålet
- Forlat aldri brukeren uten tilsyn i dette produktet. Påse at brukeren har permanent tilsyn av en voksen
- Reaparasjon/utskifting må kun foretas ved hjelp av nye originale R82 reservedeler og beslag og utføres i samsvar med retningslinjene og serviceintervallene som er foreskrevet av leverandøren
- Hvis du er i tvil til om at produktet er trygt å bruke, eller om noen av delene skulle svikte, skal bruk av produktet opphøre umiddelbart. Kontakt din lokale forhandler så snart som mulig
- Pass på at bevegelige deler ikke klemmer eller klyper kroppsdeler når de justeres

Miljø

- Kontroller overflatetemperaturen på produktet før brukeren plasseres i det. Dette gjelder spesielt brukere med ufølsom hud, fordi de ikke kan føle varmen. Hvis overflatetemperaturen er høyere enn 41 °C, må produktet kjøles ned før bruk
- Bruk dette produktet på jevnt underlag uten hindringer. Vær oppmerksom på redusert manøvringssevne på glatt underlag
- Når brukt på hellende underlag, se målskjema

Bruker

- Dersom brukerens vekt er nær anbefalt maks-vekt, og/ eller har mange ukontrollerte bevegelser som f.eks. rokking, bør et produkt i en større størrelse med høyere maks-vekt, eller et annet R82 produkt, vurderes

Produkt

- Utfør alle posisjonelle justeringer på produkt og tilbehør, og sørg for at alle knotter, skruer og spenner er godt festet før bruk. Oppbevar alt verktøy utilgjengelig for barn
- Aktiver bremsene før brukeren plasseres i produktet
- Påse at stabiliteten av produktet opprettholdes før du plasserer brukeren i det
- Påse at felger og dekk fungerer og er i orden før bruk
- Kontrollerer produkt og alt tilbehør, og erstatt eventuelle utslitte deler før bruk
- Ikke utsett gassfjæren for trykk eller høye temperaturer. MÅ IKKE perforeres. (gjennomhulles)
- Stempelstangen må ikke skades. Det er viktig å bruke en klut eller lignende som beskyttelse, når det brukes verktøy ved justering av gassfjæren
- Produktet er testet for antenningelighet iht. EN 1021-1 og EN 1021-2, og er klassifisert som ikke-antennelig
- Produktet kan imidlertid miste flammemotstanden hvis det brukes andre puter enn de originale R82-putene
- Dette produktet skal ikke brukes i kjøretøy. Brukeren skal være plassert i et bilsete, og produkt skal være stuert i bagasjerommet
- Brukeren skal ikke sitte i produktet mens det blir flyttet inn i eller ut av et kjøretøy på en løfterampe.

Serviceinformasjon

Vedlikehold av medisinsk utstyr er eierens ansvar. Hvis det er mangelfullt vedlikehold av produktet i henhold til bruksanvisningen, kan dette ugyldiggjøre garantier knyttet til produktet. Ytterligere unnlattelse av vedlikeholdet kan påvirke den kliniske tilstanden eller sikkerheten for brukere og / eller deres omsorgspersoner.

1. dag

- Les bruksanvisningen nøye før bruk og oppbevar den på et trygt sted for fremtidig referanse
- Oppbevar det vedlagte verktøyet i posen på rammen

Daglig

- Bruk en tørr klut til å rengjøre produktet
- Visuell inspeksjon. Reparer eller bytt skadede eller slitte deler
- Pass på at alt utstyr er på plass og korrekt montert
- Kontroller alt utstyr og spenner for tegn på utslitte deler
- Vær oppmerksom på eventuelle MAX merker før justering

Ukentlig

- Sjekk at alle hjulene beveger seg fritt og at alle hjul- låser / bremses lett kan aktiveres
- Tørk av rester og smuss på produktet med en klut som er vridd opp i varmt vann og mildt vaskemiddel/såpe uten klor, og tørk produktet før bruk
- Kontroller at vinkelmekanismen og sikkerhetslåsen fungerer
- Desinfiser produktet. Du finner mer informasjon i delen om desinfeksjon i denne brukerveiledningen.

Månedlig

- Alle muttere og bolter på dette produktet må kontrolleres og strammes for å unngå unødvendige feil
- De utsvingbare delene skal oljes. Vi anbefaler å bruke et profesjonelt smøremiddel

Årlig

- Kontroller rammen for synlige brudd eller tegn på slitasje. Bruk aldri et produkt som viser tegn på feil. Gjennomfør årlig service

Rengjøring

Dette produktet kan vaskes på:

- 60 °C i 10 minutter
- 85 °C i 3 minutter

... med et mildt vaskemiddel i en vaskemaskin for medisinsk utstyr. Bruk maskinens tørkefunksjon til å tørke produktet. Rengjør tilbehøret separat.

Før vasking

Fjern følgende deler og rengjør dem separat:

- Tilbehør
- Beskyttelsesputer
- Eikebeskyttere

Desinfeksjon

Produktet kan desinfiseres med en 70 % desinfiserende IPA-løsning. Det anbefales å tørke av rester og smuss på produktet med en klut med varmt vann og mildt vaskemiddel/såpe uten klor, og la produktet tørke før bruk

Service-intervall

En grundig kontroll av produktet skal gjøres hver 12 måned (for tunge brukere: hver 6 måneder) og hver gang produktet tas i bruk på nytt. Kontrollen skal gjennomføres av en teknisk kompetent person som har fått opplæring i bruk av produktet. Kontakt din lokale leverandør for instruksjon om reparasjoner.

Produktets levetid ved normal bruk er 5 år, hvis alt vedlikehold og service utføres i henhold til produsentens anvisninger, og kan dokumenteres.

SVENSKA

Grattis till ditt köp av en ny produkt från R82, en global leverantör av hjälpmedel för funktionsnedsatta barn och ungdomar. För att till fullo kunna dra nytta av alla funktioner som den här produkten har att erbjuda rekommenderar vi att du läser den här User Guide innan du börjar att använda produkten, och att du sparar den för att kunna återkomma till den senare.

Avsett ändamål

Rabbit är ett mobilt ståstöd som ger brukaren möjlighet att flytta runt och röra sig. Brukaren står i samma nivå som sina vänner och får bra överblick. Många barn och ungdomar med exempelvis CP, GMFCS nivå 2-5, kan använda Rabbit. Rabbit är avsedd för en brukare åt gången och finns i 4 storlekar.

Medföljande verktyg:

- 5 mm insexnyckel
- 6 mm insexnyckel



Deklaration om överensstämmelse

Den här produkten överensstämmer med kraven i direktivet 93/42/EEG, för medicintekniska produkter. CE-märkningen bortfaller om produkten byggs om, när den kombineras med en produkt från en annan tillverkare eller vid användning av andra än originaldelar från R82. Enna produkt överensstämmer även med kraven enligt:

- EN 12182



Information om återvinning

En uttjänt produkt ska plockas isär och sorteras efter materialslag så att delarna kan återvinnas eller kasseras på rätt sätt. Du kan kontakta din lokala återförsäljare för en exakt beskrivning av varje material. Vänligen kontakta dina lokala myndigheter för information om möjligheterna för återvinning eller ett miljövänligt sätt att kasta använd produkt.

Tillbehör och reservdelar

Det finns flera olika tillbehör till produkten från R82. Tillbehören är anpassade för varje brukares behov. Reservdelar kan fås på begäran. De specifika tillbehören finns på vår webbplats och du kan kontakta din lokala återförsäljare för ytterligare information.

R82-garanti

R82 lämnar en 2-årsgaranti med avseende på brister som orsakats av tillverkningsfel eller bristfälligt material och en 5-årsgaranti när det gäller brott på metallramen orsakade av bristfälliga svetsfogar. Det kan ha en negativ inverkan på garantin om kunden underlåter att utföra erforderlig service och/eller dagligt underhåll i enlighet med riktlinjerna och föreskrivna intervall som anges av leverantören och/eller i User Guide. För mer information – se R82:s webbplats/nedladdning.

Garantin gäller endast i det land där produkten har köpts, och om produkten kan identifieras med ett serienummer. Garantin täcker inte skada genom olyckshändelse, inklusive skada orsakad av felaktig användning eller försummelse. Garantin omfattar inte förbrukningsartiklar, t.ex däck eller klädsel, som utsätts för normalt slitage och behöver bytas ut regelbundet.

Garantin blir ogiltig om andra delar än originaldelar används, eller om produkten inte har underhållits, reparerats eller ändrats i enlighet med riktlinjerna i våra instruktioner och enligt de intervaller som rekommenderas av leverantören och/eller anges i vår User Guide. R82 förbehåller sig rätten att granska både den produkt som garantianspråket gäller och relevant dokumentation innan garantianspråket godkänns, samt att avgöra om den defekta produkten ska repareras eller bytas ut. Kunden ansvarar för att returnera den produkt som garantianspråket avser till inköpsstället.

Information om förhandsförsäljning

- Support.r82.org

Säkerhet

Skyltar/etiketter, symboler och instruktioner på produkten får aldrig täckas över eller tas bort, utan måste förbli synliga och möjliga att läsa under hela produktens livslängd. Byt ut eller lappa ihop oläsliga eller skadade skyltar/etiketter, symboler och instruktioner omgående. Kontakta din lokala återförsäljare för instruktioner.

Vårdare

- Läs igenom User Guide noggrant före användning och behåll dem för framtida behov. Om produkten används felaktigt kan brukaren skadas allvarligt
- Använd alltid korrekt lyftteknik och hjälpmedel som är lämpliga för ändamålet
- Lämna aldrig brukaren i produkten utan uppsikt. Se till att en vuxen har ständig uppsikt
- Vid reparation/byte av delar får endast nya originaldelar och originaltillbehör från R82 användas, och arbetet måste utföras i enlighet med de riktlinjer och intervall som föreskrivs av leverantören
- Avbryt användningen av produkten och kontakta din lokala återförsäljare så fort som möjligt om något inträffar som gör att din produkt från R82 inte känns säker eller om några delar går sönder
- Se till att inga kroppsdelar kläms eller fastnar i de rörliga delarna när de justeras

Miljö

- Kontrollera hur varm produkten är på ytan innan brukaren placeras i den. Detta är särskilt viktigt för brukare med okänslig hud eftersom de inte känner värmen. Låt produkten svalna innan den används om ytan är varmare än 41 °C.
- Använd produkten på ett plant underlag som är fritt från hinder. Var uppmärksam på att manövreringen kan försämrats vid halt underlag
- Se mått vid användning på sluttande vägar

Brukare

- Om brukarens vikt ligger nära produktens maxvärden och/eller om brukaren gör många ofrivilliga rörelser, t.ex. gungar, kan det vara lämpligt att i stället välja en större storlek, som klarar av högre belastning, eller en annan produkt från R82

Produkt

- Gör alla lägesinställningar för produkten och tillbehören och kontrollera att alla vred, skruvar och spännen sitter fast ordentligt före användning. Förvara alla verktyg utom räckhåll för barn
- Aktivera bromsarna innan brukaren placeras i produkten
- Kontrollera produktens stabilitet innan du placerar brukaren i den
- Kontrollera att hjulen och däcken fungerar och är säkra innan användning
- Kontrollera produkten och alla tillbehör och byt ut alla utslitna delar innan användning
- Utsätt inte gasfjäders för tryck eller höga temperaturer. Punktera EJ. Se till att pistonstången inte repas
- Det är viktigt att använda en trasa eller liknande om verktyg används vid justering av gasfjäders
- EN 1021-1 och EN 1021-2 Produkten har provats gällande antändlighet och är icke-antändlig enligt
- Produkten kan förlora sina flamhämmande egenskaper om den används med stoppning som inte kommer från R82
- Produkten ska inte användas inuti fordon. Brukaren måste sitta i ett bilsäte och produkten ska förvaras i bagageutrymmet
- Brukaren får inte befinna sig i produkten när den transporteras in i eller ut ur ett fordon med hjälp av en baggavellyft.

Serviceinformation

Underhållet av en medicinteknisk produkt är helt ägarens ansvar. Om instruktionerna gällande underhåll inte följs kan detta göra att garantin upphör att gälla. Dessutom kan underlåtenhet att underhålla produkten äventyra det kliniska tillståndet eller säkerheten för brukare och/eller vårdare.

Första dagen

- Läs igenom bruksanvisningen noggrant före användning och behåll den för framtida behov
- Förvara de bifogade verktygen i fickan på ramen

Dagligen

- Använd en torr trasa för att rengöra produkten
- Visuell inspektion. Reparera eller byt ut eventuella skadade eller utslitna delar
- Se till att alla fästen sitter där de ska och har monterats på rätt sätt
- Kontrollera att inga fästen och spännen är utslitna
- Observera eventuella MAX-markeringar innan justering

Varje vecka

- Kontrollera att alla hjulen rör sig fritt och att alla hjullås/-bromsar lätt slås till
- Använd en trasa som doppats i varmt vatten med mildt rengöringsmedel/tvål utan blekmedel och som vridits ur för att torka bort skräp och smuts. Torka torrt före användning.
- Kontrollera att vinkelmekanismen och säkerhetslåset fungerar korrekt
- Desinfektera produkten; mer information finns i avsnittet om desinfektion i denna bruksanvisning

Varje månad

- Alla muttrar och bultar på denna produkt måste kontrolleras och dras åt för att undvika onödiga fel
- Olja de svängbara delarna. Vi rekommenderar att du använder ett professionellt system för smörjning

Årligen

- Kontrollera att ramen inte har några sprickor och utför punkterna på checklistan för service. Använd aldrig en produkt där något fel misstänks. Vänligen se checklistan för service

Rengöring

Denna produkt kan tvättas i:

- 60 °C i 10 minuter
- 85 °C i 3 minuter

... med ett mildt tvättmedel i en tvättmaskin avsedd för medicintekniska produkter. Använd maskinens torkningsfunktion för att torka produkten. Rengör tillbehör separat.

Före tvätt

Ta bort följande delar och rengör dem separat:

- Tillbehör
- Stoppning
- Ekerskydd

Desinfektion

Produkten kan desinficeras med en 70 % isopropanollösning. Vi rekommenderar att man använder en trasa som doppats i varmt vatten med mildt rengöringsmedel/tvål utan blekmedel för att torka bort skräp och smuts. Låt torka före desinficering.

Serviceintervall

En utförlig kontroll av produkten måste göras en gång om året (en gång i halvåret vid mer frekvent användning) och varje gång som produkten tas i bruk efter uppehåll. Klädseln är avtagbar och kan tvättas i 60° (R82 rekommenderar att klädseln tvättas i 40°). Kontrollen bör utföras av en tekniskt kunnig person som har utbildats i hur produkten används. Kontakta din hjälpmedelscentral för instruktioner om reparationer t ex arbete med punktering.

Livslängden för produkten vid normal användning är fem år om allt underhåll och all service registreras och utförs enligt tillverkarens anvisningar.

SUOMI

Onnittelut uuden R82 tuotteen hankinnasta -maailmanlaajuiselta lasten ja nuorten teknisten apuvälineiden toimittajalta. Tämän käyttöohjeen tarkoituksena on auttaa käyttäjää apuvälineen oikeassa käytössä. Luekaa tämä User Guide ennen käyttöä ja pitäkää se tallessa tulevaa käyttöä varten.

Käyttötarkoituksella

Rabbit on kelattava seisomataline, joka mahdollistaa itsenäisen liikkumisen ja tutustumisen ympäristöön. Seisova asento rohkaisee lasta omatoimisuuteen, stimuloiden aisteja ja antaen lapselle enemmän itsenäisyyttä. Rabbit soveltuu erilaisille käyttäjille esim. lapsille joilla on CP, GMFCS tasot 2-5.

Mukana toimitettavat työkalut;

- 5 mm:n kuusiokoloavain
- 6 mm:n kuusiokoloavain



CE-todistus

Tämä tuote täyttää 93/42/EEC lääkitäiläitedirektiivin vaatimukset. CE-merkintä on poistettava jos tuotteeseen tehdään rakenteellisia muutoksia, tai käytetään yhdistellen toisen valmistajan tuotteita tai yksilöllisesti valm-istettuja tuotteita, tai kun käytetään muita kuin alkuperäisiä R82-varaosia. Lisäksi tämä tuote täyttää seuraavat normit:

- EN 12182



Kierrätys

Tuotteen saavutettua lopullisen käyttöiän, materiaali-osat tulee erotella erikseen kierrätystä tai hävitystä varten. Tarvittaessa ota yhteyttä paikalliseen myyjään varmistaaksesi oikean materiaalin. Ota yhteyttä lähimpään ympäristöpisteeseen, varmistaaksesi materiaalin oikean jätemääräysten mukaisen kierrätyksen.

Lisävarusteet ja varaosat

R82 tuotteet voidaan toimittaa erilaisilla lisävarusteilla, vastaten käyttäjän yksilölliseen tarpeeseen. Varaosat ovat saatavilla tilauksesta. Erikoisvarusteet löytyvät nettisivustoltamme tai lisätietoja saa paikalliselta edustajalta.

R82-takuu

R82 tarjoaa 2 vuoden takuun työn laadun ja materiaalivirheiden osalta ja 5 vuoden takuun hitsausliitosvikojen aiheuttamien metallirungon murtumien osalta. Takuu vaarantuu, mikäli asiakkaan vastuuta huoltamisesta ja/tai päivittäisestä kunnossapidosta ei kanneta toimittajan määräämien ja/tai User Guide esitettyjen ohjeiden ja määräaikaisten mukaisesti. Lisätietojen osalta viittaamme R82:n kotisivuihin/latauksiin.

Takuu on voimassa vain tuotteen ostomaassa, jota varten se on valmistettu ja tuote voidaan tunnistaa sarjanumeron avulla. Takuu ei kata vahinkovaurioita, eikä väärinkäytön tai huolimattomuuden aiheuttamia vaurioita. Takuu ei kata kuluvia osia esim. renkaita tai verhoilua, jotka ovat alttiina normaalille kulumiselle ja jotka on ajoittain vaihdettava uusiin.

Takuu raukeaa, jos käytetään muita kuin alkuperäisiä varaosia tai tarvikkeita, jos tuotetta ei ole pidetty kunnossa tai korjattu oikein tai jos tuotteeseen on tehty muita kuin valmistajan hyväksymä tai käyttöohjeessa kuvattuja muutoksia (User Guide). R82 varaa oikeuden tarkastaa takuuvaatimuksen kohteena oleva tuote ja asiaankuuluva dokumentaatio ennen takuuvaatimukseen suostumista ja tehdä päätös siitä, vaihdetaanko viallinen tuote uuteen vai korjataanko se. Takuuvaatimuksen kohteena olevan tuotteen palauttaminen ostopaikan osoitteeseen on asiakkaan vastuulla.

Ennakkomyyntitietoja

- Support.r82.org

Turvallisuus

Tuotteen merkkejä, symboleja ja ohjeita ei saa peittää tai siirtää, ja ne tulee olla selkeästi esillä ja luettavissa koko tuotteen käyttöajan ajan. Vaihda tai korjaa välittömästi epäselvät tai vahingoittuneet merkit, symbolit ja ohjeet. Ota yhteyttä paikalliseen edustajaan.

Vårdare

- Lukekaa kaikki ohjeet ennen käyttöä ja pitäkää ne tallessa tulevaa käyttöä varten. Tuotteen väärinlainen käyttö voi aiheuttaa käyttäjälle vakavan vamman
- Käytä aina tarkoitukseen sopivaa nostotekniikkaa ja apuvälinettä
- Lämna aldrig brukaren i produkten utan uppsikt. Se till att en vuxen har ständig uppsikt
- Korjauksissa/vaihoissa saa käyttää ainoastaan R82 alkuperäisiä varaosia, ja säätäminen ja välien asetukset saadaan tehdä ainoastaan toimittajan ohjeistuksen mukaisesti
- Mikäli R82 tuotteessa on ongelma tai mikä tahansa osa on rikkiöntunut, lopettakaa tuotteen käyttö heti ja ottakaa välittömästi yhteyttä paikalliseen edustajaan
- Varmista, etteivät liikkuvat osat säädetäessä purista mitään kehon osia tai estä niiden liikuttamista

Ympäristö

- Tarkasta tuotteen pinnan lämpötila ennen käyttäjän asettamista siihen. Tämä koskee erityisesti käyttäjiä, joiden ihossa ei ole tuntoa, koska he eivät tunne kuumuutta. Jos pinnan lämpötila on yli 41 °C, anna tuotteen jäähtyä ennen käyttöä.
- Turvallisuuden ja mukavuuden vuoksi siirrä tuote pois auringosta ja viilennä tuote ennen käyttöä
- Käytä tuotetta esteettömällä alustalla. Tiedosta että liukkaat tiet heikentävät ohjattavuutta

Käyttäjä

- Jos käyttäjä on lähellä maksimiarvoja ja/ tai hänellä on runsaasti hallitsemattomia liikkeitä esim.huojumista, tulee harkita suurempaa kokoa R82 tuotteesta

Tuote

- Tarkista ennen käyttöä, että kaikki kiinnitykset ja säädöt sekä osat ovat oikein ja paikoillaan. Pidä kaikki työkalut lasten ulottumattomissa
- Laita jarrut päälle ennen kuin sijoitat lapsen apuvälineeseen
- Varmista tuotteen vakaus ennen kuin sijoitat lapsen apuvälineeseen
- Varmista pyörien ja renkaiden toiminnallisuus ja turvallisuus ennen käyttöä
- Tarkasta tuote ja kaikki osat, vaihda kuluneet osat ennen käyttöä
- Älä naarmuta mäntää; on tärkeätä käyttää liinaa tai vastaavaa, mikäli kaasujousen säätämiseen käytetään työkaluja
- Älä expose Kaasujousta paineelle tai korkeille lämpötiloille. Älä riko.
- Tämän tuotteen syttymättömyys on testattu syttymättömällä tasolla EN-1021-1- ja EN 1021-2 määräysten mukaisesti
- Tämä tuote voi menettää tulenkestävyyssominaisuutensa, jos sitä käytetään yhdessä muiden kuin alkuperäisten R82-pehmusteiden kanssa
- Tämä tuote ei ole tarkoitettu moottoriajoneuvoksi. Käyttäjä sijoitetaan autonistuimeen ja tuote pakataan auton tavaratilaan
- Tuotetta ei saa käyttää silloin kun sitä lastataan autoon tai autosta pois.

Huoltotietoja

Tämän lääkintälaitteen kunnossapitovastuu on laitteen omistajalla. Laitteen ohjeistuksen mukaisen kunnossapidon laiminlyönti voi aiheuttaa takuun mitätöinnin. Lisäksi kunnossapidon laiminlyönti voi vaarantaa laitteen tai käyttäjän ja/tai huoltajan turvallisuutta.

1.päivänä

- Lue käyttöohjeet huolellisesti ennen käyttöä ja säilytä ohjeet tulevaa käyttöä varten
- Varastoi oheiset työkalut laitteeseen

Päivittäin

- Puhdistus kuivalla puhtaalla liinalla
- Visuaalinen tarkastus. Korjaa/vaihda vaurioituneet tai kuluneet osat
- Huolehdi, että kaikki kiinnikkeet ovat paikoillaan ja kunnolla kiinni
- Tarkista kaikki säädöt ja soljet, ettei ole kulumisen merkkejä
- Tiedosta maksimimerkinät ennen hienosäätöä

Viikoittain

- Tarkista, että kaikki pyörät liikkuvat vapaasti ja kaikki pyörän lukitukset/jarrut toimivat helposti
- Pyyhi tuotteesta kaikki jäämät ja liat lämpimässä vedessä ja kloorittomassa miedossa pesuaineessa/saippuassa kostutetulla liinalla ja kuivaa ennen käyttöä
- Tarkista, että kulmansäätömekanismi toimii moitteettomasti ja että turvalukitus toimii asianmukaisesti
- Desinfioi tuote. Katso lisätietoja tämän käyttöohjeen desinfiointia käsittelevästä luvusta.

Kuukausittain

- Kaikki ruuvit ja pultit tulee tarkistaa ja kiristää, jotta vältetään tarpeettomat vahingot
- Öljyä liikkuvat osat. Suosittelemme käyttämään ammattikäyttöön tarkoitettua voiteluöljyä

Vuosittain

- Tarkasta rungon kunto halkeamien tai kuluneiden osien osalta ja huolehdi vuosihuollosta. Älä koskaan käytä viallista tuotetta

Tuotteen konepesu

Tämä tuote voidaan pestä:

- 60 °C:n lämpötilassa 10 minuutin ajan
- 85 °C:n lämpötilassa 3 minuutin ajan

... mietoa pesuainetta käyttäen lääkinällisille laitteille tarkoitetussa pesukoneessa. Käytä tuotteen kuivaamiseen koneen kuivaustoimintoa. Puhdista lisävarusteet erikseen.

Ennen pesua

Irrota seuraavat osat ja puhdista ne erikseen:

- Lisävarusteet
- Pehmusteet
- Pinnasuojat

Desinfiointi

Tuote voidaan desinfioida 70-prosenttisella IPA-desinfiointineesteellä. Suositeltavaa on pyyhkiä tuotteesta kaikki jäämät ja liat lämpimässä vedessä ja kloorittomassa miedossa pesuaineessa/saippuassa kostutetulla liinalla ja antaa tuotteen kuivua ennen desinfiointia.

Huoltoväli

Tuotteen yksityiskohtainen tarkastus on tehtävä joka 12 kuukausi (kovassa käytössä oleva tuotejoka 6 kuukausi) ja joka kerta kun tuote on otettu uudelleenkäyttöön. Tarkastuksen tulee tehdä valtuutettu huoltohenkilö. Ota yhteys paikalliseen jälleenmyyjään saadaksesi korjausohjeita.

Tämän tuotteen kestoikä on 5 vuotta normaalikäytössä, jos kaikki kunnossapito- ja huoltotoimet on tehty toimittajan ohjeiden ja ohjeistuksen mukaisesti.

ESPAÑOL

Agradecemos que haya elegido un nuevo producto de R82 – un proveedor mundial en ayudas y aparatos técnicos para niños y jóvenes con necesidades especiales. Para sacar el máximo partido de todas las opciones que ofrece este producto, lea este User Guide antes de usarlo y guárdelo para futuras referencias.

Finalidad prevista

Rabbit es un bipedestador autopropulsable que permite a los usuarios moverse y orientarse por ellos mismos. La posición erguida permite al niño convertirse en un participante activo, estimulando así sus sentidos y ofreciéndole mayor independencia. Rabbit es adecuado para muchos tipos de usuario como niños con PC con niveles de GMFCS de 2 a 5. Rabbit se presenta en 4 tamaños.

Herramientas incluidas;

- Llaves allen de 5 mm
- Llaves allen de 6 mm



Declaración de Conformidad

Este producto cumple con los requisitos de las directrices 93/42/CEE del Reglamento de Dispositivos Médicos. La distinción CE deberá ser retirada en caso de modificarse el producto cuando se utiliza en combinación con producto de otro fabricante o cuando se utilizan piezas de repuesto y accesorios distintos a los originales de R82. Además, este producto cumple con las normativas:

- EN 12182



Desecho y reciclaje

Cuando este producto llegue al término de su vida útil, deben de separarse las partes del mismo según el tipo de material para poder ser reciclados o desechados correctamente. Si es necesario, póngase en contacto con su distribuidor local para obtener una descripción exacta de cada material. Para obtener información acerca de cómo reciclar su producto de manera respetuosa con el medio ambiente, por favor, contacte con las autoridades locales.

Accesorios y recambios

Los productos de R82 pueden ser suministrados con una variedad de accesorios que se ajusten a las necesidades individuales de cada usuario. Las piezas de repuesto se pueden pedir por encargo. Puede encontrar accesorios específicos en nuestra página web o contactar con su distribuidor local para más información.

Garantía R82

R82 ofrece una garantía de 2 años contra los defectos de fabricación y de los materiales y una garantía de cinco años en caso de rotura del bastidor metálico por causa de defectos en la soldadura. La garantía no será válida si el cliente no cumple con la responsabilidad de llevar a cabo los servicios de reparación y/o mantenimiento diario de acuerdo con las directrices y los intervalos prescritos por el proveedor y/o tal y como se indica en el User Guide. Encontrará más información para descargar en la página de inicio de R82.

La garantía solo se concede en el país donde se adquirió el producto, y si el producto puede ser identificado por el número de serie. La garantía no cubre los daños accidentales, incluyendo los daños ocasionados por el mal uso o negligencia. La garantía no se extiende en los artículos de consumo como los neumáticos o la tapicería, que están sujetos a un desgaste normal y necesitan ser reemplazados periódicamente.

La garantía perderá su validez y quedará anulada si emplean piezas/accesorios no originales de R82 o si el producto no se mantiene, repara o modifica del modo indicado en las instrucciones y con la frecuencia indicada por el proveedor y/o en la User Guide. R82 se reserva el derecho de inspeccionar el producto reclamado y de la documentación pertinente antes de aceptar la reclamación de la garantía, para decidir sobre si es necesario reparar el producto defectuoso. Es responsabilidad del cliente retornar el artículo por el que se reclama la garantía a la dirección de la compra.

Información preventiva

- Support.r82.org

Seguridad

Los signos, símbolos e instrucciones colocados en este producto no deben ser cubiertos o retirados y deben permanecer presentes y fácilmente legibles a lo largo de toda la vida útil del producto. Reemplace o repare de inmediato los signos ilegibles o dañados, los símbolos y las instrucciones. Póngase en contacto con su distribuidor local para obtener instrucciones.

Cuidador

- Lea atentamente todas las instrucciones e User guide antes de usar el producto y consérvelas para futuras referencias. El uso incorrecto de este producto puede causar lesiones graves al usuario
- Use siempre las técnicas correctas de levantamiento y las ayudas para este fin
- Nunca desatienda al usuario de este producto. Garantice la permanente supervisión de un adulto
- Las reparaciones y los recambios sólo deben hacerse con piezas nuevas y originales de repuesto y accesorios de R82 y de acuerdo con las directrices y los intervalos de mantenimiento prescritos por el proveedor
- Si tiene alguna duda sobre la continuación del uso seguro del producto de R82 o si alguna pieza falla, deje de usar el producto de inmediato y contacte con su distribuidor local tan pronto como sea posible
- Asegúrese de que las piezas móviles no puedan apretar o aprisionar ninguna parte del cuerpo durante su ajuste.

Medio ambiente

- Observe la temperatura de la superficie del producto antes de colocar a un usuario en él. Este factor se debe tener especialmente en cuenta para usuarios con insensibilidad cutánea, dado que no pueden sentir el calor. Si la temperatura de la superficie es superior a 41 °C, deje que el producto se enfríe antes de utilizarlo.
- Use este producto en una superficie llana y libre de obstáculos. Esté atento a reducir la maniobrabilidad cuando se encuentre en superficies resbaladizas
- Cuando use este producto en las pendientes, por favor, consulte la tabla de medidas

Usuario

- Si el usuario está cerca del límite de carga máximo y/o tiene muchos movimientos involuntarios, p.e. balanceos, será conveniente considerar otro producto de R82 con un tamaño más grande y un máximo superior

Producto

- Realice todos los ajustes de posicionamiento del producto y los accesorios y asegúrese que todos los tiradores, tornillos y hebillas quedan bien sujetos antes de su uso. Mantenga todas las herramientas fuera del alcance de los niños
- Active los frenos antes de colocar al usuario en el producto
- Asegúrese de la estabilidad del producto antes de colocar al usuario en el mismo
- Asegúrese del correcto funcionamiento y la seguridad de las ruedas y los neumáticos antes de su uso
- Inspeccione el producto y todos sus accesorios y reemplace las piezas desgastadas antes de su uso
- No exponga el resorte de gas a presión oa altas temperaturas. NO perforar.
- No exponga el émbolo del pistón a arañazos o similares. Es importante que utilice un trapo como protección cuando efectúe regulaciones que necesiten herramientas en el pistón de gas
- Este producto ha sido sometido a pruebas de resistencia a la ignición conforme a EN 1021-1 e EN 1021-2
- El producto podría perder sus características de resistencia al fuego si se utiliza con otros cojines distintos a los originales de R82
- Este producto no está preparado para ser usado dentro de un vehículo de motor. El usuario deberá ser colocado en un asiento del vehículo y el producto deberá ser almacenado en un compartimento de equipaje
- El usuario no debe utilizar el producto mientras está siendo transportado dentro o fuera de un vehículo mediante una plataforma elevadora

Información de mantenimiento

El mantenimiento de un dispositivo médico es responsabilidad total del propietario de ese dispositivo. En caso de no mantener un dispositivo de acuerdo con las instrucciones la garantía del mismo puede quedar invalidada. Además, la falta de mantenimiento de un dispositivo puede poner en peligro el estado clínico o la seguridad de los usuarios y/o de sus cuidadores.

1r Día

- Lea la Guía del usuario detenidamente antes de usar el producto y guárdela en un lugar seguro para futuras consultas
- Guarde las herramientas empaquetadas con/ en el producto

Diariamente

- Utilice un paño seco para limpiar el producto
- Inspeccione visualmente el producto y repare o reemplace las piezas dañadas o desgastadas del mismo
- Asegúrese de que todas las piezas estén en su lugar y colocadas correctamente
- Asegúrese de que todas las piezas estén en su lugar y colocadas correctamente
- Preste atención a cualquier indicio de marca máxima antes de la revisión

Semanalmente

- Asegúrese de que todas las ruedas se mueven libremente y que todos los seguros de las ruedas y los frenos se activan fácilmente
- Elimine cualquier residuo de suciedad del producto utilizando un paño escurrido con agua templada y un detergente/jabón suave sin cloro. Seque el producto antes de utilizarlo.
- Retire cualquier residuo y suciedad del producto con un paño con agua tibia y un detergente suave y deje secarlo antes de usar
- Desinfecte el producto. Para obtener más información al respecto, consulte el apartado dedicado a la desinfección de esta guía de uso.

Mensualmente

- Todas las tuercas y los pernos de este producto deben ser revisados y ajustados para evitar fallos
- Lubrique las piezas de distancia basculante. Le recomendamos que utilice un sistema de lubricación profesional

Anualmente

- Inspeccione el marco de las grietas o signos de desgaste de las piezas y realice el servicio de mantenimiento anual. Nunca utilice un producto que parezca deficiente o defectuoso

Lavado a máquina

Este producto puede lavarse a:

- 60 °C durante 10 minutos
- 85 °C durante 3 minutos

...utilizando un detergente suave en una lavadora diseñada para dispositivos médicos. Ayúdese de la función de secado de la lavadora para secar el producto. Limpie los accesorios por separado.

Antes del lavado

Desmonte los elementos siguientes y límpielos por separado:

- Accesorios
- Almohadillas
- Protectores de radios

Desinfección

El producto, puede desinfectarse con una solución de alcohol isopropílico desinfectante al 70 %. Se recomienda eliminar cualquier residuo o suciedad del producto utilizando un paño humedecido en agua caliente y un jabón/ detergente suave sin cloro. Seque el producto antes de desinfectarlo.

Revisiones de Mantenimiento

Debe realizarse una inspección detallada del producto cada 12 meses (cada 6 meses para los usos intensivos) y cada vez que se vuelve a restaurar el producto para su uso. La inspección debe ser realizada por una persona técnicamente competente que haya sido entrenada en el uso del producto.

Póngase en contacto con su distribuidor para obtener instrucciones sobre reparaciones. La vida útil de este producto en su uso normal es de 5 años si todo el mantenimiento y las reparaciones se llevan a cabo de acuerdo con las instrucciones del fabricante y demostraciones registradas.

FRANÇAIS

Félicitations pour l'acquisition de votre nouveau produit R82- fabricant mondialement reconnu pour ses solutions techniques d'aides et matériel destiné aux enfants et adolescents handicapés. Afin de bénéficier pleinement des possibilités offertes par ce produit, il est recommandé de lire attentivement cette User Guide avant utilisation et de la conserver comme référence.

Destination

Le Rabbit est un verticalisateur conçu pour permettre à l'utilisateur de se déplacer et de s'orienter. La position verticale permet à l'enfant d'être actif dans ses déplacements, stimule ses sens et en lui procure plus d'indépendance. Le Rabbit peut convenir à un grand nombre d'utilisateurs; comme les enfants CP, GMFCS de niveau 2-5. Le Rabbit existe en 4 tailles.

Outils Inclus:

- clefs Allen 5mm
- clefs Allen 6mm



Déclaration de Conformité

Ces produits sont conformes à la directive 93/42/EEC. Le marquage CE doit être retiré en cas de modification du produit, lorsque le produit est utilisé en combinaison du produit d'un autre fabricant ou lorsque des pièces détachées ou adaptations non originales R82 sont ajoutées. De plus ce produit est conforme à la norme:

- EN 12182



Information concernant le recyclage

Lorsqu'un produit a atteint sa fin de vie, il doit être démantelé par type de matériau constituant, afin que chaque partie soit recyclée ou correctement jetée. Si nécessaire, contacter votre revendeur afin d'avoir des précisions sur chaque matériau constituant. Pour toute information sur le recyclage ou la mise au rebut de ce produit, contacter le service de la mairie compétent, et/ou le service local d'élimination des déchets.

Accessoires et pièces détachées

Les appareils R82 peuvent être fournis avec une grande variété d'accessoires à choisir en fonction des besoins individuels des utilisateurs. Les pièces détachées sont disponibles sur commande. Pour toute commande d'accessoire spécifiques, ou demande d'information, contacter votre revendeur.

Garantie R82

R82 offre une garantie de deux ans contre les défauts de fabrication et de matériaux ainsi qu'une garantie de 5 ans sur la rupture du cadre en métal provoquée par des défauts au niveau des soudures. La garantie peut être rendue caduque si la responsabilité du client consistant en un entretien et/ou une maintenance quotidienne n'est pas exécutée conformément aux instructions et aux intervalles prescrits par le fournisseur et/ou indiqués dans le User Guide. Pour plus d'informations, nous nous reportons à R82 homepage/download (page d'accueil R82/ téléchargement).

La garantie est uniquement applicable dans le pays où le produit a été acheté et s'il peut être identifié par le numéro de série. La garantie ne couvre pas les avaries accidentelles, notamment celles provoquées par une mauvaise utilisation ou par négligence. La garantie ne s'étend pas aux pièces d'usure comme les pneus ou bien le revêtement du produit qui soumis à une utilisation normale doivent être changés régulièrement.

La garantie est nulle est non avenue si des pièces/accessoires non d'origine sont utilisés, ou si le produit n'a pas été entretenu, réparé ou modifié conformément aux instructions et aux intervalles précisés par le fournisseur et/ou indiqués dans le User Guide. R82 se réserve le droit d'inspecter le produit, objet d'une réclamation, ainsi que de s'informer sur les conditions d'utilisation de ce dernier, avant d'agréer une prise en charge sous garantie et de décider s'il convient de remplacer ou réparer le produit défectueux. Il incombe au client de retourner l'article sur lequel porte la garantie à l'adresse d'achat. La garantie est fournie par R82 ou ultérieurement par un distributeur R82.

Informations relatives à la prévente:

- Support.r82.org

Sécurité

Les pictogrammes et les symboles, indiqués sur ce produit ne doivent en aucun cas être masqués ou retirés et doivent restés présents et clairement lisibles durant toute la durée de vie du produit. Ces symboles ou instructions doivent être immédiatement remplacés en cas de destruction ou d'ilisibilité. Contacter votre distributeur local pour toute information.

Accompagnant

- Lire soigneusement la notice d'utilisation (NU) avant utilisation et la ranger dans un endroit sécurisé pour s'y référer ultérieurement
- Toujours utiliser des aides et techniques de transfert adéquates
- Ne jamais laisser un usager de ce produit sans surveillance. S'assurer d'une supervision permanente par un adulte
- Les réparations et remplacements de pièces doivent être faits uniquement avec pièces originales R82 et installées selon les instructions du fabricant et/ou de la notice d'utilisation
- En cas de doute sur la sécurité lors de l'utilisation de votre produit R82, ou en cas de défectuosité, Il est conseillé d'arrêter immédiatement l'utilisation de l'appareil et de contacter dès que possible votre revendeur local
- Veiller à ce que les pièces mobiles ne coïncident pas les parties structurelles lors de leur ajustement

Environnement

- Vérifiez la température de la surface du produit, avant d'y placer un utilisateur, en particulier pour les utilisateurs atteints d'insensibilité cutanée, car ils ne peuvent pas sentir la chaleur. Si la température de la surface dépasse les 41 °C, laissez refroidir le produit avant de l'utiliser.
- Utiliser cet appareil sur une surface plane et sans obstacle. La maniabilité est réduite sur des surfaces humides
- Lors de l'utilisation sur une surface en pente, se référer aux à la table de mesures

Utilisateur

- Si l'utilisateur a un poids proche de l'indication de charge maximum du produit, et s' il est sujet a beaucoup de mouvement involontaires il est préférable de prendre le modèle avec indication de charge supérieure ou un autre produit R82 plus adapté

Produit

- Faire tous les réglages posturaux, installer les accessoires sur l'appareil en s'assurant que toutes les mollettes, vis et boucles sont correctement serrées avant d'installer l'utilisateur dans l'appareil. Conserver les outils hors de la portée des enfants
- Toujours mettre les freins avant d'installer l'enfant dans l'appareil
- S'assurer de la bonne stabilité de l'appareil avant d'installer l'enfant dedans
- S'assurer que les roues et pneus fonctionnent correctement avant utilisation
- Toujours inspecter l'appareil et ses accessoires, et remplacer les pièces éventuellement usées ou détériorées avant utilisation
- Ne pas exposer le ressort à gaz à une pression ou à des températures élevées. NE PAS percer.
- N'exposez pas la tige du piston aux éraflures, etc. Il est important d'utiliser un chiffon ou similaire, si des outils sont utilisés pour ajuster le vérin à gaz
- Ce produit a été testé pour la résistance à l'inflammation au niveau zéro inflammation conformément à EN 1021-1 et EN 1021-2
- Le produit peut perdre ses caractéristiques de résistance aux flammes s'il est utilisé dans d'autres produits que les coussins R82 d'origine
- Cet appareil ne doit pas être occupé durant son transport dans un véhicule à moteur. L'utilisateur doit être installé dans le siège du véhicule et l'appareil doit être mis dans le compartiment réservé aux bagages
- L'utilisateur ne doit pas être dans l'appareil lorsque celui-ci est placé ou retiré d'un véhicule à l'aide d'une plateforme élévatrice.

Informations relatives à l'entretien

La maintenance d'une aide technique médicale est pleinement sous la responsabilité du propriétaire de ce produit. La garantie appliquée au produit peut être invalidée au cas où l'entretien et la maintenance n'ont pas été accomplis de façon conforme à la notice d'instruction. De plus un défaut de maintenance peut compromettre les conditions cliniques ou la sécurité des usagers et/ou de leurs assistants.

1er jour

- Lire attentivement la notice d'utilisation (User Guide) avant la mise en route et la conserver pour un usage ultérieur.
- Ranger les outils livrés dans la pochette placée sur le châssis

Quotidiennement

- Utiliser un chiffon sec pour nettoyer le produit
- Inspection visuelle. Réparer ou remplacer toute pièce endommagée ou usée
- Faire attention à ce que toutes les fixations soient en place et correctement fixées
- Vérifier qu'il n'y ait pas de traces d'usure sur toutes les pièces des fixations et des boucles
- Prendre conscience de toute marque d'indication Maximum avant réglage

Hebdomadaires

- Vérifier que toutes les roulettes fonctionnent librement et que tous les verrouillages de roues/ freins s'activent facilement
- Nettoyez les éventuels résidus et saletés présents sur le produit à l'aide d'un chiffon imprégné d'eau chaude et de savon/détergent doux sans eau de Javel. Séchez avant utilisation.
- Vérifier que le mécanisme d'inclinaison fonctionne parfaitement et que le verrouillage de sécurité fonctionne correctement.
- Désinfectez le produit, veuillez consulter la section désinfection de ce Guide d'utilisation pour en savoir plus.

Mensuellement

- Tous les boulons, vis et écrous de ce produit doivent être vérifiés et resserrés pour éviter tout risque superflu
- Graisser les parties pivotantes. Un système lubrifiant professionnel par est recommandé

Annuellement

- Inspecter le châssis en vue de déceler d'éventuelles fissures et appliquer la liste de contrôle. Ne jamais utiliser un produit qui présente des défauts. Merci de se référer à la liste de contrôle

Lavage en machine

Ce produit peut être lavé à :

- 60 °C pendant 10 minutes ;
- 85 °C pendant 3 minutes.

Le lavage doit être réalisé à l'aide d'un détergent doux dans une machine conçue pour la stérilisation d'équipements médicaux. Utilisez la fonction de séchage de la machine pour sécher le produit. Veuillez nettoyer les accessoires séparément.

Avant de le nettoyer

Retirez les éléments suivants et nettoyez-les séparément :

- Accessoires
- Capitonage
- Protège-rayons

Désinfection

Le produit peuvent être désinfectés avec une solution d'AIP à 70 %. Il est recommandé de nettoyer les éventuels résidus et salissures présents sur le produit à l'aide d'un chiffon imprégné d'eau chaude et de savon/détergent doux sans eau de Javel et de laisser sécher avant désinfection.

Fréquence d'entretien

Une inspection détaillée du produit doit être faite tous les 12 mois (tous les 6 mois lors d'un usage intensif) de même qu'à chaque fois que l'appareil est redistribué. L'inspection doit être faite par un technicien compétent ayant été formé à l'utilisation de cet appareil. Contacter votre revendeur pour les indications de réparation.

Lors d'une utilisation normale, la durée de vie de ce produit est de 5 ans si l'entretien et la maintenance ont été effectués selon les instructions du fabricant. Chaque entretien doit être répertorié et enregistré.

ITALIANO

Vi ringraziamo per aver scelto questo prodotto della ditta R82, fornitore a livello mondiale di ausili tecnici ed apparecchi per bambini e ragazzi con bisogni speciali. Per beneficiare appieno delle possibilità offerte da questo prodotto è necessario leggere questo User Guide prima dell'uso e conservarlo per riferimenti futuri.

Destinazione

RABBIT è uno stabilizzatore con telaio mobile, che permette agli utenti di muoversi e orientarsi nello spazio. La posizione eretta permette al bambino di partecipare attivamente, stimolando i sensi e dando al bambino una maggiore indipendenza. RABBIT è indicato per utenti diversi, come ad es bambini con PCI, livello GMFCS 2-5. RABBIT è disponibile in 4 misure.

Attrezzi inclusi:

- Brugole da 5 mm
- Brugole da 6 mm



Dichiarazione di conformità

Questo prodotto è conforme ai requisiti della direttiva sui dispositivi medici (93/42/CEE). Il marchio CE deve essere rimosso quando il prodotto viene modificato, quando viene utilizzato in combinazione con altri prodotti di un'azienda diversa o quando si usano ricambi e accessori non originali R82. Inoltre, questo prodotto è conforme ai requisiti secondo:

- EN 12182



Smaltimento

Quando un prodotto raggiunge la fine della sua vita, deve essere separato in base al tipo di materiali che lo compongono, in modo che le parti possano essere riciclate o smaltite correttamente. Se necessario, si prega di contattare il rivenditore locale per una descrizione precisa di ogni materiale. Si prega di contattare e chiedere informazioni alle autorità locali relativamente alle opzioni disponibili per il riciclaggio nel rispetto dell'ambiente.

Accessori e ricambi

I prodotti R82 possono essere forniti con un'ampia varietà di accessori per soddisfare le esigenze del singolo utente. I pezzi di ricambio possono essere ordinati su richiesta. Gli accessori specifici possono essere cercati sul nostro sito oppure contattando il rivenditore locale per ulteriori informazioni.

R82 Warranty

R82 offre una garanzia di 2 anni su difetti di fabbricazione e dei materiali e 5 anni di garanzia per le rotture delle parti metalliche della struttura, se causate da difetti di saldatura. La garanzia può decadere se la responsabilità del cliente relativa a una cura e/o la manutenzione giornaliera non viene effettuata secondo le linee guida e gli intervalli prescritti da parte del fornitore e/o indicati nel User Guide. Per ulteriori informazioni, fare riferimento alla homepage R82 - sezione Download.

La garanzia è valida solo nel paese in cui è stato acquistato il prodotto, e se il prodotto può essere identificato dal numero di serie. La garanzia non copre i danni accidentali, compresi i danni causati da uso improprio o negligenza. La garanzia non si estende alle parti consumabili, come ad esempio gli pneumatici o le imbottiture, che sono soggetti a normale usura e necessitano di sostituzioni periodiche.

La garanzia è nulla se non vengono utilizzati accessori e parti originali, o se la manutenzione, la riparazione e l'alterazione del prodotto non sono state effettuate secondo le linee guida e gli intervalli prescritti da parte del fornitore e/o indicati nella User Guide. R82 si riserva il diritto di ispezionare il prodotto del reclamo e la relativa documentazione prima di accettare la richiesta di garanzia e di decidere se sostituire o riparare il prodotto difettoso. È responsabilità del cliente restituire il prodotto per il quale viene richiesto reclamo in garanzia all'indirizzo di acquisto.

Información preventiva

- Support.r82.org

Sicurezza

Segni, simboli e istruzioni poste su questo prodotto non devono mai essere coperti o rimossi e devono rimanere presenti e chiaramente leggibili per l'intera vita del prodotto. Sostituire o riparare immediatamente segni, simboli e istruzioni illeggibili o danneggiati. Contattate il vostro rivenditore locale per le istruzioni.

Assistente

- Leggere attentamente le istruzioni prima dell'uso e conservarle per riferimento futuro. L'uso non corretto di questo prodotto può causare gravi lesioni per l'utente
- Usare sempre le tecniche di sollevamento corrette e gli aiuti per questo scopo
- Non lasciare mai incustodito l'utente su questo prodotto. Garantire una supervisione continua da parte di un adulto
- Riparazioni/sostituzioni devono essere effettuate utilizzando ricambi e accessori nuovi e originali R82, e devono essere realizzate in conformità con le linee guida e gli intervalli di manutenzione prescritti dal fornitore
- In caso di dubbi relativamente ad un utilizzo in sicurezza continua del prodotto R82 o se qualsiasi sua parte dovessero rompersi, smettere di usare il prodotto immediatamente e contattare il rivenditore locale il più presto possibile
- Accertarsi che le parti mobili non schiaccino o intrappolino parti del corpo durante la regolazione

Ambiente

- Verificare la temperatura della superficie del prodotto prima di farvi salire un utente. Questo vale soprattutto per utenti con la pelle insensibile, che non riescono a percepire il calore. Se la temperatura della superficie supera i 41 °C, lasciare raffreddare il prodotto prima dell'uso
- Usare questo prodotto su una superficie piana e senza ostacoli. Fare attenzione alla ridotta manovrabilità sulle strade scivolose
- Quando viene utilizzato su pendenze, per garantire stabilità fare riferimento alla tabella dimensionale

Utente

- Se l'utente ha peso vicino alla portata massima e/o compie molti movimenti involontari, come ad esempio un dondolio, è consigliato utilizzare il prodotto in una misura più grande e con portata massima più elevata, o considerare un diverso prodotto R82

Prodotto

- Eseguire tutte le regolazioni per il posizionamento dell'utente sul prodotto e il montaggio degli accessori assicurandosi che tutte le manopole, viti e fibbie siano fissate saldamente prima dell'uso. Tenere tutti gli strumenti fuori dalla portata dei bambini
- Attivare i freni prima di posizionare l'utente sul prodotto
- Assicurarsi che il prodotto sia stabile prima di posizionare l'utente
- Accertarsi che le ruote e gli pneumatici siano perfettamente funzionanti e sicuri prima dell'uso
- Controllare il prodotto e tutti i suoi accessori e sostituire eventuali parti usurate prima dell'uso
- Non esporre la molla a gas a pressione o ad alte temperature. Non forare
- Non esporre lo stelo del pistone a gas a graffi ecc. È importante utilizzare un panno o simili per proteggerlo quando si utilizzano degli attrezzi per regolare il pistone a gas
- Questo prodotto è risultato ignifugo in conformità agli standard EN 1021-1 e EN 1021-2
- Questo prodotto potrebbe perdere le proprie caratteristiche ignifughe se usato con prodotti diversi dagli originali cuscini R82
- Questo prodotto non deve essere utilizzato per il trasporto in un autoveicolo. L'utente deve essere posizionato sul sedile dell'auto e il prodotto trasportato nel vano bagagli
- L'utente non deve essere posizionato sul prodotto mentre questo viene trasportato all'interno o all'esterno di un veicolo tramite piattaforma

Informazioni sull'assistenza

La manutenzione di un dispositivo medico è completa responsabilità del proprietario del dispositivo. La mancata manutenzione del dispositivo in conformità con le istruzioni può invalidare la garanzia del dispositivo. Inoltre, la non corretta manutenzione del dispositivo può compromettere la salute o la sicurezza degli utenti e/o dei loro accompagnatori.

Primo Giorno

- Leggere le User Guide attentamente prima dell'utilizzo e conservarle in un luogo sicuro per future consultazioni
- Conservare gli attrezzi allegati al prodotto

Quotidiana

- Usare un panno asciutto per pulire il prodotto
- Ispezione visiva. Riparare o sostituire le parti danneggiate o usurate
- Assicurarsi che tutti i dispositivi di fissaggio siano a posto e montati correttamente
- Controllare che non ci siano segnali di parti usurate in tutti i raccordi e le fibbie
- Fare riferimento a tutte le indicazioni di "max" prima di qualsiasi regolazione

Settimanale

- Controllare che tutte le ruote si muovano liberamente e che tutti i dispositivi di bloccaggio e freno delle ruote possano essere facilmente attivati
- Rimuovere con un panno umido e un detergente delicato eventuali residui e lo sporco dal prodotto e far asciugare prima dell'uso
- Verificare che i meccanismi per la reclinazione e i dispositivi di sicurezza funzionino correttamente
- Disinfettare il prodotto. Per ulteriori informazioni, consultare la sezione Disinfezione del presente Manuale d'uso.

Mensile

- Tutti i dadi e bulloni di questo prodotto devono essere controllati e serrati per evitare danni inutili
- Lubrificare i dispositivi swing-away. Si consiglia di utilizzare un prodotto lubrificante professionale

Annuale

- Controllare il telaio per crepe o segni di parti logorate ed effettuare manutenzione annuale. Non utilizzare mai un prodotto scadente o difettoso

Lavaggio a macchina

Il prodotto può essere lavato a:

- 60 °C in 10 minuti
- 85 °C in 3 minuti

...utilizzando un detersivo delicato in una lavatrice studiata per dispositivi medici. Utilizzare la funzione di asciugatura per asciugare il prodotto. Pulire separatamente gli accessori.

Prima del lavaggio

Rimuovere i seguenti elementi e pulirli separatamente:

- Accessori
- Imbottitura
- Pararaggi

Disinfezione

Il prodotto può essere disinfettato con una soluzione di alcol isopropilico al 70%. Si consiglia di rimuovere i residui di sporcizia dal prodotto con un panno inumidito con acqua calda e un detersivo/sapone delicato privo di cloro e lasciar asciugare prima della disinfezione.

Intervalli di manutenzione

Il prodotto deve essere ispezionato in modo dettagliato ogni 12 mesi (ogni 6 mesi per gli utenti di peso elevato) e ogni volta che il prodotto viene regolato nuovamente per l'uso. Il controllo deve essere effettuato da un tecnico competente con formazione specifica per l'utilizzo del prodotto. Contattare il proprio rivenditore locale per le istruzioni di riparazione, come per esempio sistemare una foratura dei pneumatici.

La durata di questo prodotto con utilizzo normale è di 5 anni, se tutta la manutenzione e gli interventi vengono effettuati secondo le istruzioni del produttore e testimoniate da documentazione.

PORTUGUÊS

Parabéns por adquirir o seu novo produto R82 - um fornecedor internacional de instrumentos e aparelhos técnicos auxiliares para crianças e jovens com necessidades especiais. Para beneficiar por completo das opções oferecidas por este produto, é impreterível ler o presente User Guide antes de utilizar o produto e conservá-lo para futura consulta.

Finalidade

A Rabbit é uma base de apoio móvel que permite ao utilizador movimentar-se em pé de um lado para o outro e de se orientar sozinho. A posição de pé possibilita à criança participar ativamente, estimulando os seus sentidos e tornando-a mais independente. A Rabbit adequa-se a diversos utilizadores como, p. ex., crianças com PC, GMFCS de nível 2-5. A Rabbit está disponível em 4 tamanhos.

Ferramentas incluídas;

- Chave Allen 5 mm
- Chave Allen 6 mm



Declaração de conformidade

Este produto cumpre os requisitos da Diretiva de Dispositivos Médicos (93/42/EEC). A marcação CE tem de ser removida se o produto for reconstruído, quando utilizado em combinação com produto de outro fabricante ou quando se utilizar peças ou encaixes originais da R82. Além disso, este produto cumpre todos os requisitos de acordo com:

- EN 12182



Eliminação

Quando um produto atinge o fim do seu tempo de vida útil, este deve ser separado por tipo de materiais para que as peças possam ser recicladas ou eliminadas corretamente. Se necessário, queira contactar o seu revendedor local para obter a descrição exata de cada material. Queira contactar as suas autoridades locais para se informar das opções disponíveis para reciclagem de forma a ser um procedimento ecológico.

Acessórios e peças sobresselentes

Os produtos R82 podem ser fornecidos com uma variedade de acessórios que satisfazem as necessidades do utilizador individualmente. As peças sobresselentes podem ser obtidas mediante pedido. Queira encontrar acessórios específicos na nossa página da internet ou contacte o seu revendedor local para mais informações.

Garantia R82

R82 oferece 2 anos de garantia relativa a defeitos de fabrico e nos materiais e 5 anos de garantia relativa à rotura da estrutura em metal causada por defeitos nas soldas. A garantia será afetada de forma adversa se o cliente não cumprir a sua responsabilidade de reparar e/ou realizar a manutenção diária de acordo com as orientações e os intervalos determinados pelo fornecedor e/ou dispostos no User Guide. Queira visitar a página da R82 na internet e proceder aos respetivos downloads para obter mais informações.

A garantia apenas é válida no país onde o produto foi adquirido e se o produto puder ser identificado pelo seu número de série. A garantia não cobre danos acidentais, incluindo danos provocados por utilizações indevidas ou por atos de negligência. A garantia não é extensível a consumíveis, por exemplo, pneus ou artigos estofados, que estão sujeitos ao desgaste normal através do seu uso e que precisam de ser periodicamente substituídos.

A garantia é nula e fica sem efeito se forem utilizados outros acessórios/peças que não sejam originários da R82, ou se o produto não tiver sido conservado, reparado ou modificado de acordo com as indicações e os intervalos determinados pelo fornecedor e/ou dispostos no User Guide (guia do utilizador). A R82 reserva-se o direito de inspecionar o produto reclamado e a documentação relevante antes de aceitar a reivindicação de garantia, e de decidir se deve substituir ou reparar o produto com defeito. É responsabilidade do cliente devolver o produto reivindicado sob garantia no endereço onde o adquiriu.

Informação pré-venda

- Support.r82.org

Segurança

Os sinais, os símbolos e as instruções existentes neste produto não podem ser cobertos ou removidos e têm de permanecer bem legíveis ao longo de todo o tempo de vida útil do produto. Substitua ou repare imediatamente os sinais, os símbolos e as instruções ilegíveis ou danificados. Contacte o seu revendedor local para obter instruções.

Prestador de cuidados

- Leia todas as instruções e User Guide atentamente antes de utilizar o produto e conserve-as para futura consulta. A utilização incorreta deste produto pode provocar ferimentos graves ao utilizador
- Utilize sempre as técnicas de elevação corretas e os aparelhos auxiliares para este efeito
- Nunca deixe o utilizador desacompanhado com este produto. Assegure a permanente supervisão por um adulto
- É impreterível realizar os trabalhos de reparação/substituição com base na utilização de novas peças sobresselentes e ferragens originárias da R82 e de acordo com as orientações e os intervalos de manutenção determinados pelo fornecedor
- Se tem dúvidas relativas à segurança em continuar a utilizar o seu produto R82 ou se alguma das peças falhar, pare de utilizar este produto imediatamente e contacte o seu revendedor local o mais rapidamente possível
- Certifique-se de que as peças móveis não apertam nem prendem as partes do corpo ao ajustá-las

Ambiente

- Observe a temperatura da superfície do produto antes de colocar um utilizador no seu interior. Esta observação aplica-se aos utilizadores com pele sem sensibilidade, uma vez que não conseguem sentir o calor. Se a temperatura de superfície for superior a 41 °C, permita que o produto arrefeça antes de utilizar
- Utilize este produto em superfícies sem quaisquer obstáculos. Esteja atento a manobras de reduzidas em percursos escorregadios
- Para utilizá-lo em superfícies inclinadas, consulte Medidas

Utilizador

- Se o utilizador se aproximar do peso máximo e/ou fizer muitos movimentos involuntários como, por exemplo, balançar, deve considerar-se um tamanho maior que suporte mais peso ou um produto R82 diferente

Produto

- Realize todos os ajustes em termos de posição no produto e nos acessórios e assegure-se de que todos os puxadores, parafusos e fivelas estão bem apertados antes de utilizar. Mantenha todos os instrumentos fora do alcance das crianças
- Ative os travões antes de acomodar o utilizador no produto
- Certifique-se de que é mantida a estabilidade do produto antes de acomodar o utilizador no mesmo
- Assegure-se de que as rodas e os pneus estão inteiramente operacionais e são seguros antes de utilizar o produto
- Inspeccione o produto e todos os seus acessórios e substitua quaisquer peças gastas antes de utilizá-lo
- Não exponha a mola a pressão ou a altas temperaturas. NÃO perfure.
- Não exponhas a biela a arranhões, etc. É importante a utilização dum pano ou semelhante, se as ferramentas forem utilizadas para ajustar a mola e gás
- Este produto foi testado quanto à resistência à ignição a nível de não ignição de acordo com as normas EN 1021-1 e EN 1021-2
- O produto pode perder as suas características de resistência às chamas se forem utilizadas almofadas que não sejam originárias da R82
- Este produto não se adequa para acomodar o utilizador num veículo automóvel. O utilizador tem de ser acomodado numa cadeira auto própria e o produto guardado no compartimento da mala
- O utilizador não pode ser acomodado no produto enquanto é transportado para dentro ou para fora de um veículo com rampa elevatória

Informações do serviço

A manutenção de um dispositivo médico é da total responsabilidade do proprietário desse dispositivo. A não realização da manutenção de um dispositivo de acordo com as instruções pode invalidar a garantia sobre o dispositivo. Além disso, se não realizar a manutenção de um dispositivo, poderá comprometer a condição clínica ou a segurança dos utilizadores e/ou seus prestadores de cuidados.

Primeiro dia

- Leia as User Guide atentamente antes de utilizar o produto e guarde-as em local seguro para futura consulta
- Guarde as ferramentas juntamente fornecidas no produto

Diariamente

- Utilize um pano seco para limpar o produto
- Inspeção visual. Repare ou substitua quaisquer peças danificadas ou gastas
- Certifique-se de que todos os fechos estão no sítio e corretamente engatados
- Verifique em todas as ferragens e fivelas se há peças com sinais de desgaste
- Esteja ciente de quaisquer marcas indicadoras de “máx.” antes de ajustar

Semanalmente

- Verifique se todos os rodízios se movem sem problemas e se todos os travões/ bloqueios de rodas podem ser facilmente ativados
- Limpe quaisquer resíduos e sujidade do produto utilizando um pano embebido em água quente e com um detergente/sabão suave, sem cloro, e seque antes de utilizar.
- Verifique se o mecanismo articulado trabalha bem e se o fecho de segurança funciona corretamente
- Desinfete o produto. Consulte a secção sobre desinfeção neste Manual do utilizador para obter mais informações

Mensalmente

- Todas as porcas e parafusos deste produto devem ser verificadas e apertadas para evitar problemas desnecessários
- Lubrifique as peças oscilantes. Recomendamos que utilize um sistema lubrificante profissional como

Anualmente

- Inspeccione o quadro quanto à existência de fissuras ou peças com sinais de desgaste e proceda à sua manutenção anual. Nunca utilize um produto que aparentemente não cumpra as normas ou esteja deficiente

Lavagem na máquina de lavar roupa

Este produto pode ser lavado a:

- 60 °C em 10 minutos
- 85 °C em 3 minutos

...na máquina de lavar concebida para dispositivos médicos, com um detergente suave. Utilize a função de secagem da máquina para secar o produto. Limpe os acessórios em separado.

Antes de lavar

Retire os seguintes componentes e limpe-os em separado:

- Acessórios
- Acolchoamento
- Protetores dos raios

Desinfeção

O produto pode ser desinfetado com uma solução IPA desinfetante a 70%. Recomendamos que limpe quaisquer resíduos e sujidade do produto utilizando um pano embebido em água quente e com um detergente/sabão suave, sem cloro, e seque antes de desinfetar.

Intervalos de manutenção

Deve ser realizada uma inspeção detalhada do produto de 12 em 12 meses (e de 6 em 6 meses para utilizadores pesados) e sempre que o produto for relançado para utilização. A inspeção deve ser realizada por um profissional técnico competente que tenha realizado formação na utilização deste produto. Contacte o seu representante local para instruções ou reparações.

O tempo de vida útil deste produto é normalmente de 5 anos se for bem conservado e se se realizar a manutenção necessária de acordo com as instruções do fabricante e com registo documentado.

PORTUGUÊS DO BRASIL

Parabéns por comprar o nosso novo produto da R82, um fornecedor mundial de assistências técnicas e aparelhos para crianças e adolescentes com necessidades especiais. Para obter os benefícios completos das opções oferecidas por este produto, você deve ler este User Guide antes de usá-lo, guardando-o para consultas futuras.

Uso pretendido

A Rabbit é uma moderna estrutura móvel vertical, que permite que seus usuários movimentem-se e guiem-se sozinhos. A posição em pé permite que a criança seja um participante ativo, ao mesmo tempo em que estimula os sentidos, dando-lhe mais independência. A Rabbit é apropriada para vários tipos de usuários, tais como crianças com PC, GMFCS nível 2-5. Ela vem em 4 tamanhos.

Ferramentas Incluso:

- Chave Allen de 5 m
- Chave Allen de 6 m



Declaração de conformidade

Este produto atende os requisitos da Diretiva 93/42/CEE para aparelhos médicos. A marca EC deve ser removida ao reconstruir/reformar o produto, quando for utilizado em conjunto com produtos de outros fabricantes ou ao utilizar peças e acessórios que não sejam os originais da R82. Ainda, este produto está em conformidade com as exigências das normas:

- EN 12182



Descarte

Quando um produto atinge o fim de sua vida útil, ele deve ser separado de acordo com o tipo de material, para que suas peças possam ser recicladas ou descartadas corretamente. Se necessário, contate o seu revendedor local para obter uma descrição precisa de cada material. Contate as autoridades de sua região para informar-se das opções disponíveis de reciclagem ecológica.

Acessórios e peças de reposição

Os produtos da R82 podem ser fornecidos com uma gama de acessórios que atendem às necessidades do usuário individual. As peças de reposição podem ser encomendadas sob solicitação. Encontre os acessórios específicos em nosso site ou contate seu revendedor local para maiores informações.

Garantia da R82

A R82 oferece uma garantia de dois anos contra defeitos de fabricação e materiais e uma garantia de cinco anos contra rupturas da estrutura de metal causadas por defeitos em suas soldas. A garantia pode ser afetada negativamente se a responsabilidade do cliente pelo conserto e/ou manutenção diária não for praticada de acordo com as instruções e intervalos descritos pelo fornecedor e/ou conforme descrito no User Guide. Para maiores informações, consultamos a página inicial da R82, na aba download.

A garantia somente poderá ser mantida se o produto R82 estiver sendo utilizado no mesmo país onde foi adquirido e se puder ser identificado pelo seu número de série. A garantia não cobre danos acidentais, incluindo aqueles causados por uso incorreto ou descuido. A garantia não se estende a itens consumíveis, tais como pneus ou estofamento, que estão sujeitos a desgaste normal e precisam de substituição periódica.

A garantia será anulada caso outras peças/acessórios que não sejam os originais sejam usados, ou caso o produto não tenha sido mantido, consertado ou alterado de acordo com as orientações e intervalos prescritos pelo fornecedor e/ou dispostos no Guia do Usuário (User Guide). A R82 reserva-se o direito de inspecionar o produto sob reclamação e a documentação relevante antes de concordar com o pedido de garantia, além de decidir se substituirá ou consertará o produto defeituoso. O consumidor é responsável por retornar o item sob reclamação que encontra-se na garantia para o endereço de compra.

Informações pré-vendas

- Support.r82.org

Segurança

Os sinais, símbolos e instruções colocados neste produto nunca devem ser cobertos ou removidos, devendo estar presentes e claramente legíveis durante toda a sua vida útil. Substitua ou inserte imediatamente sinais, símbolos e instruções ilegíveis ou danificados. Entre em contato com o seu revendedor local para maiores instruções.

Caregiver

- Leia todas as instruções cuidadosamente antes de utilizar o produto e guarde-as para futura referência. O uso incorreto deste produto pode causar sérios acidentes ao usuário
- Utilize sempre as técnicas e auxílios de elevação corretos para tal fim
- Nunca deixe o usuário sem supervisão com este produto. Certifique-se de que há a supervisão permanente de um adulto
- Consertos/substituições somente devem ser feitos utilizando-se peças e acessórios novos e originais da R82 e executados de acordo com as instruções e intervalos de manutenção sugeridos pelo fornecedor
- Se houver quaisquer dúvidas quanto ao uso continuado de seu produto R82 ou se qualquer uma das peças falhar, pare imediatamente de utilizar o produto e contate o seu revendedor local assim que possível
- Certifique-se de que as peças móveis não apertem ou prendam partes do corpo ao serem ajustadas

Ambiente

- Verifique a temperatura da superfície do produto antes de deixar o usuário entrar. Isso vale especialmente para usuários com falta de sensibilidade cutânea, o que pode afetar sua percepção de calor. Caso a temperatura da superfície esteja acima de 41 ° C, espere o produto esfriar um pouco antes de usá-lo.
- Use este produto em uma superfície nivelada e sem quaisquer obstáculos. Tenha cuidado ao utilizá-lo em superfícies escorregadias
- Ao utilizar a base Combix em terrenos com inclinações, consulte suas medidas/limites para manter a estabilidade

Usuário

- Se o usuário estiver próximo do limite máximo de carga e/ou realizar muitos movimentos involuntários, tal como balançar-se, deve-se considerar um produto de maior tamanho ou com uma carga máxima maior, ou mesmo um produto R82 diferente

Produto

- Realize todos os ajustes de posição no produto e acessórios e certifique-se de que todos os botões, parafusos e fivelas estão firmemente presos antes de sua utilização. Mantenha todas as ferramentas longe do alcance de crianças
- Ative os freios antes de colocar o usuário no produto
- Certifique-se de manter a estabilidade do produto antes de colocar o usuário no mesmo
- Certifique-se de que as rodas e pneus encontram-se totalmente funcionais e presas antes do uso
- Inspecione o produto e todos os seus acessórios, substituindo quaisquer peças desgastadas antes do uso
- Não deixe o pistão a gás exposto ao sol ou altas temperaturas. NÃO perfure
- Não exponha o pistão a arranhões, etc. É importante utilizar um pano ou algo semelhante quando realizar ajustes com ferramentas no pistão
- Este produto foi testado quanto à sua resistência à ignição em nível sem ignição, de acordo com as normas EN 1021-1 e EN 1021-2
- Este produto pode perder as suas características de resistência a chamas caso sejam utilizados estofamentos que não sejam originais da R82
- Este produto não deve ser colocado em um veículo automotivo. O usuário deve ser posicionado em um assento do veículo e o produto deve ser armazenado no bagageiro
- O usuário não deve ocupar o produto enquanto estiver sendo transportado para dentro ou fora de um veículo através de um elevador

Informações de serviços

A responsabilidade pela manutenção de um equipamento médico é totalmente de seu proprietário. A não-manutenção de um equipamento de acordo com suas instruções pode invalidar a garantia do mesmo. Além disso, a não-manutenção de um equipamento pode comprometer a condição clínica ou a segurança dos usuários e/ou de seus cuidadores.

Primeiro dia

- Leia o User Guide cuidadosamente antes de usar o produto e guarde-o em local seguro para consultas futuras
- Armazene as ferramentas incluídas no produto

Diariamente

- Use um pano seco para limpar o produto
- Inspeção visual. Conserte ou substitua quaisquer peças danificadas ou desgastadas
- Certifique-se de que todas as presilhas estão presentes e ajustadas corretamente
- Verifique todos os acessórios e fivelas quanto a sinais de desgaste
- Esteja alerta de quaisquer indicações de marca máxima antes de fazer ajustes

Semanalmente

- Verifique se todas as roldanas movem-se livremente e se todas as travas/freios das rodas são facilmente ativados
- Limpe qualquer resíduo ou sujeira do produto com o uso de um pano umedecido com água quente e detergente / sabão neutro e sem cloro, e seque antes de usar.
- Verifique se o mecanismo de angulação e a trava de segurança funcionam corretamente
- Desinfete o produto; por favor, consulte o capítulo sobre desinfecção deste Manual do Usuário para mais informações.

Mensalmente

- Todas as porcas e parafusos neste produto devem ser verificados e apertados para evitar quedas desnecessárias
- Lubrifique as peças giratórias. Recomendamos que você utilize um sistema de lubrificação profissional, tal como o lubrificante seco

Anualmente

- Inspeção a estrutura quanto a rachaduras ou sinais de peças desgastadas e realize a manutenção anual. Nunca utilize um produto que pareça estar abaixo do padrão ou defeituoso

Máquina de lavar

Este produto pode ser lavado a:

- 60 °C em 10 minutos
- 85 °C em 3 minutos

...utilizando um detergente neutro na máquina de lavar projetada para dispositivos médicos. Utilize a função de secagem da máquina para secar o produto. Limpe os acessórios separadamente.

Antes de lavar

Remova os itens a seguir e limpe-os separadamente:

- Acessórios
- Acolchoamento
- Protetores dos raios da roda

Desinfecção

O produto pode ser desinfetado com uma solução de desinfetante IPA a 70%. É recomendável limpar qualquer resíduo e sujeira do produto com um pano umedecido com água quente e detergente/sabão neutro e sem cloro e deixar secar antes da desinfecção.

Intervalo de manutenção

Uma inspeção detalhada do produto deve ser feita a cada 12 meses (ou a cada 6 meses, no caso de usuários pesados) e toda vez que o produto for novamente liberado para uso. A inspeção deve ser feita por uma pessoa tecnicamente competente, que recebeu treinamento sobre o uso do produto. Entre em contato com seu distribuidor local para instruções sobre reparos.

Em condições normais de uso, a vida útil deste produto é de 5 anos, caso a manutenção e reparo sejam feitos de acordo com as instruções do fabricante e estejam comprovadamente registrados.

РОССИЯ

Поздравляем Вас с приобретением Вашего нового изделия от R82 — компании, поставляющей по всему миру технические приспособления и устройства для детей и подростков со специфическими потребностями. Чтобы в полной мере воспользоваться преимуществами данного изделия, перед его использованием необходимо прочитать данное руководство и сохранить его для получения справочной информации в будущем.

Предназначение

Rabbit — это мобильный вертикализатор, обеспечивающий пользователям возможность перемещаться и ориентироваться в пространстве. Стоячее положение позволяет ребенку активно участвовать в происходящем, стимулируя его ощущения и предоставляя ему большую независимость. Вертикализатор Rabbit подходит для различных пользователей, например, для детей с ДЦП уровня 2-5 по системе классификации общей моторики.

Инструменты

- Прилагаемые инструменты: 5 мм шестигранный ключ
- Прилагаемые инструменты: 6 мм шестигранный ключ



Декларация соответствия

Данное изделие соответствует требованиям Европейской директивы по медицинскому оборудованию (93/42/ЕЕС). Маркировка CE должна быть удалена, если продукция была переделана, если рама используется в комбинации с продукцией другого производителя и когда используются не оригинальные R82 запчасти и крепления. Кроме того, этот продукт соответствует требованиям в соответствии с:

- EN 12182



Утилизация

По достижении данным изделием окончания срока службы его необходимо разобрать на детали в зависимости от материала, из которого они изготовлены, для того, чтобы впоследствии эти детали можно было переработать или правильно утилизировать. Если необходимо, пожалуйста, обратитесь к дилеру в Вашем регионе для получения точного описания всех материалов. Пожалуйста, обратитесь в региональные органы власти, чтобы узнать об экологически безопасных способах повторной переработки материалов.

Аксессуары и запчасти

Изделия компании R82 могут поставляться с различными аксессуарами, соответствующими определенным нуждам пользователей. Заказ запчастей может осуществляться по запросу. Найдите специальные аксессуары на нашем веб-сайте и свяжитесь с дилером в Вашем регионе для получения дополнительной информации.

Гарантия R82

R82 предлагает 2-летнюю гарантию, которая распространяется на дефекты изготовления и материалов, и 5-летнюю гарантию, которая распространяется на случаи повреждения металлической рамы вследствие дефектов сварки. В случае несоблюдения покупателем его обязательств по обслуживанию и/или ежедневному уходу в соответствии с инструкциями и интервалами, предусмотренными поставщиком и/или указанными в данном руководстве, гарантия будет отменена. Для получения дополнительной информации см. главную страницу веб-сайта компании R82, раздел «Материалы для скачивания».

Гарантия действительна только в той стране, где изделие было приобретено, и если возможна идентификация изделия по его серийному номеру. Гарантия не распространяется на случайные повреждения, в том числе повреждения вследствие ненадлежащего или небрежного использования. Гарантия не распространяется на расходные материалы (например, шины и обивку), подверженные естественному износу и требующие периодической замены.

Гарантия аннулируется и становится недействительной в случае, если не используются оригинальные запчасти/аксессуары, или если данное изделие обслуживается, ремонтируется или модифицируется не в соответствии с предписаниями и интервалами, установленными поставщиком и/или указанными в User Guide. установленными поставщиком и/или указанными в инструкциях по использованию. Компания R82 сохраняет за собой право осмотра изделия, по которому предъявляется требование об исполнении гарантии, и соответствующей документации, прежде чем согласиться с обоснованностью претензий по гарантии и принять решение о необходимости замены или ремонта дефектного изделия. Покупатель обязан вернуть изделие, по которому предъявляется требование об исполнении гарантии, по адресу покупки данного изделия. Гарантия предоставляется компанией R82 или, впоследствии, компанией-дилером, распространяющей продукцию R82.

Предпродажная информация

- Support.r82.org

Безопасность

Знаки, условные обозначения и инструкции, размещенные на данном изделии, ни в коем случае нельзя закрывать или удалять — они должны оставаться на изделии в читаемом виде на протяжении всего срока его службы. Незамедлительно замените или восстановите знаки, условные обозначения и инструкции, которые были повреждены или стали нечитаемыми. Для получения инструкций обратитесь к дилеру в Вашем регионе.

Лицо, осуществляющее уход за инвалидом

- Перед использованием данного изделия внимательно прочитайте все инструкции и сохраните их для использования в будущем. Неправильное использование данного изделия может стать причиной получения его пользователем серьезных травм
- Для этой цели следует всегда использовать надлежащие методы подъема и соответствующие вспомогательные приспособления
- Никогда не оставляйте пользователя в данном изделии без присмотра. Необходимо обеспечить постоянное наблюдение со стороны взрослого
- Ремонт/замена компонентов необходимо осуществлять только с использованием новых оригинальных запчастей и приспособлений производства R82, а также в соответствии с предписаниями и интервалами обслуживания, установленными поставщиком
- Если у Вас возникли какие-либо сомнения относительно возможности продолжения безопасного использования Вашего изделия от R82, или в случае потенциального отказа каких-либо его компонентов, незамедлительно приостановите использование данного изделия и как можно скорее свяжитесь с дилером в Вашем регионе
- При регулировке убедитесь в том, что движущиеся детали не сжимают и не защемляют части тела

Окружающая среда

- а) Перед размещением пользователя в изделии проверьте температуру поверхности изделия. Это особенно важно для пользователей с чувствительной кожей, поскольку они не могут чувствовать жар. Если температура поверхности превышает 41 °C, дайте изделию остыть перед использованием.
- Используйте данное изделие на ровной поверхности без каких-либо препятствий. Помните о пониженной маневренности на скользкой дороге.
- При использовании данного продукта на наклонных поверхностях, пожалуйста, обратитесь к диаграмме для измерения устойчивости

Пользователь

- Если вес пользователя приближается к

макс. допустимому для данного изделия и/или пользователь выполняет много произвольных движений, например, раскачивание, следует рассмотреть возможность использования большего по размеру изделия с более высокой макс. нагрузкой по весу или другого изделия от компании R82

Изделие

- Выполните все позиционные регулировки на изделии и аксессуарах, а также удостоверьтесь в том, что все ручки, винты и пружины надежно закреплены перед использованием данного изделия. Храните все инструменты в недоступном для детей месте
- Активируйте тормоза, прежде чем разместите пользователя в данном изделии
- Убедитесь в устойчивости данного изделия, прежде чем разместить в нем пользователя.
- Перед использованием данного изделия убедитесь в том, что его колеса и шины полностью функционируют и надежно закреплены
- Перед использованием осмотрите данное изделие, а также все его аксессуары, и замените все изношенные детали
- Не подвергайте газовый амортизатор воздействию высоких температур и давления. Не прокалывайте его.
- Следите, чтобы на поршневом штоке не появлялись царапины и т.д. Используйте ткань или т.п., если используете инструмент для регулировки газового амортизатора.
- Данное изделие протестировано на предмет стойкости к воспламенению на уровне невоспламенения в соответствии со стандартами EN 1021-1 и EN 1021-2
- Изделие может утратить свою огнестойкость в случае его использования с подушками, не являющимися оригинальной продукцией компании R82
- Нельзя размещать пользователя в данном изделии, если оно находится в автомобиле. Пользователя необходимо поместить в автомобильное сиденье, а данное изделие должно находиться в багажном отделении
- Пользователь не должен находиться в данном изделии в момент, когда оно транспортируется в автомобиль или из него посредством подъемного приспособления

Информация об обслуживании

Техническое обслуживание данного медицинского устройства полностью является ответственностью его владельца. Следствием несоблюдения требований в отношении технического обслуживания данного устройства в соответствии с инструкциями может стать аннулирование гарантии по данному устройству. Более того, несоблюдение требований в отношении технического обслуживания данного устройства может поставить под угрозу клиническое состояние или безопасность пользователей и/или лиц, осуществляющих уход за ними.

1-й день

- Перед использованием данного изделия внимательно прочитайте инструкции по его использованию и сохраните их в надежном месте для последующего использования
- Храните прилагающиеся инструменты на/в изделии

Ежедневно

- Используйте сухую тряпку для очистки данного изделия
- Визуальный осмотр. Отремонтируйте или замените все поврежденные или изношенные детали
- Убедитесь в том, что все крепежные детали на месте и правильно установлены
- Проверьте все приспособления и пружины на предмет изношенных деталей
- Изучите все отметки максимальных уровней перед выполнением регулировки

Еженедельно

- Проверьте, свободно ли двигаются все направляющие ролики и легко ли активируются все фиксаторы колес/ тормоза
- Смоченной в теплой воде с мягким моющим средством/мылом без хлора и отжатой тряпкой вытрите с изделия налет и грязь; вытрите насухо перед использованием
- Проверьте, правильно ли функционирует угловой механизм, и правильно ли работает предохранительный фиксатор
- Дезинфицируйте продукт. См. дополнительную информацию в разделе, посвященном дезинфекции, в этом Руководстве пользователя

Ежемесячно

- Во избежание ненужных неисправностей все гайки и болты на данном изделии необходимо проверять и затягивать
- Смажьте вращающиеся детали. Мы рекомендуем использовать профессиональную смазочную систему

Ежегодно

- Осмотрите раму на предмет трещин или признаков износа деталей и выполните ежегодное обслуживание. Никогда не используйте изделие, если оно кажется некачественным или неисправным

Обработка рамы

Очистку изделия можно осуществлять:

- при 60 °С в течение 10 минут
- при 85 °С в течение 3 минут

...с использованием мягкого моющего средства в стиральной машине, предназначенной для медицинских устройств. Для сушки изделия используйте имеющуюся в машине функцию сушки. Принадлежности следует очищать отдельно.

Перед очисткой

Снимите нижеуказанные элементы и очистите их отдельно.

- комплектующие;
- мягкие подкладки;
- предохранители для спиц.

Дезинфицирование

Изделие можно дезинфицировать 70%-м дезинфицирующим раствором с изопропиловым спиртом (IPA). Перед дезинфекцией рекомендуется стереть с изделия налет и грязь с помощью ткани, смоченной в теплой воде с мягким моющим средством/мылом без хлора, и высушить его.

Интервал обслуживания

Тщательный осмотр данного изделия необходимо проводить каждые 12 месяцев (каждые 6 месяцев для пользователей с большим весом) и каждый раз при повторном выпуске данного изделия для использования. Осмотр должен осуществляться технически квалифицированным лицом, обладающим знаниями в области использования данного изделия. Обратитесь к местному дилеру для получения инструкций по ремонту.

При нормальной эксплуатации и выполнении технического обслуживания и ухода в соответствии с инструкциями производителя (при условии наглядно зафиксированных данных) срок службы данного изделия составляет 5 лет.

POLSKI

Gratulujemy zakupu nowego produktu firmy R82 – światowego dostawcy środków pomocy technicznej i urządzeń dla dzieci i młodzieży ze specjalnymi potrzebami. Aby w pełni korzystać z możliwości oferowanych przez ten produkt, należy przeczytać tę User Guide przed przystąpieniem do jego użytkowania oraz zachować ją do późniejszego użycia.

Przewidziane zastosowanie

Rabbit mobilny pionizator zapewniający użytkownikowi możliwość poruszania się i orientacji. Pozycja stojąca umożliwia dziecku aktywne uczestnictwo w zajęciach, zapewniając stymulację zmysłów i poczucie większej niezależności. Pionizator Rabbit jest odpowiedni dla wielu użytkowników np. dzieci z CP, GMFCS poziom 2-5. Rabbit jest dostępny w 4 rozmiarach.

Dołączone narzędzia:

- Klucz imbusowy 5 mm
- Klucz imbusowy 6 mm



Deklaracja zgodności

Niniejszy produkt jest zgodny z wymaganiami Dyrektywy dla wyrobów medycznych (93/42/EEC). Jeśli produkt zostanie zmodyfikowany, zostaną użyte nieoryginalne części zamienne lub wyposażenie (inne niż R82) lub w przypadku użytkowania w połączeniu z produktem innego producenta należy usunąć oznaczenie CE. Dodatkowo produkt jest zgodny z wymogami norm:

- EN 12182



Utylizacja

Gdy produkt osiąga kres swojej żywotności, należy go zdemontować dzieląc na rodzaje materiałów, tak aby części mogły zostać poddane recyklingowi lub zutylizowane w odpowiedni sposób. Jeśli wystąpi taka potrzeba, można skontaktować się z lokalnym sprzedawcą, aby precyzyjnie określić każdy rodzaj materiału. Można skontaktować się lokalnymi organami administracji, aby uzyskać informacje dotyczące możliwości poddania produktu recyklingowi w sposób przyjazny dla środowiska.

Akcesoria i części zapasowe

Produkty firmy R82 mogą być dostarczane z różnymi akcesoriami odpowiednimi do potrzeb poszczególnych użytkowników. Części zamienne mogą być dostarczane na zamówienie. Należy odszukać konkretne akcesoria na naszej stronie internetowej lub skontaktować się z lokalnym sprzedawcą, aby uzyskać więcej informacji.

Gwarancja R82

R82 oferuje 2-letnią gwarancję w razie wystąpienia wad wykonania i materiałów oraz 5-letnią gwarancję na uszkodzenie metalowej ramy spowodowane wadliwymi spawami. Gwarancja przestaje obowiązywać, jeśli klient, który jest odpowiedzialny za serwisowanie i/lub codzienną konserwację urządzenia, nie przestrzega wytycznych i terminów określonych przez dostawcę oraz podanych w User Guide. Więcej informacji można uzyskać na stronie internetowej firmy R82 w sekcji „download”.

Gwarancja przyznawana jest wyłącznie w kraju, w którym zakupiono produkt oraz jeśli można go zidentyfikować poprzez numer seryjny. Gwarancja nie obejmuje przypadkowych uszkodzeń, w tym szkód wyrządzonych wskutek niewłaściwego użytkowania lub zaniedbania. Gwarancja nie obejmuje również elementów eksploatacyjnych, np. opon lub tapicerki, które podlegają normalnemu zużyciu i należy je okresowo wymieniać.

Gwarancja wygasa w przypadku zastosowania nieoryginalnych części/akcesoriów lub konserwacji, napraw lub przeróbek produktu niezgodnie z wskazówkami i okresami określonymi przez dostawcę i/lub opisanymi w User Guide. Firma R82 zastrzega sobie prawo do kontroli produktu, który jest reklamowany, oraz odpowiedniej dokumentacji przed uwzględnieniem roszczeń gwarancyjnych oraz decyzją, czy wymienić lub naprawić wadliwy produkt. Do obowiązków klienta należy zwrot produktu, wobec którego wnosi roszczenie gwarancyjne, pod dany adres, gdzie zostało zakupione.

Informacja dotycząca przedsprzedaży

- Support.r82.org

Bezpieczeństwo

Oznaczeń, symboli i instrukcji umieszczonych na produkcie nie wolno zasłaniać ani usuwać; muszą one być obecne i czytelne przez cały czas użytkowania produktu. Nieczytelne lub zniszczone oznaczenia, symbole lub instrukcje należy natychmiast wymienić. W tej sprawie należy się skontaktować z lokalnym sprzedawcą.

Opiekun

- Przed rozpoczęciem użytkowania urządzenia należy dokładnie przeczytać wszystkie instrukcje oraz zachować je do przyszłego użytku. Nieprawidłowe użytkowanie produktu może spowodować poważne obrażenia użytkownika
- Przy podnoszeniu zawsze należy stosować odpowiednie techniki i środki
- Nie wolno zostawiać użytkownika urządzenia bez nadzoru. Należy zapewnić stały nadzór osoby dorosłej
- Naprawy/wymiany części muszą być wykonywane wyłącznie przy użyciu nowych, oryginalnych części R82 oraz zgodnie z wytycznymi i okresami konserwacji zalecanymi przez dostawcę
- Jeżeli istnieje jakakolwiek wątpliwość co do dalszego bezpiecznego korzystania z produktu R82, albo uszkodzą się jakieś części, należy przerwać użytkowanie produktu i jak najszybciej skontaktować się z lokalnym sprzedawcą
- Należy uważać, aby podczas regulacji ruchome komponenty nie uciskały ani nie zablokowały żadnej części ciała

Środowisko

- Należy zwrócić uwagę na temperaturę powierzchni produktu przed umieszczeniem w nim użytkownika. Dotyczy to przede wszystkim użytkowników ze skórą niewrażliwą na temperaturę. Jeśli temperatura powierzchni produktu jest wyższa niż 41 °C, przed użyciem należy poczekać, aż ulegnie obniżeniu
- Produktu należy używać na równiej powierzchni, na której nie ma żadnych przeszkód. Należy pamiętać o ograniczonej zwrotności na śliskich nawierzchniach
- Podczas użytkowania na pochyłościach należy zapoznać się z wymiarami

Użytkownik

- Jeśli ciężar użytkownika jest bliski maksymalnemu obciążeniu urządzenia i/ lub wykonuje wiele mimowolnych ruchów, np. kołysanie, należy rozważyć większe urządzenie o wyższym dopuszczalnym obciążeniu lub inny produkt R82

Produkt

- Należy wykonać wszystkie ustawienia pozycji produktu i akcesoriów oraz sprawdzić przed rozpoczęciem użytkowania, czy wszystkie pokrętła, śruby i klamry są prawidłowo przymocowane. Wszystkie narzędzia należy trzymać poza zasięgiem dzieci
- Przed umieszczeniem użytkownika w urządzeniu należy włączyć hamulce
- Przed umieszczeniem w nim użytkownika należy upewnić się, czy urządzenie jest stabilne
- Przed użyciem należy sprawdzić, czy kółka i opony są w pełni sprawne i bezpieczne
- Przed użyciem należy sprawdzić urządzenie i wszystkie akcesoria oraz wymienić zużyte części
- Nie wystawiać dźwigni gazowej na działanie ciśnienia lub wysokie temperatury. Nie przekłuwaj
- Nie wystawiać trzona tłoka na zarysowania itp. Ważne jest, aby użyć szmatki, jeżeli korzystamy z narzędzi do regulacji dźwigni gazowej
- Niniejszy produkt był testowany pod kątem odporności na zapalenie zgodnie z normami EN 1021-1 i EN 1021-2
- Produkt może utracić swoje niepalne właściwości, jeśli są w nim używane poduszki inne niż oryginalne R82
- Urządzenie nie może być używane w pojazdach mechanicznych. Użytkownika należy posadzić na siedzeniu pojazdu, a urządzenie włożyć do bagażnika
- Użytkownik nie może przebywać w urządzeniu, gdy jest ono wnoszone do pojazdu lub wnoszone z niego za pomocą tylnej platformy załadowniczej

Informacje dotyczące czynności serwisowych

Obowiązek konserwacji urządzenia medycznego leży całkowicie po stronie jego właściciela. Brak wykonywania konserwacji urządzenia zgodnie z instrukcją może spowodować utratę gwarancji. Ponadto może zagrozić warunkom klinicznym i bezpieczeństwu użytkowników lub ich opiekunów.

Pierwszy dzień

- Przed rozpoczęciem użytkowania dokładnie przeczytać instrukcję obsługi dla użytkownika i przechowywać ją w bezpiecznym miejscu do późniejszego użycia
- Dołączone narzędzia przechowywać z produktem lub w jego pobliżu

Codziennie

- Wyczyścić produkt suchą szmatką
- Dokonać inspekcji wizualnej. Naprawić lub wymienić uszkodzone lub zużyte części
- Sprawdzić, czy wszystkie mocowania znajdują się na miejscu i są poprawnie przytwierdzone
- Sprawdzić wszystkie mocowania i klamry pod kątem występowania oznak zużycia części
- Zachować ostrożność podczas regulacji, aby nie przekraczać oznaczeń ustawień maksymalnych

Co tydzień

- Sprawdzić, czy wszystkie kółka swobodnie się obracają i czy wszystkie blokady/hamulce łatwo się włącza
- Należy zetrzeć wszelkie pozostałości i zanieczyszczenia z powierzchni produktu za pomocą szmatki zamoczonej w ciepłej wodzie bez chloru z dodatkiem łagodnego detergentu/mydła, a następnie osuszyć przed użyciem.
- Sprawdzić, czy mechanizm kątowy oraz blokada bezpieczeństwa działają poprawnie
- Należy zdezynfekować produkt. Więcej informacji na ten temat znajduje się w niniejszej instrukcji obsługi w rozdziale o dezynfekcji

Co miesiąc

- Sprawdzić wszystkie śruby i nakrętki w urządzeniu i dokręcić je, aby uniknąć niepotrzebnych uszkodzeń
- Nasmarować wszystkie ruchome części. Zalecamy stosowanie profesjonalnego systemu smarowania

Co roku

- Skontrolować ramę pod kątem występowania pęknięć lub oznak zużycia części oraz wykonać coroczny serwis. Nie wolno używać urządzenia, które wydaje się nie spełniać norm lub jest uszkodzone

Urządzenie do mycia

Produkt może być czyszczony:

- w temperaturze 60 °C przez 10 minut
- w temperaturze 85 °C przez 3 minuty

...przy użyciu łagodnego detergentu w pralce przeznaczonej dla urządzeń medycznych. Skorzystać z funkcji suszenia, by odpowiednio wysuszyć produkt. Akcesoria czyścić osobno.

Przed rozpoczęciem mycia

Należy zdemontować i oddzielnie umyć następujące elementy:

- Akcesoria
- Materiał wyścielający
- Osłony szprych

Dezynfekcja

Produkt może zostać poddany dezynfekcji z wykorzystaniem środka dezynfekującego w postaci 70% roztworu izopropanolu. Zaleca się usunięcie wszelkich pozostałości i zanieczyszczeń

Okresy serwisowania

Szczegółową kontrolę urządzenia należy przeprowadzać co 12 miesięcy (co 6 miesięcy w przypadku ciężkich użytkowników) oraz za każdym razem, gdy urządzenie zostanie ponownie przystosowane do użytku. Kontrola powinna być przeprowadzana przez kompetentną osobę, wyszkoloną w zakresie użytkowania urządzenia. Skontaktuj się z lokalnym dystrybutorem w sprawie instrukcji.

Okres użytkowania urządzenia normalnie trwa 5 lat, jeśli wszystkie czynności konserwacyjne i serwisowe są wykonywane zgodnie z instrukcjami producenta i są one udokumentowane.

ČESKY

Oceňujeme, že jste se rozhodli pro výrobek společnosti R82, která je světovým výrobcem technických pomůcek a zařízení pro invalidní děti a mládež. Abyste využili všech výhod a možností, které Vám tento produkt nabízí, doporučujeme Vám pročíst si před použitím tyto User Guide a uschovat je k nahlédnutí v budoucnosti.

Určeným účelem

Rabbit je mobilní vertikalizační stojan, umožňující uživateli pohyb a orientaci v prostoru. Poloha stání umožňuje dítěti být aktivním účastníkem, se stimulací smyslů a možností určité nezávislosti. Vertikalizátor Rabbit je vhodný pro velkou skupinu uživatelů, např. pro děti s mozkovou obrnou stupně 2-5. Rabbit se dodává ve 4 velikostech.

Příložené nářadí:

- 5 mm imbusový klíč
- 6 mm imbusový klíč



Prohlášení o shodě

Tento výrobek odpovídá požadavkům Směrnice 93/42/EEC, Předpisy pro zdravotní prostředky. Při přestavbách výrobku, jeho používání v kombinaci s produktem jiného výrobce nebo při použití jiných než originálních (R82) náhradních dílů a součástí musí být označení CE odstraněno. Dále tento výrobek splňuje požadavky dle norem:

- EN 12182



Informace o recyklaci

Pokud produkt dosáhne konce své životnosti, měl by být rozebrán a rozříděn dle materiálů, takže materiály mohou být recyklovány. V případě potřeby kontaktujte Vašeho místního distributora a vyžádejte si specifikaci jednotlivých materiálů. Kontaktujte prosím místní úřady pro informace o možnostech recyklace nebo likvidace použitého produktu způsobem, šetrným k životnímu prostředí.

Doplňky a náhradní díly

Výrobky R82 mohou být dodávány s celou řadou doplňků, které se volí individuálně dle potřeb uživatele. Náhradní díly se dají objednat. Volte doplňky dle nabídky na našich webových stránkách nebo kontaktujte místního dodavatele.

R82 Záruka

Společnost R82 poskytuje 2letou záruku na vady materiálu a vady vzniklé při výrobě a 5letou záruku na zlomení kovového rámu v důsledku vadných svarů. Záruka může být nepříznivě ovlivněna zanedbáním odpovědnosti ze strany zákazníka při provádění servisu či každodenní údržby v souladu s pokyny a v intervalech předepsaných dodavatelem či uvedených v User Guide. Další informace naleznete na domovské stránce společnosti R82 v části Ke stažení.

Záruka platí pouze v zemi, ve které byl produkt zakoupen a jestliže jej lze identifikovat podle výrobního čísla. Záruka se nevztahuje na náhodné poškození včetně poškození způsobené nesprávným použitím či nedbalostí. Záruku nelze rozšířit na díly, jež nejsou odolné, podléhají běžnému opotřebení a vyžadují pravidelnou výměnu.

Záruka ztrácí platnost použitím jiných než originálních dílů či příslušenství, anebo jestliže výrobek nebyl udržován, opravován či upravován v souladu s pokyny a intervaly předepsanými dodavatelem nebo dle informací uvedených v uživatelské příručce. Společnost R82 si před uznáním garančních nároků vyhrazuje právo na prohlídku výrobku s příslušnou dokumentací a na rozhodnutí, zda bude vadný výrobek vyměněn či opraven. Výrobek, na nějž je uplatňován garanční nárok, je zákazník povinen předat na adresu místa nákupu.

Předprodejní informace

- Support.r82.org

Bezpečnost

Znaky, symboly a instrukce umístěny na tomto zařízení nesmějí být nikdy trvale zakryty nebo odstraněny a musí být udržovány v původním stavu po celou dobu životnosti výrobku. Ihned vyměňte nebo opravte poškozené znaky, symboly a instrukce. Kontaktujte Vašeho místního dodavatele pro bližší informace.

Pečovatel

- Před používáním si pozorně přečtete User Guide a instrukce a uchovejte je i pro budoucí používání. Nesprávné používání tohoto výrobku může zapříčinit vážné poranění uživatele
- Vždy používejte správnou techniku zvedání a správné pomůcky pro tento účel
- Nikdy nenechávejte uživatele v zařízení bez dozoru. Zajistěte stálý dozor dospělým člověkem
- Při opravách musí být použity pouze nové originální díly R82 v souladu s návodem a musí být dodržovány intervaly prohlídek předepsány výrobcem
- Pokud máte pochybnost o bezpečném používání výrobku, okamžitě jej přestaňte používat a ihned kontaktujte Vašeho místního dodavatele
- Dbejte na to, aby pohyblivé součásti při nastavování nestiskly nebo nezachytily části těla

Prostředí

- Před umístěním uživatele na produkt zkontrolujte povrchovou teplotu produktu. Zejména to platí u uživatelů s necitlivou kůží, kteří necítí teplo. Pokud povrchová teplota překročí 41 °C, před použitím nechte produkt vychladnout.
- Zařízení používejte na rovném podkladu bez překážek. Buďte si vědomi omezené ovladatelnosti na kluzkých cestách
- Při používání tohoto výrobku na svazích nahlédněte do tabulky velikostí, kde nalezete údaje o stabilitě

Uživatel

- Pokud se hmotnost uživatele blíží maximální povolené a nebo má nekontrolovatelné pohyby jako např. kymáčení se, větší velikost s vyšší povolenou maximální zátěží nebo jiné zařízení R82 by mělo být zvaženo

Výrobek

- Dbejte správného nastavení výrobku a doplňků a ujistěte se, že všechny šrouby, matice a spony jsou správně dotaženy a zabezpečeny. Nářadí uchovávejte mimo dosah dětí
- Při umísťování uživatele do výrobku tento zabrzděte
- Ujistěte se o stabilitě zařízení před umístěním uživatele do něj
- Ujistěte se, že všechna kola a pneumatiky jsou před započatím používání v pořádku
- Kontrolujte zařízení a doplňky a případné opotřebované díly vyměňte
- Plynovou pružinu nevystavujte tlaku a vysokým teplotám. PŮZOR NA PRORAŽENÍ
- Zamezte poškrábání či jinému poškození pístnice. Při používání nářadí k seřízení plynové pružiny je důležité použít hadr či podobnou pomůcku
- Tento výrobek byl testován na odolnost vůči zápalnosti na úrovni nezápalné dle EN 1021-1 a EN 1021-2
- Použitím jiných než originálních podušek R82 může výrobek své ohnivzdorné vlastnosti ztratit
- Toto zařízení nesmí být používáno ve vozidle. Uživatel musí být umístěn v sedačce a zařízení uloženo do ložného prostoru vozidla
- Uživatel nesmí používat zařízení během nakládání do vozidla pomocí zvedací plošiny na vozidle

Servisní informace

Údržba zdravotnického zařízení je zcela na odpovědnosti majitele daného zařízení. Pokud nebude údržba zařízení prováděna dle pokynů, může to vést ke zneplatnění záruky, vztahující se na dané zařízení. Dále může nedostatečná údržba tohoto zařízení poškodit klinický stav nebo bezpečnost uživatele a / nebo osob o ně pečujících.

1. den

- Před použitím si pečlivě přečtěte všechny pokyny k použití (User Guide) a uschovejte je, abyste do nich mohli nahlédnout v budoucnost
- Příložené nástroje uložte do pouzdra na rámu

Každodenně

- Výrobek čistěte čistým hadříkem
- Vizuální kontrola. Opravte či vyměňte všechny poškozené nebo opotřebované díly
- Dávejte pozor, aby byly všechny úchyty na místě a správně osazené
- Kontrolujte známky opotřebování na všech úchytech a přezkách
- Před nastavením věnujte pozornost všem značkám, označujícím maxima

Týdně

- Zkontrolujte, zda se všechna kolečka volně otáčejí a zda se všechny zámky / brzdy koleček snadno aktivují
- Před použitím odstraňte zbytky nečistot z produktu vlhkým hadříkem namočeným v teplé vodě s jemným čisticím prostředkem/ mýdlem neobsahujícím chlor.
- Zkontrolujte, zda zatáčecí mechanismy správně fungují a zda je náležitě funkční i bezpečnostní zámek.
- Vydezinfikujte produkt. Více informací naleznete v části věnované dezinfekci v tomto návodu.

Měsíčně

- Všechny matice a šrouby na tomto produktu je třeba zkontrolovat a dotáhnout, abyste se vyhnuli závadám
- Naklápěcí části mažte. Doporučujeme používat profesionální lubrikační systém

Ročně

- Prohlédněte rám zařízení zda nevykazuje poškození nebo praskliny nebo náznaky abnormálního opotřebování. Nikdy nepoužívejte výrobek, který tyto závady vykazuje

Omyvatelné zařízení

Výrobek lze mýt:

- 10 minut při teplotě 60 °C
- 3 minuty při teplotě 85 °C

...za použití šetrného detergentu v mycím zařízení určeném pro zdravotnické prostředky. K sušení použijte sušící funkci zařízení. Příslušenství čistěte samostatně.

Před mytím

Odstraňte následující součásti a vyčistěte je zvlášť:

- Doplněky
- Čalounění
- Chrániče výpletu kola

Dezinfekce

Produkt bez doplňků lze dezinfikovat v 70% dezinfekčním roztoku IPA. Před dezinfekcí doporučujeme z produktu odstranit zbytky a nečistoty hadříkem namočeným v teplé vodě s jemným čisticím prostředkem/mýdlem neobsahujícím chlor.

Servisní intervaly

Detailní kontrola zařízení se musí provádět každých 12 měsíců (u hmotnějších uživatelů každých 6) a pokaždé musí být zařízení schváleno pro další používání. Kontrolu musí provádět technicky zdatný pracovník, který je k tomu proškolen. Kontaktujte Vašeho místního dodavatele za účelem opravy.

Životnost výrobku je normálně 5 let, pokud se dodržují všechny kontroly a servisy v souladu s návodem výrobce.

中國

恭喜您已经购买了R82的产品，R82是一家为儿童和青少年生产专业辅助器械的公司。为了能最大限度地从该产品中受益，请您务必在使用产品前阅读此操作手册。

用途及适应症

小兔子移动站立架能够帮助使用者自由移动，自己调整移动的方向。站立起来孩子能够积极地参与各种活动，同时刺激他们的感官，让孩子享有更多的独立性。小兔子移动站立架适合许多不同的使用者，比如GMFCS等级在2-5级的脑性麻痹儿童。

封闭式工具：

- 5毫米內六角扳手和
- 6毫米內六角扳手和



符合标准声明

本品符合医疗设备指令（93/42/EEC）的要求。处于下列情况时，必须清除 CE 标记：重建产品时、与其他制造商的产品结合使用时，或使用原装 R82 以外的备件或配件时。另外，本品符合下述要求：

- EN 12182



产品处理

当产品使用年限达到其寿命时，应按原料类型进行分离，以使其能正确地回收和处理。如果有需要，请联系您当地的代理商/经销商，询问各部件的详细描述，处于环保考量，产品回收处理时请联系当地环保部门。

零部件

R82的产品可以遵循单个用户的个别需求选配不同的附件。附件可依要求订购，您可以通过我们的官网或联系当地的经销商获取这些附件的更多信息。

R82质保

R82 对工艺和材料上的缺陷提供 2 年期限的保修，对焊接缺陷造成的金属框破裂提供 5 年期限保修。- 若产品的使用和/或保养未按照使用手册的要求去做，所产生的由使用者造成的问题，则不在质保范围。更多详情，您可登陆R82的官方网站进行相关下载。

该质保仅在产品所购国家/地区有效，产品的序列号清晰可辨。意外损坏时质保无效，例如错误使用造成的损坏。质保不包含消耗品，例如轮胎和垫衬物等，上述产品日常使用时会造成正常的磨损，从而需要周期性地更换。

质保在以下情形时失效：使用非R82原厂配件；设备未按照使用说明进行维修和定期检查维护。涉及质保，R82有权对设备进行检验确认，以确定是否需要更换或维修。顾客需要将问题产品发回至购买地。该质保由R82或其代理商提供。

预售信息

- Support.r82.org

安全性

产品上的任何符号、标记及说明在产品的整个使用期限内，不得撕毁、覆盖，须始终保持其完好、清晰。如有损毁，请立刻联系当地代理商及时更换。

护理人员

- 使用产品前，请务必仔细阅读所有说明，并保存好以便将来参照。对产品的不当使用，可能会给使用者带来严重的伤害。
- 对产品高低的调节请依使用说明进行。
- 确保使用者在使用时有人照看，当儿童使用时，务必有成人看管。
- 维修或重新安装部件时，请务必使用R82公司原厂的配件或装置，并且按照安装说明或供应商规定的方法进行安装。
- 如果您对继续使用产品的安全性有任何疑问，或产品有任何部分出现故障时，请立即停止使用并尽快和当地供应商取得联系。
- 确保在调整活动部件时不会压住或夹住身体部位。

环境

- 在挪入乘坐者之前，查看产品表面温度，尤其对于皮肤不敏感的乘坐者，因为他们无法感觉到热。如果表面温度超过 41° C，则等产品冷却后再使用
- 产品只能在无障碍物的平坦地面上使用。注意在湿滑地面上操作稳定性会降低。
- 当在斜坡上使用产品时，参见使用说明。

使用者

- 如果使用者的体重接近产品的最大载重，或者使用者有许多不自主的动作，例如摇摆等，应考虑使用更大尺寸的产品或R82系列的其他产品。

产品

- 使用前，请先根据孩子的尺寸进行调整并安装相应配件，确保所有的螺丝、把手、搭扣都已拧紧。确保所有工具都远离孩子。
- 在把使用者放进产品前，请务必确保激活制动装置。
- 在把使用者放进产品前，请务必确保产品的稳定性。
- 使用前，请务必确保轮子及轮胎的安全性及功能的完好性。
- 使用前，请先对产品及配件作检查，并及时更换已损坏部件。
- 不要让活塞杆有划痕等。用工具调节气弹簧时借助一块布或诸如此类的东西很重要。
- 不要将气弹簧暴露在压力或高温下，请小心使用，防止损坏。
- 本品已通过EN 1021-1、EN 1021-2和ISO7176-16规定的非起火点不发生起火的测试。
- 如果使用了其他非R82原装坐垫，本品可能会失去其阻燃特性
- 汽车运输过程中，不可使用产品。乘坐汽车时，请将使用者置于汽车座椅上，将产品置于汽车行李箱中。
- 当使用升降设备将产品装入汽车或从汽车卸下时，确保使用者未在使用产品。

保养信息

医疗设备的保养是设备所有者的义务，如果没有按照说明对设备进行保养，将不享受质保；另外，不对设备进行保养可能会对用户的使用或安全性以及护理人员带来危害。

第一次

- 使用前请仔细阅读用户手册，并将其保存在安全的地方，以备将来参考
- 附带的工具就存放在产品上，以防丢失。

日常

- 用于布擦拭产品。
- 通过外观检查，及时修理或更换损坏的或磨损的零件。
- 确保所有的紧固件都在恰当的位置并正确地安装了。
- 检查所有固定处和带扣看有无零配件磨损的迹象。
- 调节前要了解所有有最大标记的地方（调节上限）。

每周

- 确保所有的脚轮都能自由移动，所有的车轮锁/刹车都能轻易地被激活。
- 使用在温水中浸湿并拧干的布和不含氯的温和洗涤剂/肥皂擦掉所有残余物和灰尘，并在晾干后再使用。
- 确保角度调节功能是好的，保险锁能正常地使用。
- 对产品进行消毒。请查看本用户指南中的消毒章节以了解更多信息

每月

- 确保产品上所有的螺母和螺栓都是拧紧的，以避免不必要的伤害。
- 给能摆动的部位注油，我们建议用专业的润滑油。

每年

- 检查基底框架有无裂痕或零配件磨损，不要使用存在安全隐患的产品。

洗涤剂

该产品的清洗温度：

- 60° C — 10 分钟
- 85° C — 3 分钟

... 使用温和和洗涤剂在医疗器械清洗设备内清洗。使用设备的烘干功能烘干产品。

附件需单独清洁。

清洗前

拆除以下组件并单独清洁：

- 附件
- 缓冲垫
- 辐条保护盘

消毒

带和的轮椅可使用 70% 的 IPA 消毒液进行消毒。建议使用在温水中浸湿的布和不含氯的温和洗涤剂/肥皂擦掉所有残余物和灰尘，并在晾干后再进行消毒。

保养周期

产品的详细检测必须每年进行一次（对于体重较重使用者每半年进行一次），检修后再使用。检修必须是由经培训合格的技术人员来完成。请联系您当地的经销商对维修的说明。

正常情况下，如果按照厂商的说明书和指南对产品进行维护和保养，产品的使用寿命是5年。

日本

本製品は、R82社（デンマーク）の長年にわたる経験によって開発されました。ご使用前に本取扱説明書を良くお読みいただき、大切に保管してください。

使用目的

本製品は、医療機器安全規格（Medical Device Regulations）93/42/EEC の基準を満たしております。本製品を改造または、R82社純正品以外を使用する場合は、貼付されているCEマークを外してください。モジュラー型のシートと組合わせてご使用される場合、シートの製作者は、MDD 93/42/EEC article 1, §2 letter F. に関する適合宣言書をR82社に申請してください。

付属工具：

- ・ 5mmレンチと
- ・ 6mmレンチと



CE 準拠の宣言

この製品は、医療機器指令（93/42/EEC）の要件に準拠しています。製品を修理するとき、他のメーカーの製品と組み合わせて使用するとき、またはR82用の純正品ではない交換部品・付属品を使用したとき、CEマークを除去する必要があります。さらに、この製品は、次の要件に準拠しています。

- ・ EN 12182



廃棄

廃棄される場合、それぞれの部品を材料別に区分し、リサイクルと廃棄物に適切に分類してください。各材料の正確な情報は、販売店にお問い合わせください。リサイクルに関する情報は、自治体にお問い合わせください。

アクセサリー・各種部品

R82社製品には、個々のご利用者様のニーズに応じた様々なアクセサリーをご用意しております。部品も必要に応じてご注文いただけます。詳しくは、Webサイトで検索するか、販売店にお問い合わせください。

R82 保証

フレームは製造上の不良に対して2年間、溶接の不良により発生したメタルフレームの破損に対しては5年間の品質保証がなされております。この保証は、本取扱説明書に記載されている正しいご使用方法をお守りいただき、（お客様の責任において）定期的なメンテナンスを受けられていることを前提としております。（消耗品は対象外となります）

保証は、製品を購入した国においてのみ、適用されます。使用かつ製造番号の確認がとれた場合のみ保証が有効となります。またこの品質保証は、本製品の構成部品の修理又は交換に限定されるもので、その欠陥に付随して起こる又は結果として起こる損害を担保とするものではありません。これは最初の原購入者に限定されます。万一、この保証に基づいて構成部品に欠陥が発見された時は、弊社の選択によりその部品を修理するか交換するかを決定し、無償にてこれを行います。

この保証はR82社製の純正品が使用されている場合のみ有効で、認定の受けていない業者による修理等で起きた損害や怪我は保証の対象外です。弊社は保証同意前に、その製品又は関連する書類を検査する権利を有しております。

事前販売情報

- ・ Support.r82.org

安全性

本製品に配置されている、サイン、記号、説明は隠したり、取除いたりせず常に見える状態に保ってください。判読できない、損傷した場合は、すぐに交換又は修復してください。詳しくはお買い求めいただいた販売店にご相談ください。

介助者

- ・ ご使用前に本取扱説明書を良くお読みいただき、大切に保管してください。誤ったご使用方法はお怪我の原因になります。
- ・ 持上げる際は、正しい方法で行ってください。
- ・ 必ず大人の方の監視下の元でご使用ください。
- ・ 修理/交換の際は、R82社製純正部品をご使用ください。
- ・ 安全性の不明な点や、部品に不具合が生じた場合は、直ちにご使用をお止めいただき、販売店にご相談ください。
- ・ 可動部品の調節時には、身体部分が挟み込まれないように注意してください

ご利用者様

- ・ ユーザーが搭乗する前に、製品の表面温度を確認してください。ユーザーの皮膚が無感覚であり、熱を感じる事ができないときは、特に注意してください。表面温度が41°Cを超えるときは、製品の温度が下がってから使用してください。
- ・ 本製品は障害物のない平地でご使用ください。滑りやすい道路では操作性が損なう可能性がありますのでご注意ください。
- ・ 傾斜面でご使用される場合（寸法表ご参照）

ご利用者様

- ・ ご利用者様の体重が製品の耐荷重に近い、又は多動な場合は、大きいサイズ又はR82社製他製品をご利用ください。

製品

- ・ ご使用前に、製品・付属品の位置調整を行い、プッシュプレス、ネジ、バックル等が全て安全に固定されているか確認してください。工具はお子様の手が届かない場所に保管してください。
- ・ 移乗される前には、必ずブレーキをセットしてください。
- ・ 移乗される前には、製品が安定した状態にあるか確認してください。
- ・ ご使用前に、車輪が完全に機能し、安全であることを確認してください。
- ・ ご使用前に、製品と全ての付属品を点検し、磨耗している部品は交換してください。
- ・ ガスダンパーを高気圧・高温の場所に置かないでください。また穴を開けないでください。
- ・ ガスダンパーを調整される際は、布などを使って、ピストン棒を傷つけないようにご注意ください。
- ・ 本製品は、EN 1021-1、EN 1021-2 および ISO 7176-16 に基づく非引火性レベルに対して、耐引火性テストが行なわれています
- ・ 本来の R82 クッション以外のものを使用すると、本製品は難燃性が失われる可能性があります
- ・ 本製品は自動車内で場所をとりません。ユーザーを車の座席に置いて、製品は荷物室に保管してください。
- ・ 後部リフトによって車の輸送時にユーザーは製品に置いておくことはできません。

サービス情報

医療機器のメンテナンスは所有者の責任において行ってください。規定のメンテナンスが行われないと、保証が無効になる場合があります。また、適切なメンテナンスが行われない場合、ご利用者様・介助者の方の安全性が損なわれる可能性があります。

ご使用初日

- ・ ご使用前に本取扱説明書を良くお読みいただき、大切に保管してください。誤ったご使用方法はお怪我の原因になります。
- ・ 付属工具は大切に保管してください。

毎日

- ・ 乾いた布を使用して製品を拭いてください
- ・ 目視で点検をしてください。損傷や摩耗した部品を修理または交換してください
- ・ すべての留め具が適切な場所に正しく設置されているか確認してください
- ・ すべての留め金とバックルに摩耗の症状があるか確認してください
- ・ 調整する前に最大マークの表示に注意してください

毎週

- ・ 全てのキャスターが自在に動き、ホイールロック/ブレーキが機能するか確認してください。
- ・ 布を、温かい水と、塩素を含まない中性洗剤/石けんに浸してから絞ります。この布を使い、製品から残留物や汚れを拭き取り、使用前に乾かします。
- ・ 角度メカニズムが正確に機能し、安全ロックが正確に動作しているか確認する
- ・ 製品を消毒します。詳細は、このユーザーガイドにおける消毒の項目を確認してください。

毎月

- ・ 本製品の全てのナット・ボルトがしっかり固定されているか確認してください。
- ・ 開閉部分に潤滑油をふってください。専用の潤滑油をお勧めします。

毎年

- ・ フレームのひびや磨耗部品を点検してください。標準以下や不具合のある製品は絶対に使用しないでください。

器具洗浄機

本製品は以下の条件に従って洗浄することが可能です。

- ・ 60℃で10分間
- ・ 85℃で3分間

医療機器専用洗濯機で中性洗剤を使用。選択にの乾燥機能を使用して製品を乾燥させます。付属品は別途洗浄してください。

洗浄前に

以下の部品を取り外し、個別に洗浄してください:

- ・ アクセサリー
- ・ クッションング
- ・ スポークプロテクター

殺菌

プロダクトは 70% の消毒液を使用して殺菌できます。殺菌する前に塩素を含まない中性洗剤/石鹸と温水の溶液を含ませた布で残留物やプロダクト材料の汚れを拭き取り、乾燥させることをお勧めします。

メンテナンス時期

製品の点検は12ヶ月毎（ご使用頻度の高いご利用者様の場合は6ヶ月毎）に行ってください。点検は製品使用の訓練を受けた技術担当者が行ってください。タイヤのパンクなどの修理に関しましては、お近くのディーラーにお問い合わせください。

規定に基づいた保守メンテナンスが行われた場合の標準的耐用年数は5年です。

ΕΛΛΗΝΙΚΗ

Συγχαρητήρια για την αγορά του νέου σας προϊόντος από την R82 - τον παγκόσμιο προμηθευτή τεχνικών βοηθημάτων και συσκευών για παιδιά και εφήβους με ειδικές ανάγκες. Για επωφεληθείτε πλήρως από τα χαρακτηριστικά αυτού του προϊόντος, πρέπει να διαβάσετε το παρόν εγχειρίδιο πριν από τη χρήση του προϊόντος και να φυλάξετε το εγχειρίδιο για μελλοντική χρήση.

κατασκευαστής

Ο Rabbit είναι ένας κινητός ορθοστάτης που προσφέρει τη δυνατότητα στους χρήστες να μετακινούνται και να προσανατολίζονται στο χώρο. Η όρθια θέση επιτρέπει στο παιδί να συμμετέχει ενεργά, γεγονός που τονώνει τις αισθήσεις του και του παρέχει περισσότερη ανεξαρτησία. Ο Rabbit είναι κατάλληλος για πολλούς χρήστες, όπως π.χ. παιδιά με εγκεφαλική παράλυση επιπέδου GMFCS 2-5.

εργαλεία?

- Κλειδί Allen 5 mm
- Κλειδί Allen 6 mm



Δήλωση Συμμόρφωσης

Το παρόν προϊόν συμμορφώνεται με τις απαιτήσεις της Οδηγίας περί Ιατροτεχνολογικών Προϊόντων (93/42/ΕΟΚ). Το σήμα CE πρέπει να αφαιρεθεί σε περίπτωση ανακατασκευής του, όταν χρησιμοποιείται σε συνδυασμό με ένα προϊόν από άλλο κατασκευαστή προϊόντος ή χρήσης ανταλλακτικών και συνδέσμων που δεν είναι γνήσια προϊόντα της R82. Επιπλέον, το προϊόν αυτό συμμορφώνεται με τις απαιτήσεις των προτύπων:

EN 12182



Απόρριψη

Όταν ένα προϊόν φτάνει στο τέλος του κύκλου ζωής του, πρέπει να διαχωρίζεται ανά τύπο υλικού έτσι ώστε τα εξαρτήματα να μπορούν να ανακυκλωθούν ή να απορριφθούν με τον κατάλληλο τρόπο. Εάν χρειάζεται, σας παρακαλούμε να επικοινωνήσετε με τον τοπικό σας διανομέα για μία ακριβή περιγραφή του κάθε υλικού. Παρακαλούμε επικοινωνήστε με τις τοπικές σας αρχές για να ενημερωθείτε σχετικά με τις δυνατότητες ανακύκλωσης με φιλοπεριβαλλοντικό τρόπο.

Παρελκόμενα και ανταλλακτικά

Για τα προϊόντα της R82 προσφέρονται διάφορα παρελκόμενα, τα οποία ανταποκρίνονται στις ανάγκες του εκάστοτε χρήστη. Η παραγγελία των ανταλλακτικών γίνεται κατόπιν αιτήματος. Αναζητήστε τα ανταλλακτικά στην ιστοσελίδα μας ή επικοινωνήστε με τον τοπικό σας διανομέα για περαιτέρω πληροφορίες.

Εγγύηση R82

Η R82 προσφέρει 2-ετή εγγύηση για κατασκευαστικά ελαττώματα και ελαττώματα στα υλικά και 5-ετή εγγύηση για σπάσιμο του μεταλλικού σκελετού λόγω ελαττωμάτων στις συγκολλήσεις. Η εγγύηση θα επηρεαστεί αρνητικά εάν ο πελάτης δεν τηρήσει την ευθύνη του ως προς τη διεξαγωγή συντήρησης από τεχνικό ή/και την καθημερινή συντήρηση σύμφωνα με τις κατευθυντήριες γραμμές και τα διαστήματα συντήρησης που προβλέπει ο κατασκευαστής ή/και αναφέρονται στις οδηγίες χρήσης. Για περισσότερες πληροφορίες, σας παραπέμπουμε στην ιστοσελίδα της R82: homepage/download.

Η εγγύηση παρέχεται μόνο για τη χώρα αγοράς του προϊόντος, και μπορεί να ταυτοποιηθεί μέσω του σειριακού αριθμού του Η εγγύηση δεν καλύπτει τυχαίες ζημιές, συμπεριλαμβανομένων των ζημιών από ακατάλληλη χρήση ή αμέλεια. Η εγγύηση δεν περιλαμβάνει αναλώσιμα στοιχεία, όπως π.χ. ρόδες ή επενδύσεις, καθώς αυτά υπόκεινται σε φυσιολογική φθορά και πρέπει να αντικαθιστώνται περιοδικά.

Η εγγύηση ακυρώνεται, εάν χρησιμοποιηθούν εξαρτήματα/παρελκόμενα διαφορετικά από τα αυθεντικά ή εάν το προϊόν δεν έχει συντηρηθεί, επισκευαστεί ή τροποποιηθεί σύμφωνα με τις κατευθυντήριες γραμμές και τα διαστήματα που προβλέπει ο προμηθευτής ή/και αναφέρονται στις οδηγίες χρήσης. (User Guide). Η R82 διατηρεί το δικαίωμα ελέγχου του προϊόντος, για το οποίο εγείρεται η αξίωση εγγύησης, καθώς και των σχετικών εγγράφων προτού εγκρίνει την αξίωση, καθώς και το δικαίωμα να αποφασίσει εάν θα αντικαταστήσει ή θα επισκευάσει το ελαττωματικό προϊόν. Αποτελεί ευθύνη του πελάτη η επιστροφή του προϊόντος, για το οποίο εγείρεται η αξίωση στο πλαίσιο της εγγύησης, στη διεύθυνση αγοράς του. Η εγγύηση παρέχεται από την R82 ή, κατ'επέκταση, από ένα διανομέα της R82.

Πληροφορίες πριν την πώληση

- Support.r82.org

Ασφάλεια

Τα σήματα, τα σύμβολα και οι οδηγίες που φέρει το προϊόν δεν θα πρέπει ποτέ να αλείπονται ή να αφαιρούνται. Πρέπει να μόνουν στη θέση τους και να είναι ευαναγνωστά καθ' όλη τη διάρκεια ζωής του προϊόντος. Φροντίστε να αντικαθιστάτε άμεσα τα σήματα, τα σύμβολα ή τις οδηγίες που δεν είναι αναγνώσιμα/-ες ή έχουν υποστεί ζημιά. Επικοινωνήστε με τον τοπικό σας διανομέα για οδηγίες.

Φροντιστής

- Διαβάστε προσεκτικά όλες τις οδηγίες πριν από τη χρήση του προϊόντος και φυλάξτε τις για μελλοντική χρήση. Η ακατάλληλη χρήση του προϊόντος μπορεί να προκαλέσει σοβαρό τραυματισμό στο χρήστη
- Χρησιμοποιείτε πάντοτε τις κατάλληλες τεχνικές ανύψωσης και τα βοηθήματα που προβλέπονται γι' αυτόν το σκοπό
- Ποτέ μην αφήνετε το χρήστη χωρίς επίβλεψη μέσα σε αυτό το προϊόν. Φροντίστε να υπάρχει μόνιμη επίβλεψη από έναν ενήλικο
- Οι επισκευές/αντικαταστάσεις πρέπει να γίνονται χρησιμοποιώντας μόνο καινούργια, γνήσια ανταλλακτικά και συνδέσμους της R82 και να διεξάγονται σύμφωνα με τις κατευθυντήριες γραμμές και τα διαστήματα συντήρησης που προβλέπονται από τον προμηθευτή
- Εάν έχετε οποιαδήποτε αμφιβολία σχετικά με την περαιτέρω ασφαλή χρήση του προϊόντος της R82 ή εάν κάποιο εξάρτημα παρουσιάσει βλάβη, σταματήστε αμέσως τη χρήση του προϊόντος και επικοινωνήστε με τον τοπικό σας διανομέα το ταχύτερο δυνατό
- Διασφαλίστε ότι τα κινούμενα μέρη δεν συνθίβουν ή παγιδεύουν μέρη του σώματος κατά την προσαρμογή τους

Περιβάλλον

- Παρατηρήστε την επιφανειακή θερμοκρασία του προϊόντος, πριν την είσοδο χρήστη μέσα σε αυτό. Αυτό ισχύει ιδιαίτερα για χρήστες με αναισθητοποιημένο δέρμα, καθώς δεν μπορούν να αισθανθούν τη θερμότητα. Εάν η θερμοκρασία της επιφάνειας υπερβαίνει τους 41 °C, αφήστε το προϊόν να ψυχθεί πριν τη χρήση
- Χρησιμοποιείτε αυτό το προϊόν σε μία επίπεδη επιφάνεια χωρίς εμπόδια. Λάβετε υπόψη σας την περιορισμένη δυνατότητα ελιγμών σε ολισθηρούς δρόμους
- Όταν το προϊόν χρησιμοποιείται σε επικλινείς επιφάνειες, βλ. προδιαγραφές

Χρήστης

- Εάν ο χρήστης βρίσκεται κοντά στο μέγιστο φορτίο ή/και κάνει πολλές ακούσιες κινήσεις, π.χ. ταλαντεύσεις, θα πρέπει να αναλογιστείτε το ενδεχόμενο αγοράς του προϊόντος σε μεγαλύτερο μέγεθος και με υψηλότερο μέγιστο φορτίο ή ενός διαφορετικού προϊόντος της R82

Προϊόν

- Διεξάγετε όλες τις προσαρμογές θέσης στο προϊόν και στα παρελκόμενα και βεβαιωθείτε ότι όλες οι λαβές, οι βίδες και οι πόρτες έχουν ασφαλίσει σωστά πριν από τη χρήση. Κρατήστε όλα τα εργαλεία μακριά από παιδιά
- Ενεργοποιήστε τα φρένα προτού τοποθετήσετε το χρήστη μέσα στο προϊόν
- Διασφαλίστε τη διατήρηση της σταθερότητας του προϊόντος προτού τοποθετήσετε το χρήστη μέσα σε αυτό
- Βεβαιωθείτε ότι οι ρόδες και τα ελαστικά τους λειτουργούν άψογα και είναι ασφαλή πριν από τη χρήση
- Ελέγξτε το προϊόν και όλα τα παρελκόμενά του και αντικαταστήστε τυχόν φθαρμένα εξαρτήματα πριν από τη χρήση
- Μην εκσποσε την άνοιξη του φυσικού αερίου σε πίεση ή υψηλές θερμοκρασίες. ΜΗΝ τρυπάτε
- Μην εκθέτετε τη ράβδο του εμβόλου σε εκδορές, κτλ. Είναι σημαντικό να χρησιμοποιείτε ένα πανί ή κάτι παρόμοιο όταν χρησιμοποιείτε εργαλεία για να προσαρμόσετε το πνευματικό ελατήριο
- Το προϊόν έχει δοκιμαστεί για αντοχή στην ανάφλεξη σε επίπεδο μη ανάφλεξης σύμφωνα με τα πρότυπα EN 1021-1 και EN 1021-2
- Το προϊόν ενδέχεται να χάσει τα χαρακτηριστικά πυρανθεκτικότητάς του σε περίπτωση χρήσης μαξιλαριών άλλων από τα αυθεντικά μαξιλαρία R82
- Ο χρήστης δεν επιτρέπεται να χρησιμοποιεί το προϊόν μέσα σε ένα μηχανοκίνητο όχημα. Ο χρήστης πρέπει να τοποθετείται σε ένα κάθισμα του οχήματος και το προϊόν να φυλάσσεται στο χώρο αποσκευών
- Ο χρήστης δεν πρέπει να βρίσκεται μέσα στο προϊόν ενόσω αυτό φορτώνεται ή εκφορτώνεται από το όχημα μέσω ράμπας ανύψωσης.

Πίνακας καθηκόντων συντήρησης

Η συντήρηση μίας ιατροτεχνολογικής συσκευής αποτελεί απόλυτη ευθύνη του κατόχου αυτής της συσκευής. Η παράλειψη της συντήρησης σύμφωνα με τις οδηγίες μπορεί να οδηγήσει σε ακύρωση της εγγύησης. Επίσης, η παράλειψη της συντήρησης μπορεί να αποβεί σε βάρος της κλινικής κατάστασης ή της ασφάλειας του χρήστη ή/και του φροντιστή.

1η Ημέρα

- Διαβάστε προσεκτικά τις οδηγίες χρήσης πριν από τη χρήση του προϊόντος και φυλάξτε τις σε ασφαλές μέρος για μελλοντική χρήση
- Φυλάξτε τα εσωκλειόμενα εργαλεία επάνω ή κοντά στο εργαλείο

Ημερήσια

- Χρησιμοποιήστε ένα στεγνό πανί για να καθαρίσετε το προϊόν
- Οπτικός έλεγχος Επισκευάστε ή αντικαταστήστε εξαρτήματα που έχουν υποστεί ζημιές ή φθορές
- Βεβαιωθείτε ότι όλα τα στοιχεία σύνδεσης βρίσκονται στη θέση τους και έχουν εφαρμόσει σωστά
- Ελέγξτε όλους τους συνδέσμους και τις πόρτες για ενδείξεις φθοράς
- Λάβετε υπόψη σας τυχόν ενδείξεις οριακής θέσης προτού προβείτε σε κάποια προσαρμογή

Εβδομαδιαία

- Βεβαιωθείτε ότι όλες οι ρόδες κινούνται ελεύθερα και ότι όλοι οι μηχανισμοί κλειδώματος των ροδών/τα φρένα μπορούν να ενεργοποιηθούν εύκολα
- Σκουπίστε τυχόν υπολείμματα και ρύπους από το προϊόν ποτισμένο σε χλιαρό νερό και ήπιο απορρυπαντικό/σαπούνι χωρίς χλωρίνη και στεγνώστε πριν τη χρήση
- Απολυμάνετε το προϊόν. Ελέγξτε την ενότητα για την απολύμανση στις παρούσες Οδηγίες χρήσης για περισσότερες πληροφορίες

Μηνιαία

- Ελέγξτε και σφίξτε όλα τα παξιμάδια και τις βίδες σε αυτό το προϊόν προκειμένου να αποφύγετε περριπτές αστοχίες
- Λιπάνετε τα πτυσσόμενα εξαρτήματα. Σας συνιστούμε να χρησιμοποιήσετε ένα επαγγελματικό σύστημα λίπανσης, π.χ.

Ετήσια

- Εξετάστε το πλαίσιο για ραγίσματα ή ενδείξεις φθαρμένων εξαρτημάτων και διεξάγετε την ετήσια συντήρηση. Ποτέ μην χρησιμοποιείτε ένα προϊόν που δείχνει υποβαθμισμένο ή ελαττωματικό

Πλυντήριο εξοπλισμού

Αυτό το προϊόν μπορεί να πλυθεί στους:

- 60 °C σε 10 λεπτά
- 85 °C σε 3 λεπτά

...με χρήση ήπιου απορρυπαντικού σε πλυντήριο σχεδιασμένο για ιατρικές συσκευές. Χρησιμοποιήστε τη λειτουργία στεγνώματος του πλυντηρίου για το στέγνωμα του προϊόντος. Καθαρίστε τα εξαρτήματα ξεχωριστά.

Πριν το πλύσιμο

Αφαιρέστε τα ακόλουθα στοιχεία και καθαρίστε τα ξεχωριστά:

- Παρελκόμενα
- Υλικό πλήρωσης
- Προστατευτικά αξόνων

Απολύμανση

Το προϊόν, μπορεί να απολυμανθεί με απολυμαντικό διάλυμα IPA 70%. Συστήνεται να σκουπίστε τυχόν υπολείμματα και ρύπους από το προϊόν, χρησιμοποιώντας ύφασμα ποτισμένο σε χλιαρό νερό και ήπιο

Διάστημα συντήρησης

Ένας λεπτομερής έλεγχος του προϊόντος πρέπει να διεξάγεται κάθε 12 μήνες (κάθε 6 μήνες για χρήστες μεγάλου βάρους) και κάθε φορά που το προϊόν διατίθεται ξανά για χρήση. Ο έλεγχος πρέπει να διεξάγεται από ένα πρόσωπο με τεχνικές γνώσεις, το οποίο έχει εκπαιδευτεί στη χρήση του προϊόντος. Επικοινωνήστε με τον τοπικό διανομέα για οδηγίες που αφορούν επισκευές π.χ. για την αντιμετώπιση διάτρησης των ελαστικών των τροχών.

Ο χρόνος του προϊόντος υπό κανονική χρήση είναι 5 χρόνια, εφόσον όλες οι συντηρήσεις από το χρήστη και από τεχνικό διεξάγονται σύμφωνα με τις οδηγίες του κατασκευαστή και καταγράφονται αποδεδειγμένα.





R82 A/S

Parallevej 3
8751 Gedved
Denmark
Tel +45 79 68 58 88
Fax +45 75 66 51 92
R82@R82.com
R82.org
facebook.com/R82global/

Supplier for:
Rest of the world

R82 UK Ltd.

England
Tel. +44 (0)121 561 2222
Fax +44 (0)121 559 5437
R82uk@R82.com
R82.co.uk
facebook.com/R82UK

Supplier for:
United Kingdom, Ireland

R82 GmbH

Germany
Tel +49 (0)6132 710 70
Fax +49 (0)6132 710 710
R82de@R82.com
R82.de
facebook.com/R82.de

Supplier for:
Germany, Switzerland, Austria

R82 Nederland B.V.

The Netherlands
Tel +31 (0)513 68 16 86
Fax +31 (0)513 68 19 84
R82nl@R82.com
R82.nl
R82.be

Supplier for:
The Netherlands, Belgium

R82 Inc.

USA
Tel +1 844 876 6245
Fax +1 704 882 0751
us.info@R82.com
R82.com
facebook.com/ConvaiddR82Kids/

Supplier for:
USA, Canada

R82 au Pty Limited

Australia
Tel +61 (02) 8213 6666
Fax +61 (02) 8213 6655
R82.com.au
facebook.com/R82Australia

Supplier for:
Australia

DISTRIBUTOR: