

Wombat Living

Exploded views / Part lists

Rev. date (2023.10)

On the following pages you will find the parts used to assemble this product. Please note that some spare parts cannot be purchased individually but are part of a complete kit. Please also note that for some spare parts extra delivery time may occur.



Contents

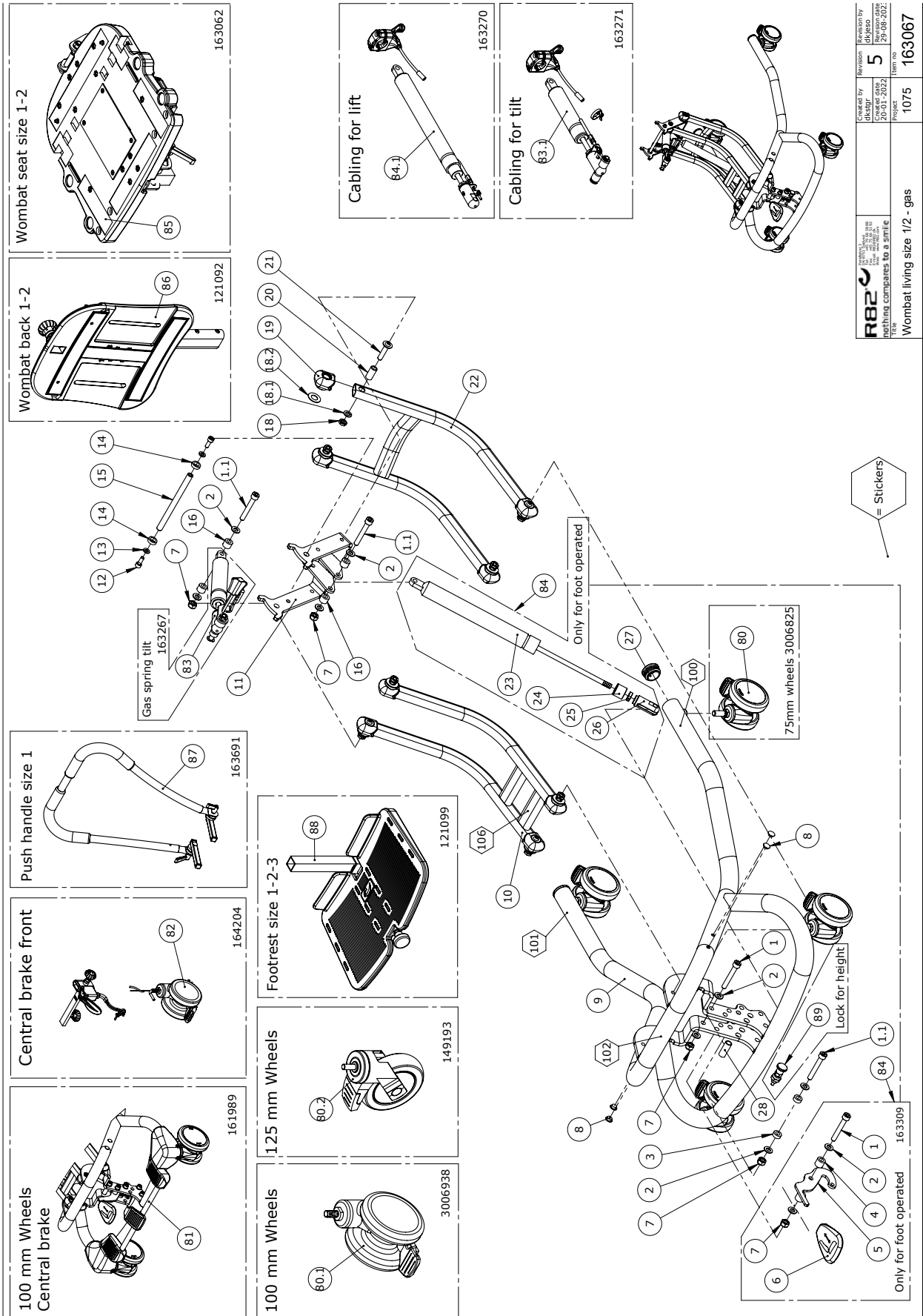
Size 1-2, gas	6
Item numbers for size 1-2, gas.....	7
Size 1-2, power	9
Item numbers for size 1-2, power	10
Size 3, gas	12
Item numbers for size 3, gas.....	13
Size 3, power	15
Item numbers for size 3, power.....	16
Size 3, hydraulic	18
Item numbers for size 3, hydraulic.....	19
Knee abduction pommel (95230-10)	20
Item numbers for Knee abduction pommel (95230-10).....	20
Pommel (95130-1, 95130-2, 95130-3, 95130-4)	21
Item numbers for Pommel (95130-1, 95130-2, 95130-3, 95130-4)	21
Anti-tipper for 75, 100 & 125 mm castors (890007, 890007-1)	22
Item numbers for Anti-tipper for 75 and 100 mm castors (890007).....	22
Swing-away arm rests, short rod, set (95112-1S)	23
Item numbers for Swing-away arm rests, short rod, set (95112-1S).....	23
Swing-away arm rests, long rod, set (95113-1S)	25
Item numbers for Swing-away arm rests, long rod, set (95113-1S)	25
Swing-away armrest (95112-1S, 95113-1S), Kit from fixed to swing-away (95112-SW)	27
Item numbers for Swing-away armrest (95112-1S, 95113-1S).....	27
Arm rests for size 1 and 2 (95112-1)	28
Item numbers for Arm rests for size 1 and 2 (95112-1)	28
Arm rests for size 1 and 2, long rod and pad (95113-1).....	29
Item numbers for Arm rests for size 1 and 2, long rod and pad (95113-1).....	29
Arm rests double rod, for size 3 (95114)	31
Item numbers for Arm rests double rod, for size 3 (95114).....	31
Arm rests double rod, for size 3, long rod and pad (95115).....	33
Item numbers for Arm rests double rod, for size 3, long rod and pad (95115).....	33
Step 1 to 2 kit, seat, size 1 (95560, 95560-SÆDEKIT).....	35
Step 1 to 2 kit, back, size 1 (95560, 95560-RYGKIT).....	36
Step 1 to 2 kit, seat, size 2 (95561, 95561-SÆDEKIT)	37

Step 1 to 2 kit, back, size 2 (95561, 95561-RYGKIT).....	38
Lumbar foam wedge (955030-1, 955030-2, 955030-3).....	39
Item numbers for Lumbar foam wedge (955030-1, 955030-2, 955030-3).....	39
Lower back extension (95140-60).....	40
Item numbers for Lower back extension (95140-60).....	40
Short to long back, size 1 (95560-1, 95560-RYGKIT)	41
Item numbers for Short to long back, size 1 (95560-1, 95560-RYGKIT).....	41
Short to long back, size 2 (95561-1, 95561-RYGKIT).....	42
Item numbers for Short to long back, size 2 (95561-1, 95561-RYGKIT).....	42
Short to long back, size 3 (95562-1)	43
Item numbers for Short to long back, size 3 (95562-1).....	43
Hand operated central brake kit for retrofitting (890011-3, 890011-4)	44
Item numbers for Hand operated central brake kit for retrofitting (890011-3, 890011-4).....	44
Foot operated central brake kit, size 1, 2 and 3, gas and power (890012-1).....	45
Item numbers for Foot operated central brake kit, size 1, 2 and 3, gas and power (890012-1).....	45
Foot operated central brake kit, size 3, hydraulic (890012-3)	46
Item numbers for Foot operated central brake kit, size 3, hydraulic (890012-3)	46
Castors with directional stabilizers (89592-KIT)	47
Item numbers for Castors with directional stabilizers (89592-KIT).....	47
Back rest cushion, standard, with cover (955031-2XX, 955032-2XX, 955033-2xx)	48
Item numbers for Back rest cushion, standard, with cover (955031-2XX, 955032-2XX, 955033-2xx)	48
Seat cushion, standard, with cover (955021-2XX, 955022-2XX, 955023-2xx)	49
Item numbers for Seat cushion, standard, with cover (955021-2XX, 955022-2XX, 955023-2xx).....	49
Back rest cushion, contoured (955031-238, 955032-238, 955033-238).....	50
Item numbers for Back rest cushion, contoured (955031-238, 955032-238, 955033-238)	50
Seat cushion, contoured (955021-238, 955022-238, 955023-238).....	51
Item numbers for Seat cushion, contoured (955021-238, 955022-238, 955023-238)	51
Foot plate with rod, size 1 (95144-0)	52
Item numbers for Foot plate with rod, size 1 (95144-0).....	52
Foot plate with rod, size 2 (95144-2)	53
Item numbers for Foot plate with rod, size 2 (95144-2).....	53
Foot plate with rod, size 3-4 (95144-3, 95144-4)	54
Item numbers for Foot plate with rod, size 3-4 (95144-3, 95144-4).....	54
Foot plate without mounting fitting, Foot plate with 100 mm mounting fitting, size 2 (95145-1, 85145-2, 95145-2).....	55

Item numbers for Foot plate without mounting fitting, Foot plate with 100 mm mounting fitting, size 2 (95145-1, 85145-2, 95145-2)	55
Foot plate with 100 mm mounting fitting, size 3-4 (95145-3, 95145-4)	56
Item numbers for Foot plate without mounting fitting, Foot plate with 100 mm mounting fitting, size 2 (95145-1, 85145-2, 95145-2)	56
Foot plate padding (95145-1PAD, 95145-2PAD, 95145-3PAD)	57
Item numbers for Foot plate padding (95145-1PAD, 95145-2PAD, 95145-3PAD)	57
Foot box kit - plate corners and padding for foot plate (95145-1BOX, 95145-2BOX, 95145-3BOX) ...	58
Item numbers for Foot box kit - plate corners and padding for foot plate (95145-1BOX, 95145-2BOX, 95145-3BOX)	58
Strap for foot box (95145-20)	59
Item numbers for Strap for foot box (95145-20)	59
Padding for foot plate rod (95245-150)	60
Item numbers for Padding for foot plate rod (95245-150)	60
Helper's handles, fold down (95145)	61
Item numbers for Helper's handles, fold down (95145)	61
Angle adjustable push brace, seat mounted for size 1+2 (95148-0)	62
Item numbers for Angle adjustable push brace, seat mounted for size 1+2 (95148-0)	62
Angle adjustable push brace, seat mounted for size 3 (95148-3)	63
Item numbers for Angle adjustable push brace, seat mounted for size 3 (95148-3)	63
Angle adjustable push brace (95147)	64
Item numbers for Angle adjustable push brace (95147)	64
Lock of height adjustment (890024)	65
Item numbers for Lock of height adjustment (890024)	65
Hip supports (95110-1, 95111-1)	66
Item numbers for Hip supports (95110-1, 95111-1)	66
Pelvis support with sides, size 1 (95140-64)	67
Item numbers for Pelvis support with sides, size 1 (95140-64)	67
Pelvis support with sides, size 2 (95140-65)	68
Item numbers for Pelvis support with sides, size 2 (95140-65)	68
Pelvis support with sides, size 3 (95140-66)	69
Item numbers for Pelvis support with sides, size 3 (95140-66)	69
Pelvis support without sides, size 1-2 (95140-61)	70
Item numbers for Pelvis support without sides, size 1-2 (95140-61)	70
Pelvis support without sides, size 3 (95140-63)	71
Item numbers for Pelvis support without sides, size 3 (95140-63)	71
Fixed side supports, with covers (95121)	72

Item numbers for Fixed side supports, with covers (95121)	72
Holder for remote (95541)	73
Item numbers for Holder for remote (95541)	73
Threshold assistance (890025, 890026)	74
Item numbers for Threshold assistance (890025, 890026).....	74
Tilt lever kit for retrofitting on push brace, size 1-2 (163271, 95149).....	75
Item numbers for Tilt lever kit for retrofitting on push brace, size 1-2 (163271, 95149)	75
Tray shape 4, tray shape 5 (95125, 95126).....	76
Item numbers for Tray shape 4, transparent, without edge (95125).....	76
Tray shape 8, with edge (8976350).....	77
Item numbers for Tray shape 8, with edge (8976350).....	77
Fix locks for seat (95710).....	78
Item numbers for Fix locks for seat (95710)	78
Battery (2222110)	79
Item numbers for Battery (2222110)	79
Charger with plugs (2222161).....	80
Item numbers for Charger with plugs (2222161).....	80

Size 1-2, gas



 R82 Designing ergonomics to a smile	Created by 20-01-2022	Revison 5	Revision by dk/bsa
	Project 1075	Item 163067	Date 29-08-2022

Stickers

© 2022 Wombat Living. All rights reserved.

Item numbers for size 1-2, gas

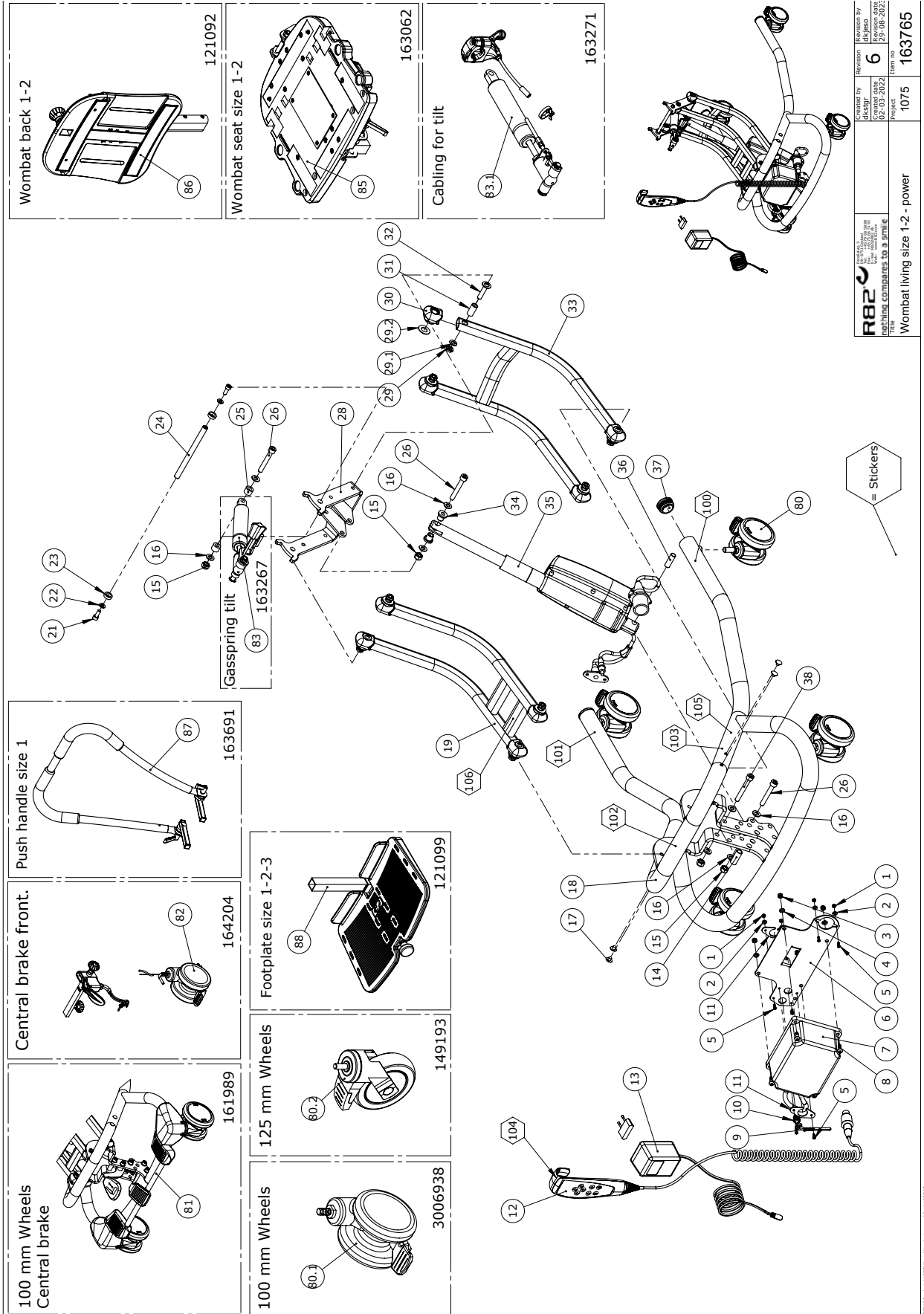
Position	No.	Description	Quantity	Unit of Measure	Ean code
1	0603600	Insex screw 8*55	1	PSC	5707292138262
1.1	0615011	Insex M8*55 fzb shortened	3	PSC	5707292928023
2	1103200	Fazet washer 8*16*1,5mm, FZB	8	PSC	5707292140296
3	1350000	Distancepart black 6*15*8,2 mm	2	PSC	5707292140876
7	1607000	Lock nut 8mm, large pack	4	PSC	5707292141378
8	1310508	DR. fastener - afd. prop	4	PSC	5707292829795
9*	134813-04	Complete frame - size 1, Black	1	PSC	5707292895967
	134813-10	Complete frame - size 1, White	1	PSC	5707292908476
	134813-35	Complete frame - size 1, Antrachite grey	1	PSC	5707292908469
10*	135749-04	Upper arm - size 1/2, Black	1	PSC	5707292883742
	135749-10	Upper arm - size 1/2, White	1	PSC	5707292883704
	135749-35	Upper arm - size 1/2, Antrachite grey	1	PSC	5707292908452
11	140633-04	Tip brace High-low size 1-2	1	PSC	5707292907479
12	0602200	Insex screw 6*16	2	PSC	5707292138095
13	1105060	SS washer M6 6,4*12*1,6	2	PSC	5707292140357
14	1350040	Distancepart black 15x5x10,5mm	2	PSC	5707292911162
15	140826	Shaft - adaptor	1	PSC	5707292907851
16	1350021	Distance piece 11*15*8,2mm	4	PSC	5707292140890
18	1750800	Lock nut, stainless M8	8	PSC	5707292141484
18.1	1101050	Spring washer M8, wavy FZB	8	PCS	5707292458667
18.2	6108191	Plastic washer - black	8	PSC	5707292986368
19	136960	Endbush for arm	8	PSC	5707292907684
20	135399	Bushing	8	PSC	5707292913142
21	0663037	Pan Head black zink M8x35	8	PSC	5707292983367
22*	135738-04	Lower arm - size 1/2, Black	1	PSC	5707292883759
	135738-10	Lower arm - size 1/2 White	1	PSC	5707292906915
	135738-35	Lower arm - size 1/2, Antrachite grey	1	PSC	5707292906922
27	3501860	Dupsko DPD32	2	PSC	5707292840097
28	140344	Distance bushing	1	PSC	5707292911261
80	3006825	75mm wheel w/brake, black	4	PSC	5707292371393
80.1	3006938	100mm double wheel with brake	4	PSC	5707292574930
80.2	149193	125 mm Wheel with bolt+washer	4	PSC	5707292911193
81	161989	High/low size 1, central brake	1	PSC	5707292944191
82	164204-1/2	Central brake on front	1	PSC	5707292954244
83	163267	Gas spring size 1+2 Tilt	1	PSC	5707292948373
83.1	163271	Gas spring size 1-2 tilt cable	1	PSC	5707292948397
84	163309	Foot operated Gascylinder 1-2	1	PSC	5707292948403
84.1	163270	Gas spring size 1-2 Lift cable	1	PSC	5707292948380
85*	163062-1	seat size 1	1	PSC	5707292948038
	163062-2	seat size 2	1	PSC	5707292948076
86*	121092-11	Wombat back size 1	1	PSC	5707292807533
	121092-21	Wombat back size 2	1	PSC	5707292622822
	121092-5	Wombat size 1 with high back	1	PSC	5707292784827
	121092-6	Wombat size 2 with high back	1	PSC	5707292784834
87	163691	Push handle complete str 1	1	PSC	5707292948823
88*	121099-1	Footrest Wombat size 1	1	PSC	5707292622884
	121099-2	Footrest Wombat size 2	1	PSC	5707292623027
89	150266	Lock for lift gas	1	PSC	5707292915368

* Choose color/size

Position	No.	Description	Quantity	Unit of Measure	Ean code
100*	0494608	Wombat Living, Silver	1	PSC	5707292947109
	0494999	Wombat Living, Black	1	PSC	5707292947116
101*	0494614	R82 by Etac logo - Silver	1	PSC	5707292921611
	0494619	R82 by Etac logo - Black	1	PSC	5707292921994
102*	0494615	Size 1 - Silver	1	PSC	5707292921628
	0494616	Size 2 - Silver	1	PSC	5707292921635
	0494609	Size 1 - Black	1	PSC	5707292922007
	0494616	Size 2 - Silver	1	PSC	5707292921635
106	0493437	Label "exclamation mark"	1	PSC	5707292136909

* Choose color/size

Size 1-2, power



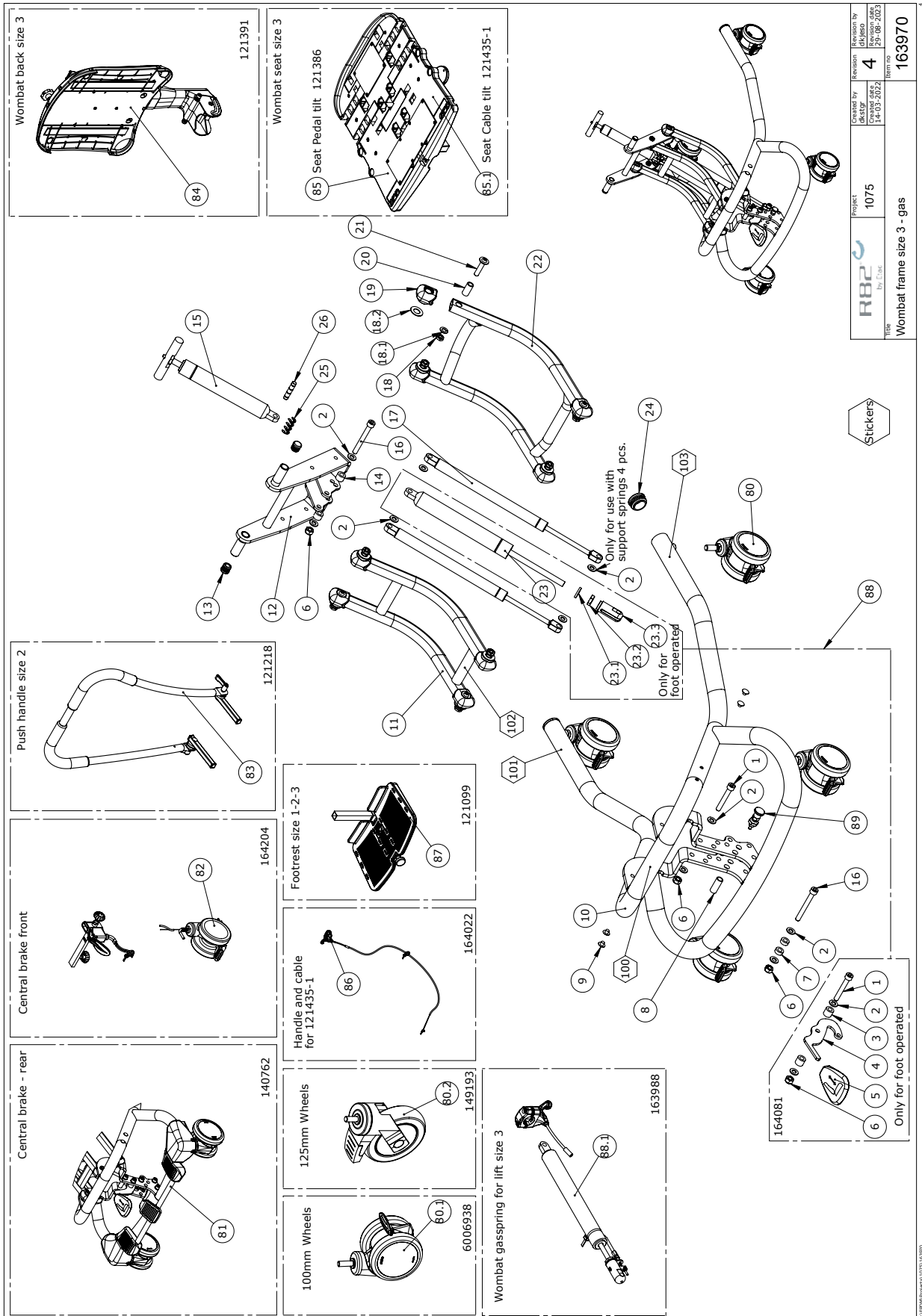
<p>R82 Engineering companies to a smile</p>	Created by	Revision	Revision By
	02-09-2022	6	02-09-2022
	Project	Item no.	Item no.
	1075	163765	163765

Item numbers for size 1-2, power

Position	No.	Description	Quantity	Unit of Measure	Ean code
1	1606250	Self-locking nut 3mm	6	PCS	5707292408396
2	1102800	Fazet washer 4mm	6	PCS	5707292140265
3	1606300	Lock nut 5 mm	4	PCS	5707292141354
4	1102902	Washer 5mm, A2	4	PCS	5707292411280
5	1902595	Crosshead screw M3*12, FZB	6	PCS	5707292565099
6	136851	Bracket batteri	1	PCS	5707292911216
7	2222110	Power unit ba18027	1	PCS	5707292492258
8	1902760	Cross-headed screw 5*16 mm	0	PCS	5707292142146
9	138882	Elastic band with clamp	1	PCS	5707292912879
10	2222112	Plug for battery box	1	PCS	5707292913241
11	138368	Reinforcement plate	2	PCS	5707292911223
12	2222089	Hand control HB30	1	PCS	5707292795489
13	2222161	Charger with plugs	1	PCS	5707292574046
14	140344	Distance bushing	1	PCS	5707292911261
15	1607000	Lock nut 8mm, large pack	5	PCS	5707292141378
16	1103200	Fazet washer 8*16*1,5mm, FZB	9	PCS	5707292140296
17	1310508	DR. fastener - afd. prop	4	PCS	5707292829795
18*	134813-10	Complete frame - size 1, White	1	PCS	5707292908476
	134813-04	Complete frame - size 1, Black	1	PCS	5707292895967
19*	135749-10	Upper arm - size 1/2, White	1	PCS	5707292883704
	135749-04	Upper arm - size 1/2, Black	1	PCS	5707292883742
21	0602200	Insex screw 6*16	2	PCS	5707292138095
22	1105060	SS washer M6 6,4*12*1,6	2	PCS	5707292140357
23	1350040	Distancepart black 15x5x10,5mm	2	PCS	5707292911162
24	140826	Shaft - adaptor	1	PCS	5707292907851
25	1350021	Distance piece 11*15*8,2mm	2	PCS	5707292140890
26	0615011	Insex M8*55 fzb shortened	3	PCS	5707292928023
28	140633-04	Tip brace High-low size 1-2	1	PCS	5707292907479
29	1750800	Lock nut, stainless M8	8	PCS	5707292141484
29.1	1101050	Spring washer M8, wavy FZB	8	PCS	5707292458667
29.2	6108191	Plastic washer - black	8	PSC	5707292986368
30	136960	Endbush for arm	8	PCS	5707292907684
31	135399	Bushing	8	PCS	5707292913142
32	0663037	Pan Head black zink M8x35	8	PCS	5707292983367
33*	135738-10	Lower arm - size 1/2 White	1	PCS	5707292906915
	135738-04	Lower arm - size 1/2, Black	1	PCS	5707292883759
34	82848	Bush	2	PCS	5707292125484
35	2222144	Actuator LA28 f/Wombat 1+2	1	PCS	5707292903600
36	P-6108200	Plast tube pa11 Ø10/Ø8mmx30mm	1	PCS	5707292585424
37	3501860	Dupsko DPD32	2	PCS	5707292840097
38	0603660	Insex screw 8*60	1	PCS	5707292138279
80	3006825	75mm wheel w/brake, black	4	PCS	5707292371393
80.1	3006938	100mm double wheel with brake	2	PCS	5707292574930
80.2	149193	125 mm Wheel with bolt+washer	4	PCS	5707292911193
81	161989	High/low size 1, central brake	1	PCS	5707292944191
83	163267	Gas spring size 1+2 Tilt	1	PCS	5707292948373
83.1	163271	Gas spring size 1-2 tilt cable	1	PCS	5707292948397
* Choose color/size					

Position	No.	Description	Quantity	Unit of Measure	Ean code
85*	163062-1	seat size 1	1	PCS	5707292948038
	163062-2	seat size 2	1	PCS	5707292948076
86*	121092-1	Wombat back size 1	1	PCS	5707292622808
	121092-21	Wombat back size 2	1	PCS	5707292622822
	121092-6	Wombat size 2 with high back	1	PCS	5707292784834
87	163691	Push handle complete str 1	1	PCS	5707292948823
88*	121099-1	Footrest Wombat size 1	1	PCS	5707292622884
	121099-2	Footrest Wombat size 2	1	PCS	5707292623027
100	0494999	Wombat Living - black	1	PCS	5707292947116
101	0494619	R82 by Etac logo - Black	1	PCS	5707292921994
102*	0494609	Size 1 - Black	1	PCS	5707292922007
	0494656	Str. mærke til high-low:xo	1	PCS	5707292930743
103	0494089	IP/BF sticker	1	PCS	5707292795809
104	0492119	Sticker handcontrol HLeI Womb	1	PCS	5707292552594
105	0494648	HLXO-WL-CA Conditions	1	PCS	5707292924490
106	0493437	Label "exclamation mark"	1	PCS	5707292136909
* Choose color/size					

Size 3, gas



Project	1075	Revised by	dkkkr	Revision date	29-08-2023
Revision	4	Revised by	dkkkr	Revision date	29-08-2023
Part no.	163970				
Title: Wombat frame size 3 - gas					

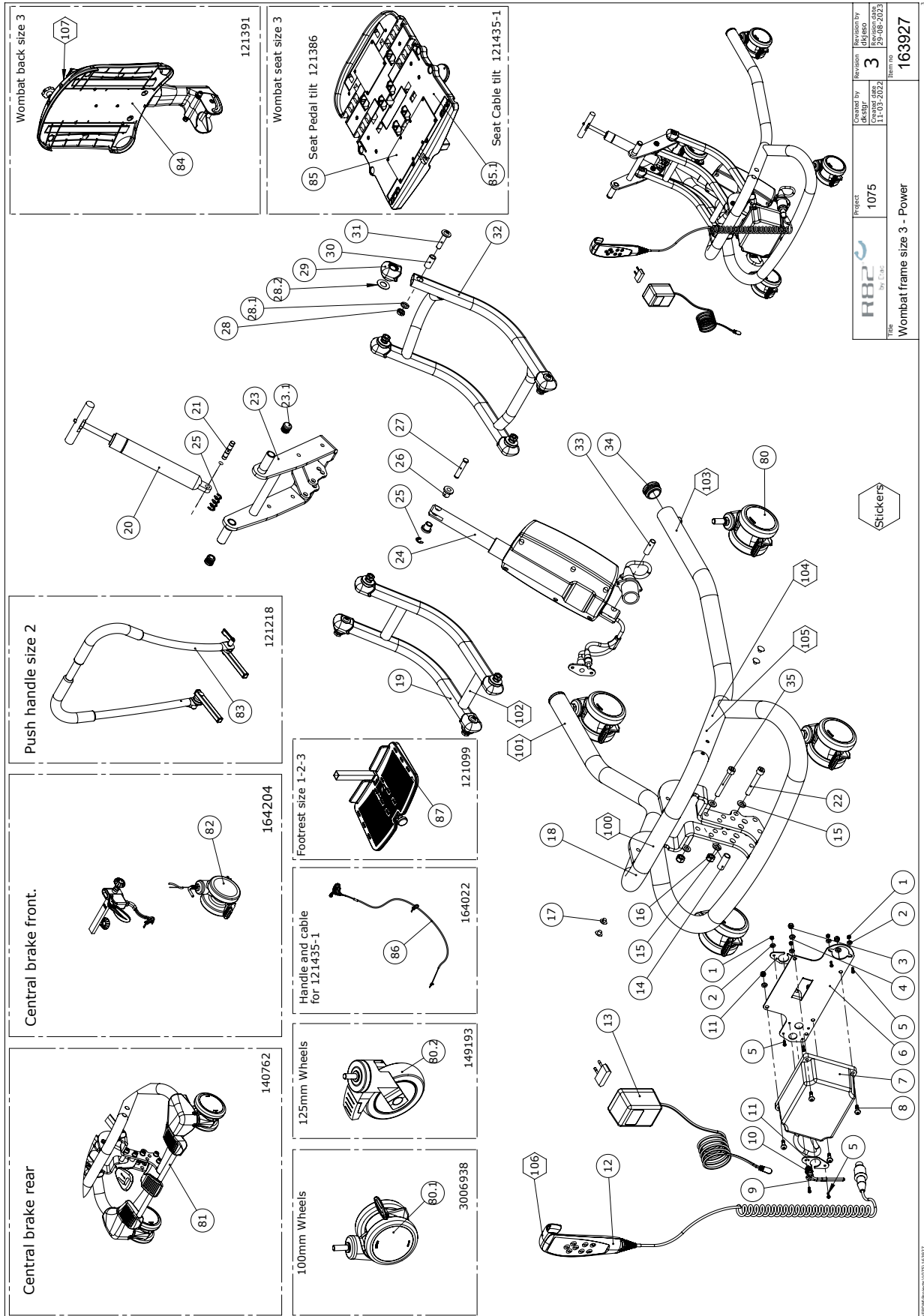
Item numbers for size 3, gas

Position	No.	Description	Quantity	Unit of Measure	Ean code
1	0603600	Insex screw 8*55	1	PCS	5707292138262
2	1103200	Fazet washer 8*16*1,5mm, FZB	10	PCS	5707292140296
3	1350023	Distance piece, black	2	PCS	5707292140913
4	152830	Lever arm low	1	PCS	5707292924513
5	142199-1	Release Pedal	1	PCS	5707292910783
6	1607000	Lock nut 8mm, large pack	3	PCS	5707292141378
7	1350000	Distancepart black 6*15*8,2 mm	2	PCS	5707292140876
8	140344	Distance bushing	1	PCS	5707292911261
9	1310508	DR. fastener - afd. prop	4	PCS	5707292829795
10*	134813-04	Complete frame - size 1, Black	1	PCS	5707292895967
	134813-10	Complete frame - size 1, White	1	PCS	5707292908476
	134813-35	Complete frame - size 1, Anthracite	1	PCS	5707292908469
11*	140189-04	Upper arm H/L sz3 Power, Black	1	PCS	5707292903372
	140189-10	Upper arm H/L sz3 Power, White	1	PCS	5707292931177
	140189-35	Upper arm H/L sz3 Power, Anthracite	1	PCS	5707292954565
12	142049-04	Wombat tip brace size 3	1	PCS	5707292908636
13	2501600	Ferrule d15*1,0 black	2	PCS	5707292143969
14	1350021	Distance piece 11*15*8,2mm	2	PCS	5707292140890
15	140518	Gas spring tilt sæde size 3	1	PCS	5707292952448
16	0603700	Insex screw 8*70	2	PCS	5707292138293
17	2202860	Lift-O-Mat 887936, 250N	2	PCS	5707292948502
18	1750800	Lock nut, stainless M8	8	PCS	5707292141484
18.1	1101050	Spring washer M8, wavy FZB	8	PCS	5707292458667
18.2	6108191	Plastic washer - black	8	PSC	5707292986368
19	136960	Endbush for arm	8	PCS	5707292907684
20	135399	Bushing	8	PCS	5707292913142
21	0663037	Pan Head black zink M8x35	8	PCS	5707292983367
22*	140188-04	Lower arm sz3 Power, Black	1	PCS	5707292903358
	140188-10	Lower arm sz3 Power, White	1	PCS	5707292931184
	140188-35	Lower arm sz3 Power, Anthracite	1	PCS	5707292954558
23	2205310	Bloc-O-Lift, 778232, 1000N	1	PCS	5707292950581
23.1	1310712	Nylon washer, nature	1	PCS	5707292356345
23.2	1761000	Counter nut 10*1,0 fine thread	1	PCS	5707292141538
23.3	6118822	Horizontal release	1	PCS	5707292186744
24	3501860	Dupsko DPD32	2	PCS	5707292840097
25	1145070	Lock washer 7mm	4	PCS	5707292140586
26	80924	Ø8*40 spec locking pin,wombat	1	PCS	5707292111401
80	3006825	75mm wheel w/brake, black	4	PCS	5707292371393
80.1	3006938	100mm double wheel with brake	2	PCS	5707292574930
80.2	149193	125 mm Wheel with bolt+washer	4	PCS	5707292911193
81	150133	High/low size 2-3 Hyd. CB	1	PCS	5707292914477
82	164204-3	Central brake on front	1	PCS	5707292954268
83	121218	Håndbøjle str 2 complete	1	PCS	5707292624178
84	121391	Wombat Living back size 3	1	PCS	5707292624161
85	121386-1	Wombat living seat size 3	1	PCS	5707292805362
85.1	121435-1 TILTBØ	Seat size 3 tilt on brace	1	PCS	5707292805379
86	164022	handle and Cable, tilt	1	PCS	5707292952325

* Choose color/size

Position	No.	Description	Quantity	Unit of Measure	Ean code
87	121099-3	Footrest Wombat size 3	1	PCS	5707292623034
88	164081	Foot operated Gascylinder 3	1	PCS	5707292952349
88.1	163988	Gas spring size 3 lift cable	1	PCS	5707292952424
89	150266	Lock for lift gas	1	PCS	5707292915368
100*	0494617	Size 3 - Silver	1	PCS	5707292921642
	0494657	Str. 3 mærke til high-low:xo, Black	1	PCS	5707292930750
101*	0494614	R82 by Etac logo - Silver	1	PCS	5707292921611
	0494619	R82 by Etac logo - Black	1	PCS	5707292921994
	0494614	R82 by Etac logo - Silver	1	PCS	5707292921611
102	0493437	Label "exclamation mark"	1	PCS	5707292136909
103*	0494608	Wombat Living - Silver	1	PCS	5707292947109
	0494999	Wombat Living - Black	1	PCS	5707292947116
* Choose color/size					

Size 3, power



Project R82 By Etac	Project 1075	Created by DKKKT 31-03-2022	Revision by DKKKT 29-08-2023	Revision 3
	Item no 163927			

Stickers

© Etac/Powermax 1075/163927

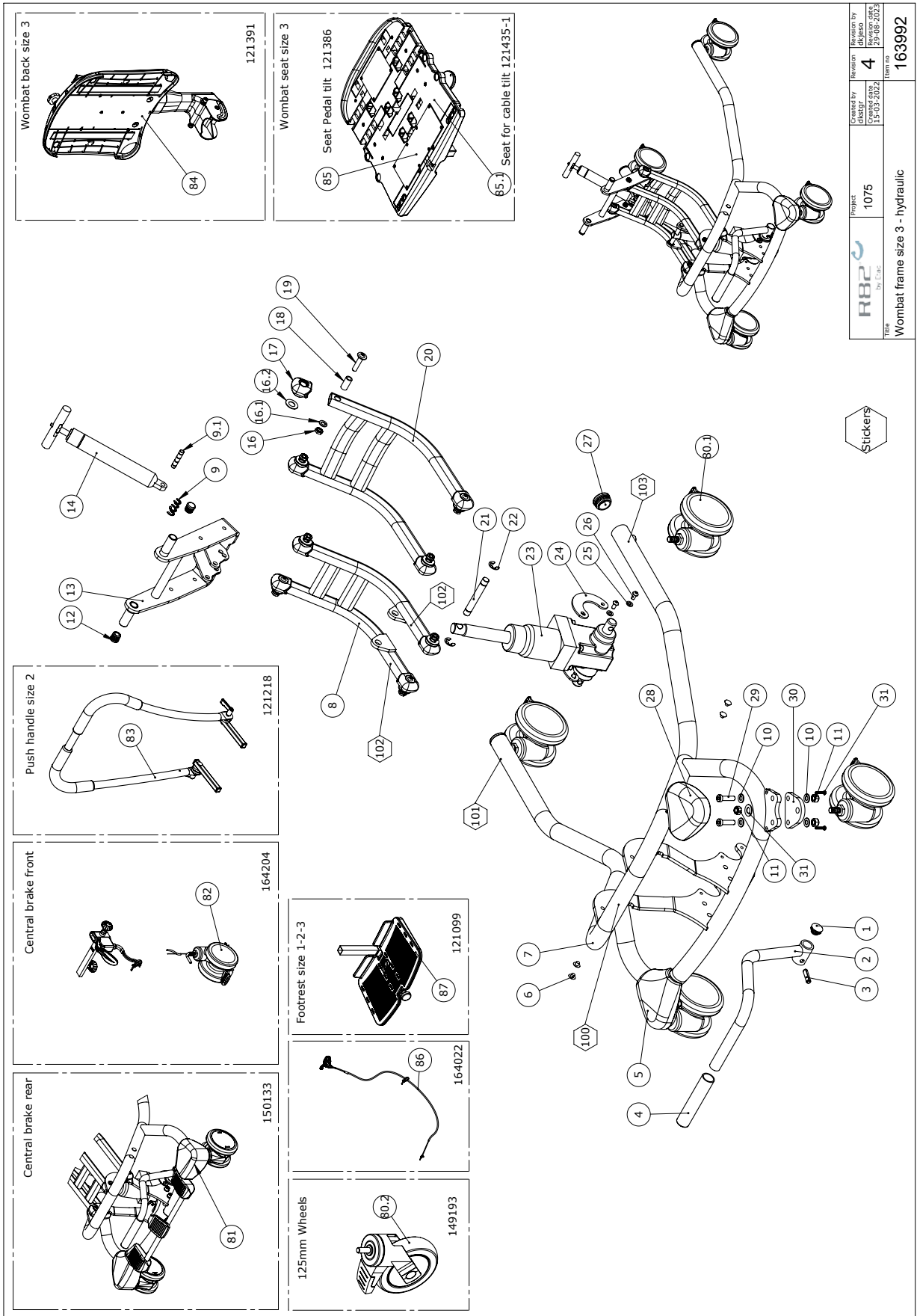
Item numbers for size 3, power

Position	No.	Description	Quantity	Unit of Measure	Ean code
1	1606250	Self-locking nut 3mm	6	PCS	5707292408396
2	1102800	Fazet washer 4mm	6	PCS	5707292140265
3	1606300	Lock nut 5 mm	4	PCS	5707292141354
4	1102902	Washer 5mm, A2	4	PCS	5707292411280
5	1902595	Crosshead screw M3*12, FZB	6	PCS	5707292565099
6	136851	Bracket batteri	1	PCS	5707292911216
7	2222110	Power unit ba18027	1	PCS	5707292492258
8	1902760	Cross-headed screw 5*16 mm	4	PCS	5707292142146
9	138882	Elastic band with clamp	1	PCS	5707292912879
10	2222112	Plug for battery box	1	PCS	5707292913241
11	138368	Reinforcement plate	2	PCS	5707292911223
12	2222089	Hand control HB30	1	PCS	5707292795489
13	2222161	Charger with plugs	1	PCS	5707292574046
14	140344	Distance bushing	1	PCS	5707292911261
15	1103200	Fazet washer 8*16*1,5mm, FZB	4	PCS	5707292140296
16	1607000	Lock nut 8mm, large pack	2	PCS	5707292141378
17	1310508	DR. fastener - afd. prop	4	PCS	5707292829795
18*	134813-04	Complete frame - size 1, Black	1	PCS	5707292895967
	134813-35	Complete frame - size 1, Anthracite	1	PCS	5707292908469
19*	140189-04	Upper arm H/L sz3 Power, Black	1	PCS	5707292903372
	140189-35	Upper arm H/L sz3 Power, Anthracite	1	PCS	5707292954565
20	140518	Gas spring tilt sæde size 3	1	PCS	5707292952448
21	80924	Ø8*40 spec locking pin,wombat	1	PCS	5707292111401
22	0615011	Insex M8*55 fzb shortened	1	PCS	5707292928023
23	142049-04	Wombat tip brace size 3	1	PCS	5707292908636
23.1	2501600	Ferrule d15*1,0 black	2	PCS	5707292143969
24	2222145	Actuator LA32 f/ HL3 + Wombat3	1	PCS	5707292903617
25	1145070	Lock washer 7mm	5	PCS	5707292140586
26	82848	Bush	2	PCS	5707292125484
27	140441	Lock pin	1	PCS	5707292911278
28	1750800	Lock nut, stainless M8	8	PCS	5707292141484
28.1	1101050	Spring washer M8, wavy FZB	8	PCS	5707292458667
28.2	6108191	Plastic washer - black	8	PSC	5707292986368
29	136960	Endbush for arm	8	PCS	5707292907684
30	135399	Bushing	8	PCS	5707292913142
31	0663037	Pan Head black zink M8x35	8	PCS	5707292983367
32*	140188-04	Lower arm sz3 Power, Black	1	PCS	5707292903358
	140188-35	Lower arm sz3 Power, Anthracite	1	PCS	5707292954558
33	P-6108200	Plast tube pa11 Ø10/Ø8mmx30mm	1	PCS	5707292585424
34	3501860	Dupsko DPD32	2	PCS	5707292840097
35	0603660	Insex screw 8*60	1	PCS	5707292138279
80	3006825	75mm wheel w/brake, black	4	PCS	5707292371393
80.1	3006938	100mm double wheel with brake	2	PCS	5707292574930
80.2	149193	125 mm Wheel with bolt+washer	4	PCS	5707292911193
81	150133	High/low size 2-3 Hyd. CB	1	PCS	5707292914477
82	164204-3	Central brake on front	1	PCS	5707292954268
83	121218	Håndbøjle str 2 complete	1	PCS	5707292624178

* Choose color/size

Position	No.	Description	Quantity	Unit of Measure	Ean code
84*	121391	Wombat Living back size 3	1	PCS	5707292624161
	121391-7	back size 3 with high back	1	PCS	5707292784841
85	121386-1	Wombat living seat size 3	1	PCS	5707292805362
85.1	121435-1 TILTBØ	Seat size 3 tilt on brace	1	PCS	5707292805379
86	164022	handle and Cable, tilt	1	PCS	5707292952325
87	121099-3	Footrest Wombat size 3	1	PCS	5707292623034
100	0494617	Size 3 - Silver	1	PCS	5707292921642
101	0494614	R82 by Etac logo - Silver	1	PCS	5707292921611
102	0493437	Label "exclamation mark"	1	PCS	5707292136909
103	0494608	Wombat Living - silver	1	PCS	5707292947109
104	0494648	HLXO-WL-CA Conditions	1	PCS	5707292924490
105	0494089	IP/BF sticker	1	PCS	5707292795809
106	0492119	Sticker handcontrol HLeI Womb	1	PCS	5707292552594
107	0494087	Label - No pushing	1	PCS	5707292786371
* Choose color/size					

Size 3, hydraulic

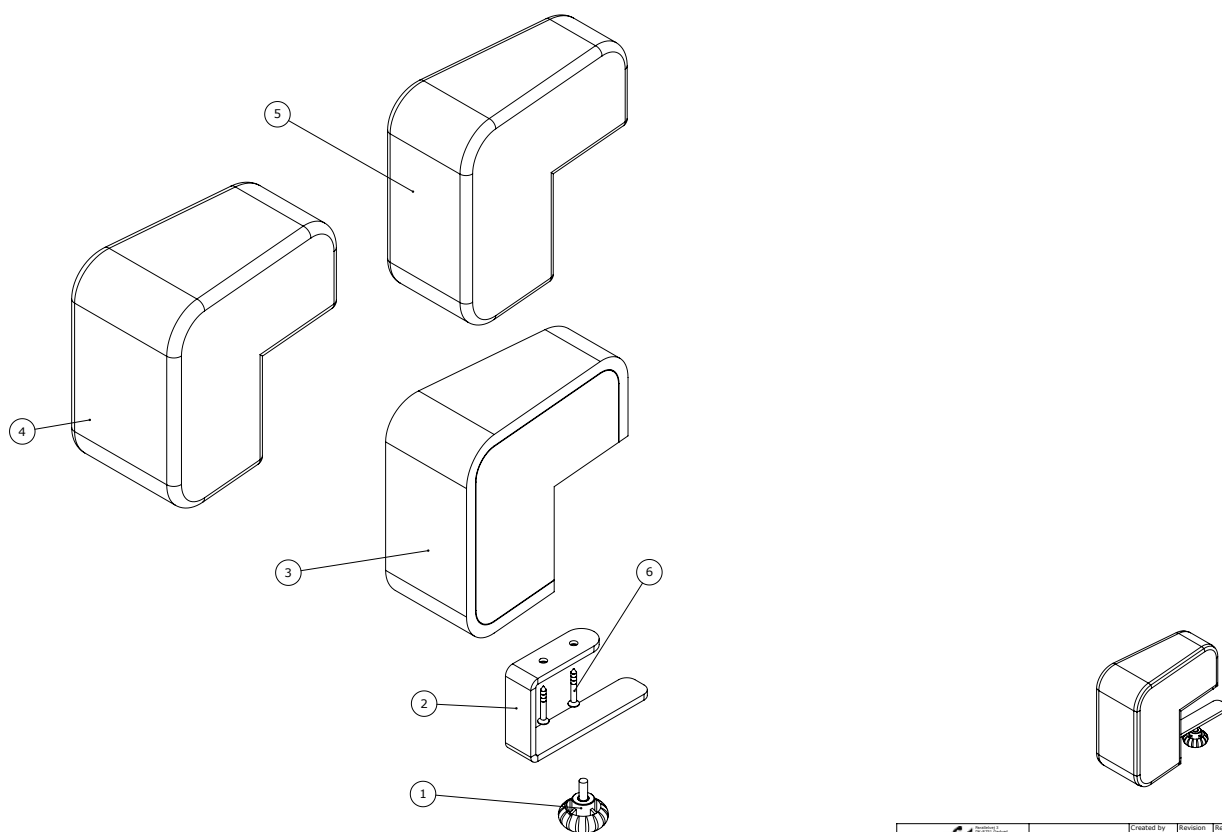



Item numbers for size 3, hydraulic

Position	No.	Description	Quantity	Unit of Measure	Ean code
1	2503010	Ferrule d22*1,8-3,5, black	1	PCS	5707292357632
2	139936-04	Pump lever	1	PCS	5707292908926
3	0584490	Stift din 1481 8*30 rf	1	PCS	5707292473356
4	2500516	Grip 87.00 mm length	1	PCS	5707292356727
5	139838	High/Low 2-3 standard cover L	1	PCS	5707292907677
6	1310508	DR. fastener - afd. prop	4	PCS	5707292829795
7	140417-04	Complete frame size2 hydraulic	1	PCS	5707292903433
8	140424-04	Upper arm H/L sz3 Hydraulic	1	PCS	5707292903396
9	1145070	Lock washer 7mm	4	PCS	5707292140586
9.1	80924	Ø8*40 spec locking pin,wombat	1	PCS	5707292111401
10	1103200	Fazet washer 8*16*1,5mm, FZB	8	PCS	5707292140296
11	1607000	Lock nut 8mm, large pack	6	PCS	5707292141378
12	2501600	Ferrule d15*1,0 black	2	PCS	5707292143969
13	142049-04	Wombat tip brace size 3	1	PCS	5707292908636
14	140518	Gas spring tilt sæde size 3	1	PCS	5707292952448
16	1750800	Lock nut, stainless M8	8	PCS	5707292141484
16.1	1101050	Spring washer M8, wavy FZB	8	PCS	5707292458667
16.2	6108191	Plastic washer - black	8	PSC	5707292986368
17	136960	Endbush for arm	8	PCS	5707292907684
18	135399	Bushing	8	PCS	5707292913142
19	0663037	Pan Head black zink M8x35	8	PCS	5707292983367
20	140126-04	Lower arm H/L sz3 Hydraulic	1	PCS	5707292903334
21	140387	Lock pin for hydraulics	1	PCS	5707292911285
22	1145095	lock ring for10mm,din 6799, rf	2	PCS	5707292473332
23	2208000	Compact mk5 hydraulic pump	1	PCS	5707292461148
24	75615-04	Overlay	2	PCS	5707292914163
25	1105060	SS washer M6 6,4*12*1,6	4	PCS	5707292140357
26	0641205	Button head screw 6*12	4	PCS	5707292597717
27	3501860	Dupsko DPD32	2	PCS	5707292840097
28	139826	High/Low 2-3 standard cover R	1	PCS	5707292907660
29	0603536	Insex lov head M8x30	4	PCS	5707292575326
30	139619	Adaptor for indoor wheels sz2	2	PCS	5707292911209
31	0610620	screw ø3,5x20 DELTA PT A2	2	PCS	5707292903778
80.1	3006938	100mm double wheel with brake	2	PCS	5707292574930
80.2	149193	125 mm Wheel with bolt+washer	4	PCS	5707292911193
81	150133	High/low size 2-3 Hyd. CB	1	PCS	5707292914477
82	164204-3	Central brake on front	1	PCS	5707292954268
83	121218	Håndbøjle str 2 complete	1	PCS	5707292624178
84*	121391	Wombat Living back size 3	1	PCS	5707292624161
	121391-7	back size 3 with high back	1	PCS	5707292784841
85	121386-1	Wombat living seat size 3	1	PCS	5707292805362
85.1	121435-1 TILTBØ	Seat size 3 tilt on brace	1	PCS	5707292805379
86	164022	handle and Cable, tilt	1	PCS	5707292952325
87	121099-3	Footrest Wombat size 3	1	PCS	5707292623034
100	0494617	Size 3 - Silver	1	PCS	5707292921642
101	0494614	R82 by Etac logo - Silver	1	PCS	5707292921611
102	0493437	Label "exclamation mark"	2	PCS	5707292136909
103	0494608	Wombat Living - silver	1	PCS	5707292947109

* Choose color/size

Knee abduction pommel (95230-10)

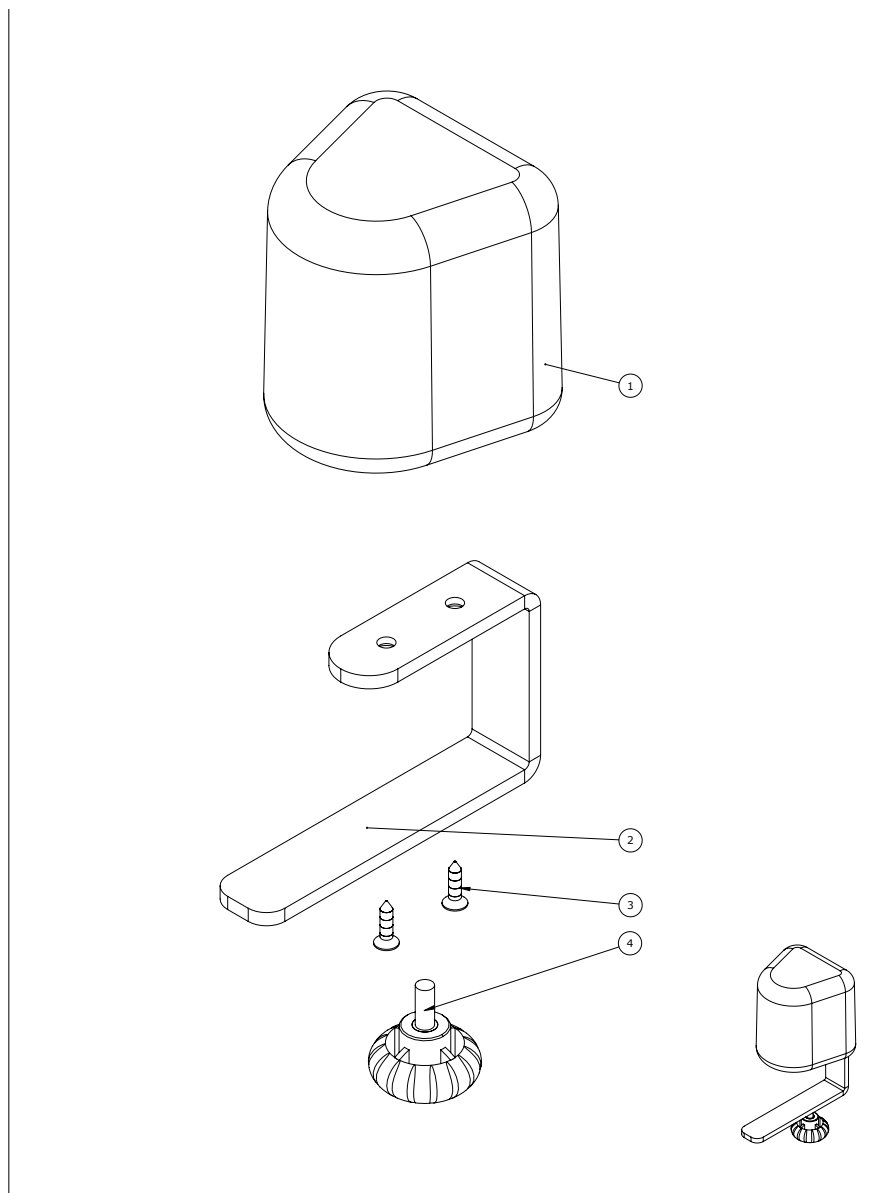


 <small>nothing compares to a smile!</small>	Created by	sof	Revision	1	Revision by	sof
	Created date	04-08-2016	Release date	27-09-2016		
Title	Pommel assembly		Project	1020	Item no.	121830

Item numbers for Knee abduction pommel (95230-10)

Position	No.	Description	Quantity	Unit of Measure	Ean code
1	3652501	R82 handle M6*16mm screw	1	PCS	5707292413963
2	82978	Pommel brace Wombat	1	PCS	5707292126221
3	113633	Pommel with foam	1	PCS	5707292600882
4	95430-10160	Cover f. knee abduction pommel	1	PCS	5707292600646
6	1811275	Cutting screw 4*30mm	2	PCS	5707292141743

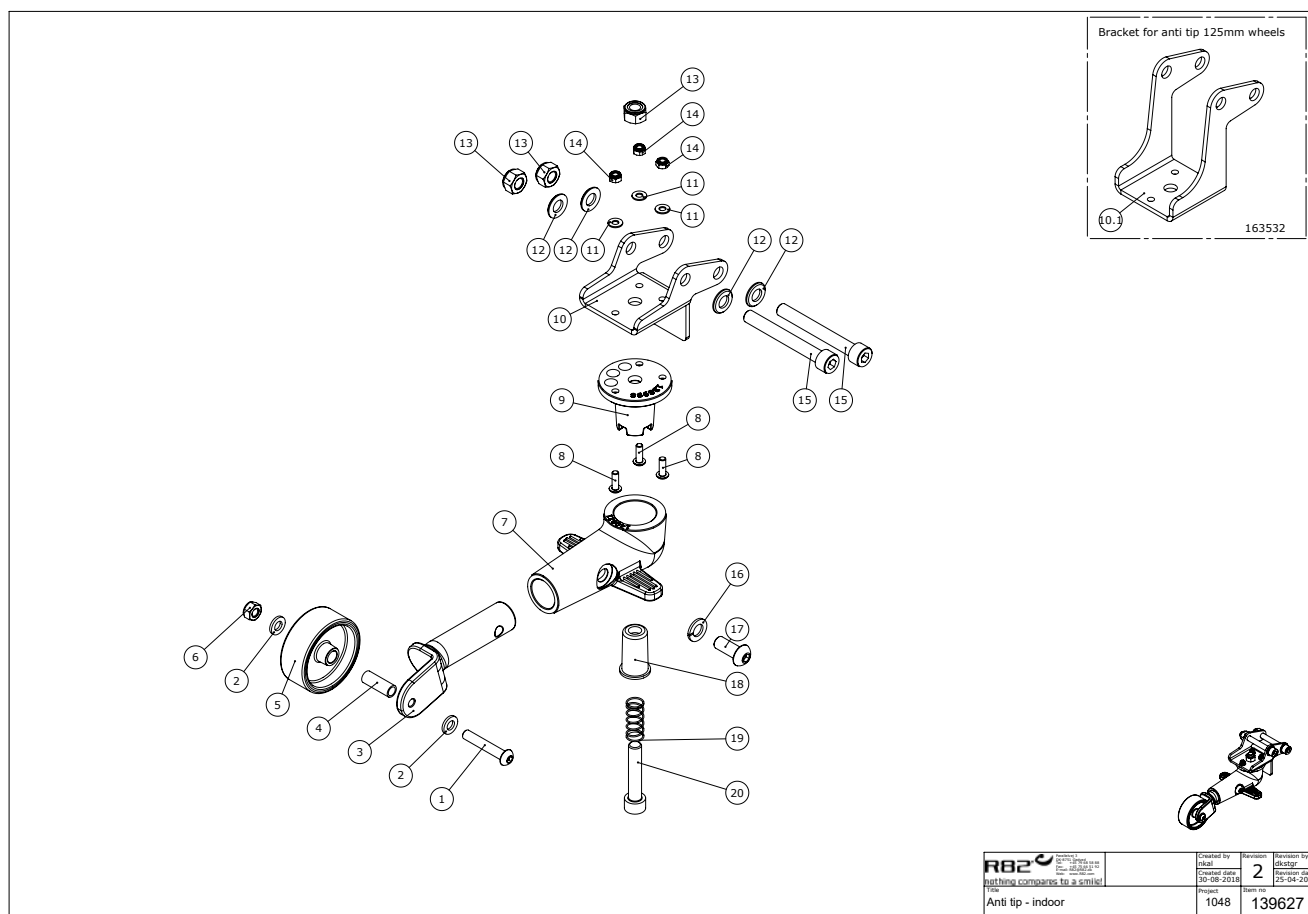
Pommel (95130-1, 95130-2, 95130-3, 95130-4)



Item numbers for Pommel (95130-1, 95130-2, 95130-3, 95130-4)

Position	No.	Description	Quantity	Unit of Measure	Ean code
1*	6175111	Pommel size 1, black pur	1	PCS	5707292189103
	6175112	Pommel size 2, black pur	1	PCS	5707292189110
	6175113	Pommel size 3, black pur	1	PCS	5707292189127
	6175114	Pommel size 4, black pur	1	PCS	5707292189134
2	82978	Pommel brace Wombat	1	PCS	5707292126221
3	1811275	Cutting screw 4*30mm	2	PCS	5707292141743
4	3652501	R82 handle M6*16mm screw	1	PCS	5707292413963
* Choose color/size					

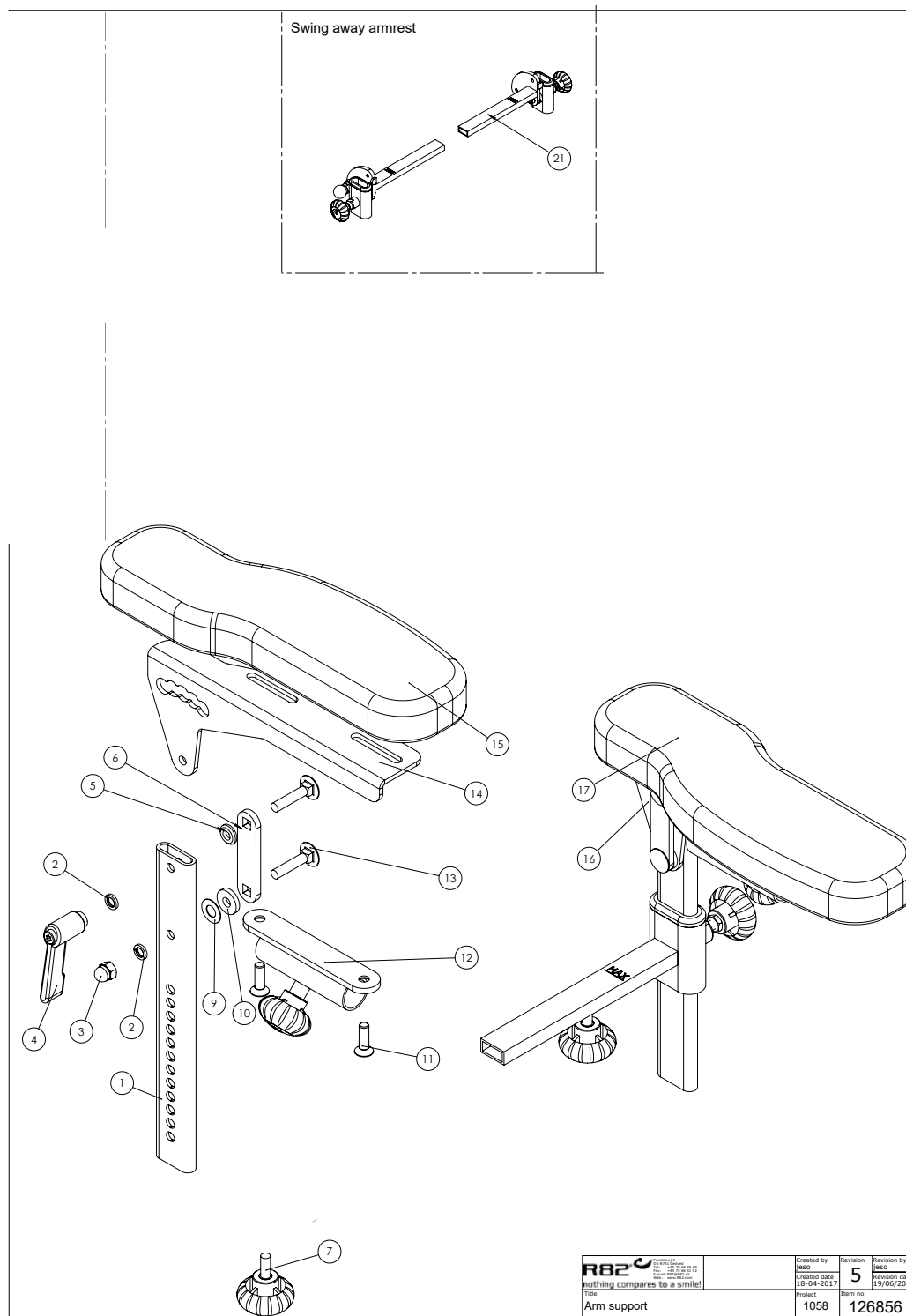
Anti-tipper for 75, 100 & 125 mm castors (890007, 890007-1)



Item numbers for Anti-tipper for 75 and 100 mm castors (890007)

Position	No.	Description	Quantity	Unit of Measure	Ean code
1	0659585	Button head M6*35, stainless	1	PCS	5707292139498
2	1105060	SS washer M6 6,4*12*1,6	2	PCS	5707292140357
3	141344	Wheel mount anti tilt right	1	PCS	5707292882103
4	111855	Bush for anti tilt device	1	PCS	5707292592989
5	303610	Wheel 50*19 Ø8 PU	1	PCS	5707292612748
6	1631060	Stainless lock nut 6mm	1	PCS	5707292141446
7	140021	Base for tip brace	1	PCS	5707292910882
8	0601900	Button head M4*12 FZB	3	PCS	5707292908285
9	138998	Anti tip base	1	PCS	5707292910875
10	138873	Bracket for anti tip	1	PCS	5707292911247
10.1	163532	Bracket for anti tip	1	PCS	5707292949141
11	1102800	Fazet washer 4mm	3	PCS	5707292140265
12	1103200	Fazet washer 8*16*1,5mm, FZB	4	PCS	5707292140296
13	1607000	Lock nut 8mm, large pack	3	PCS	5707292141378
14	1606275	Lock nut 4mm, large pack	3	PCS	5707292141347
15	0603665	Insex screw 8*65	2	PCS	5707292138286
16	1101050	Spring washer M8, wavy FZB	1	PCS	5707292458667
17	0662000	Button head screw 8*20 stainl.	1	PCS	5707292139573
18	103128	Spring retainer anti tilt	1	PCS	5707292568069
19	0310129	pressure spring 0,9*11*26mm*7v	1	PCS	5707292438782
20	0603455	Insex M8*40, fzb, st 12.9	1	PCS	5707292482853

Swing-away arm rests, short rod, set (95112-1S)

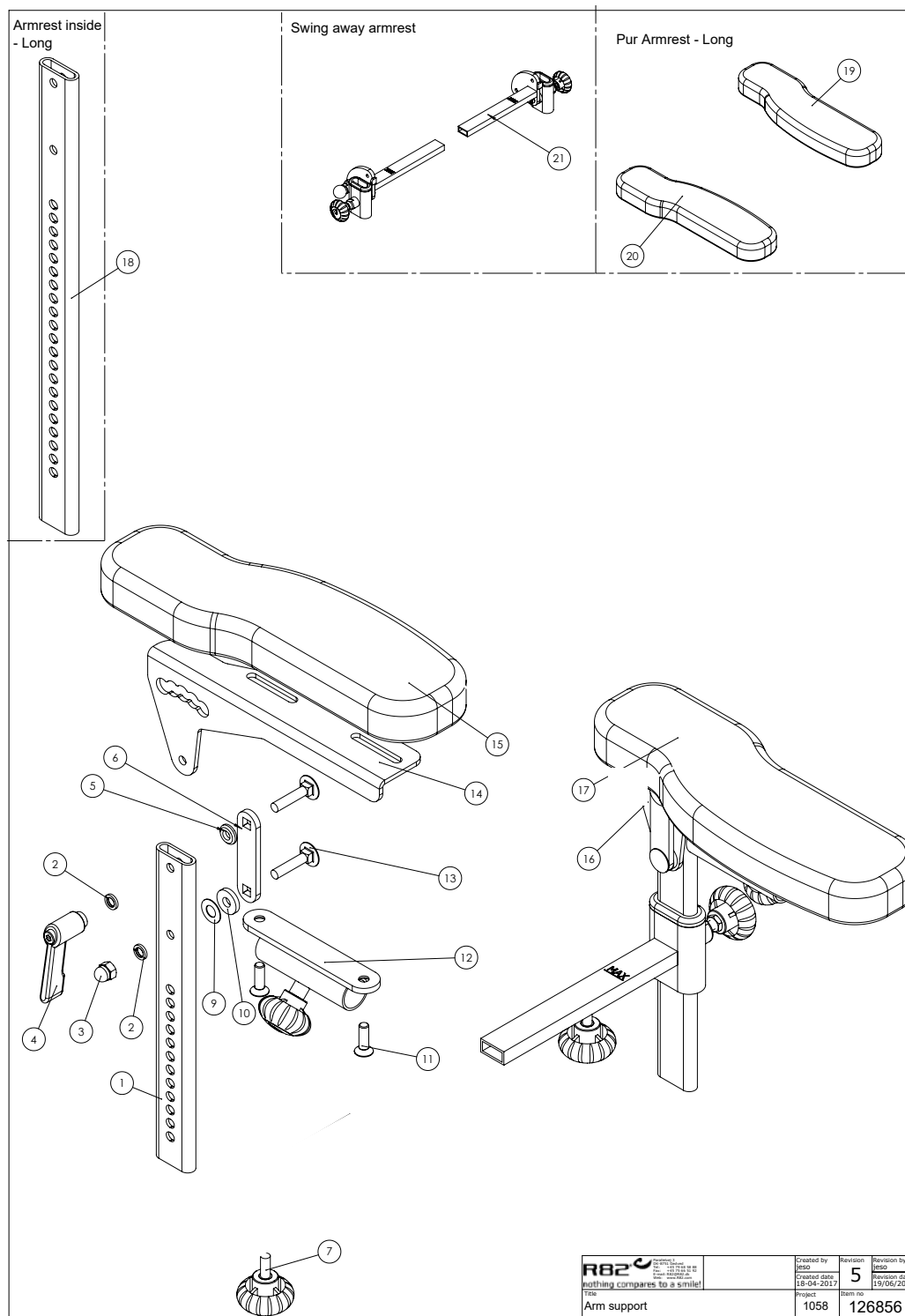


Item numbers for Swing-away arm rests, short rod, set (95112-1S)

Position	No.	Description	Quantity	Unit of Measure	Ean code
1	82963-1	Innerprofil armrest Wombat Liv	2	PCS	5707292546890
2	1100900	Spring washer M6 fzb, 6.1/9.9	4	PCS	5707292459336
3	1780600	Top nut 6mm	2	PCS	5707292141552
4	3502200	Tightening handle 42mm M6 bush	2	PCS	5707292146861
5	128514	Lock washer Ø6	2	PCS	5707292795687
6	128508	Bracket for armrest	2	PCS	5707292795670

Position	No.	Description	Quantity	Unit of Measure	Ean code
7	3652501	R82 handle M6*16mm screw	2	PCS	5707292413963
9	1310645	Washer, nature Ø16*8*0,5mm	2	PCS	5707292446015
10	1125618	Screenwasher fz6*18*3mm	2	PCS	5707292140494
11	0611000	Insex screw counters. 6*20	4	PCS	5707292138682
12	5082975	Hardware for table, mounted	2	PCS	5707292511164
13	1905300	Board bolt 6*25mm stainless	4	PCS	5707292142252
14	128509	Armrest right	1	PCS	5707292795663
15	6175154	Pur armrest size 2&3, right	1	PCS	5707292189240
16	128533	Armrest left	1	PCS	5707292795656
17	6175156	Pur armrest size 2&3, left	1	PCS	5707292189257
21	140578	Swing away armrest	1	SÆT	5707292875334

Swing-away arm rests, long rod, set (95113-1S)

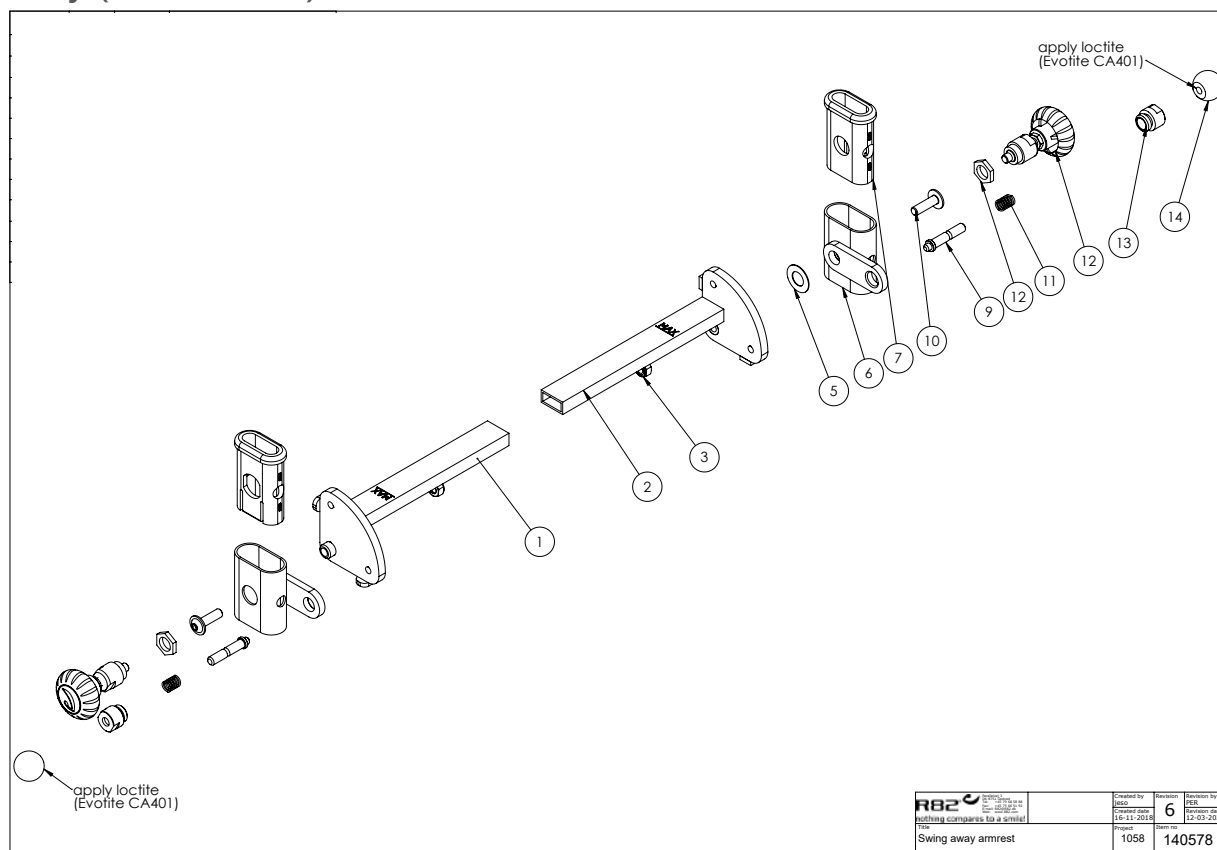


Item numbers for Swing-away arm rests, long rod, set (95113-1S)

Position	No.	Description	Quantity	Unit of Measure	Ean code
2	1100900	Spring washer M6 fzb, 6.1/9.9	4	PCS	5707292459336
3	1780600	Top nut 6mm	2	PCS	5707292141552
4	3502200	Tightening handle 42mm M6 bush	2	PCS	5707292146861
5	128514	Lock washer Ø6	2	PCS	5707292795687
6	128508	Bracket for armrest	2	PCS	5707292795670
7	3652501	R82 handle M6*16mm screw	2	PCS	5707292413963

Position	No.	Description	Quantity	Unit of Measure	Ean code
9	1310645	Washer, nature Ø16*8*0,5mm	2	PCS	5707292446015
10	1125618	Screenwasher fz6*18*3mm	2	PCS	5707292140494
11	0611000	Insex screw counters. 6*20	4	PCS	5707292138682
12	5082975	Hardware for table, mounted	2	PCS	5707292511164
13	1905300	Board bolt 6*25mm stainless	4	PCS	5707292142252
14	128509	Armrest right	1	PCS	5707292795663
16	128533	Armrest left	1	PCS	5707292795656
18	82666-1	Armrest, wombat, extended	2	PCS	5707292546906
19	6175160	Armrest pad,s.4,left,black	1	PCS	5707292189271
20	6175158	Armrest pad s.4,right,black	1	PCS	5707292189264
21	140578	Swing away armrest	1	SÆT	5707292875334

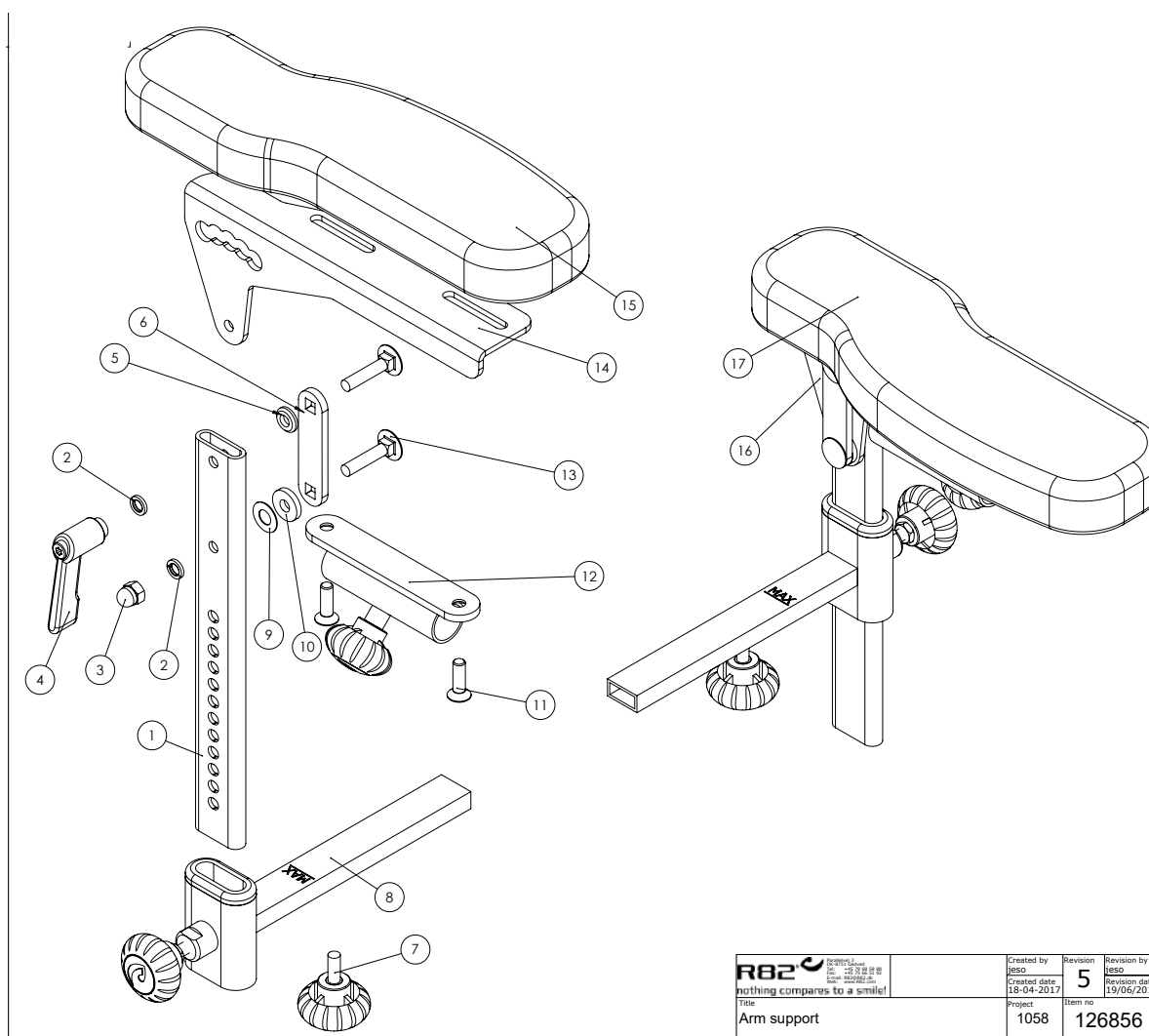
Swing-away armrest (95112-1S, 95113-1S), Kit from fixed to swing-away (95112-SW)



Item numbers for Swing-away armrest (95112-1S, 95113-1S)

Position	No.	Description	Quantity	Unit of Measure	Ean code
1	140234	Swing away armrest, right	1	PCS	5707292875259
2	140255	Swing away armrest, left	1	PCS	5707292875266
3	1606500	Lock nut 6 mm	2	PCS	5707292141361
5	1310723	Nylon washer natur	2	PCS	5707292590909
6	146793	Swing away armrest part 2	2	PCS	5707292902108
7	146792	Bush for Armrest	2	PCS	5707292896810
9	6118810	Pin f/springhouse panda+impala	2	PCS	5707292186706
10	0641621	Button head w/flange M6*20 FZB	2	PCS	5707292360960
11	0310125	Pressure spring 0,9*8u/Ø12+0,5	2	PCS	5707292135575
12	9500001	Lock Wombat	2	PCS	5707292404527
13	6118900	Springhouse, panda+impala	2	PCS	5707292186768
14	3502000	Ball grap Ø20 M6, special	2	PCS	5707292146823

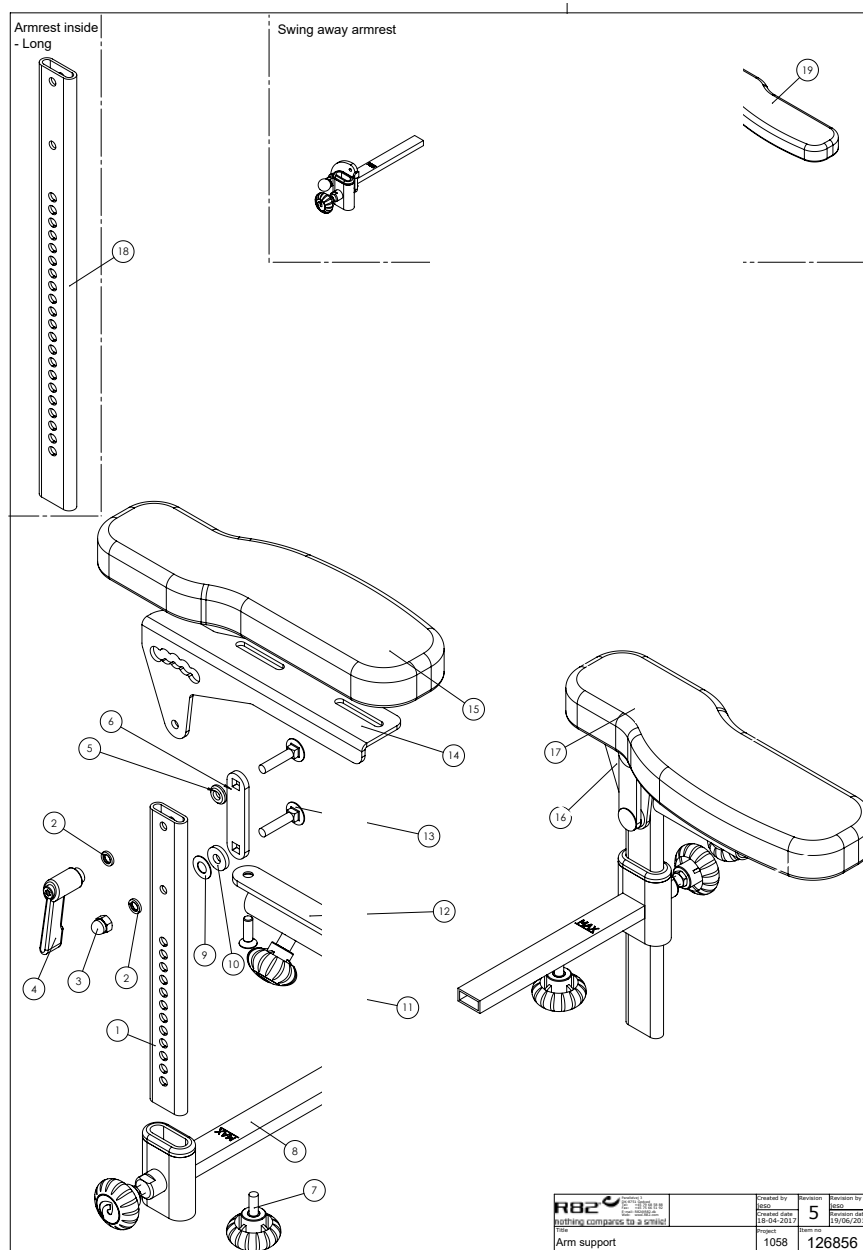
Arm rests for size 1 and 2 (95112-1)



Item numbers for Arm rests for size 1 and 2 (95112-1)

Position	No.	Description	Quantity	Unit of Measure	Ean code
1	82963-1	Innerprofil armrest Wombat Liv	2	PCS	5707292546890
2	1100900	Spring washer M6 fzb, 6.1/9.9	4	PCS	5707292459336
3	1780600	Top nut 6mm	2	PCS	5707292141552
4	3502200	Tightening handle 42mm M6 bush	2	PCS	5707292146861
5	128514	Lock washer Ø6	2	PCS	5707292795687
6	128508	Bracket for armrest	2	PCS	5707292795670
7	3652501	R82 handle M6*16mm screw	2	PCS	5707292413963
8	5082960	Hardware holder armrest	2	PCS	5707292511157
9	1310645	Washer, nature Ø16*8*0,5mm	2	PCS	5707292446015
10	1125618	Screenwasher fz6*18*3mm	2	PCS	5707292140494
11	0611000	Insex screw counters. 6*20	4	PCS	5707292138682
12	5082975	Hardware for table, mounted	2	PCS	5707292511164
13	1905300	Board bolt 6*25mm stainless	4	PCS	5707292142252
14	128509	Armrest right	1	PCS	5707292795663
15	6175154	Pur armrest size 2&3, right	1	PCS	5707292189240
16	128533	Armrest left	1	PCS	5707292795656
17	6175156	Pur armrest size 2&3, left	1	PCS	5707292189257

Arm rests for size 1 and 2, long rod and pad (95113-1)

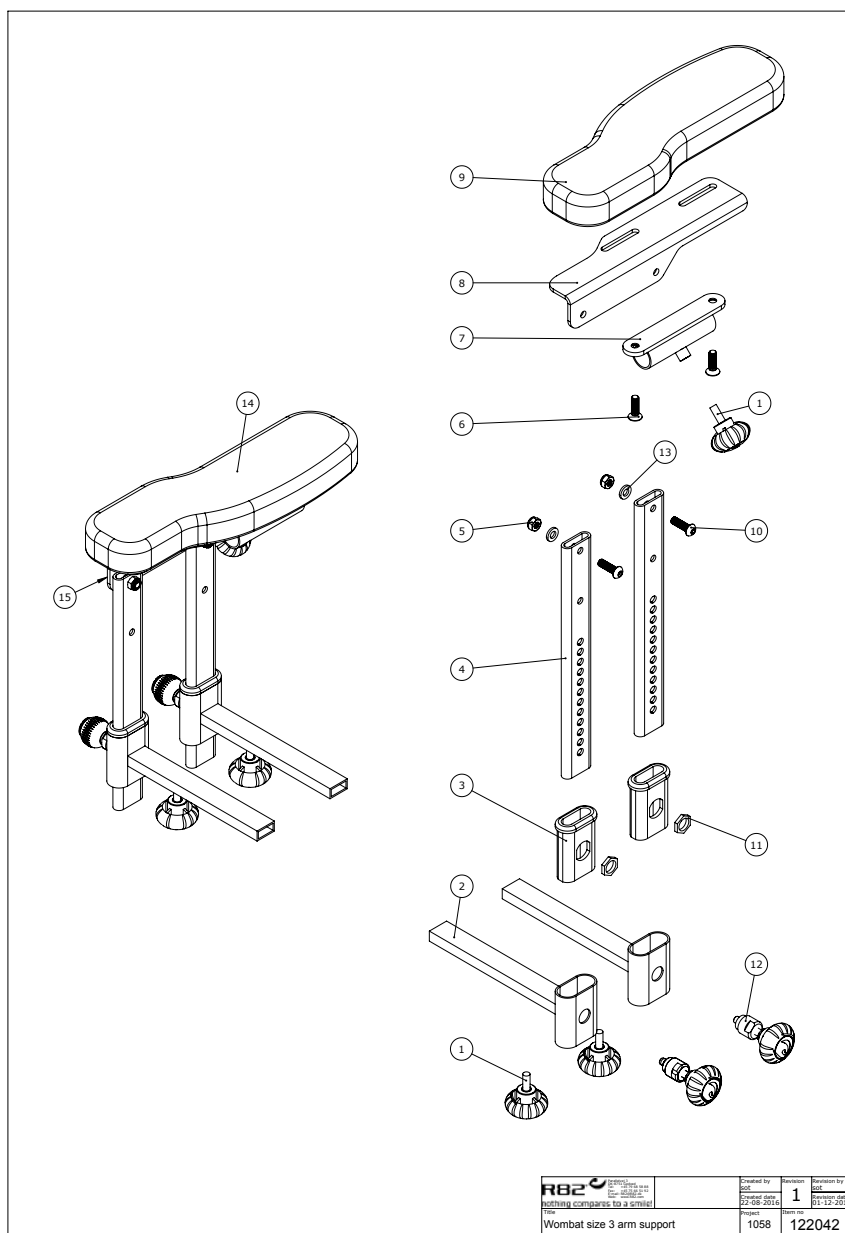


Item numbers for Arm rests for size 1 and 2, long rod and pad (95113-1)

Position	No.	Description	Quantity	Unit of Measure	Ean code
2	1100900	Spring washer M6 fzb, 6.1/9.9	4	PCS	5707292459336
3	1780600	Top nut 6mm	2	PCS	5707292141552
4	3502200	Tightening handle 42mm M6 bush	2	PCS	5707292146861
5	128514	Lock washer Ø6	2	PCS	5707292795687
6	128508	Bracket for armrest	2	PCS	5707292795670
7	3652501	R82 handle M6*16mm screw	2	PCS	5707292413963
8	5082960	Hardware holder armrest	2	PCS	5707292511157
9	1310645	Washer, nature Ø16*8*0,5mm	2	PCS	5707292446015
10	1125618	Screenwasher fz6*18*3mm	2	PCS	5707292140494
11	0611000	Insex screw counters. 6*20	4	PCS	5707292138682
12	5082975	Hardware for table, mounted	2	PCS	5707292511164

Position	No.	Description	Quantity	Unit of Measure	Ean code
13	1905300	Board bolt 6*25mm stainless	4	PCS	5707292142252
14	128509	Armrest right	1	PCS	5707292795663
16	128533	Armrest left	1	PCS	5707292795656
18	82666-1	Armrest, wombat, extended	2	PCS	5707292546906
19	6175160	Armrest pad,s.4,left,black	1	PCS	5707292189271
20	6175158	Armrest pad s.4,right,black	1	PCS	5707292189264

Arm rests double rod, for size 3 (95114)

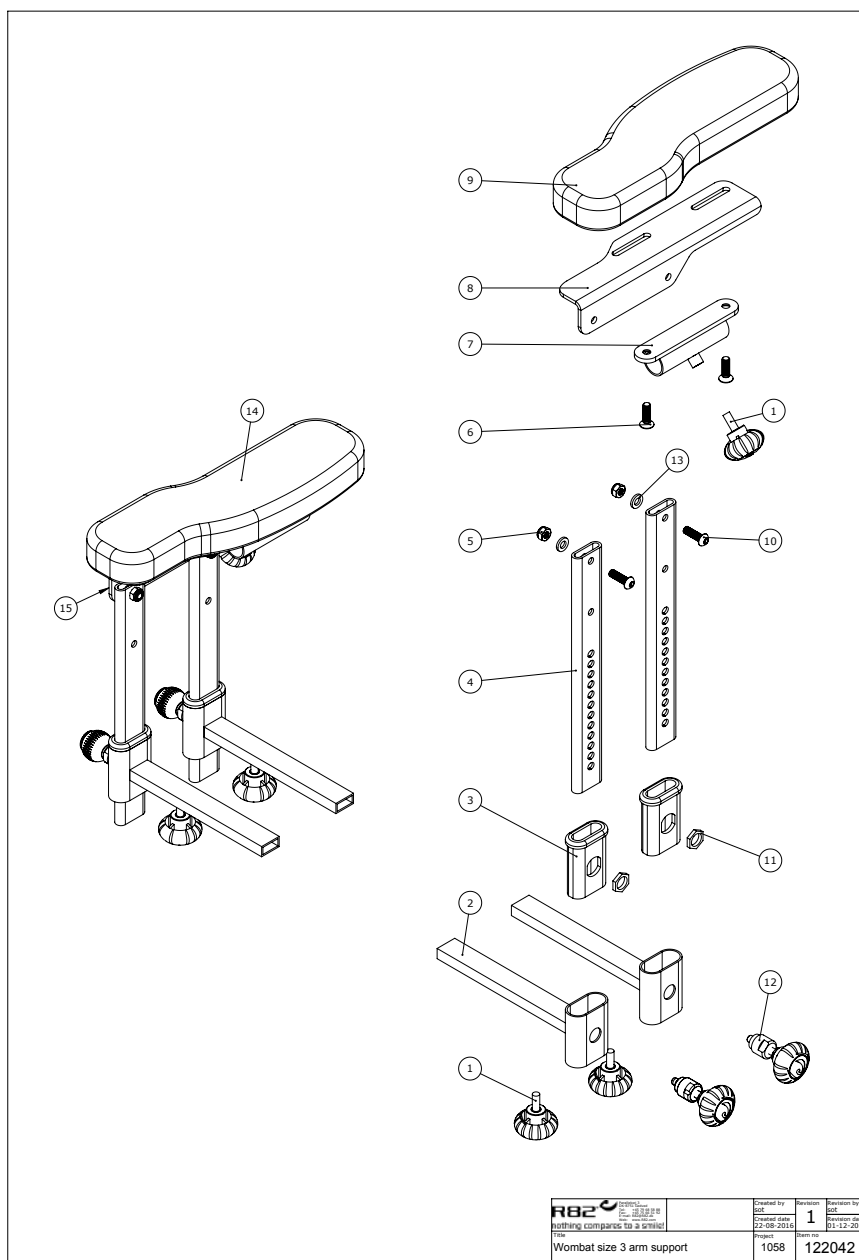


Item numbers for Arm rests double rod, for size 3 (95114)

Position	No.	Description	Quantity	Unit of Measure	Ean code
1	3652501	R82 handle M6*16mm screw	4	PCS	5707292413963
4	82963-1	Innerprofil armrest Wombat Liv	4	PCS	5707292546890
5	1606500	Lock nut 6 mm	4	PCS	5707292141361
6	0611000	Insex screw counters. 6*20	4	PCS	5707292138682
8	82693	Bracket left	1	PCS	5707292401762
9	6175156	Pur armrest size 2&3, left	1	PCS	5707292189257
10	0641620	Button head screw 6*20	4	PCS	5707292139276
13	1310640	Washer, nature Ø16*10*0,5mm	4	PCS	5707292140760
14	6175154	Pur armrest size 2&3, right	1	PCS	5707292189240
15	82692	Bracket right	1	PCS	5707292401755

Position	No.	Description	Quantity	Unit of Measure	Ean code
1+7	5082975	Hardware for table, mounted	2	PCS	5707292511164
2+3+11+ 12	5082960	Hardware holder armrest	4	PCS	5707292511157

Arm rests double rod, for size 3, long rod and pad (95115)

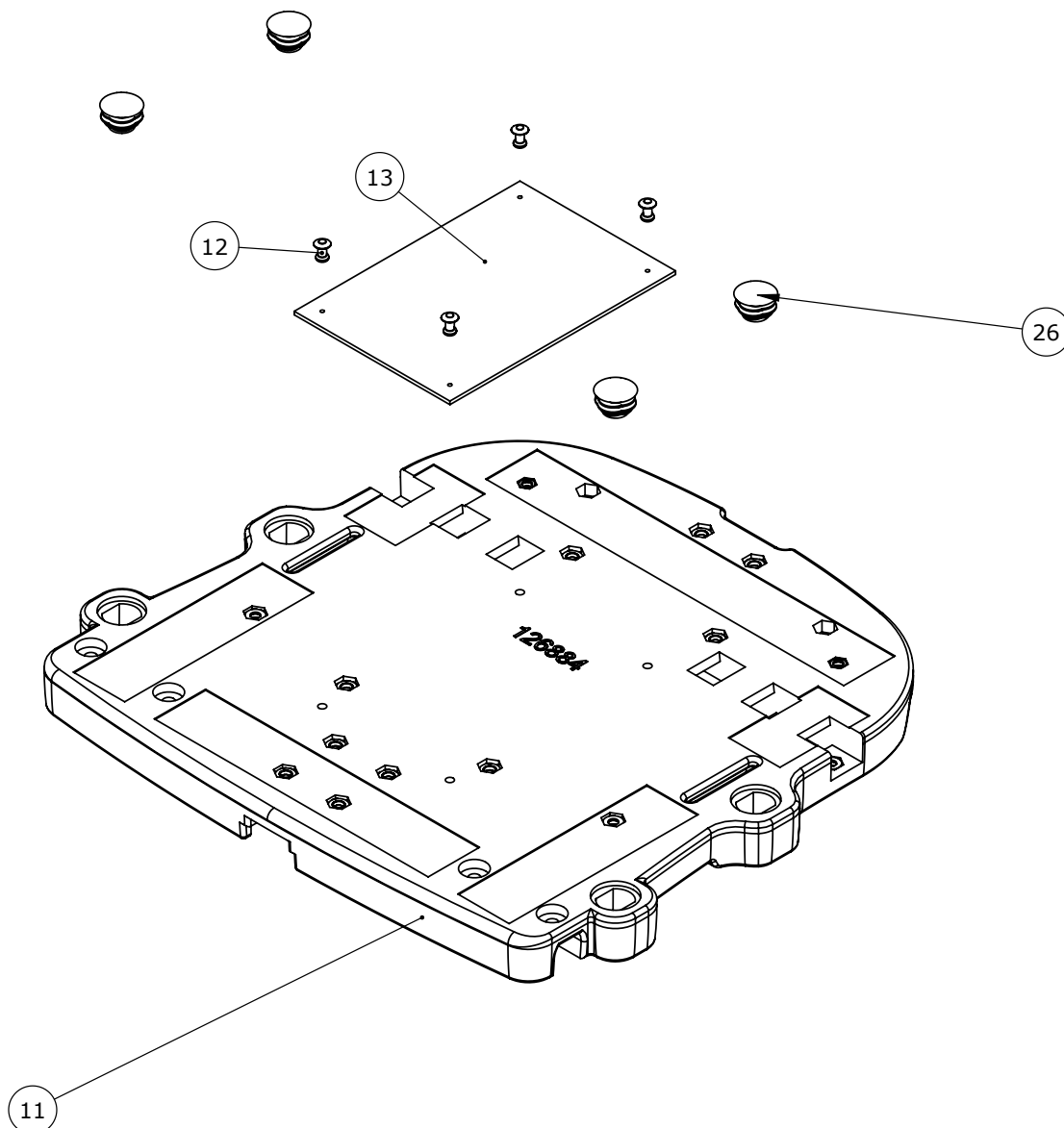


Item numbers for Arm rests double rod, for size 3, long rod and pad (95115)

Position	No.	Description	Quantity	Unit of Measure	Ean code
1	3652501	R82 handle M6*16mm screw	4	PCS	5707292413963
4	82666-1	Armrest, wombat, extended	4	PCS	5707292546906
5	1606500	Lock nut 6 mm	4	PCS	5707292141361
6	0611000	Insex screw counters. 6*20	4	PCS	5707292138682
8	82718	Armrest bracket left size 3	1	PCS	5707292442727
9	6175163	Armrest pu. Wombat sz 4. Right	1	PCS	5707292443151
10	0641620	Button head screw 6*20	4	PCS	5707292139276
13	1310640	Washer, nature Ø16*10*0,5mm	4	PCS	5707292140760
14	6175164	Armrest pu. Wombat sz 4. Left	1	PCS	5707292443168
15	82705	Armrest right size 3	1	PCS	5707292442734

Position	No.	Description	Quantity	Unit of Measure	Ean code
1+7	5082975	Hardware for table, mounted	2	PCS	5707292511164
2+3+11+ 12	5082960	Hardware holder armrest	4	PCS	5707292511157

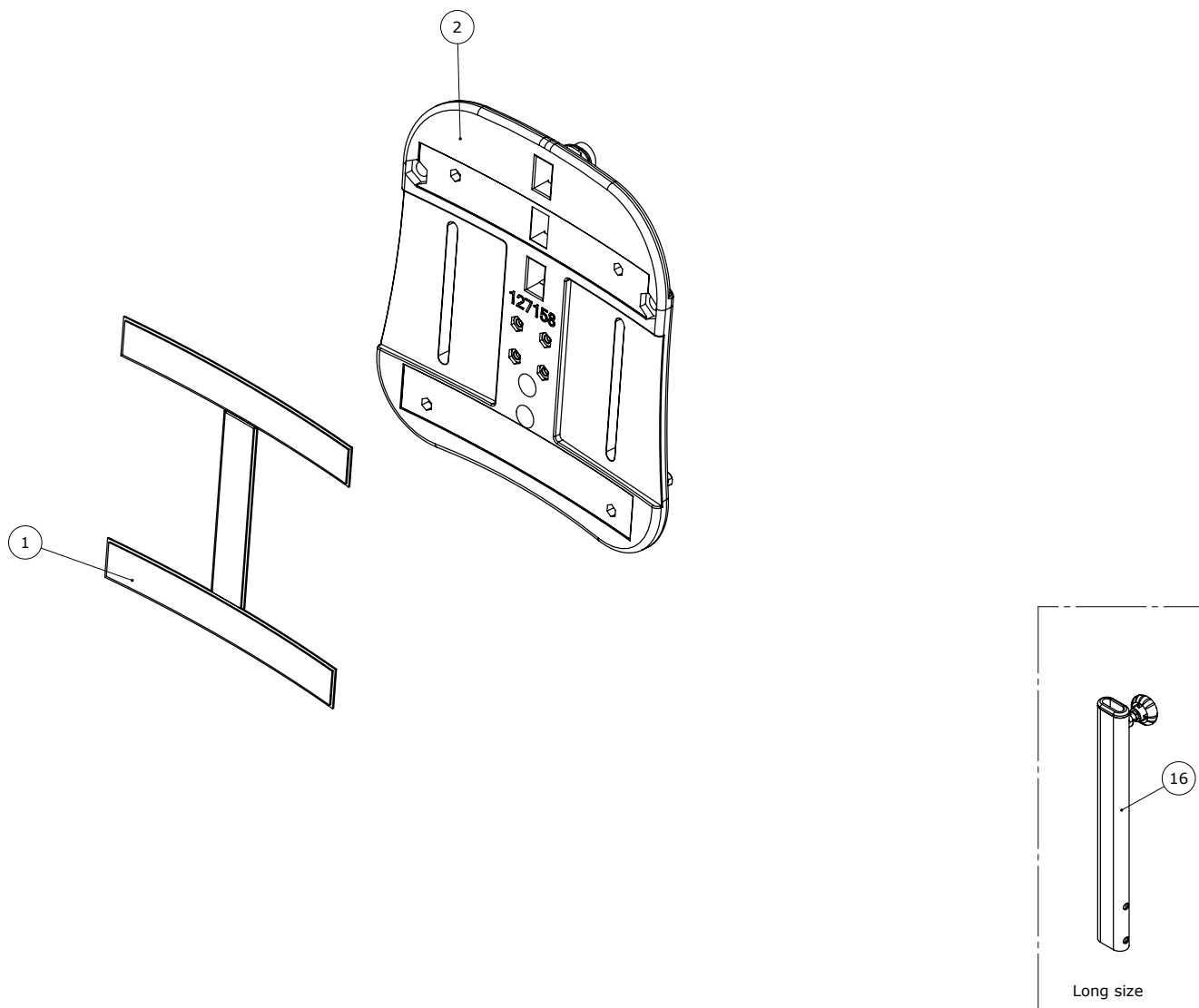
Step 1 to 2 kit, seat, size 1 (95560, 95560-SÆDEKIT)



Item numbers for Step 1 to 2 kit, seat, size 1 (95560, 95560-SÆDEKIT)

Position	No.	Description	Quantity	Unit of Measure	Ean code
11	126884	Seat size 1, Wombat	1	PCS	5707292793638
12	0506509	Rivet 4*10, stainless	4	PCS	5707292472441
13	4935300	100mm black velcro hook	0,15	MTR	5707292152107
26	2502510	Plug 20*2,0-2,5 inside black	4	PCS	5707292557759

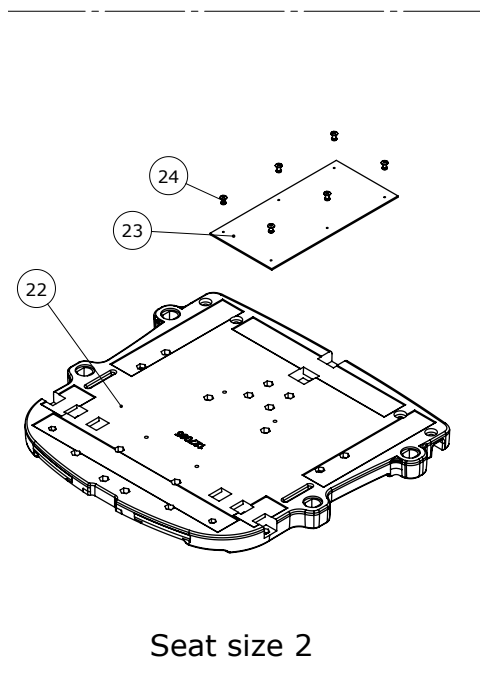
Step 1 to 2 kit, back, size 1 (95560, 95560-RYGKIT)



Item numbers for Step 1 to 2 kit, seat, size 1 (95560, 95560-RYGKIT)

Position	No.	Description	Quantity	Unit of Measure	Ean code
1	4913040	30mm adhesive hook, black	0,53	MTR	5707292786517
2	127158	Back 1 Wombat facelift	1	PCS	5707292789792
16	127819	Outer back column Long assm.	1	PCS	5707292786364

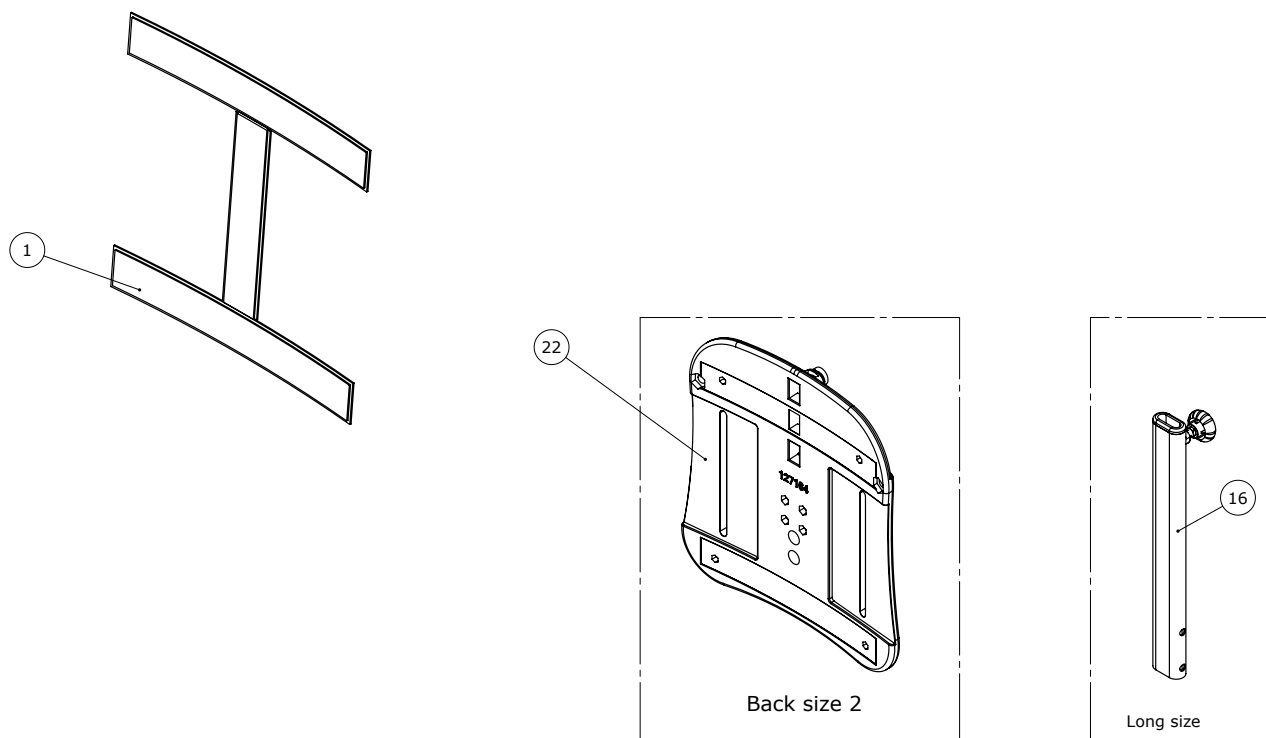
Step 1 to 2 kit, seat, size 2 (95561, 95561-SÆDEKIT)



Item numbers for Step 1 to 2 kit, seat, size 2 (95561, 95561-SÆDEKIT)

Position	No.	Description	Quantity	Unit of Measure	Ean code
22	127065	Seat size 2, Wombat	1	PCS	5707292793669
23	4935300	100mm black velcro hook	0,21	MTR	5707292152107
24	0506509	Rivet 4*10, stainless	6	PCS	5707292472441
26	2502510	Plug 20*2,0-2,5 inside black	4	PCS	5707292557759

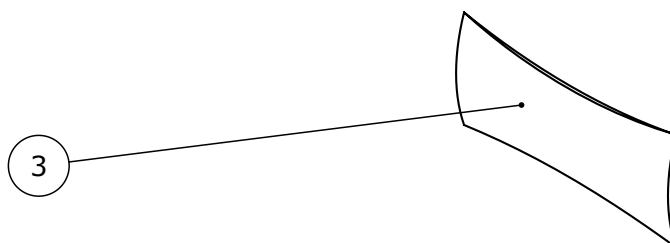
Step 1 to 2 kit, back, size 2 (95561, 95561-RYGKIT)



Item numbers for Step 1 to 2 kit, seat, size 2 (95561, 95561-RYGKIT)

Position	No.	Description	Quantity	Unit of Measure	Ean code
1	4913040	30mm adhesive hook, black	0,53	MTR	5707292786517
16	127819	Outer back column Long assm.	1	PCS	5707292786364
22	127164	Wombat size 2 back	1	PCS	5707292789808

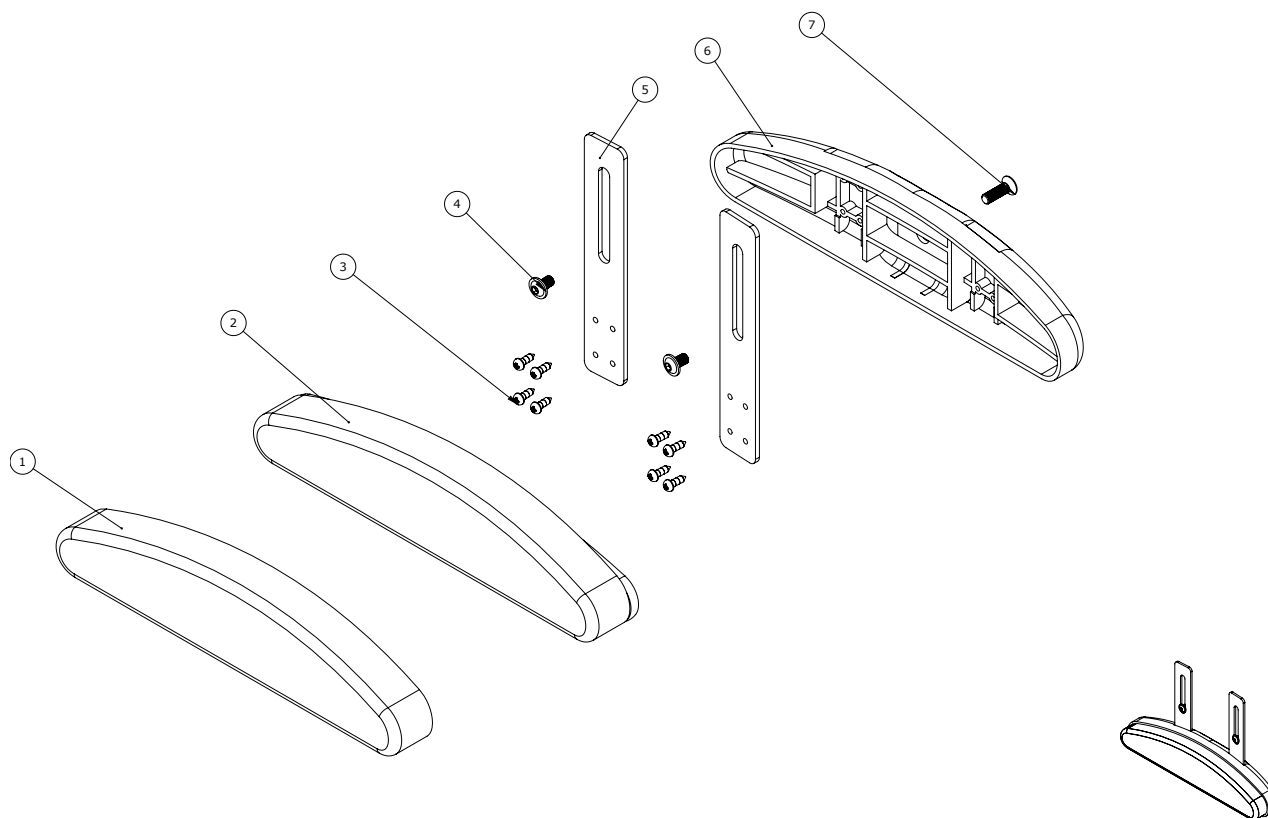
Lumbar foam wedge (955030-1, 955030-2, 955030-3)




Item numbers for Lumbar foam wedge (955030-1, 955030-2, 955030-3)

Position	No.	Description	Quantity	Unit of Measure	Ean code
3*	5700365	Lumbar foam wedge, Size 1	1	PCS	5707292181466
	5700366	Lumbar foam wedge, Size 2	1	PCS	5707292181473
	5700381	Lumbar foam wedge, Size 3	1	PCS	5707292399267
* Choose color/size					

Lower back extension (95140-60)



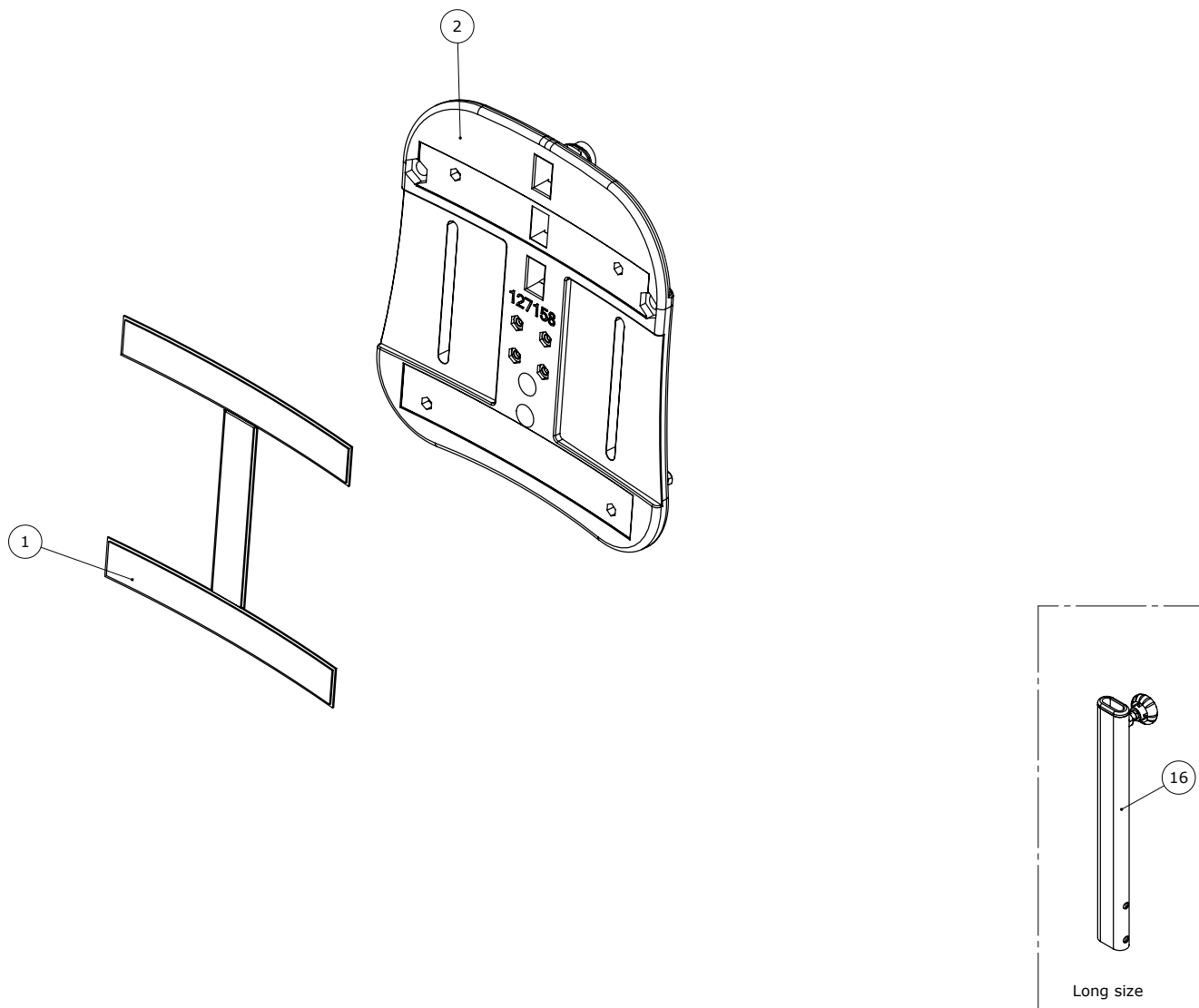
Prototype

 <small>R82 A/S Parallelvej 3 8751 Gedved Denmark</small>	<small>Created by</small> Admin	<small>Revision</small> A
	<small>Created date</small> 31-03-2011	<small>Revision date</small> 30-06-2016
<small>Title</small> Back extension for Wombat size 3	<small>Project</small>	<small>Item no</small> 79196

Item numbers for Lower back extension (95140-60)

Position	No.	Description	Quantity	Unit of Measure	Ean code
1	121582	Cover f. pelvis support WL 3	1	PCS	5707292630032
2	5700483	Upholstered lower back supp	1	PCS	5707292399304
3	1940033	Eco-syn z M3,5*10 stainless	8	PCS	5707292422965
4	0659010	Button head with flange M6*10	2	PCS	5707292356819
5	82744	Mountingplate	2	PCS	5707292398901
6	82748	Lumbar support	1	PCS	5707292400093
7	0612500	Insex screw counters. 6*25	1	PCS	5707292138712

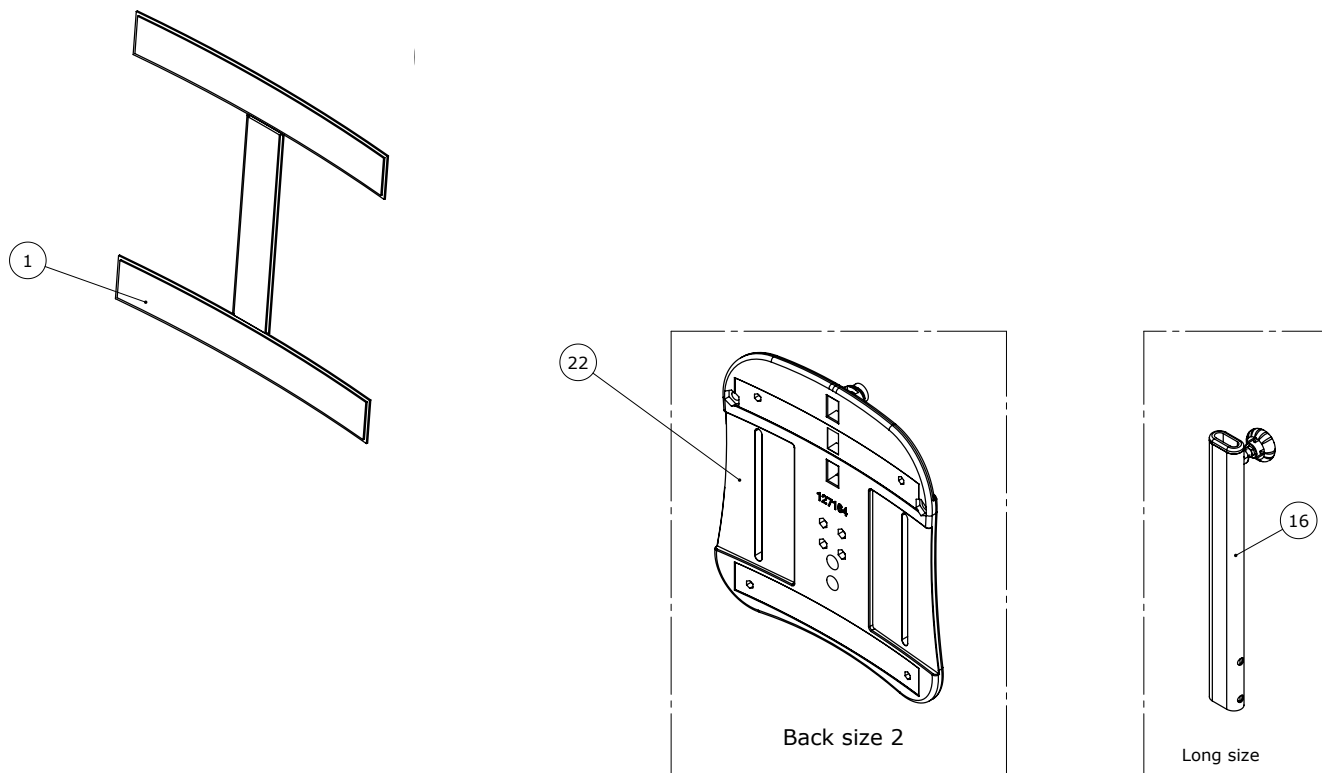
Short to long back, size 1 (95560-1, 95560-RYGKIT)



Item numbers for Short to long back, size 1 (95560-1, 95560-RYGKIT)

Position	No.	Description	Quantity	Unit of Measure	Ean code
1	4913040	30mm adhesive hook, black	0,53	MTR	5707292786517
2	127158	Back 1 Wombat facelift	1	PCS	5707292789792
16	127819	Outer back column Long assm., Size 1+2	1	PCS	5707292786364

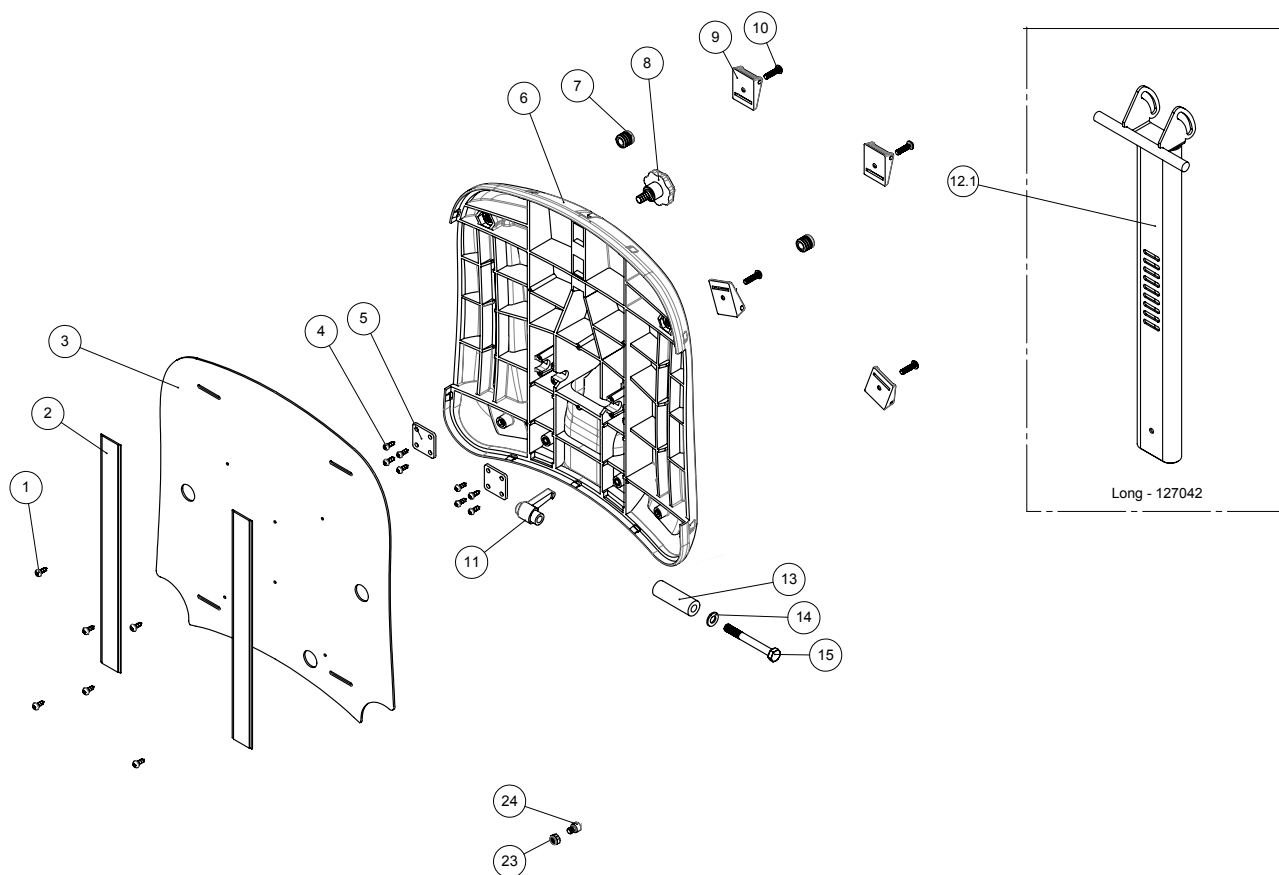
Short to long back, size 2 (95561-1, 95561-RYGKIT)



Item numbers for Short to long back, size 2 (95561-1, 95561-RYGKIT)

Position	No.	Description	Quantity	Unit of Measure	Ean code
1	4913040	30mm adhesive hook, black	0,53	MTR	5707292786517
16	127819	Outer back column Long assm., Size 1+2	1	PCS	5707292786364
22	127164	Wombat size 2 back	1	PCS	5707292789808

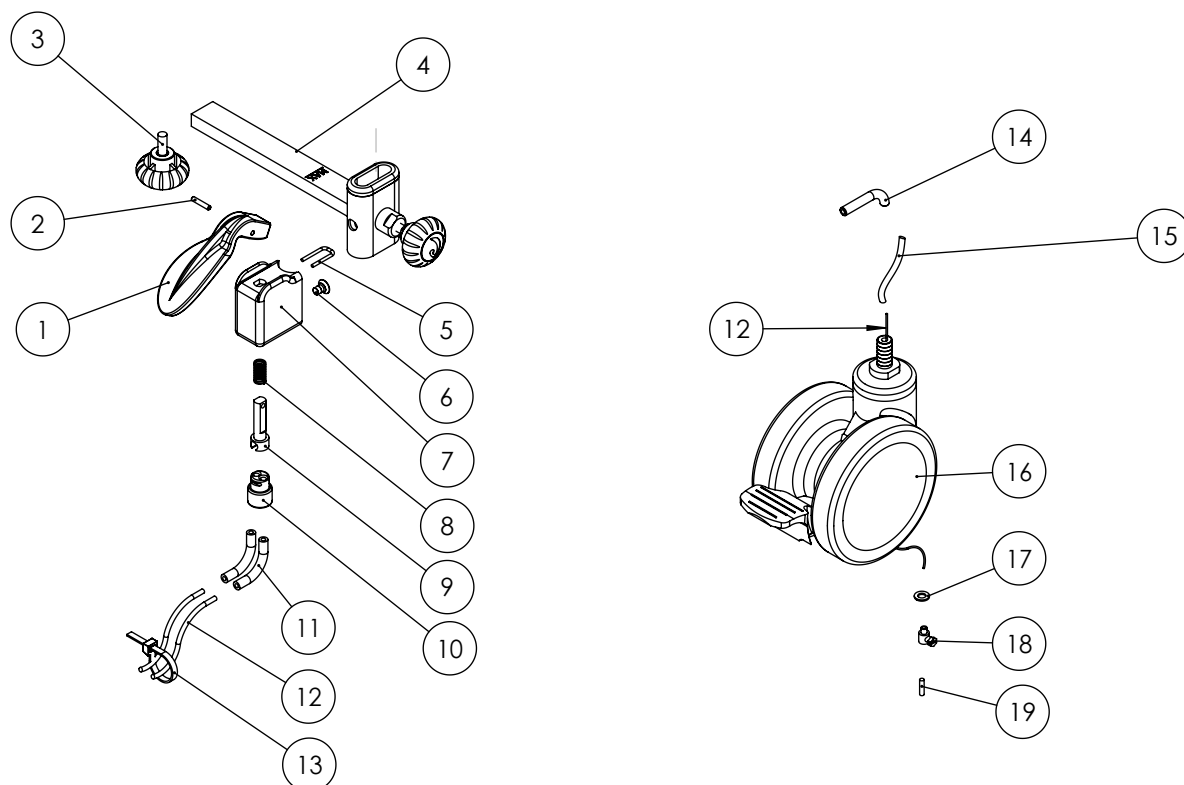
Short to long back, size 3 (95562-1)



Item numbers for Short to long back, size 3 (95562-1)

Position	No.	Description	Quantity	Unit of Measure	Ean code
1	1940010	Plastite 60, 2,9*6,5	6	PCS	5707292142573
2	4913040	30mm adhesive hook, black	0,62	MTR	5707292786517
3	82794	Backplate f. Wombat size 3	1	PCS	5707292400116
4	1940032	Eco-sight z M3,5x12 rustproof	8	PCS	5707292397584
5	82781	Mounting plate	2	PCS	5707292398840
6	82751	Back mounted with screws	1	PCS	5707292400123
7	2501500	Ferrule d12*0,5-1,5 int.black	2	PCS	5707292143952
8	3503001	R82 handle M8x15mm screw	1	PCS	5707292413925
9	0445025	25mm press buckle, black	4	PCS	5707292465160
10	0640920	Button head M5*20 FZB	4	PCS	5707292381033
11	3502300	Tightening handle 65mm M8 bush	1	PCS	5707292146885
12.1	127042	Backpile	1	PCS	5707292784858
13	82747	Shaft	1	PCS	5707292400130
14	1103200	Fazet washer 8*16*1,5mm, FZB	2	PCS	5707292140296
15	1907100	Steel bolt 8*70mm	1	PCS	5707292142467
23	1606500	Lock nut 6 mm	1	PCS	5707292141361
24	0602188	Insex M6*8, FZB	1	PCS	5707292138071

Hand operated central brake kit for retrofitting (890011-3, 890011-4)

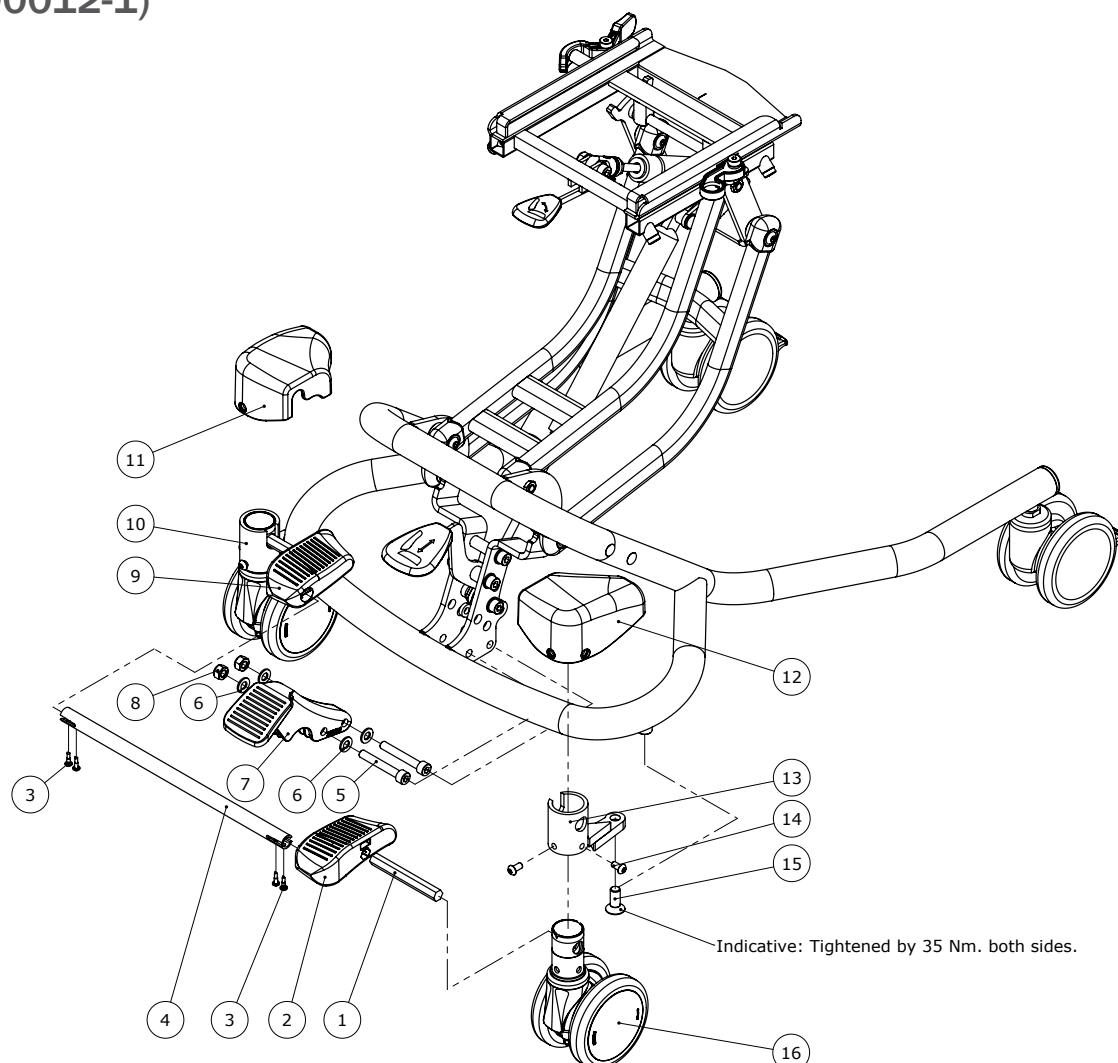


Item numbers for Hand operated central brake kit for retrofitting (890011-3, 890011-4)

Position	No.	Description	Quantity	Unit of Measure	Ean code
1	72964	Brake grip for Central brake	1	PCS	5707292499745
2	0529038	Cyl.stift Ø3,0x18 mm.	1	PCS	5707292439260
3	3652501	R82 handle M6x16mm screw	1	PCS	5707292413963
4	5082870	Mounting bracket for armrest	1	PCS	5707292539618
5	6108146	Safety brace Ø2	1	PCS	5707292185495
6	0631809	Insex uh. M5x5	1	PCS	5707292353337
7	70140	Brakeholder, Rabbit	1	PCS	5707292442833
8	0310129	pressure spring 0,9x11x26mmx7v	1	PCS	5707292438782
9	72983	Pin for brake	1	PCS	5707292438836
10	70139	Plug	1	PCS	5707292101648
11	0389000	Angled cable tightener, 45°	2	PCS	5707292136152
12	0371850	Stretched wire 1,5-19tr.1,tig.	2	PCS	5707292135872
13	0235075	Cable tie, black, 3,6x200mm	1	PCS	5707292135308
14	5082909	Cable guide	2	PCS	5707292503107
15*	5002964	Cable for central brake size 1+2	2	PCS	5707292353689
	5002965	Cable for central brake size 3	2	PCS	5707292408846
16	3006950	100 mm double wheel w/central	2	PCS	5707292145925
17	1102800	Fazer washer 4mm	2	PCS	5707292140265
18	0388010	Screwnippel 7x7mm	2	PCS	5707292136121
19	0387000	End nipple for outer casing	1	PCS	5707292136091

* Choose color/size

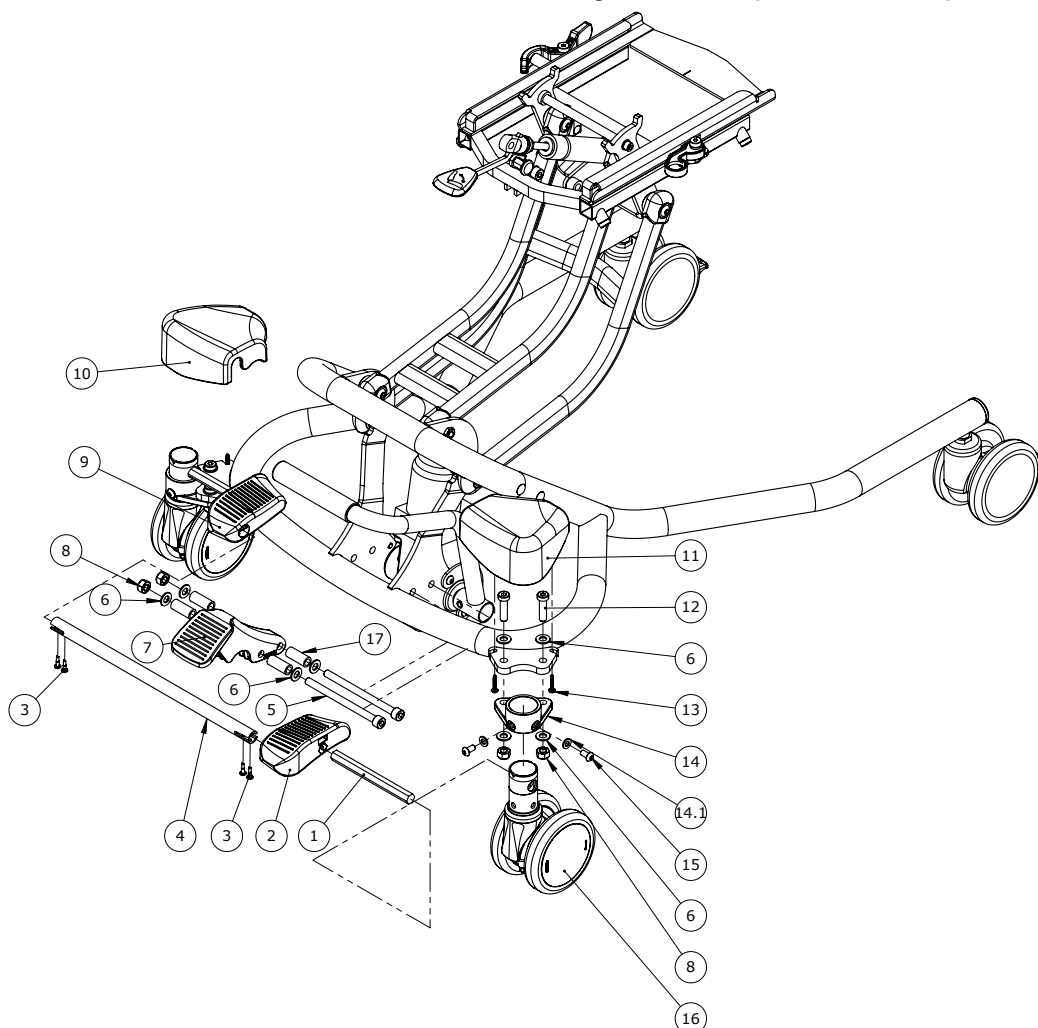
Foot operated central brake kit, size 1, 2 and 3, gas and power (890012-1)



Item numbers for Foot operated central brake kit, size 1, 2 and 3, gas and power (890012-1)

Position	No.	Description	Quantity	Unit of Measure	Ean code
1	138608	Hexagon bar CB size 1	2	PCS	5707292911308
2	139041	Pedal for central brake R	1	PCS	5707292910844
3	1811200	Sheet metal screw 3,5*13 phx	4	PCS	5707292141712
4	138840	Tube for central brake	1	PCS	5707292911322
5	0603600	Insex screw 8*55	2	PCS	5707292138262
6	1103200	Fazet washer 8*16*1,5mm, FZB	4	PCS	5707292140296
7	139326	Tip support	1	PCS	5707292910868
8	1607000	Lock nut 8mm, large pack	2	PCS	5707292141378
9	139067	Pedal for central brake L	1	PCS	5707292910851
10	161940	Bracket CB size 1 Left	1	PCS	5707292944177
11	139171	Str.1 Central brake cover L	1	PCS	5707292910813
12	139169	Str.1 central brake cover R	1	PCS	5707292910806
13	161787	Bracket CB size 1 right	1	PCS	5707292944184
14	0602193	Buttonhead - M6 *12, black	4	PCS	5707292900708
15	0612800	Insex screw counters. 10*25	2	PCS	5707292138774
16	3006970	100mm dob.wheel w/central br	2	PCS	5707292877468

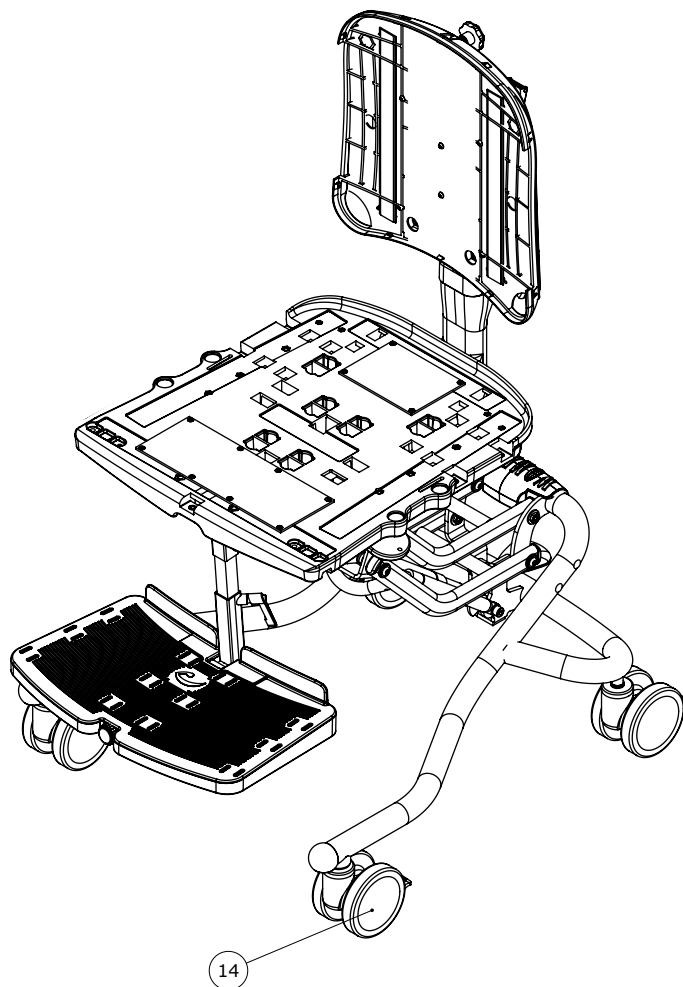
Foot operated central brake kit, size 3, hydraulic (890012-3)



Item numbers for Foot operated central brake kit, size 3, hydraulic (890012-3)

Position	No.	Description	Quantity	Unit of Measure	Ean code
1	139809	Hexagon bar CB size 2	2	PCS	5707292911315
2	139041	Pedal for central brake R	1	PCS	5707292910844
3	1811200	Sheet metal screw 3,5*13 phx	4	PCS	5707292141712
4	138840	Tube for central brake	1	PCS	5707292911322
5	0603975	Insex screw 8*110	2	PCS	5707292138330
6	1103200	Fazet washer 8*16*1,5mm, FZB	12	PCS	5707292140296
7	139326	Tip support	1	PCS	5707292910868
8	1607000	Lock nut 8mm, large pack	6	PCS	5707292141378
9	139067	Pedal for central brake L	1	PCS	5707292910851
10	139871	Str.2/3 Central Brake Cover L	1	PCS	5707292910837
11	139814	Str.2/3 Central Brake Cover R	1	PCS	5707292910820
12	0603536	Insex lov head M8x30	4	PCS	5707292575326
13	0610620	screw ø3,5x20 DELTA PT A2	4	PCS	5707292903778
14	139818	Central brake adapter size 2	2	PCS	5707292910929
14.1	1105060	SS washer M6 6,4*12*1,6	4	PCS	5707292140357
15	0602193	Buttonhead - M6 *12, black	4	PCS	5707292900708
16	3006970	100mm dob.wheel w/central br	2	PCS	5707292877468
17	150136	Distance bush for hyd. cb.	4	PCS	5707292914491

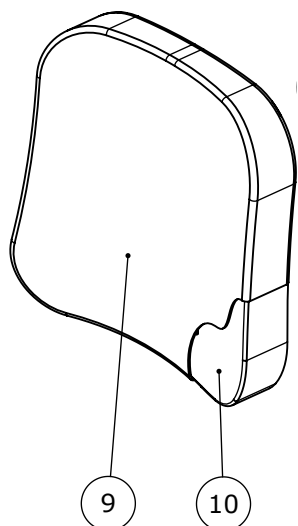
Castors with directional stabilizers (89592-KIT)



Item numbers for Castors with directional stabilizers (89592-KIT)

Position	No.	Description	Quantity	Unit of Measure	Ean code
14	3006946	100mm double wheel, Directional lock only	2	PCS	5707292941664

Back rest cushion, standard, with cover (955031-2XX, 955032-2XX, 955033-2xx)

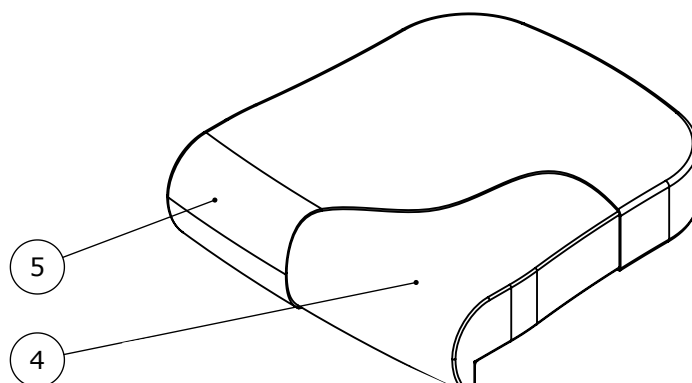


Item numbers for Back rest cushion, standard, with cover (955031-2XX, 955032-2XX, 955033-2xx)

Position	No.	Description	Quantity	Unit of Measure	Ean code
9*	955611-224	Cover, std. back, size 1, red	1	PCS	5707292622372
	955611-225	Cover, std. back, sz1, petroleum	1	PCS	5707292622389
	955611-228	Cover, std. back, sz 1, grey	1	PCS	5707292622396
	955612-224	Cover, std. back, size 2, red	1	PCS	5707292622402
	955612-225	Cover, std. back, sz2, petroleum	1	PCS	5707292622419
	955612-228	Cover, std. back, sz 2, grey	1	PCS	5707292622426
	955613-224	Cover, std. back, size 3, red	1	PCS	5707292622433
	955613-225	Cover, std. back, sz3, petroleum	1	PCS	5707292622440
	955613-228	Cover, std. back, sz 3, grey	1	PCS	5707292622457
10*	120660	Wombat back cushion std. str 1	1	PCS	5707292621672
	119781	Wombat back cushion std. str. 2	1	PCS	5707292621757
	120666	Wombat back cushion std. str. 3	1	PCS	5707292621856

* Choose color/size

Seat cushion, standard, with cover (955021-2XX, 955022-2XX, 955023-2xx)

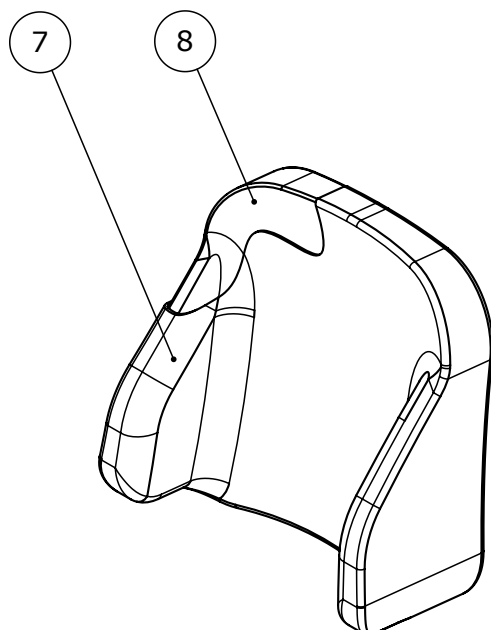


Item numbers for Seat cushion, standard, with cover (955021-2XX, 955022-2XX, 955023-2xx)

Position	No.	Description	Quantity	Unit of Measure	Ean code
4*	120939	Wombat seatcushion std.size 1	1	PCS	5707292621665
	120486	Inlay for flat seat size 2	1	PCS	5707292621733
	120944	Wombat seatcushion std. sz. 3	1	PCS	5707292621849
5*	955621-224	Cover, seat cushion size 1,red	1	PCS	5707292622532
	955621-225	Cover,seat cushion sz1,petrol.	1	PCS	5707292622563
	955621-228	Cover,seat cushion sz.1, grey	1	PCS	5707292622587
	955622-224	Cover, seat cushion size 2,red	1	PCS	5707292622600
	955622-225	Cover,seat cushion sz2,petrol.	1	PCS	5707292622617
	955622-228	Cover,seat cushion sz.2, grey	1	PCS	5707292622624
	955623-224	Cover, seat cushion size 3,red	1	PCS	5707292622631
	955623-225	Cover,seat cushion sz3,petrol.	1	PCS	5707292622648
	955623-228	Cover,seat cushion sz.3, grey	1	PCS	5707292622655

* Choose color/size

Back rest cushion, contoured (955031-238, 955032-238, 955033-238)

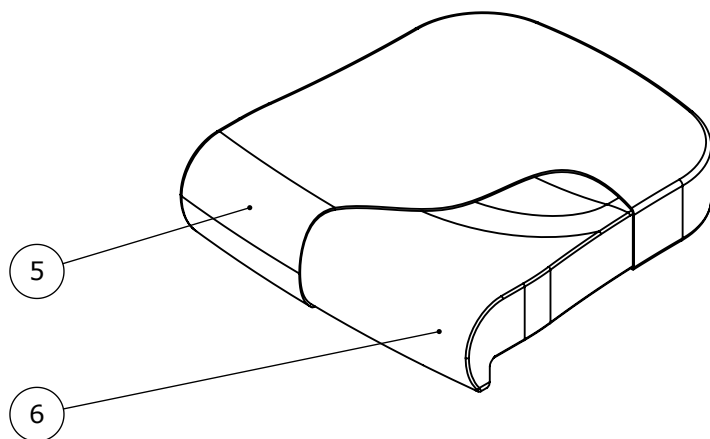


Item numbers for Back rest cushion, contoured (955031-238, 955032-238, 955033-238)

Position	No.	Description	Quantity	Unit of Measure	Ean code
7*	955611-238	Cover, contoured back, sz 1, grey	1	PCS	5707292622464
	955612-238	Cover, contoured back, sz 2, grey	1	PCS	5707292622488
	955613-238	Cover, contoured back, sz3, grey	1	PCS	5707292622518
8*	120682	Wombat back cushion contoured, sz. 1	1	PCS	5707292621719
	119782	Wombat back cushion contoured, sz. 2	1	PCS	5707292621788
	120687	Wombat back cushion contoured, sz. 3	1	PCS	5707292621870

* Choose color/size

Seat cushion, contoured (955021-238, 955022-238, 955023-238)

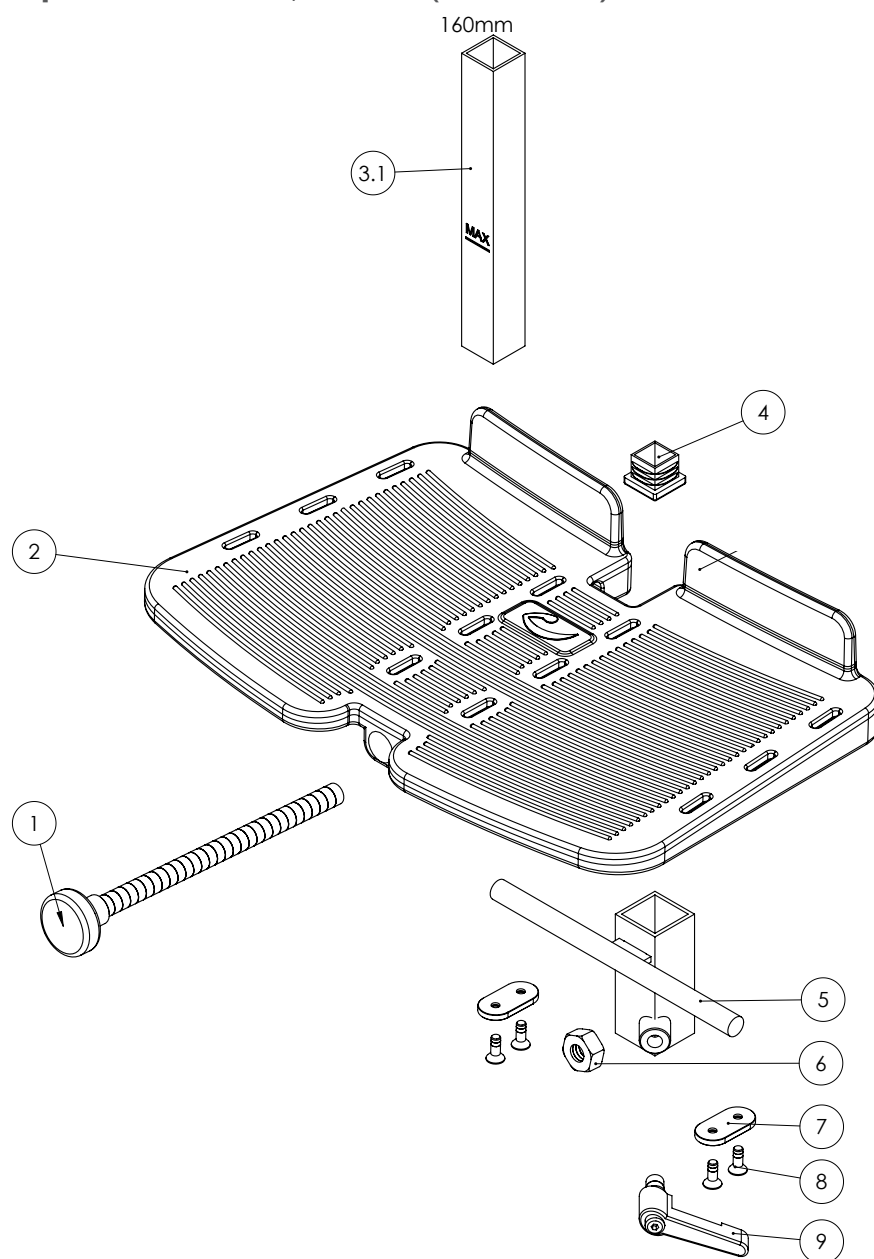


Item numbers for Seat cushion, contoured (955021-238, 955022-238, 955023-238)

Position	No.	Description	Quantity	Unit of Measure	Ean code
5*	955621-228	Cover,seat cushion sz.1, grey	1	PCS	5707292622587
	955622-228	Cover,seat cushion sz.2, grey	1	PCS	5707292622624
	955623-228	Cover,seat cushion sz.3, grey	1	PCS	5707292622655
6*	120929	Wombat sædehynde ant. str. 1	1	PCS	5707292621696
	120485	Wombat sædehynde anat. str. 2	1	PCS	5707292621764
	120935	Wombat sædehynde anat. str. 3	1	PCS	5707292621863

* Choose color/size

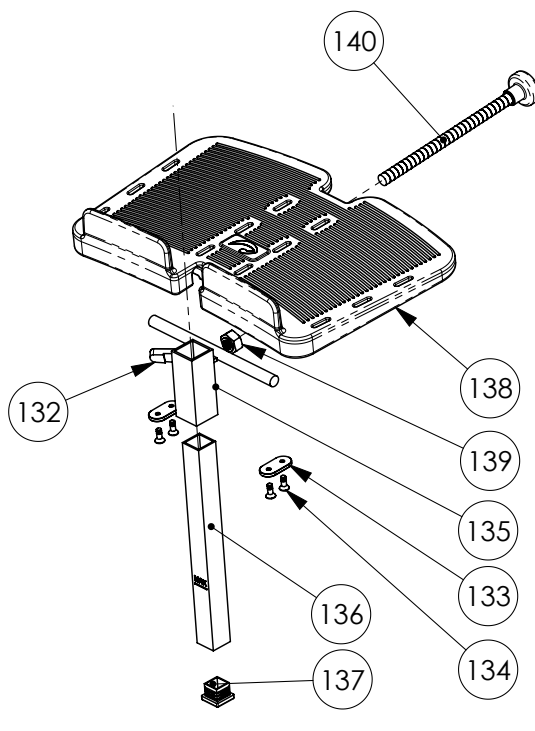
Foot plate with rod, size 1 (95144-0)



Item numbers for Foot plate with rod, size 1 (95144-0)

Position	No.	Description	Quantity	Unit of Measure	Ean code
1	3502780	Handle 28mm,M10*160mm thread	1	PCS	5707292363145
2	82944	Footplate size 1, Wombat	1	PCS	5707292125996
3.1	164036	Rod f. footplate size 1	1	PCS	5707292954589
4	2504500	Ferrule e20*1,0-2,0 int.black	1	PCS	5707292144126
5	82925	Support fitting	1	PCS	5707292125804
6	1604000	Steel nut 10 mm	1	PCS	5707292141293
7	82950	Hollow plate 16*32, Wombat	2	PCS	5707292126030
8	1940017	Sheet metal screw uhx4,2*13fzb	4	PCS	5707292142597
9	3502516	Tightening handle 45mm M8*16	1	PCS	5707292146915

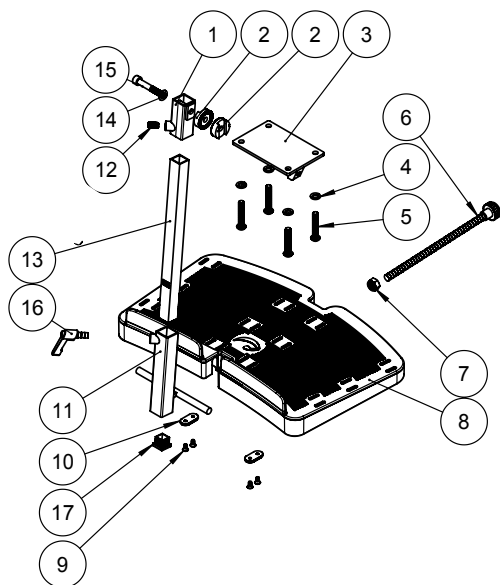
Foot plate with rod, size 2 (95144-2)



Item numbers for Foot plate with rod, size 2 (95144-2)

Position	No.	Description	Quantity	Unit of Measure	Ean code
132	3502516	Tightening handle 45mm M8*16	1	PCS	5707292146915
133	82950	Hollow plate 16*32, Wombat	2	PCS	5707292126030
134	1940017	Sheet metal screw uhx4,2*13fzb	4	PCS	5707292142597
135	82737	Pipe fitting long, Wombat 3	1	PCS	5707292399366
136	82927	Pipe for footplate, Wombat	1	PCS	5707292125828
137	2504500	Ferrule e20*1,0-2,0 int.black	1	PCS	5707292144126
138	82940	Footplate size.2, Wombat	1	PCS	5707292125958
139	1604000	Steel nut 10 mm	1	PCS	5707292141293
140	3502790	Hand grip 28mm, M10*196mm	1	PCS	5707292363152

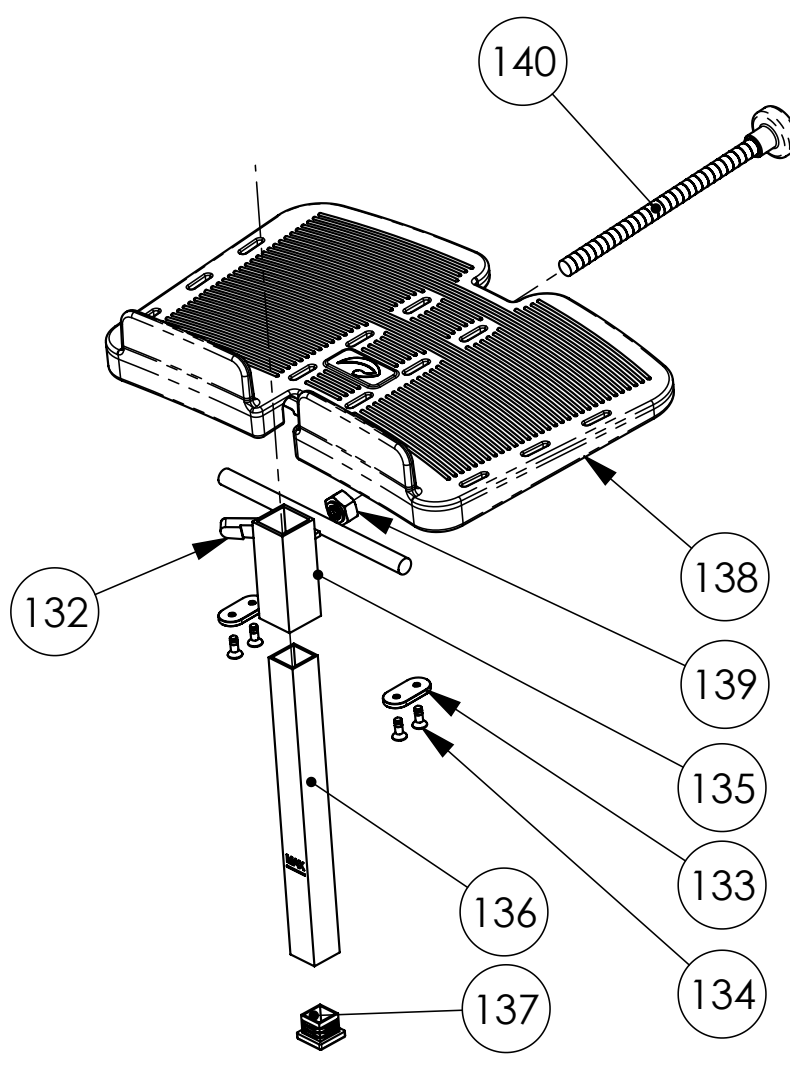
Foot plate with rod, size 3-4 (95144-3, 95144-4)



Item numbers for Foot plate with rod, size 3-4 (95144-3, 95144-4)

Position	No.	Description	Quantity	Unit of Measure	Ean code
1	82735	Fix for footrest	1	PCS	5707292399335
2	74061	Tooth washer Ø30	2	PCS	5707292373816
3	82734	Plate complete	1	PCS	5707292398932
4	1101000	Center spring washer 8mm	4	PCS	5707292140173
5	0661145	Button head 8*45 FZB	4	PCS	5707292139535
6	3502795	Knob 28mm,M10*??mm thread	1	PCS	5707292402110
7	1604000	Steel nut 10 mm	1	PCS	5707292141293
8*	82752	Footplate size 3, Wombat	1	PCS	5707292401373
	82752-1	Foot plate size 4	1	PCS	5707292519788
9	1940017	Sheet metal screw uhx4,2*13fzb	4	PCS	5707292142597
10	82950	Hollow plate 16*32, Wombat	2	PCS	5707292126030
11	82737	Pipe fitting long, Wombat 3	1	PCS	5707292399366
12	0701000	Stop screw with crater 8*10	1	PCS	5707292139870
13	82787	Rod for Wombat footrest 280 mm	1	PCS	5707292401472
14	1103200	Fazet washer 8*16*1,5mm, FZB	1	PCS	5707292140296
15	0603660	Insex screw 8*60	1	PCS	5707292138279
16	3502516	Tightening handle 45mm M8*16	1	PCS	5707292146915
17	2504500	Ferrule e20*1,0-2,0 int.black	1	PCS	5707292144126
* Choose color/size					

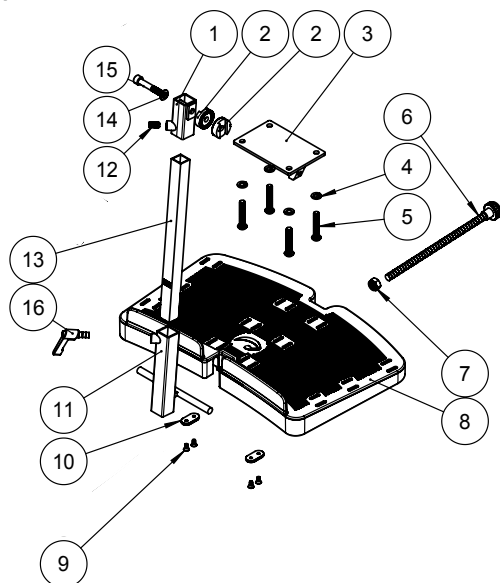
Foot plate without mounting fitting, Foot plate with 100 mm mounting fitting, size 2 (95145-1, 85145-2, 95145-2)



Item numbers for Foot plate without mounting fitting, Foot plate with 100 mm mounting fitting, size 2 (95145-1, 85145-2, 95145-2)

Position	No.	Description	Quantity	Unit of Measure	Ean code
132	3502516	Tightening handle 45mm M8*16	1	PCS	5707292146915
133	82950	Hollow plate 16*32, Wombat	2	PCS	5707292126030
134	1940017	Sheet metal screw uhx4,2*13fzb	4	PCS	5707292142597
135*	82737	Pipe fitting long, Wombat 3	1	PCS	5707292399366
	82925	Support fitting	1	PCS	5707292125804
136	82927	Pipe for footplate, Wombat	1	PCS	5707292125828
137	2504500	Ferrule e20*1,0-2,0 int.black	1	PCS	5707292144126
138*	82940	Footplate size.2, Wombat	1	PCS	5707292125958
	82944	Footplate size 1, Wombat	1	PCS	5707292125996
139	1604000	Steel nut 10 mm	1	PCS	5707292141293
140*	3502790	Hand grip 28mm, M10*196mm	1	PCS	5707292363152
	3502780	Handle 28mm,M10*160mm thread	1	PCS	5707292363145

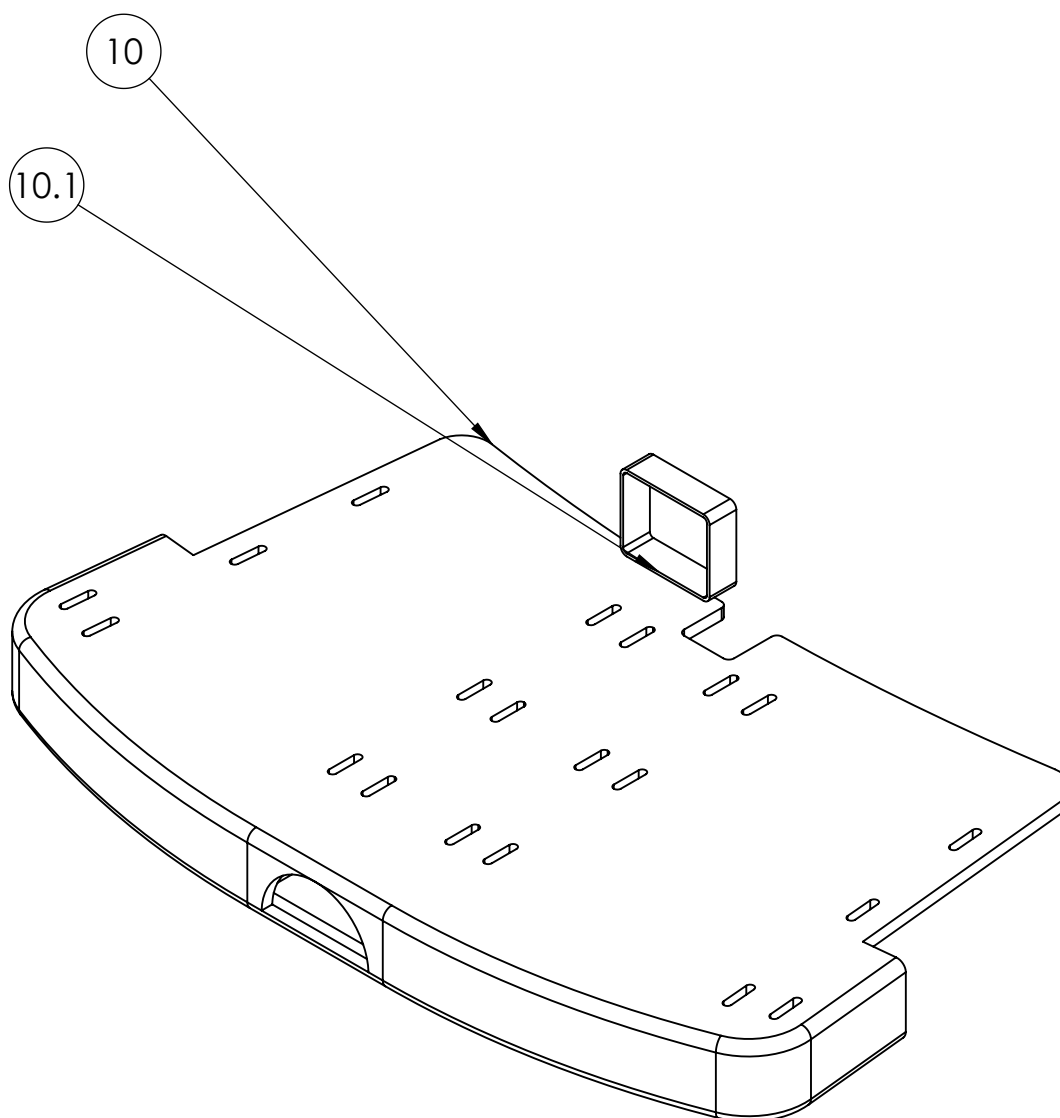
Foot plate with 100 mm mounting fitting, size 3-4 (95145-3, 95145-4)



Item numbers for Foot plate without mounting fitting, Foot plate with 100 mm mounting fitting, size 2 (95145-1, 85145-2, 95145-2)

Position	No.	Description	Quantity	Unit of Measure	Ean code
6	3502795	Knob 28mm,M10*??mm thread	1	PCS	5707292402110
7	1604000	Steel nut 10 mm	1	PCS	5707292141293
8	82752	Footplate size 3, Wombat	1	PCS	5707292401373
8	82752-1	Foot plate size 4	1	PCS	5707292519788
9	1940017	Sheet metal screw uhx4,2*13fzb	4	PCS	5707292142597
10	82950	Hollow plate 16*32, Wombat	2	PCS	5707292126030
11	82737	Pipe fitting long, Wombat 3	1	PCS	5707292399366
16	3502516	Tightening handle 45mm M8*16	1	PCS	5707292146915

Foot plate padding (95145-1PAD, 95145-2PAD, 95145-3PAD)

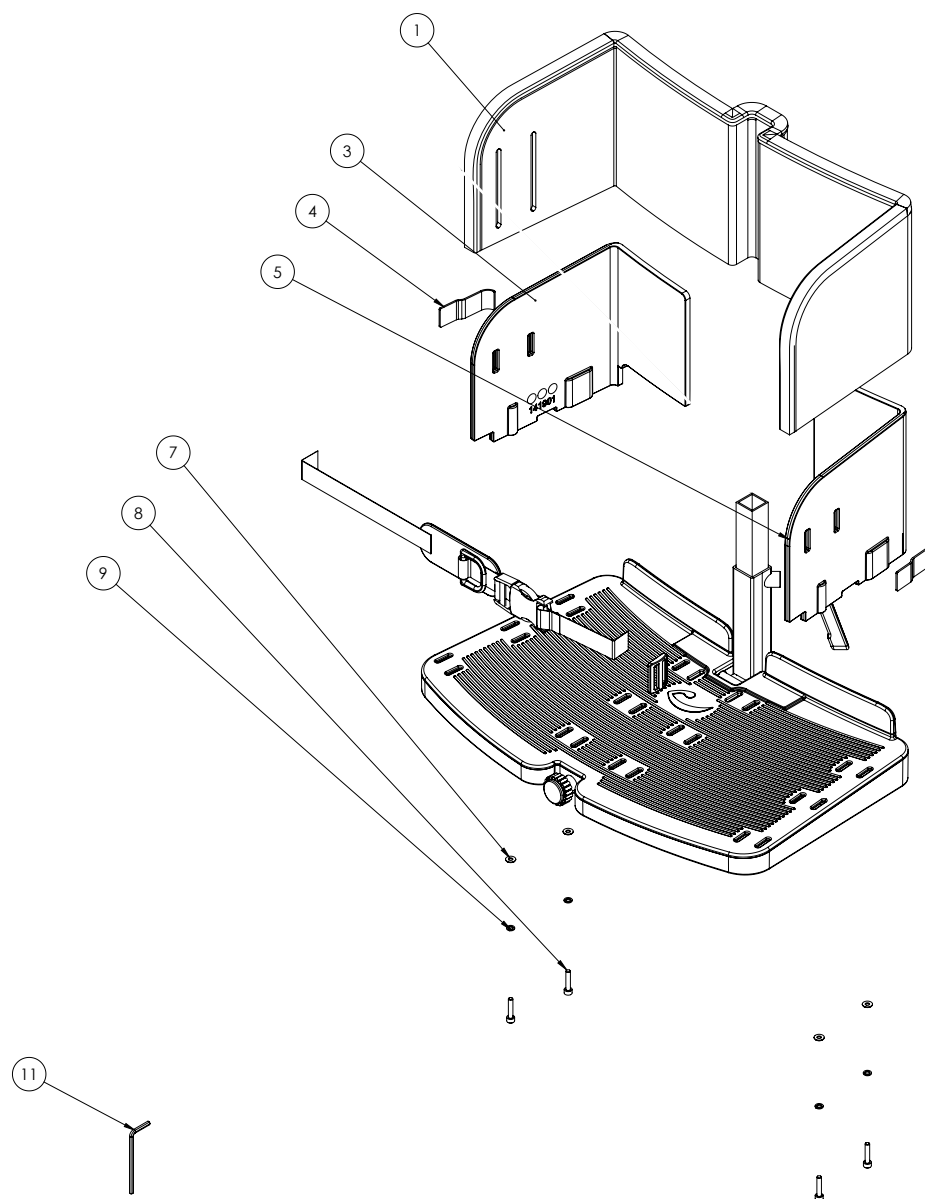


Item numbers for Foot plate padding (95145-1PAD, 95145-2PAD, 95145-3PAD)

Position	No.	Description	Quantity	Unit of Measure	Ean code
10*	147553	Cover for footbox plate size 1	1	PCS	5707292902467
	147555	Cover for footbox plate size 3	1	PCS	5707292902481
	147554	Cover for footbox plate size 2	1	PCS	5707292902474
10.1	150737	Strap for footbox plate	1	PCS	5707292916785

* Choose color/size

Foot box kit - plate corners and padding for foot plate (95145-1BOX, 95145-2BOX, 95145-3BOX)

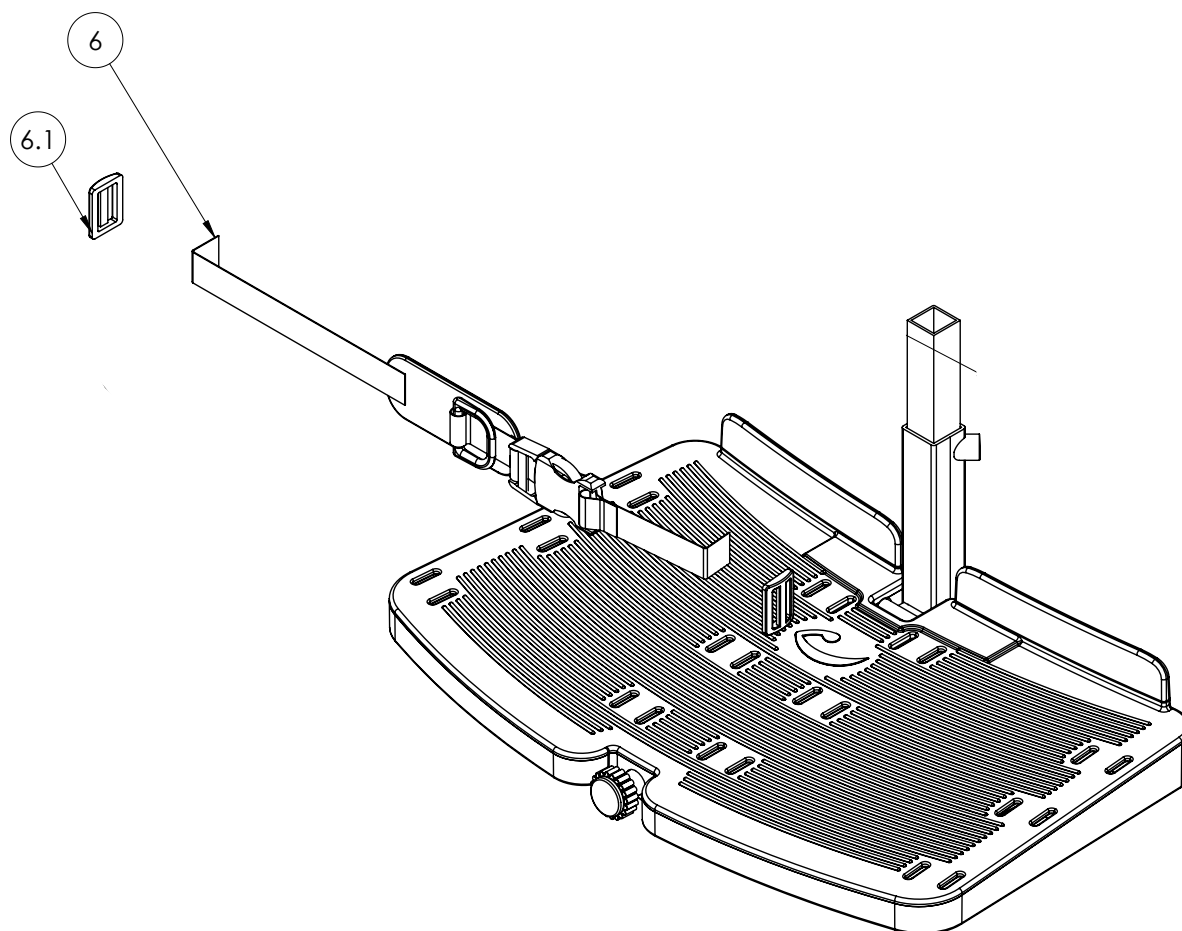


Item numbers for Foot box kit - plate corners and padding for foot plate (95145-1BOX, 95145-2BOX, 95145-3BOX)

Position	No.	Description	Quantity	Unit of Measure	Ean code
1*	147384	Cover for footbox size 1	1	PCS	5707292902436
	147385	Cover for footbox size 2	1	PCS	5707292902443
	147386	Cover for footbox size 3	1	PCS	5707292902450
3	141901	Footrest protector size 1-2-3, right	1	PCS	5707292902368
4	4913040	30mm adhesive hook, black	0,06	MTR	5707292786517
5	141898	Footrest protector size 1-2-3, left	1	PCS	5707292902375
7	1102800	Fazet washer 4mm	4	PCS	5707292140265
8	0609721	Insex 4*20 FZB	4	PCS	5707292439222
9	1100484	Spring washer M4, stainless	4	PCS	5707292882349
11	0589380	Insex key n3 FZB din911	1	PCS	5707292137845

* Choose color/size

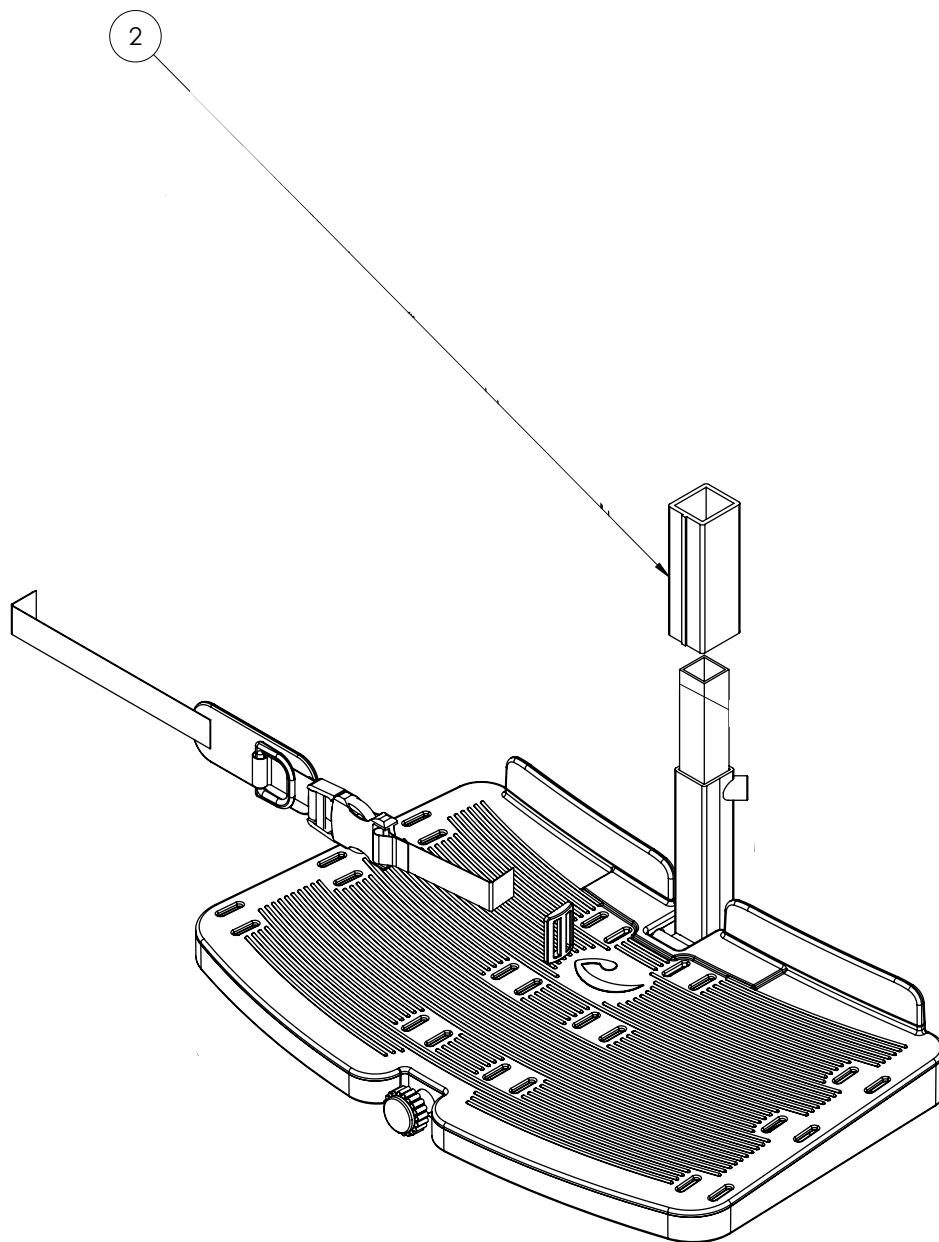
Strap for foot box (95145-20)



Item numbers for Strap for foot box (95145-20)

Position	No.	Description	Quantity	Unit of Measure	Ean code
6	147556	Belt for footboxplate sz 1-3	1	PCS	5707292902498
6.1	0467000	Belt clamp 25 mm black	2	PCS	5707292136558

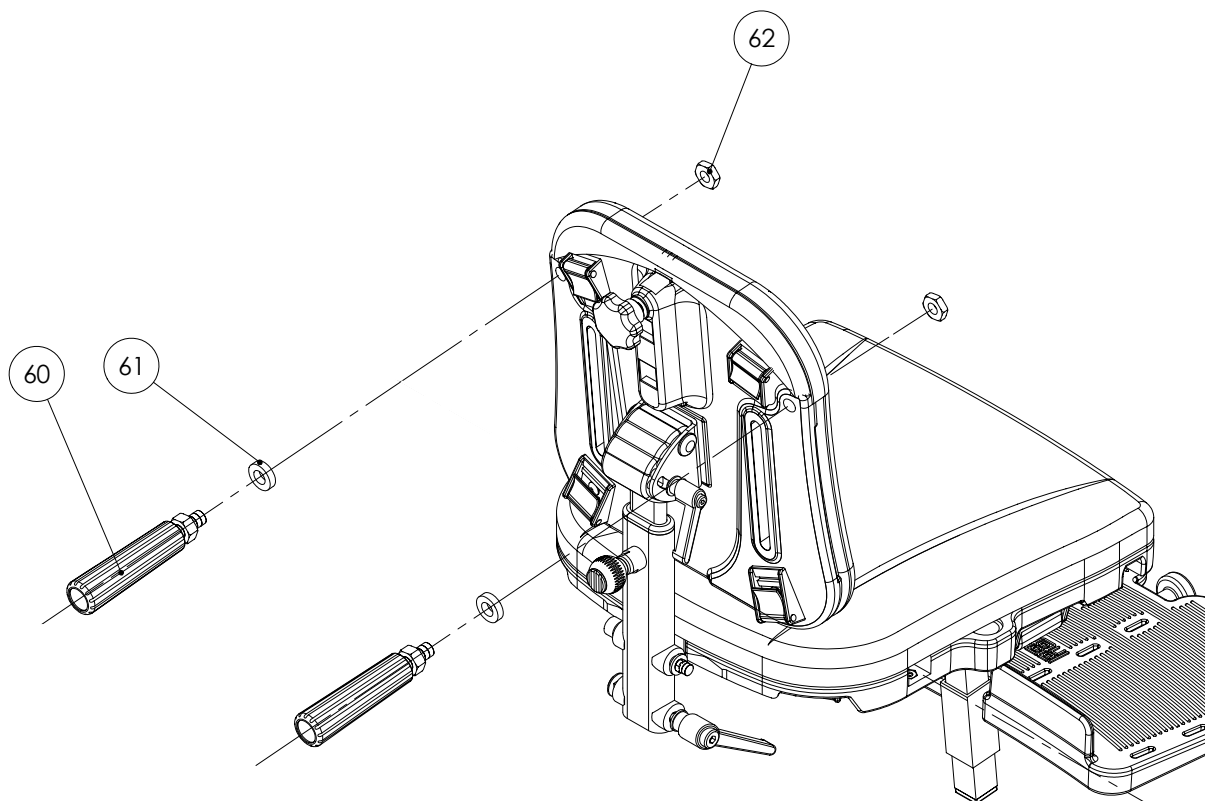
Padding for foot plate rod (95245-150)



Item numbers for Padding for foot plate rod (95245-150)

Position	No.	Description	Quantity	Unit of Measure	Ean code
2	147557	Pipe cover for footbox plate	1	PCS	5707292902504

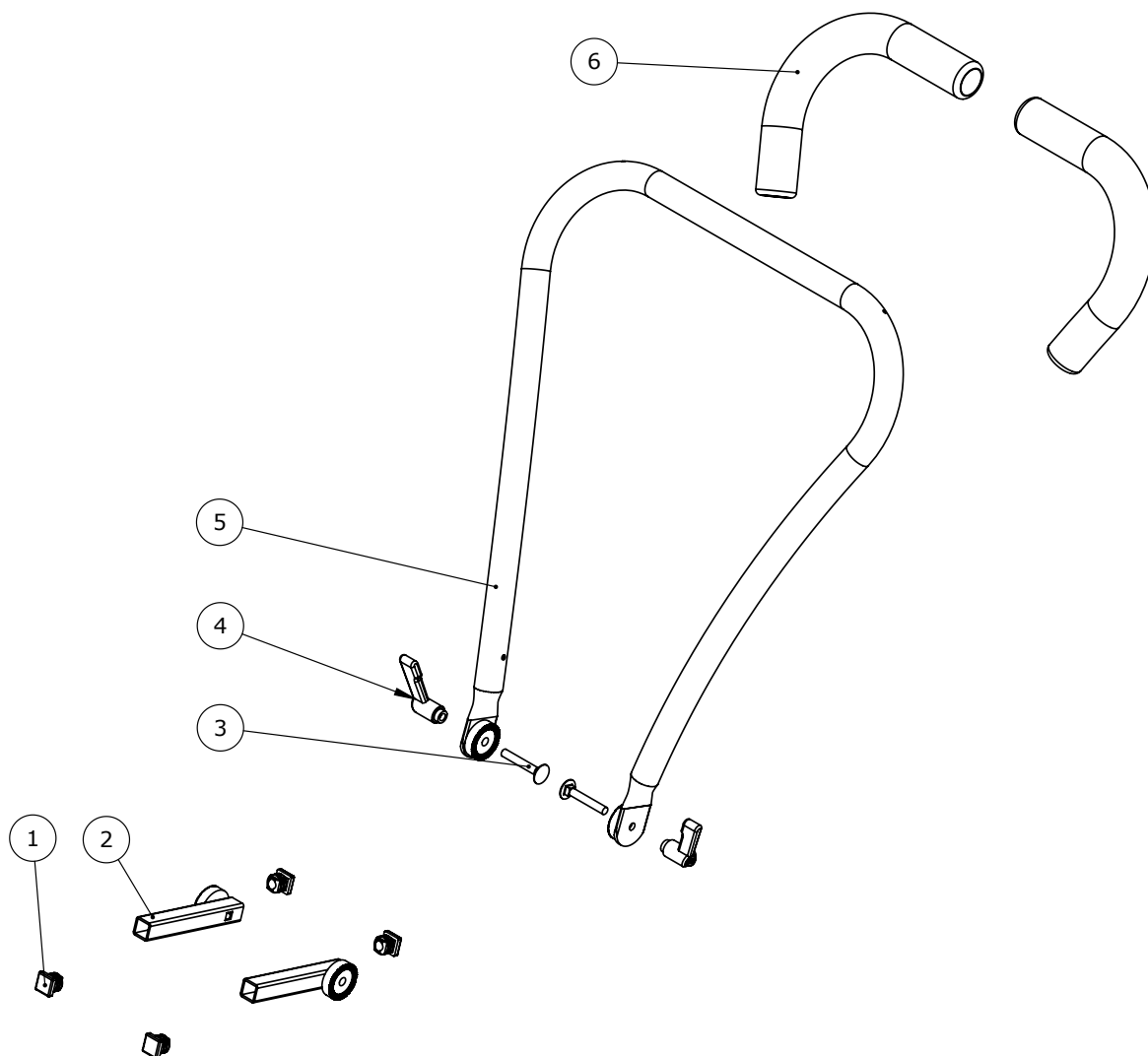
Helper's handles, fold down (95145)



Item numbers for Helper's handles, fold down (95145)

Position	No.	Description	Quantity	Unit of Measure	Ean code
60	3805100	Handle w/tilt 90*25 M10 black	2	PCS	5707292147264
61	1354520	Spacer black 5*20*10,5mm	2	PCS	5707292140982
62	1760010	Compensating nut M10,fzb	2	PCS	5707292141514

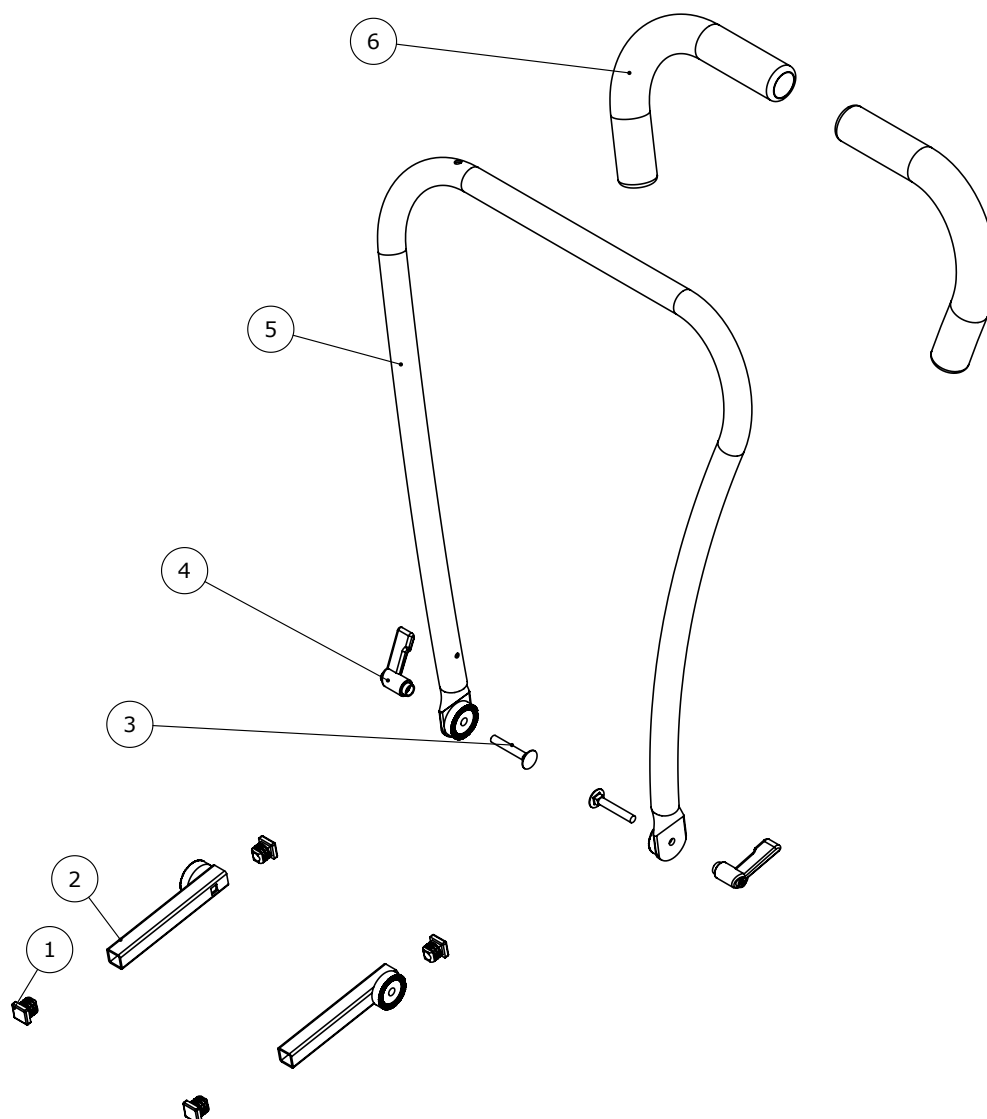
Angle adjustable push brace, seat mounted for size 1+2 (95148-0)



Item numbers for Angle adjustable push brace, seat mounted for size 1+2 (95148-0)

Position	No.	Description	Quantity	Unit of Measure	Ean code
1	2504000	Ferrule e15*1,0-2,0 int.black	4	PCS	5707292144102
2	163792	Bracket for handbrace	2	PCS	5707292954596
3	1905380	bræddebolt m6*40	2	PCS	5707292785671
4	3502200	Tightening handle 42mm M6 bush	2	PCS	5707292146861
5	119439	Handbrace size 1 Wombat	1	PCS	5707292622112
6	2500520	Tpe cover Ø20mm	2	PCS	5707292401649

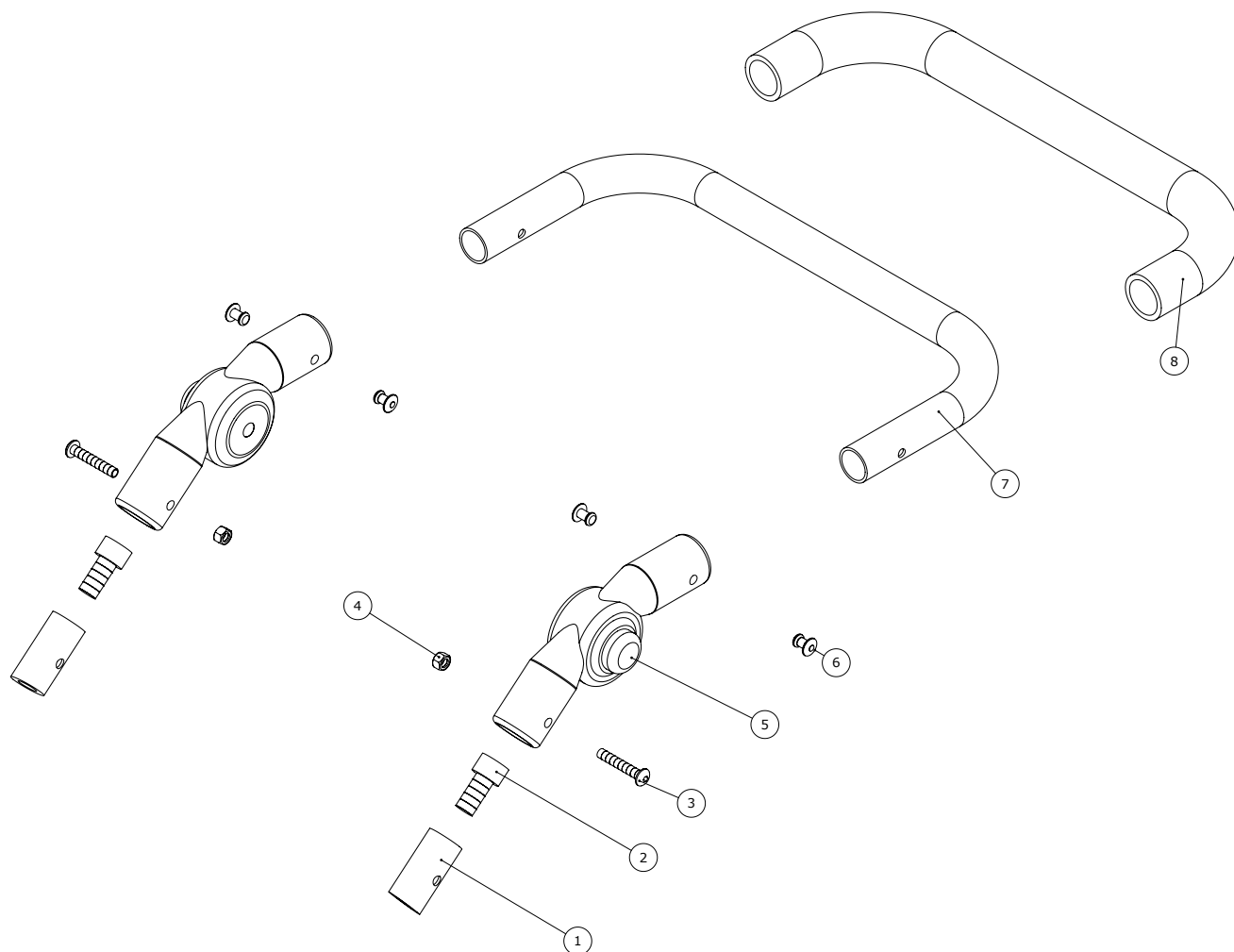
Angle adjustable push brace, seat mounted for size 3 (95148-3)



Item numbers for Angle adjustable push brace, seat mounted for size 3 (95148-3)

Position	No.	Description	Quantity	Unit of Measure	Ean code
1	2504000	Ferrule e15*1,0-2,0 int.black	4	PCS	5707292144102
2	134288	Bracket for handbrake	2	PCS	5707292804488
3	1905380	bræddebolt m6*40	2	PCS	5707292785671
4	3502200	Tightening handle 42mm M6 bush	2	PCS	5707292146861
5	120635	Handbrake size 2 Wombat welded	1	PCS	5707292622181
6	2500520	Tpe cover Ø20mm	2	PCS	5707292401649

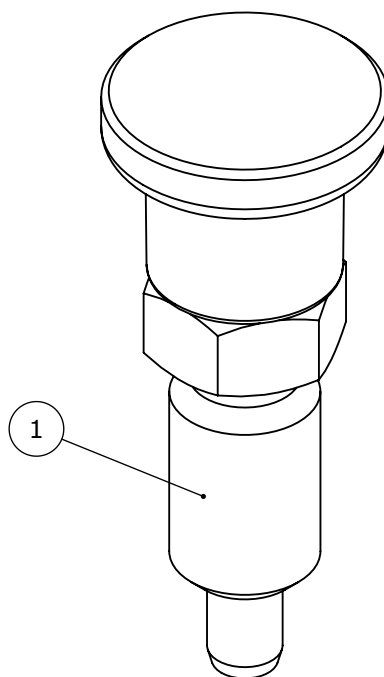
Angle adjustable push brace (95147)



Item numbers for Angle adjustable push brace (95147)

Position	No.	Description	Quantity	Unit of Measure	Ean code
1	80705	Bush for handbrace	2	PCS	5707292436900
2	0604000	Insex screw 10*20	2	PCS	5707292138361
3	0640935	Button head M5*35 stainless	2	PCS	5707292485748
4	1606300	Lock nut 5 mm	2	PCS	5707292141354
5	0553090	Locking joint diam 20mm	2	PCS	5707292482235
6	0506508	Rivet 5*14, stainless	4	PCS	5707292359476
7	80706	Tube for handbrace	1	PCS	5707292436917
8	2500550	Grip 700mm length for Ø20mm	1	PCS	5707292388520

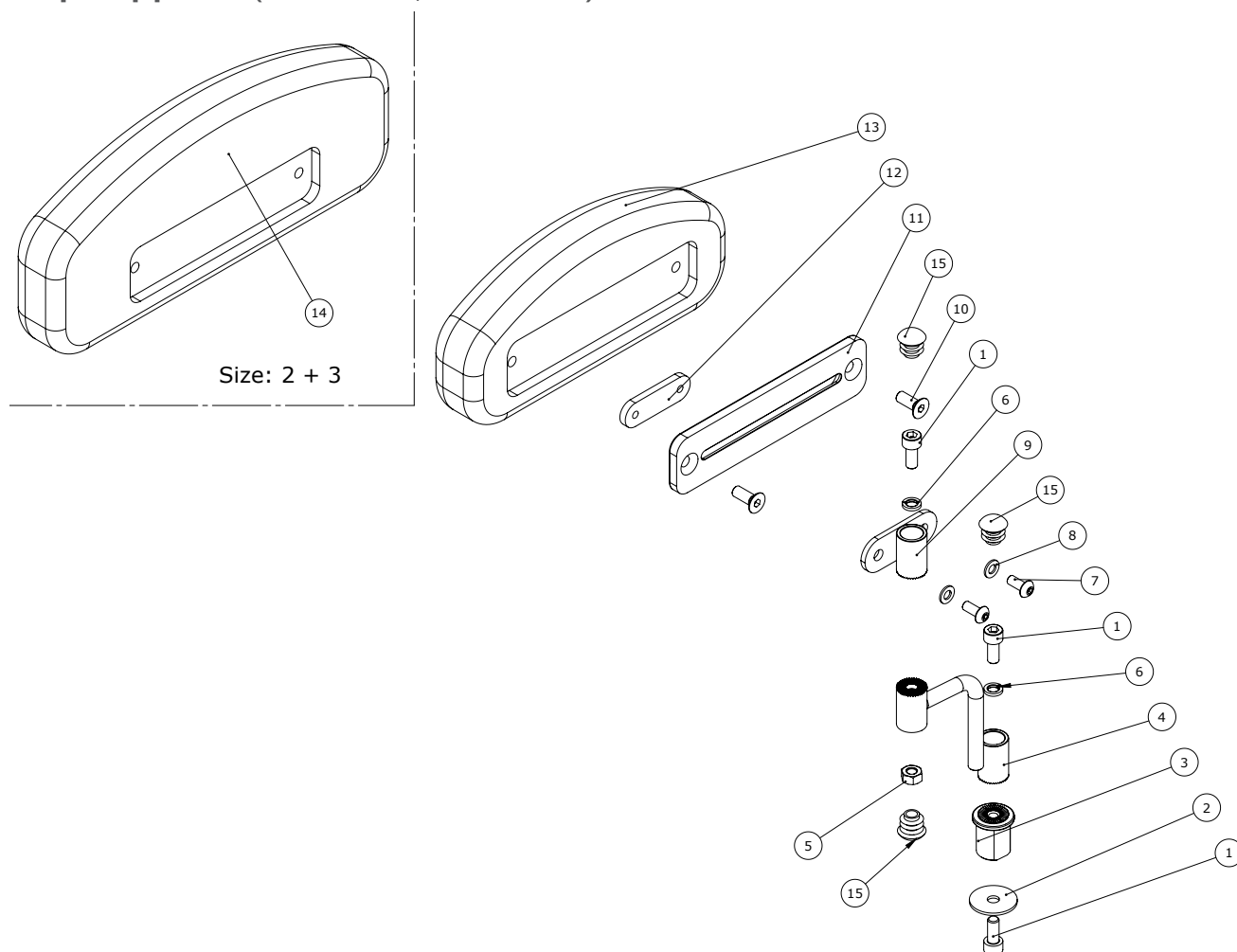
Lock of height adjustment (890024)



Item numbers for Lock of height adjustment (890024)

Position	No.	Description	Quantity	Unit of Measure	Ean code
1	0380175	Positioneringsbolt	1	PCS	5707292926951
2	1761000	Counter nut 10*1,0 fine thread	1	PCS	5707292141538

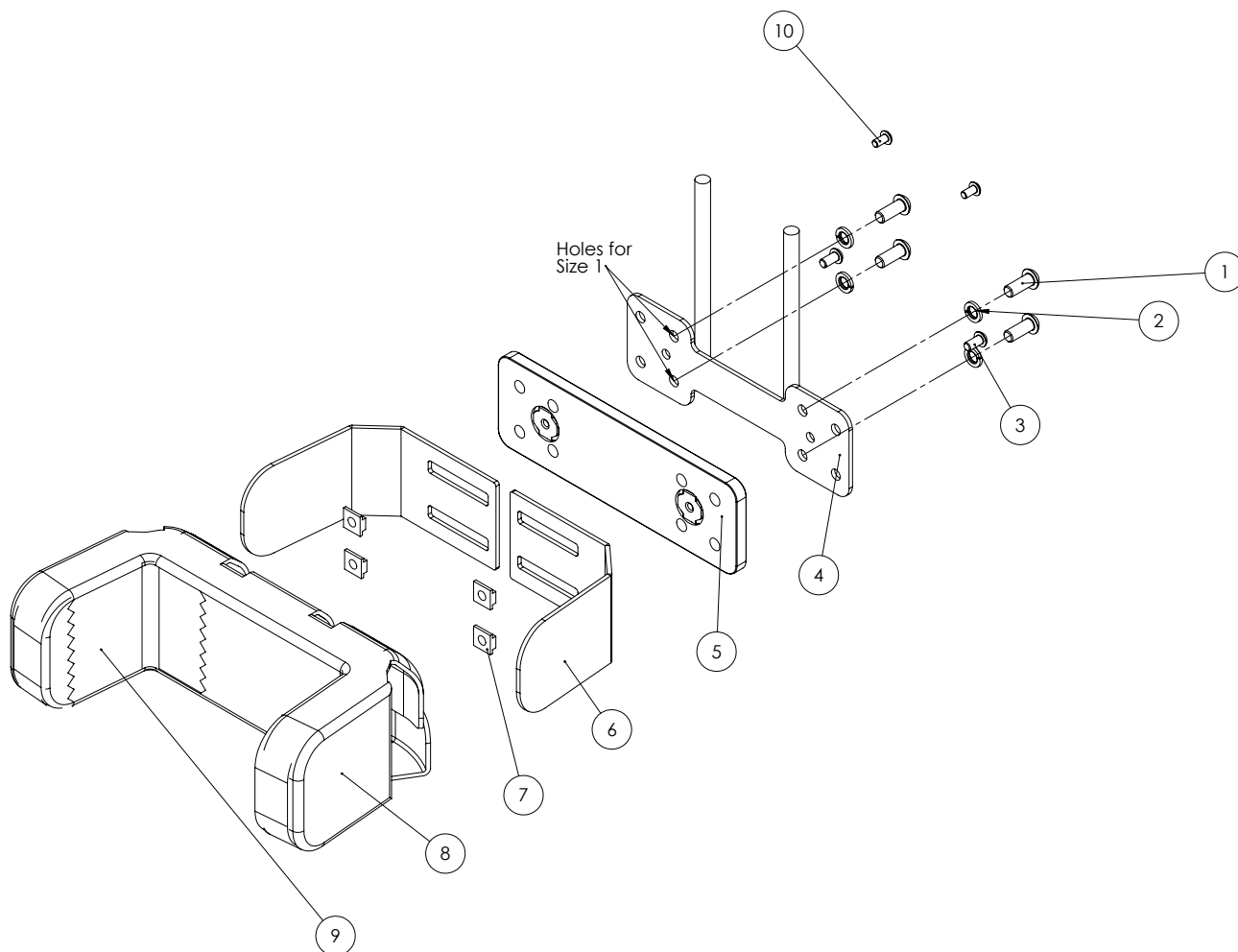
Hip supports (95110-1, 95111-1)



Item numbers for Hip supports (95110-1, 95111-1)

Position	No.	Description	Quantity	Unit of Measure	Ean code
1	0602199	Insex M6*14, FZB	6	PCS	5707292806000
2	1102775	M 6,4*25*1,5 plan disc	2	PCS	5707292785657
3	128356	Tooth bracket	2	PCS	5707292794727
4	126920	Hip support assembly	2	PCS	5707292785558
5	1603000	Steel nut 6 mm	2	PCS	5707292141279
6	1100900	Spring washer M6 fzb, 6.1/9.9	4	PCS	5707292459336
7	0658012	Button head M5*12 FZB	4	PCS	5707292139382
8	1102902	Washer 5mm, A2	4	PCS	5707292411280
9	127886	Tooth disc bracket for Hip Sup	2	PCS	5707292786388
10	0621600	Insex screw counters. 6*16	4	PCS	5707292138965
11	82953	Plate for hip support	2	PCS	5707292126047
12	82974	Threaded plate for hip support	2	PCS	5707292126184
13	6175171	Cushion size 1	2	PCS	5707292189301
14	6175172	Cushion size 2	2	PCS	5707292189318
15	2501600	Ferrule d15*1,0 black	6	PCS	5707292143969

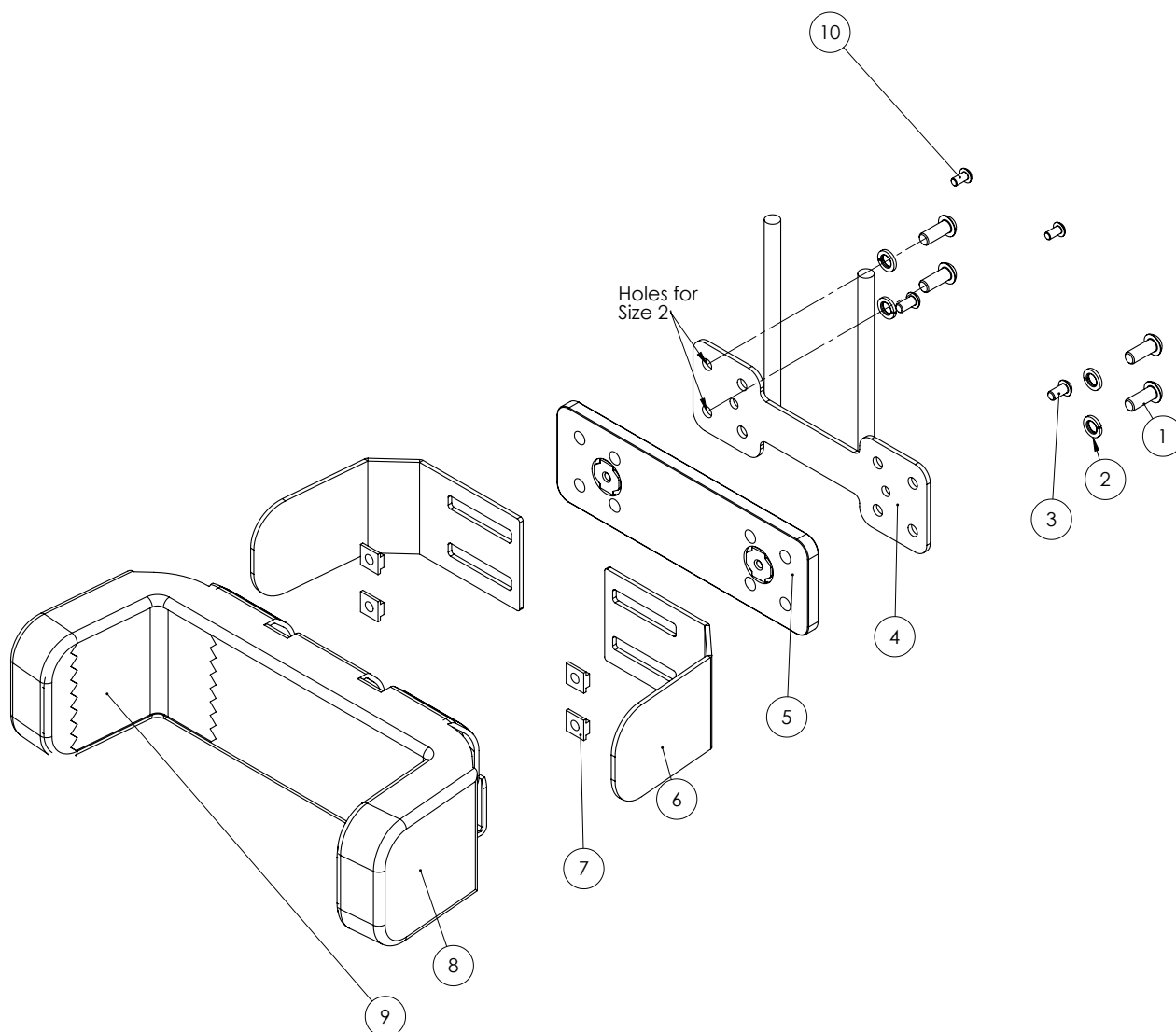
Pelvis support with sides, size 1 (95140-64)



Item numbers for Pelvis support with sides, size 1 (95140-64)

Position	No.	Description	Quantity	Unit of Measure	Ean code
1	0662000	Button head screw 8*20 stainl.	4	PCS	5707292139573
2	1100500	Spring washer 8mm, stainless	4	PCS	5707292140142
3	0641200	Button head screw 6*12	2	PCS	5707292139252
4	126965	Lumbar support bracket	1	PCS	5707292785589
5	127681	Plate w yelo nut low back supp, size 1-2	1	PCS	5707292786975
6	126967	lumbar back support left	2	PCS	5707292782502
7	75203	M8 nut	4	PCS	5707292437570
8	128368	Cover for sacrum Support size1	1	PCS	5707292807328
9	128224-1	Foam with sides size 1	1	PCS	5707292807281
10	0640910	Button head M5*10 FZB	2	PCS	5707292380142

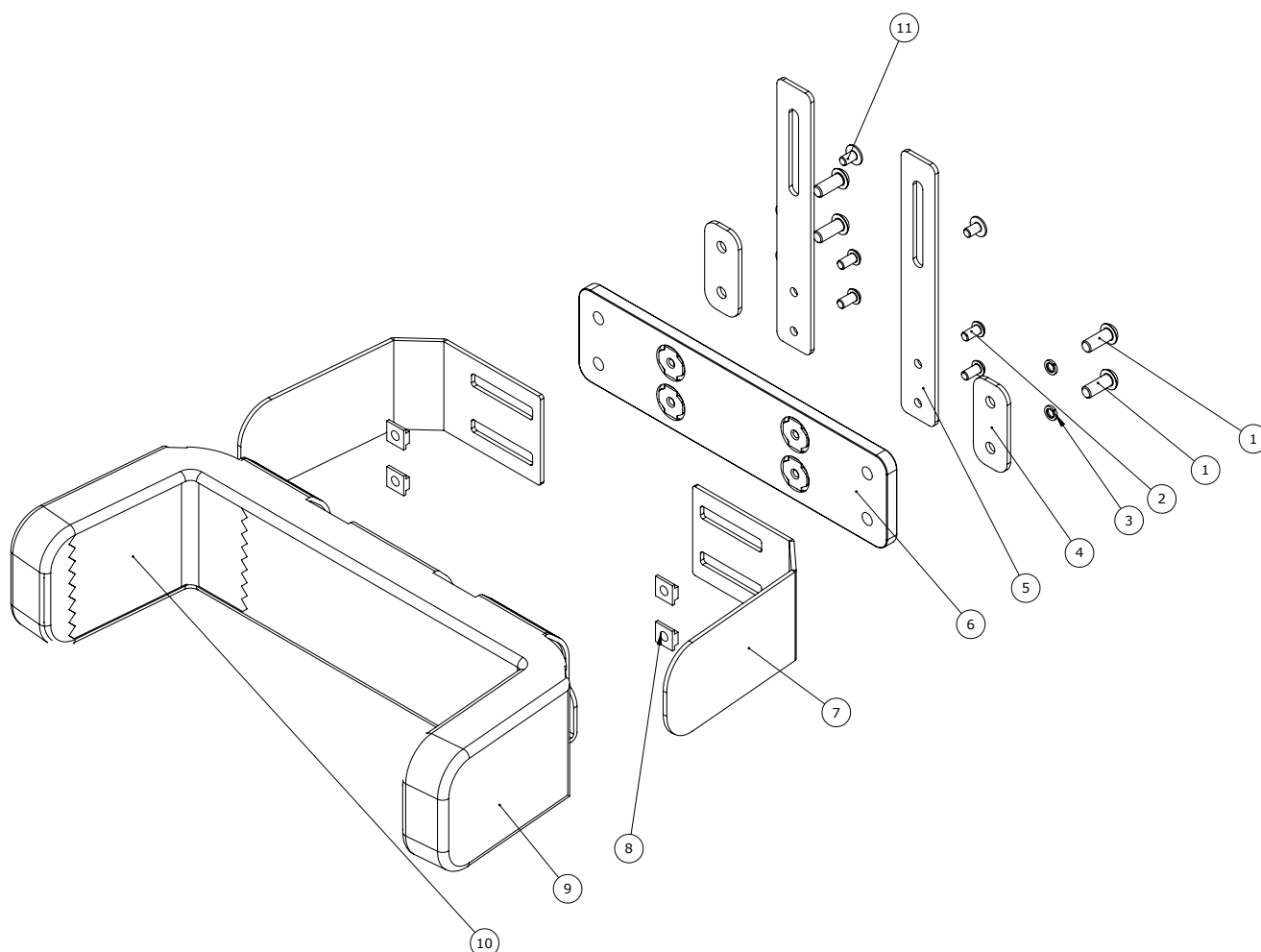
Pelvis support with sides, size 2 (95140-65)



Item numbers for Pelvis support with sides, size 2 (95140-65)

Position	No.	Description	Quantity	Unit of Measure	Ean code
1	0662000	Button head screw 8*20 stainl.	4	PCS	5707292139573
2	1100500	Spring washer 8mm, stainless	4	PCS	5707292140142
3	0641200	Button head screw 6*12	2	PCS	5707292139252
4	126965	Lumbar support bracket	1	PCS	5707292785589
5	127681	Plate w yelo nut low back supp, size 1-2	1	PCS	5707292786975
6	126967	lumbar back support left	2	PCS	5707292782502
7	75203	M8 nut	4	PCS	5707292437570
8	128280	Cover for sacrum Support size2	1	PCS	5707292807335
9	128281-1	Foamwidth sides size 2	1	PCS	5707292807298
10	0640910	Button head M5*10 FZB	2	PCS	5707292380142

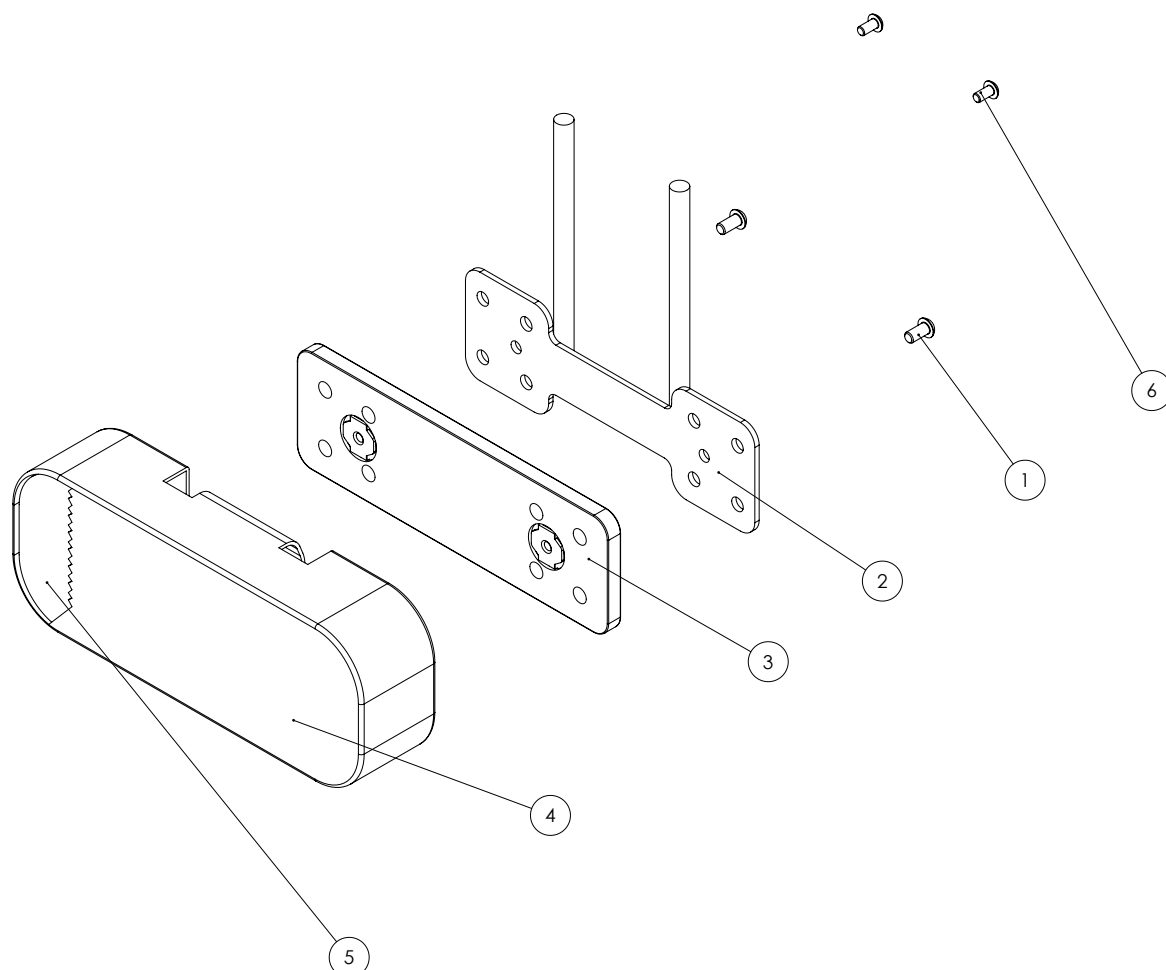
Pelvis support with sides, size 3 (95140-66)



Item numbers for Pelvis support with sides, size 3 (95140-66)

Position	No.	Description	Quantity	Unit of Measure	Ean code
1	0661500	Button head screw 8*16 stainl.	4	PCS	5707292139559
2	0641200	Button head screw 6*12	4	PCS	5707292139252
3	1100900	Spring washer M6 fzb, 6.1/9.9	4	PCS	5707292459336
4	127034	Plate for lumbar support	2	PCS	5707292782441
5	127608	Plate for lumbar support, size 3	2	PCS	5707292787019
6	127677	Plate w yelo not low back supp, size 3	1	PCS	5707292786968
7	127037	lower back support	2	PCS	5707292782489
8	75203	M8 nut	4	PCS	5707292437570
9	128354	Cover for sacrum Support size3	1	PCS	5707292807342
10	128348-1	Foam with sides size 3	1	PCS	5707292807304
11	0659010	Button head with flange M6*10	2	PCS	5707292356819

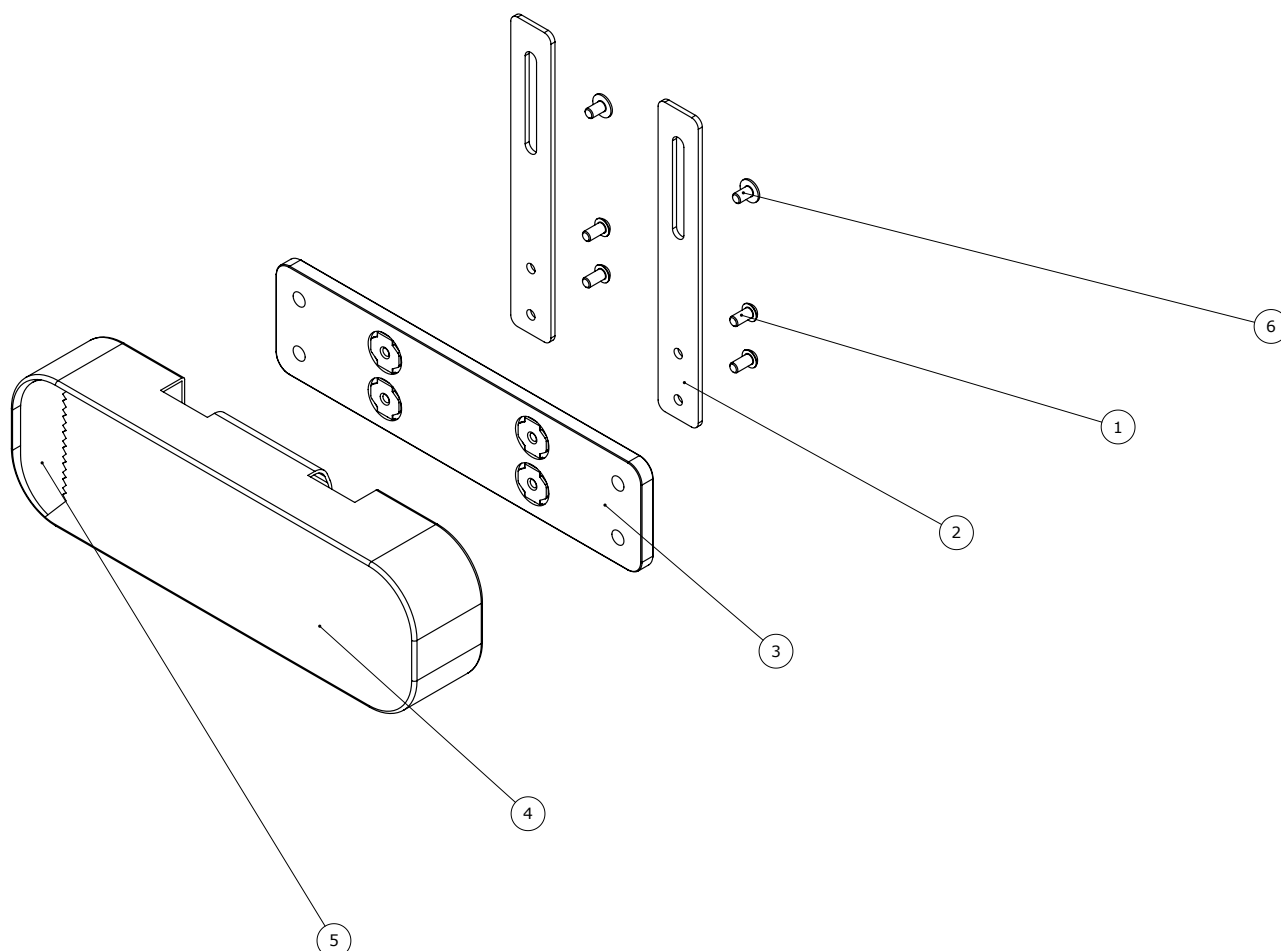
Pelvis support without sides, size 1-2 (95140-61)



Item numbers for Pelvis support without sides, size 1-2 (95140-61)

Position	No.	Description	Quantity	Unit of Measure	Ean code
1	0641200	Button head screw 6*12	2	PCS	5707292139252
2	126965	Lumbar support bracket	1	PCS	5707292785589
3	127681	Plate w yelo nut low back supp, size 1-2	1	PCS	5707292786975
4	128366	Cover for sacrum Support zs1+2	1	PCS	5707292806468
5	128372-1	Foam straight size 1-2	1	PCS	5707292807267
6	0640910	Button head M5*10 FZB	2	PCS	5707292380142

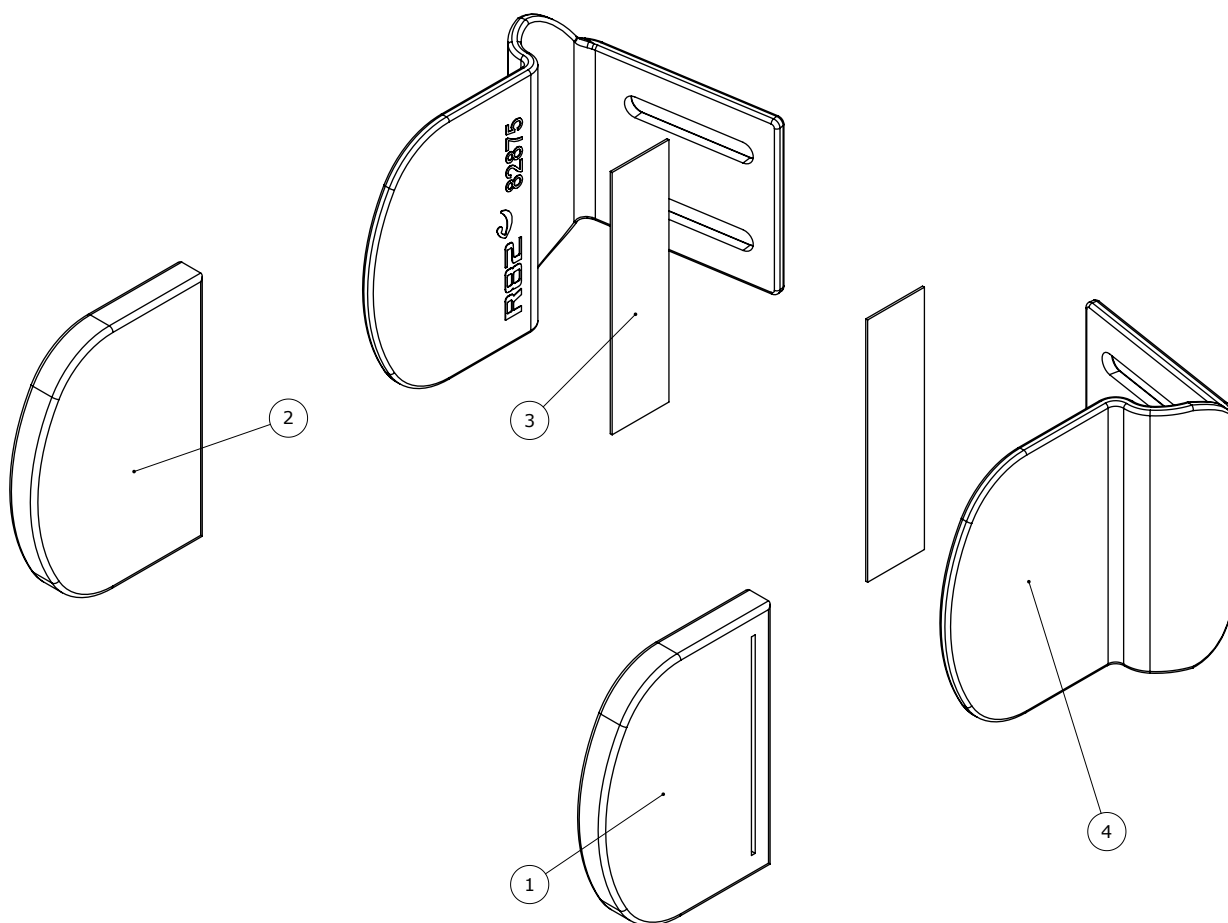
Pelvis support without sides, size 3 (95140-63)



Item numbers for Pelvis support without sides, size 3 (95140-63)

Position	No.	Description	Quantity	Unit of Measure	Ean code
1	0641200	Button head screw 6*12	4	PCS	5707292139252
2	127608	Plate for lumbar support, size 3	2	PCS	5707292787019
3	127677	Plate w yelo not low back supp, size 3	1	PCS	5707292786968
4	128377	Cover for sacrum Support size3	1	PCS	5707292807311
5	128376-1	Foam straight size 3	1	PCS	5707292807274
6	0659010	Button head with flange M6*10	2	PCS	5707292356819

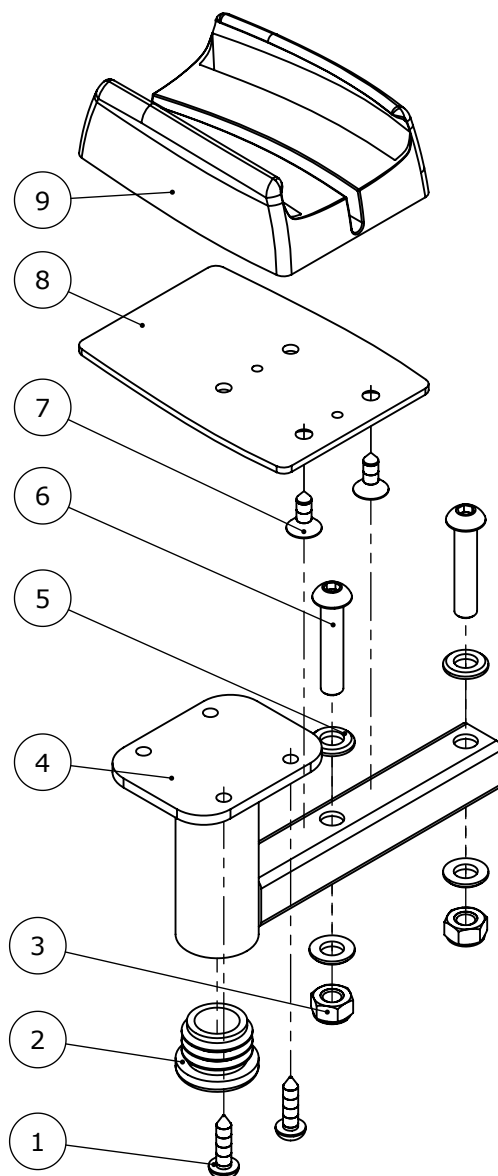
Fixed side supports, with covers (95121)



Item numbers for Fixed side supports, with covers (95121)

Position	No.	Description	Quantity	Unit of Measure	Ean code
1+2	121396	betræk til sidesupport	1	SET	5707292632050
3	4913040	30mm adhesive hook, black	0,2	MTR	5707292786517
4	82875	Sidesupports for Wombat	2	PCS	5707292364302

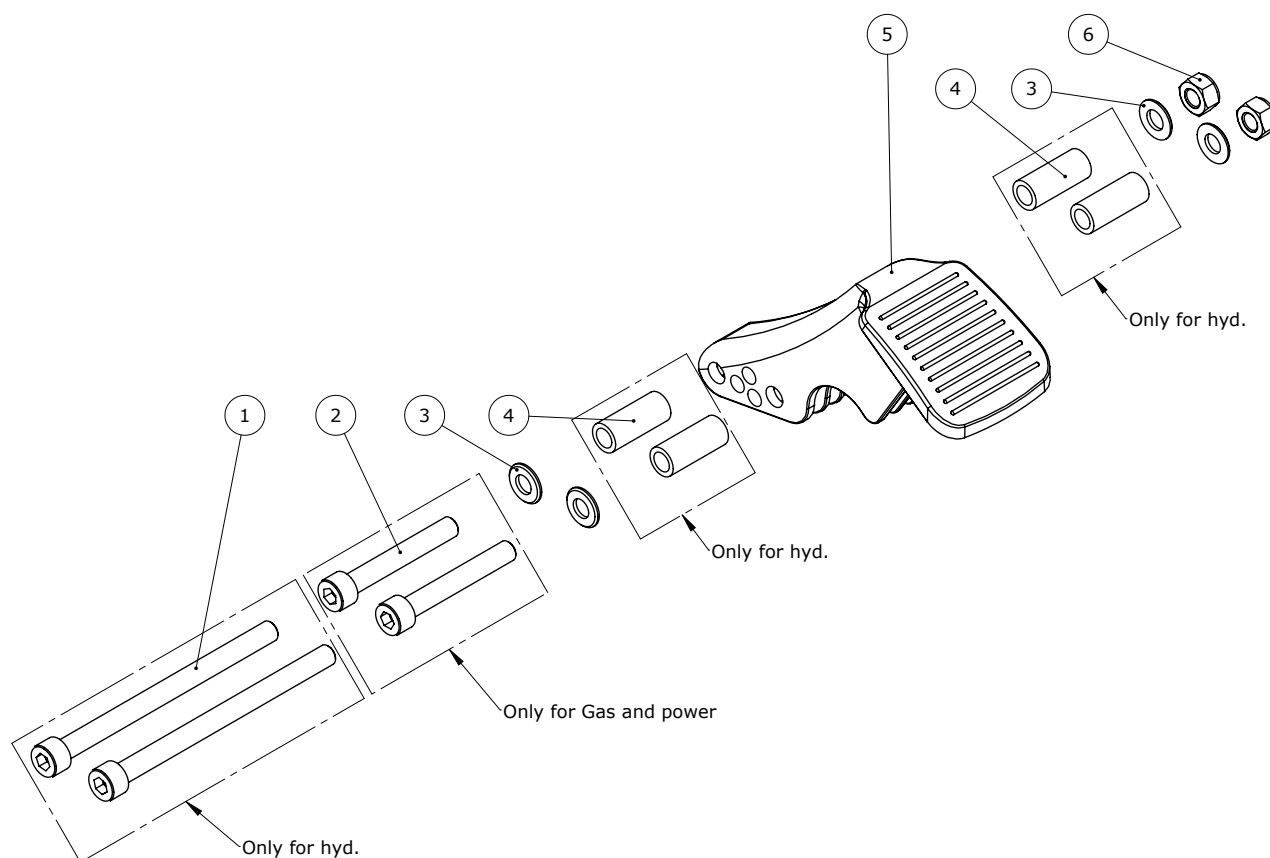
Holder for remote (95541)



Item numbers for Holder for remote (95541)

Position	No.	Description	Quantity	Unit of Measure	Ean code
1	1940007	Eco syn 4*16 torx	2	PCS	5707292520593
2	2503010	Ferrule d22*1,8-3,5, black	1	PCS	5707292357632
3	1606500	Lock nut 6 mm	2	PCS	5707292141361
4	164398-04	Remote holder welded	1	PCS	5707292960313
5	1103000	Fazet washer 6mm	4	PCS	5707292140289
6	0659580	Button head screw 6*30 mm	2	PCS	5707292139481
7	1940041	Eco-syn uh Ø4x12	2	PCS	5707292518316
8	164043-04	Plate for R.C. holder f. linak	1	PCS	5707292954572
9	153262	R.C Holder f. LINAK	1	PCS	5707292959317

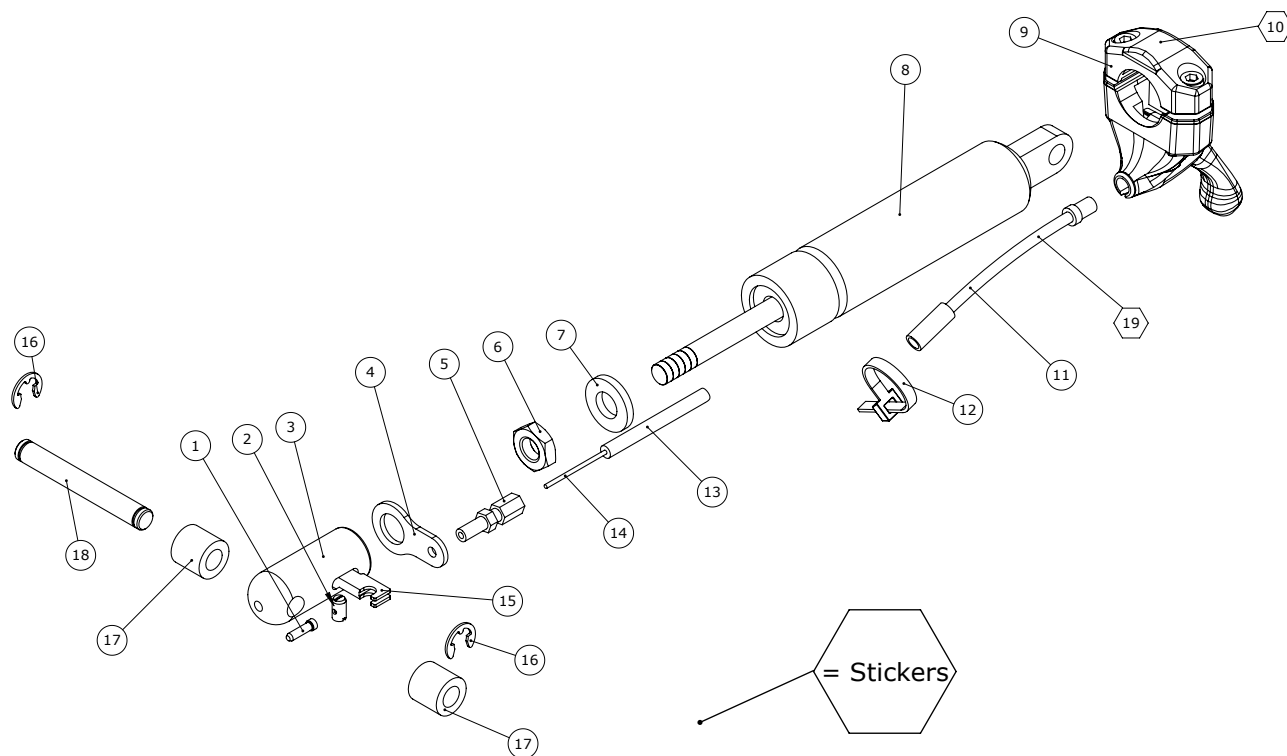
Threshold assistance (890025, 890026)



Item numbers for Threshold assistance (890025, 890026)

Position	No.	Description	Quantity	Unit of Measure	Ean code
1	0603975	Insex screw 8*110	2	PCS	5707292138330
2	0603600	Insex screw 8*55	2	PCS	5707292138262
3	1103200	Fazet washer 8*16*1,5mm, FZB	4	PCS	5707292140296
4	150136	Distance bush for hyd. cb.	4	PCS	5707292914491
5	139326	Tip support	1	PCS	5707292910868
6	1607000	Lock nut 8mm, large pack	2	PCS	5707292141378

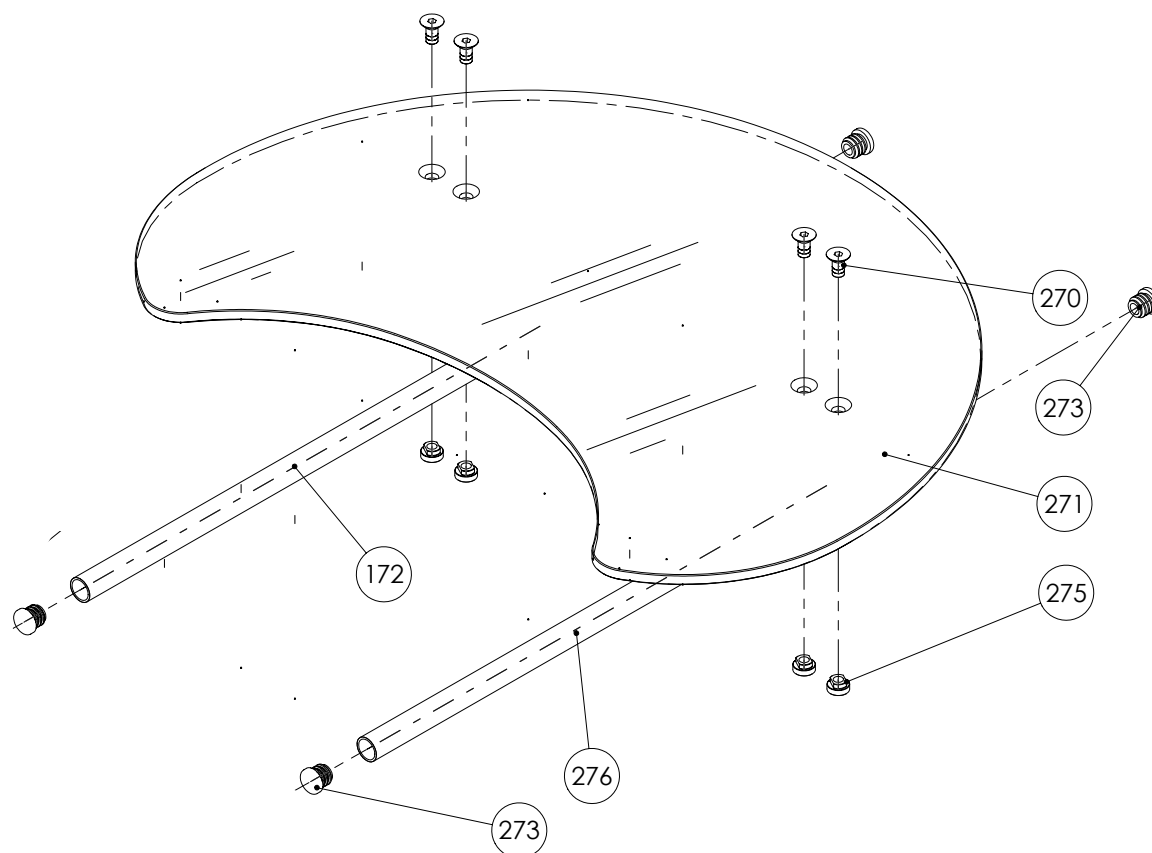
Tilt lever kit for retrofitting on push brace, size 1-2 (163271, 95149)



Item numbers for Tilt lever kit for retrofitting on push brace, size 1-2 (163271, 95149)

Position	No.	Description	Quantity	Unit of Measure	Ean code
1	0387000	End nipple for outer casing	1	PCS	5707292136091
2	0388006	Screwnipple 5*7,5mm	1	PCS	5707292136114
3	6118821	Horizontal release, Wombat	1	PCS	5707292186737
4	82268	Wire mounting by pedal	1	PCS	5707292123039
5	0380000	Cable tighter M5*18	1	PCS	5707292135933
6	1760010	Compensating nut M10,fzb	1	PCS	5707292141514
7	1310712	Nylon washer, nature Ø21*10,5*3mm	1	PCS	5707292356345
8	2201520-1	Bloc-O-Lift, 500N	1	PCS	5707292972231
9	3503531	Gas pump lever with clamp	1	PCS	5707292413529
10	0494076	Angling tilt Kudu	1	PCS	5707292587091
11	0380060	Flexible v-brake pipe.	1	PCS	5707292425195
12	0235075	Cable tie, black, 3,6*200mm	1	PCS	5707292135308
13	5002756	Cable for recline, outer 1-4	1	PCS	5707292413673
14	0371853	Strained wires 1,5mm 190 cm.	1	PCS	5707292135889
15	2200050	Small release arm	1	PCS	5707292143075
16	1145070	Lock washer 7mm	2	PCS	5707292140586
17	1350024	Distance piece 14*15*8,2mm	2	PCS	5707292140920
18	80922	Locking pin, Wombat	1	PCS	5707292111388
19	0494658	Warning hand control tilt function	1	PCS	5707292967343

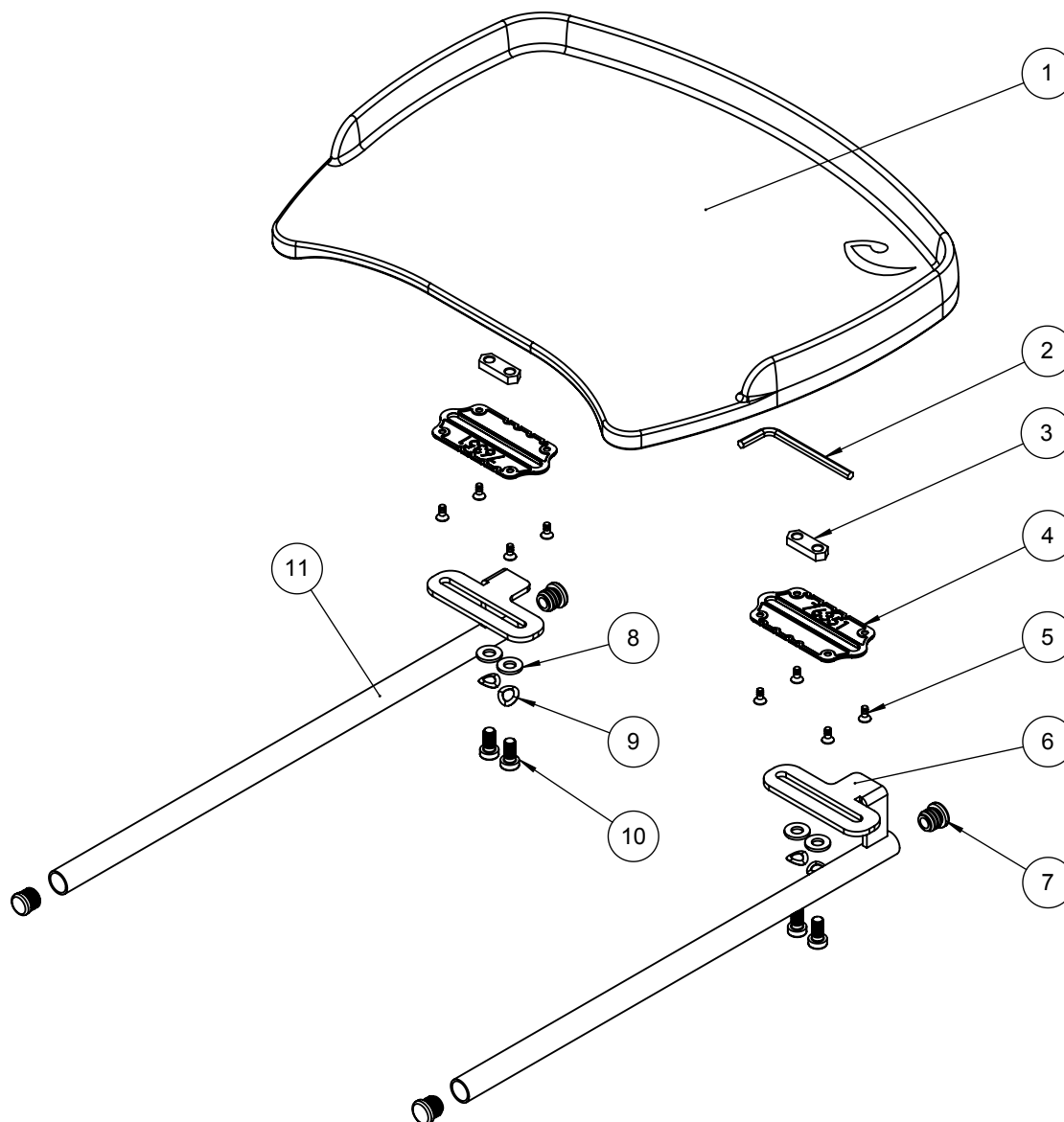
Tray shape 4, tray shape 5 (95125, 95126)



Item numbers for Tray shape 4, transparent, without edge (95125)

Position	No.	Description	Quantity	Unit of Measure	Ean code
172	82865	Mounting for tray, welded, left side	1	PCS	5707292125590
270	0624800	Insex screw counters. 8*16	4	PCS	5707292139054
271	82998	Tray plate, 8 mm acryl	1	PCS	5707292126405
273	2502002	Ferrule d18*0,8-2,5 black	4	PCS	5707292433947
275	6118930	Nut M8	4	PCS	5707292353825
276	82864	Mounting for tray, welded, right side	1	PCS	5707292125583

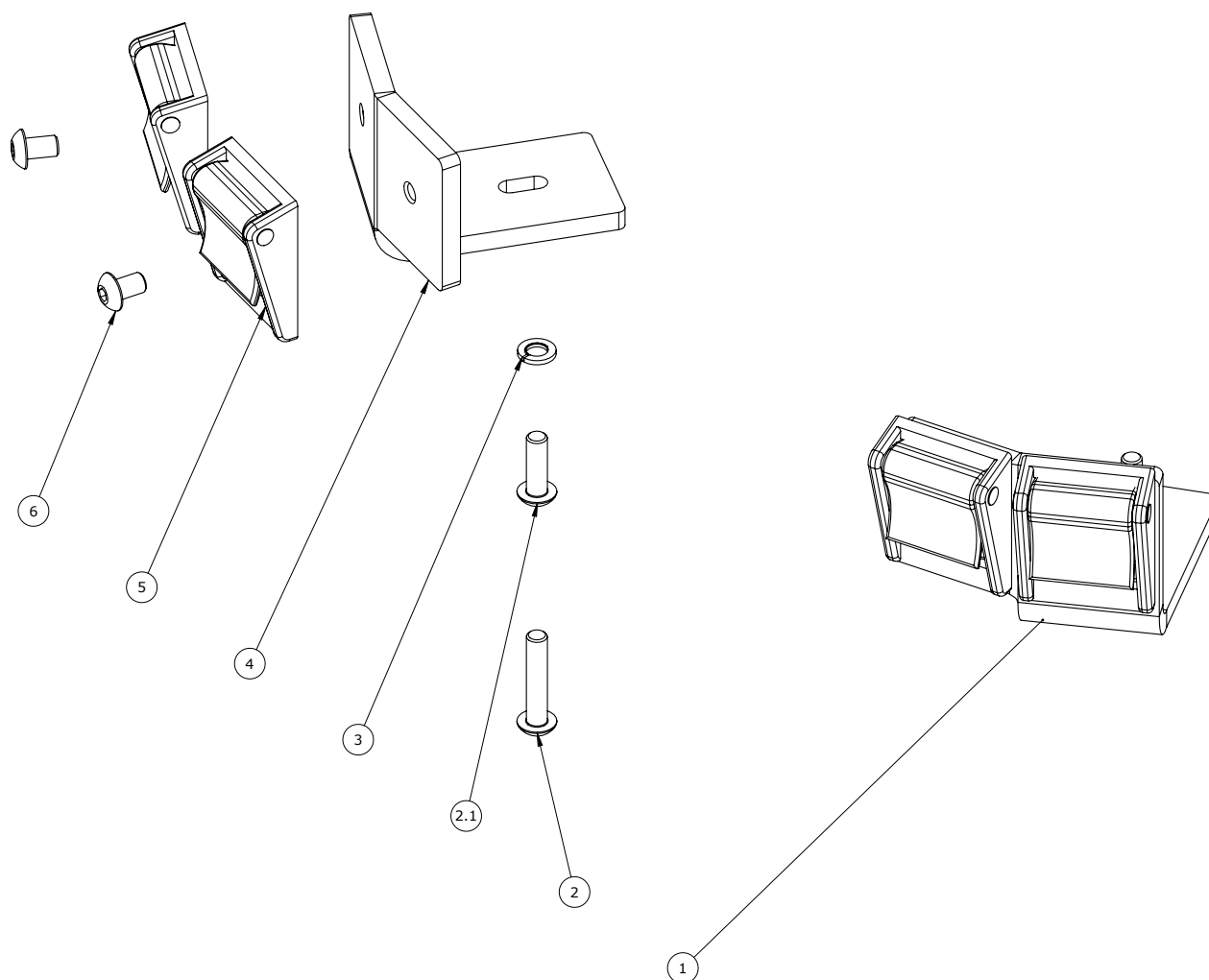
Tray shape 8, with edge (8976350)



Item numbers for Tray shape 8, with edge (8976350)

Position	No.	Description	Quantity	Unit of Measure	Ean code
1	76350	Table for Stingray, Grey	1	PCS	5707292541727
2	0589500	Insex keys n5	1	PCS	5707292137869
3	77557	Slide bar (M8x2)	2	PCS	5707292544995
4	76351	Mounting plate	2	PCS	5707292541741
5	1940011	Plastite 60, 4*8	8	PCS	5707292545978
6+7+11	5075364	Brackets for table sz 4	1	SÆT	5707292543608
8	1105080	Stainless washer 8mm	4	PCS	5707292140364
9	1100500	Spring washer 8mm, stainless	4	PCS	5707292140142
10	0661500	Button head screw 8*16 stainl.	4	PCS	5707292139559

Fix locks for seat (95710)



Item numbers for Fix locks for seat (95710)

Position	No.	Description	Quantity	Unit of Measure	Ean code
1	150226	2x clip holder Right	1	PCS	5707292915382
2	0658025	Button head M5*25 FZB	2	PCS	5707292139412
2.1	0658016	Button head M5*16 stainless	2	PCS	5707292139399
3	1100485	Spring washer M5, stainless	2	PCS	5707292478603
4	150220	2x clip holder Left	1	PCS	5707292915375
5	0445025	25mm press buckle, black	4	PCS	5707292465160
6	0640910	Button head M5*10 FZB	4	PCS	5707292380142

Battery (2222110)

Item numbers for Battery (2222110)

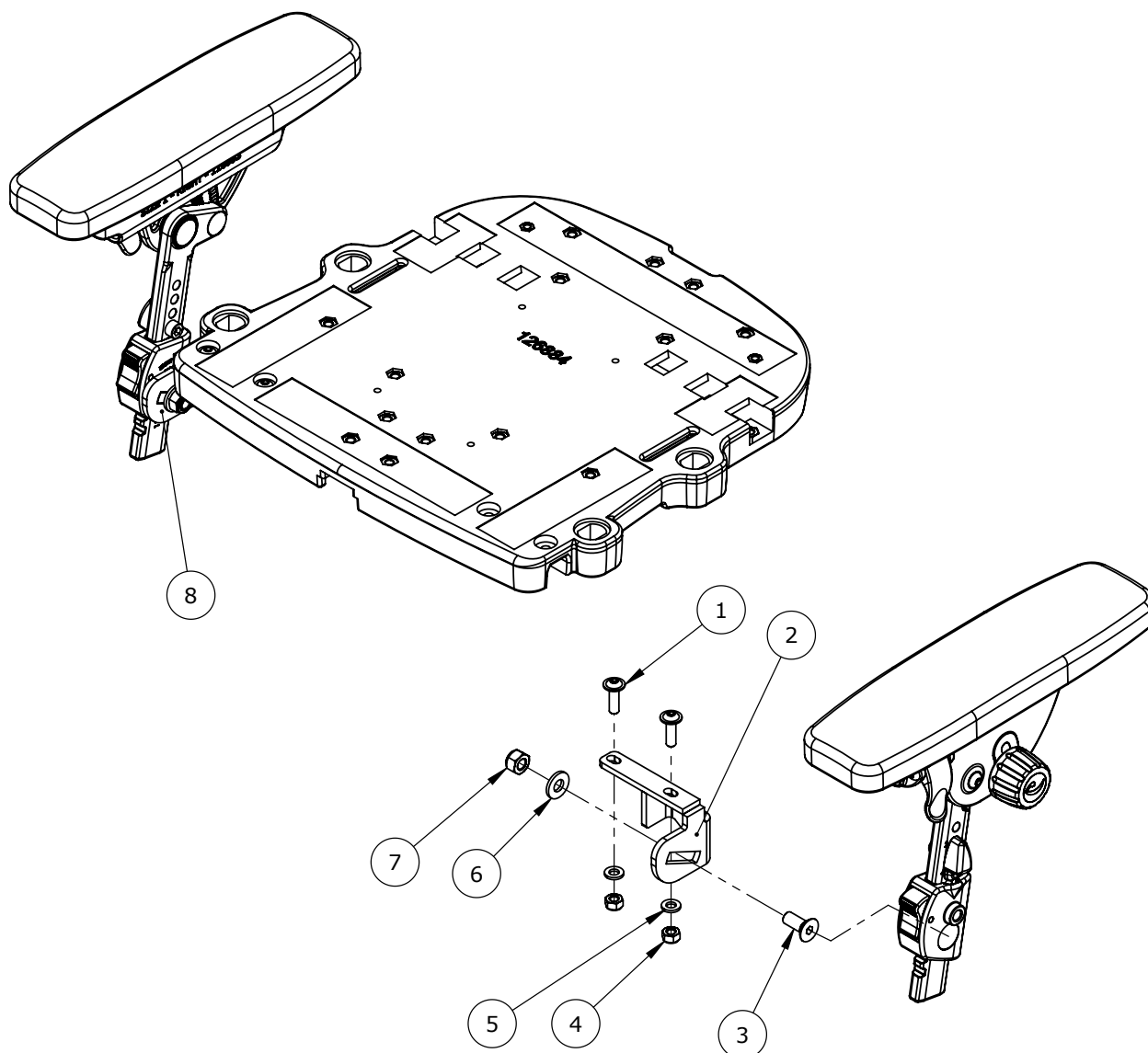
Position	No.	Description	Quantity	Unit of Measure	Ean code
%	2222110	Power unit ba18027, 24 volt, 1.3 ah	1	PCS	5707292492258

Charger with plugs (2222161)

Item numbers for Charger with plugs (2222161)

Position	No.	Description	Quantity	Unit of Measure	Ean code
%	2222161	Charger with plugs	1	PCS	5707292492258

Holders for mounting x:panda arm supports (95112-xp)



Item numbers for Holders for mounting x:panda arm supports (95112-xp)

Position	No.	Description	Quantity	Unit of Measure	Ean code
1	0641621	Button head m/flange M6*20 FZB	4	STK	5707292360960
2	166596	Bracket welded left	1	STK	5707292970022
3	0624801	Insex unders. M8*20 FZB	2	STK	5707292139061
4	1606500	Låsemøtrik 6 mm	4	STK	5707292141361
5	1105060	Rustfri skive 6,4*12*1,6 (a4)	4	STK	5707292140357
6	1102010	Planskive 8,4*18*2 mm, FZB	2	STK	5707292429766
7	1631080	Rustfri låsemøtrik M8	2	STK	5707292141453
8	166587	Bracket welded right	1	STK	5707292970015